

09-17 INTERIOR TRIM

INTERIOR TRIM LOCATION INDEX. 09-17-2

DASHBOARD
REMOVAL/INSTALLATION. 09-17-5
 Bolt F Installation Note 09-17-12

DASHBOARD UPPER PANEL
REMOVAL/INSTALLATION. 09-17-14
 Vehicles Without Bose® 09-17-14
 Vehicles With Bose® 09-17-16

CENTER COVER
REMOVAL/INSTALLATION. 09-17-19

DASHBOARD
DISASSEMBLY/ASSEMBLY. 09-17-21

COLUMN COVER
REMOVAL/INSTALLATION. 09-17-22

CENTER PANEL
REMOVAL/INSTALLATION. 09-17-24

HOLE COVER
REMOVAL/INSTALLATION. 09-17-25
 With Car-navigation system 09-17-25
 Without Car-navigation system 09-17-26

LOWER PANEL
REMOVAL/INSTALLATION. 09-17-27
 Driver-side 09-17-27
 Passenger-side 09-17-29

SIDE PANEL
REMOVAL/INSTALLATION. 09-17-31

GLOVE COMPARTMENT
REMOVAL/INSTALLATION. 09-17-33

VENTILATOR GRILLE
REMOVAL/INSTALLATION. 09-17-34
 Side Ventilator grille 09-17-34
 Center Ventilator grille 09-17-35

KNEE BOLSTER
REMOVAL/INSTALLATION. 09-17-36

SIDE WALL
REMOVAL/INSTALLATION. 09-17-37

DASHBOARD UNDER COVER
REMOVAL/INSTALLATION. 09-17-39

UPPER PANEL
REMOVAL/INSTALLATION. 09-17-40

SHIFT PANEL
REMOVAL/INSTALLATION. 09-17-42
 ATX 09-17-42
 MTX 09-17-44

CONSOLE
REMOVAL/INSTALLATION. 09-17-45

DECORATION PANEL
REMOVAL/INSTALLATION. 09-17-49

A-PILLAR TRIM
REMOVAL/INSTALLATION. 09-17-50

FRONT SIDE TRIM
REMOVAL/INSTALLATION. 09-17-53

TIRE HOUSE TRIM
REMOVAL/INSTALLATION. 09-17-54
 4SD 09-17-54
 5HB 09-17-56

REAR PACKAGE TRIM
REMOVAL/INSTALLATION. 09-17-57

B-PILLAR LOWER TRIM
REMOVAL/INSTALLATION 09-17-59

B-PILLAR UPPER TRIM
REMOVAL/INSTALLATION 09-17-61

C-PILLAR TRIM
REMOVAL/INSTALLATION 09-17-63
 4SD 09-17-63
 5HB 09-17-66

FRONT SCUFF PLATE
REMOVAL/INSTALLATION 09-17-67

REAR SCUFF PLATE
REMOVAL/INSTALLATION 09-17-68

INNER GARNISH
REMOVAL/INSTALLATION 09-17-69

FUEL-FILLER LID OPENER
BEZEL REMOVAL/INSTALLATION 09-17-70

REAR DOOR TRIM
DISASSEMBLY/ASSEMBLY 09-17-71

TRUNK END TRIM
REMOVAL/INSTALLATION 09-17-72
 4SD 09-17-72
 5HB 09-17-73

TRUNK SIDE TRIM
REMOVAL/INSTALLATION 09-17-74
 4SD 09-17-74
 5HB 09-17-76

TRUNK SIDE UPPER TRIM
REMOVAL/INSTALLATION 09-17-78

FRONT DOOR TRIM
REMOVAL/INSTALLATION 09-17-79

FRONT DOOR TRIM
DISASSEMBLY/ASSEMBLY 09-17-86
 Driver-side 09-17-86
 Passenger-side 09-17-87

REAR DOOR TRIM
REMOVAL/INSTALLATION 09-17-88

TRUNK BOARD
REMOVAL/INSTALLATION 09-17-95

LIFTGATE UPPER TRIM
REMOVAL/INSTALLATION 09-17-97

LIFTGATE SIDE TRIM
REMOVAL/INSTALLATION 09-17-99

LIFTGATE LOWER TRIM
REMOVAL/INSTALLATION 09-17-102

TRUNK LID TRIM
REMOVAL/INSTALLATION 09-17-104

ASSIST HANDLE
REMOVAL/INSTALLATION 09-17-104
 Assist Handle Removal 09-17-104
 Assist Handle Installation 09-17-105

SUNVISOR
REMOVAL/INSTALLATION 09-17-106

HEADLINER
REMOVAL/INSTALLATION 09-17-107

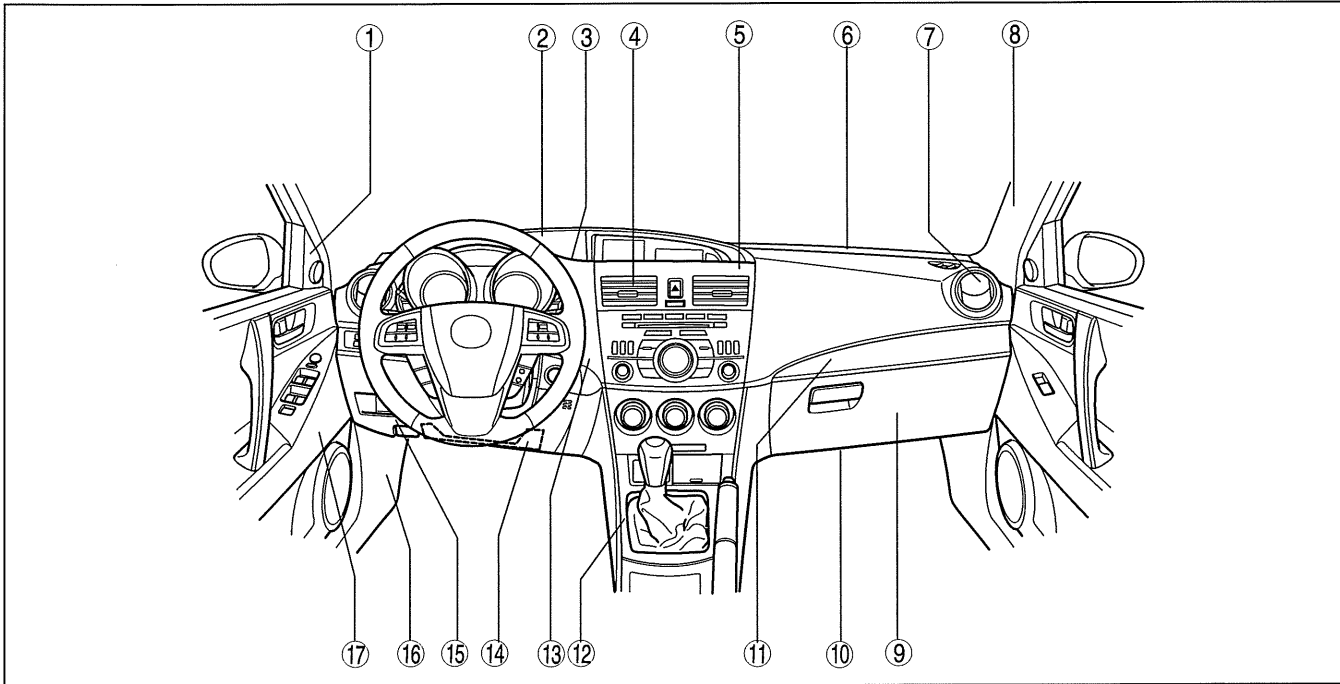
FLOOR COVERING
REMOVAL/INSTALLATION 09-17-110

09-17

INTERIOR TRIM

INTERIOR TRIM LOCATION INDEX

id091700800200



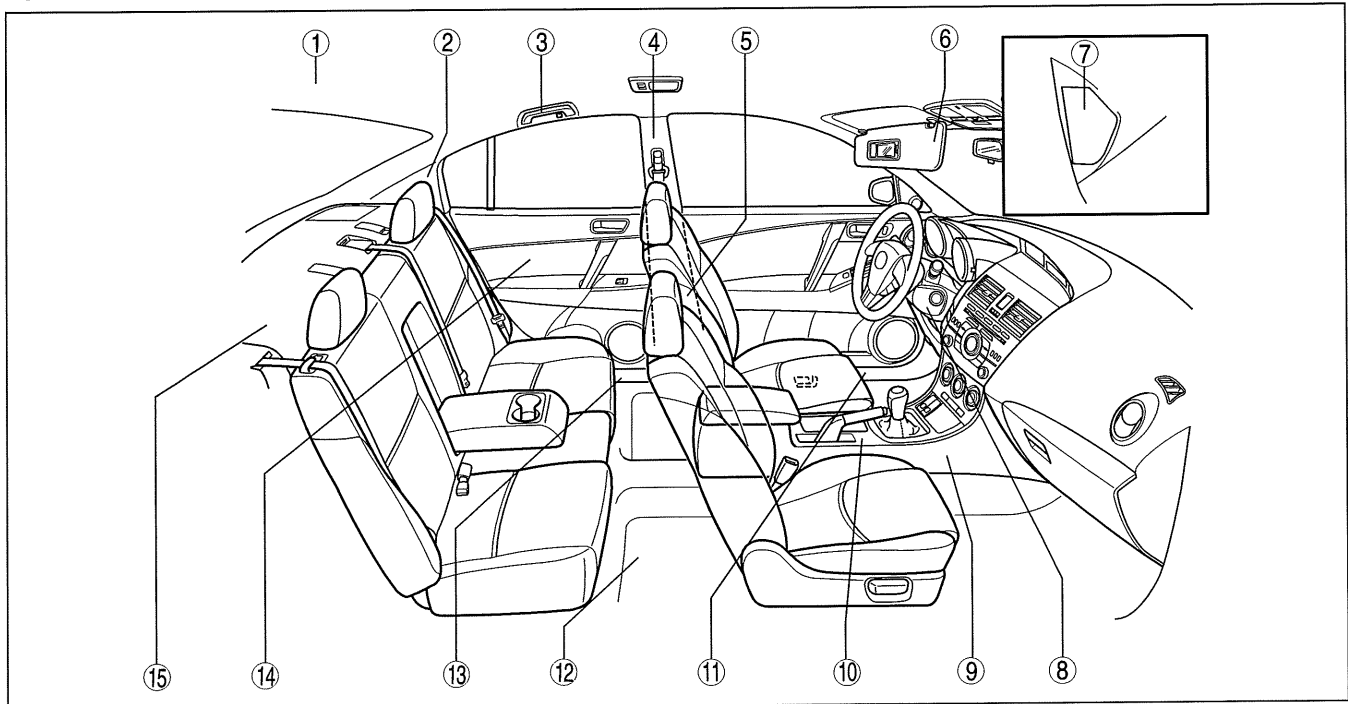
am3uuw0000497

1	Inner garnish (See 09-17-69 INNER GARNISH REMOVAL/ INSTALLATION.)
2	Hole cover (See 09-17-25 HOLE COVER REMOVAL/ INSTALLATION.)
3	Dash board upper panel (See 09-17-14 DASHBOARD UPPER PANEL REMOVAL/INSTALLATION.)
4	Center ventilator grille (See 09-17-34 VENTILATOR GRILLE REMOVAL/ INSTALLATION.)
5	Center panel (See 09-17-24 CENTER PANEL REMOVAL/ INSTALLATION.)
6	Dashboard (See 09-17-5 DASHBOARD REMOVAL/ INSTALLATION.) (See 09-17-21 DASHBOARD DISASSEMBLY/ ASSEMBLY.)
7	Side ventilator grille (See 09-17-34 VENTILATOR GRILLE REMOVAL/ INSTALLATION.)
8	A-pillar trim (See 09-17-50 A-PILLAR TRIM REMOVAL/ INSTALLATION.)
9	Glove compartment (See 09-17-33 GLOVE COMPARTMENT REMOVAL/INSTALLATION.)

10	Dashboard under cover (See 09-17-39 DASHBOARD UNDER COVER REMOVAL/INSTALLATION.)
11	Decoration panel (See 09-17-49 DECORATION PANEL REMOVAL/ INSTALLATION.)
12	Shift panel (See 09-17-42 SHIFT PANEL REMOVAL/ INSTALLATION.)
13	Center cover (See 09-17-19 CENTER COVER REMOVAL/ INSTALLATION.)
14	Knee bolster (See 09-17-36 KNEE BOLSTER REMOVAL/ INSTALLATION.)
15	Lower panel (See 09-17-27 LOWER PANEL REMOVAL/ INSTALLATION.)
16	Front side trim (See 09-17-53 FRONT SIDE TRIM REMOVAL/ INSTALLATION.)
17	Front door trim (See 09-17-79 FRONT DOOR TRIM REMOVAL/ INSTALLATION.) (See 09-17-86 FRONT DOOR TRIM DISASSEMBLY/ASSEMBLY.)

INTERIOR TRIM

4SD



am3uuw0000497

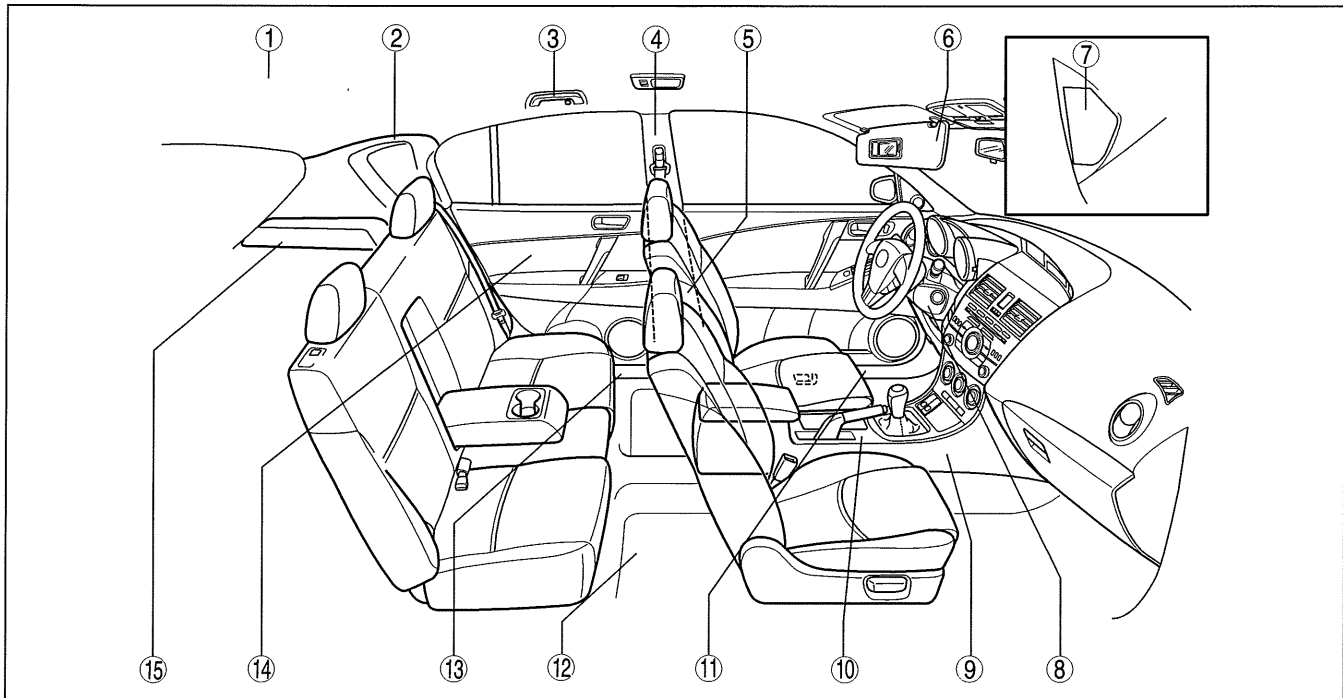
1	Headliner (See 09-17-107 HEADLINER REMOVAL/ INSTALLATION.)
2	C-pillar trim (See 09-17-63 C-PILLAR TRIM REMOVAL/ INSTALLATION.)
3	Assist handle (See 09-17-104 ASSIST HANDLE REMOVAL/ INSTALLATION.)
4	B-pillar upper trim (See 09-17-61 B-PILLAR UPPER TRIM REMOVAL/ INSTALLATION.)
5	B-pillar lower trim (See 09-17-59 B-PILLAR LOWER TRIM REMOVAL/ INSTALLATION.)
6	Sunvisor (See 09-17-106 SUNVISOR REMOVAL/ INSTALLATION.)
7	Side panel (See 09-17-31 SIDE PANEL REMOVAL/ INSTALLATION.)
8	Column cover (See 09-17-22 COLUMN COVER REMOVAL/ INSTALLATION.)

9	Console (See 09-17-45 CONSOLE REMOVAL/ INSTALLATION.)
10	Upper panel (See 09-17-40 UPPER PANEL REMOVAL/ INSTALLATION.)
11	Front scuff plate (See 09-17-67 FRONT SCUFF PLATE REMOVAL/ INSTALLATION.)
12	Floor covering (See 09-17-110 FLOOR COVERING REMOVAL/ INSTALLATION.)
13	Rear scuff plate (See 09-17-68 REAR SCUFF PLATE REMOVAL/ INSTALLATION.)
14	Rear door trim (See 09-17-88 REAR DOOR TRIM REMOVAL/ INSTALLATION.) (See 09-17-71 REAR DOOR TRIM DISASSEMBLY/ ASSEMBLY.)
15	Rear package trim (See 09-17-57 REAR PACKAGE TRIM REMOVAL/ INSTALLATION.)

09-17

INTERIOR TRIM

5HB

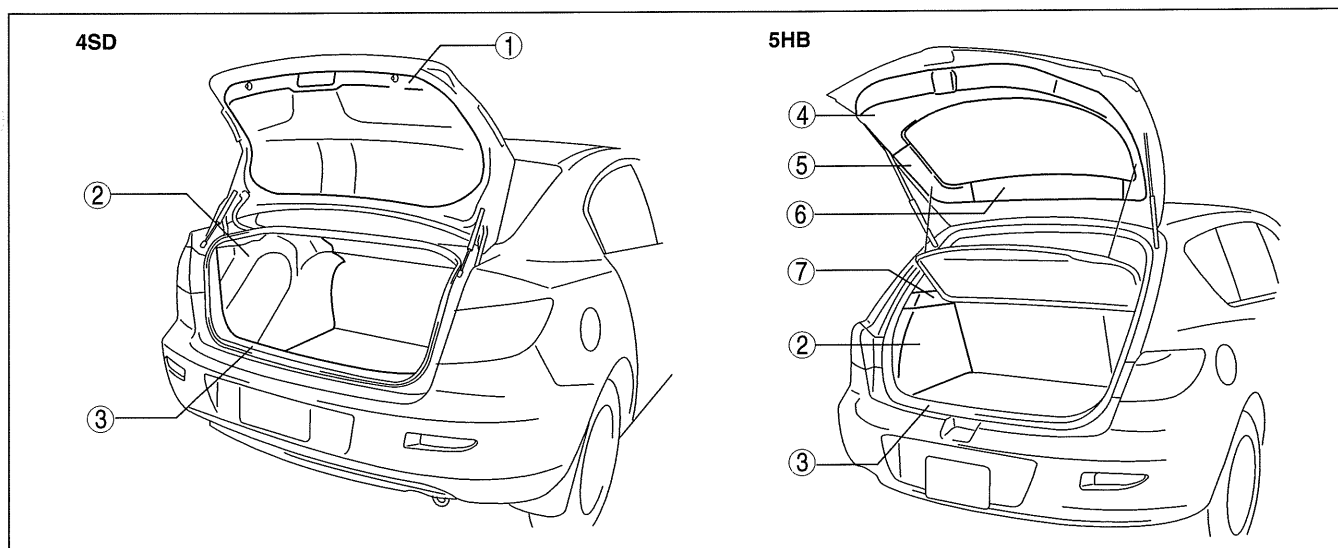


am3uuw0000524

1	Headliner (See 09-17-107 HEADLINER REMOVAL/ INSTALLATION.)
2	C-pillar trim (See 09-17-63 C-PILLAR TRIM REMOVAL/ INSTALLATION.)
3	Assist handle (See 09-17-104 ASSIST HANDLE REMOVAL/ INSTALLATION.)
4	B-pillar upper trim (See 09-17-61 B-PILLAR UPPER TRIM REMOVAL/ INSTALLATION.)
5	B-pillar lower trim (See 09-17-59 B-PILLAR LOWER TRIM REMOVAL/ INSTALLATION.)
6	Sunvisor (See 09-17-106 SUNVISOR REMOVAL/ INSTALLATION.)
7	Side panel (See 09-17-31 SIDE PANEL REMOVAL/ INSTALLATION.)
8	Column cover (See 09-17-22 COLUMN COVER REMOVAL/ INSTALLATION.)

9	Console (See 09-17-45 CONSOLE REMOVAL/ INSTALLATION.)
10	Upper panel (See 09-17-40 UPPER PANEL REMOVAL/ INSTALLATION.)
11	Front scuff plate (See 09-17-67 FRONT SCUFF PLATE REMOVAL/ INSTALLATION.)
12	Floor covering (See 09-17-110 FLOOR COVERING REMOVAL/ INSTALLATION.)
13	Rear scuff plate (See 09-17-68 REAR SCUFF PLATE REMOVAL/ INSTALLATION.)
14	Rear door trim (See 09-17-88 REAR DOOR TRIM REMOVAL/ INSTALLATION.) (See 09-17-71 REAR DOOR TRIM DISASSEMBLY/ ASSEMBLY.)
15	Trunk side upper trim (See 09-17-78 TRUNK SIDE UPPER TRIM REMOVAL/INSTALLATION.)

INTERIOR TRIM



am3uuw0000497

1	Trunk lid trim (See 09-17-104 TRUNK LID TRIM REMOVAL/INSTALLATION.)
2	Trunk side trim (See 09-17-74 TRUNK SIDE TRIM REMOVAL/INSTALLATION.)
3	Trunk end trim (See 09-17-72 TRUNK END TRIM REMOVAL/INSTALLATION.)
4	Liftgate lower trim (See 09-17-102 LIFTGATE LOWER TRIM REMOVAL/INSTALLATION.)

5	Liftgate side trim (See 09-17-99 LIFTGATE SIDE TRIM REMOVAL/INSTALLATION.)
6	Liftgate upper trim (See 09-17-97 LIFTGATE UPPER TRIM REMOVAL/INSTALLATION.)
7	Trunk side upper trim (See 09-17-78 TRUNK SIDE UPPER TRIM REMOVAL/INSTALLATION.)

09-17

DASHBOARD REMOVAL/INSTALLATION

id091700800300

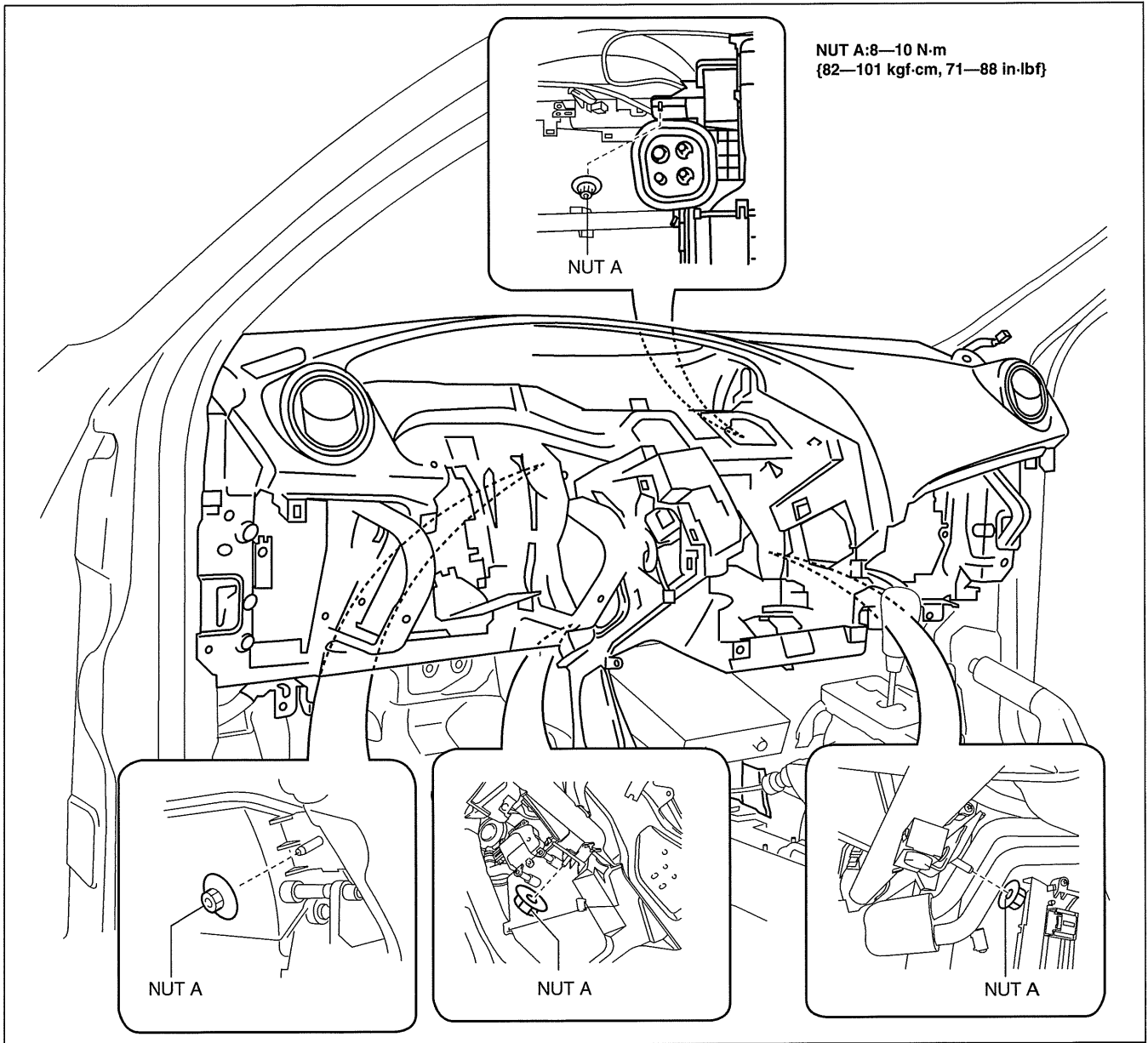
1. Set the air intake mode to FRESH.
2. Set the air mix mode to MAX COLD.
3. Disconnect the negative battery cable.
4. Remove the following parts:
 - (1) Front doors (See 09-11-3 FRONT DOOR REMOVAL/INSTALLATION.)
 - (2) Front scuff plate (See 09-17-67 FRONT SCUFF PLATE REMOVAL/INSTALLATION.)
 - (3) Front side trim (See 09-17-53 FRONT SIDE TRIM REMOVAL/INSTALLATION.)
 - (4) Dashboard under cover (See 09-17-39 DASHBOARD UNDER COVER REMOVAL/INSTALLATION.)
 - (5) Glove compartment (See 09-17-33 GLOVE COMPARTMENT REMOVAL/INSTALLATION.)
 - (6) Upper panel (See 09-17-40 UPPER PANEL REMOVAL/INSTALLATION.)
 - (7) Shift lever knob (MTX) (See 05-16-2 MANUAL TRANSAXLE SHIFT MECHANISM REMOVAL/INSTALLATION.)
 - (8) Selector lever knob (ATX) (See 05-18-2 AUTOMATIC TRANSAXLE SHIFT MECHANISM REMOVAL/INSTALLATION.)
 - (9) Shift panel (See 09-17-42 SHIFT PANEL REMOVAL/INSTALLATION.)
 - (10) Side wall (See 09-17-37 SIDE WALL REMOVAL/INSTALLATION.)
 - (11) Console (See 09-17-45 CONSOLE REMOVAL/INSTALLATION.)
 - (12) Shift lever component (MTX) (See 05-16-2 MANUAL TRANSAXLE SHIFT MECHANISM REMOVAL/INSTALLATION.)
 - (13) Selector lever component (ATX) (See 05-18-2 AUTOMATIC TRANSAXLE SHIFT MECHANISM REMOVAL/INSTALLATION.)
 - (14) Hood release lever (See 09-14-15 HOOD LATCH AND RELEASE LEVER REMOVAL/INSTALLATION.)
 - (15) Lower panel (See 09-17-27 LOWER PANEL REMOVAL/INSTALLATION.)
 - (16) Knee bolster (See 09-17-36 KNEE BOLSTER REMOVAL/INSTALLATION.)
 - (17) Driver-side air bag module (See 08-10-7 DRIVER-SIDE AIR BAG MODULE REMOVAL/INSTALLATION.)

INTERIOR TRIM

- (18)Steering wheel (See 06-14-8 STEERING WHEEL AND COLUMN REMOVAL/INSTALLATION [WITHOUT ADVANCED KEYLESS ENTRY AND PUSH BUTTON START SYSTEM].) (See 06-14-11 STEERING WHEEL AND COLUMN REMOVAL/INSTALLATION [WITH ADVANCED KEYLESS ENTRY AND PUSH BUTTON START SYSTEM].)
 - (19)Column cover (See 09-17-22 COLUMN COVER REMOVAL/INSTALLATION.)
 - (20)Combination switch (See 09-18-56 COMBINATION SWITCH REMOVAL/INSTALLATION.)
 - (21)Joint cover (See 06-14-8 STEERING WHEEL AND COLUMN REMOVAL/INSTALLATION [WITHOUT ADVANCED KEYLESS ENTRY AND PUSH BUTTON START SYSTEM].) (See 06-14-11 STEERING WHEEL AND COLUMN REMOVAL/INSTALLATION [WITH ADVANCED KEYLESS ENTRY AND PUSH BUTTON START SYSTEM].)
 - (22)Steering shaft (See 06-14-8 STEERING WHEEL AND COLUMN REMOVAL/INSTALLATION [WITHOUT ADVANCED KEYLESS ENTRY AND PUSH BUTTON START SYSTEM].) (See 06-14-11 STEERING WHEEL AND COLUMN REMOVAL/INSTALLATION [WITH ADVANCED KEYLESS ENTRY AND PUSH BUTTON START SYSTEM].)
 - (23)Center panel (See 09-17-24 CENTER PANEL REMOVAL/INSTALLATION.)
 - (24)Audio unit (See 09-20-4 AUDIO UNIT REMOVAL/INSTALLATION.)
 - (25)Climate control unit (See 07-40A-26 CLIMATE CONTROL UNIT REMOVAL/INSTALLATION [FULL-AUTO AIR CONDITIONER].) (See 07-40B-17 CLIMATE CONTROL UNIT REMOVAL/INSTALLATION [MANUAL AIR CONDITIONER].)
 - (26)Instrument cluster (See 09-22-3 INSTRUMENT CLUSTER REMOVAL/INSTALLATION.)
 - (27)Center cover (See 09-17-19 CENTER COVER REMOVAL/INSTALLATION.)
 - (28)Dashboard upper panel (See 09-17-14 DASHBOARD UPPER PANEL REMOVAL/INSTALLATION.)
 - (29)Hole cover (See 09-17-25 HOLE COVER REMOVAL/INSTALLATION.)
 - (30)Information display (See 09-22-13 INFORMATION DISPLAY REMOVAL/INSTALLATION.)
 - (31)A-pillar trim (See 09-17-50 A-PILLAR TRIM REMOVAL/INSTALLATION.)
 - (32)Windshield wiper arm and blade (See 09-19-3 WINDSHIELD WIPER ARM AND BLADE REMOVAL/INSTALLATION.)
 - (33)Front fender molding (See 09-16-4 COWL GRILLE REMOVAL/INSTALLATION.)
 - (34)Cowl grille (See 09-16-4 COWL GRILLE REMOVAL/INSTALLATION.)
 - (35)Windshield wiper motor (See 09-19-5 WINDSHIELD WIPER MOTOR REMOVAL/INSTALLATION.)
5. Disconnect The blower motor connector. (See 07-40A-9 BLOWER MOTOR REMOVAL [FULL-AUTO AIR CONDITIONER].) (See 07-40A-13 BLOWER MOTOR INSTALLATION [FULL-AUTO AIR CONDITIONER].) (See 07-40B-4 BLOWER MOTOR REMOVAL [MANUAL AIR CONDITIONER].) (See 07-40B-7 BLOWER MOTOR INSTALLATION [MANUAL AIR CONDITIONER].)
 6. Disconnect the dashboard harness connectors.
 7. Remove the shower duct. (See 07-11-4 A/C UNIT REMOVAL/INSTALLATION)

INTERIOR TRIM

8. Remove the nuts A.

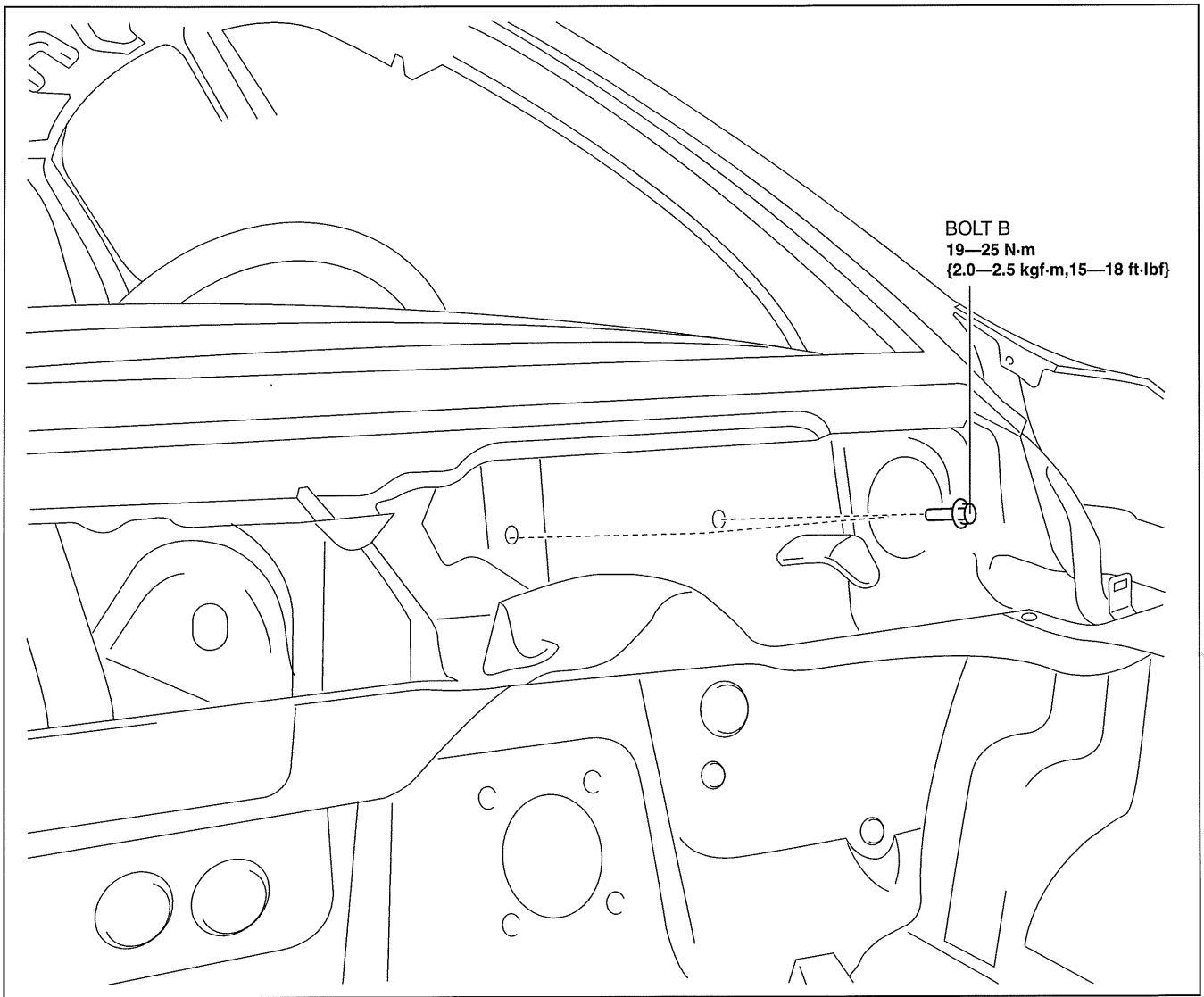


09-17

am3uuw0000546

9. Remove the bolts B.

INTERIOR TRIM

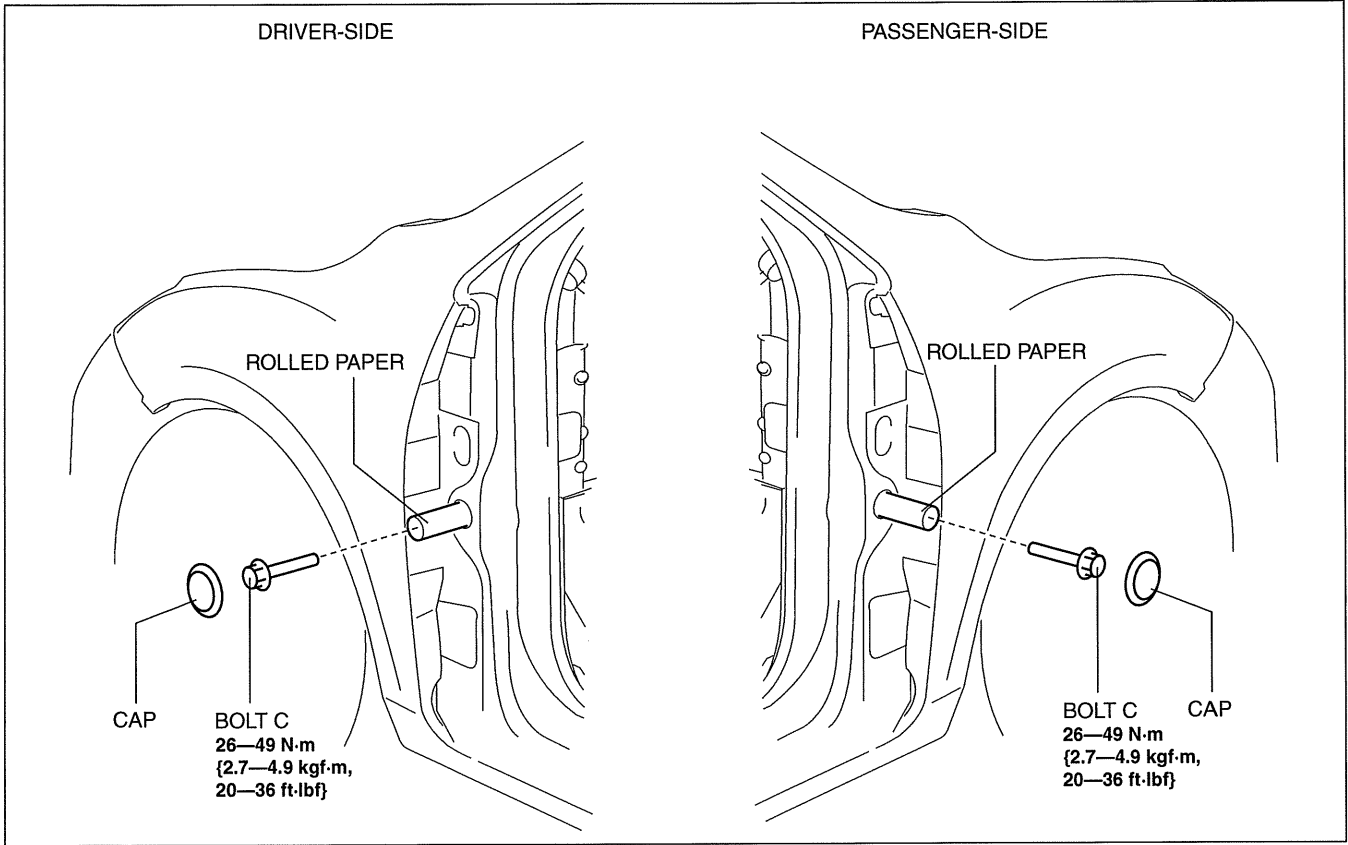


BOLT B
19—25 N·m
{2.0—2.5 kgf·m, 15—18 ft·lbf}

am3uuw0000546

INTERIOR TRIM

10. Remove the caps then set the rolled paper.
11. Remove the bolts C.

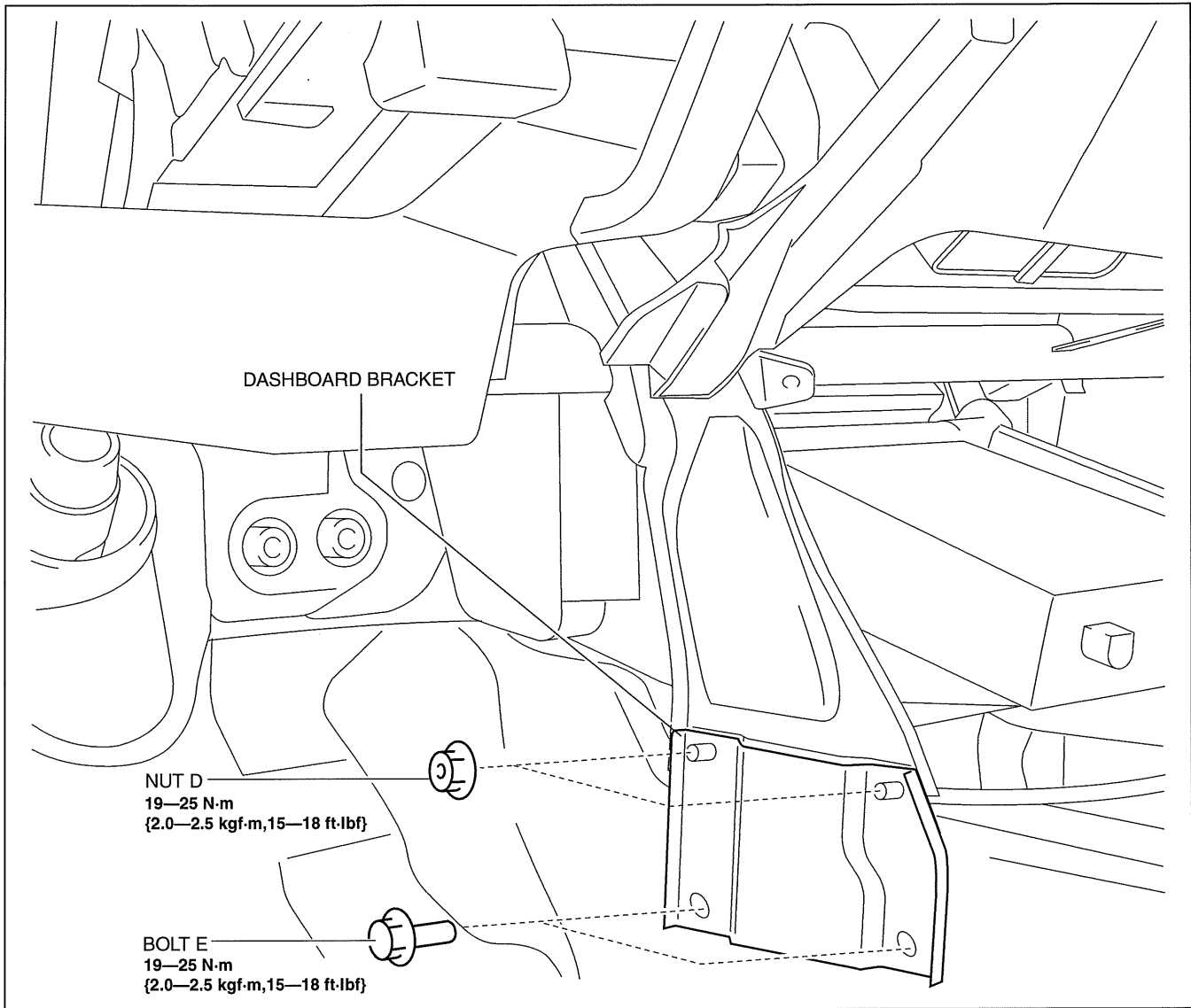


am3uuw0000516

09-17

INTERIOR TRIM

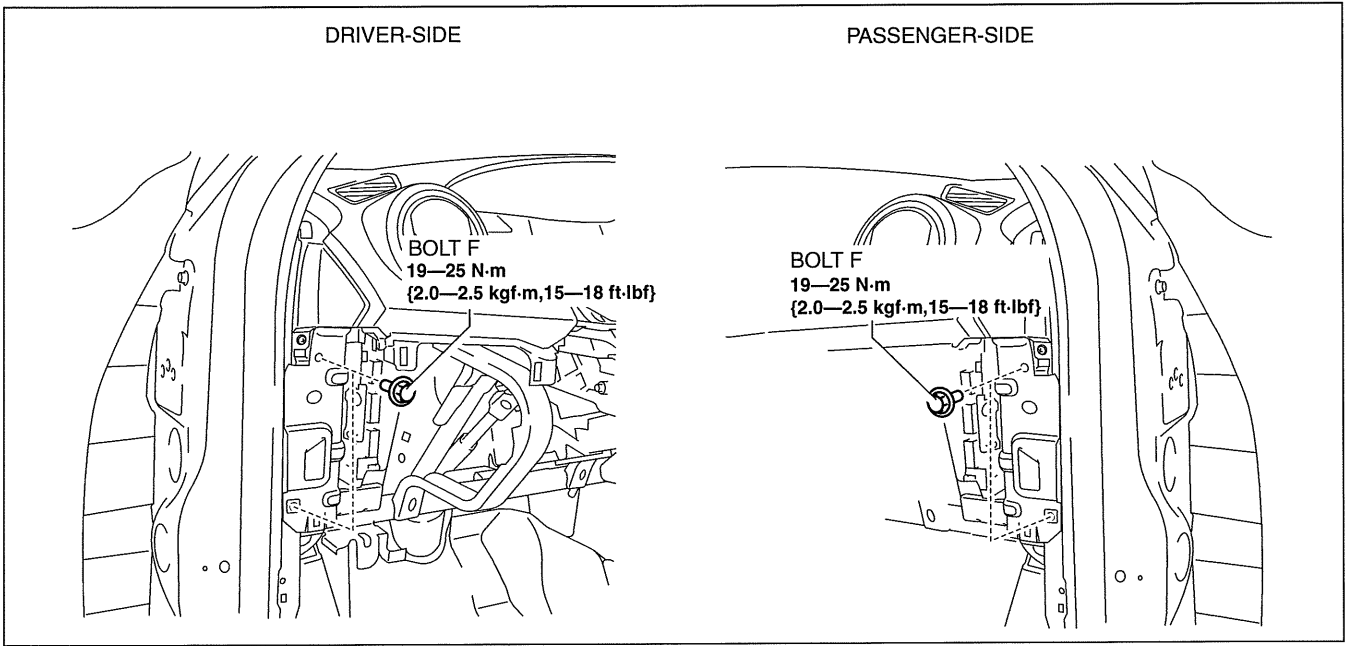
12. Remove the nuts D and bolts E then remove the dashboard bracket.



am3uuw0000546

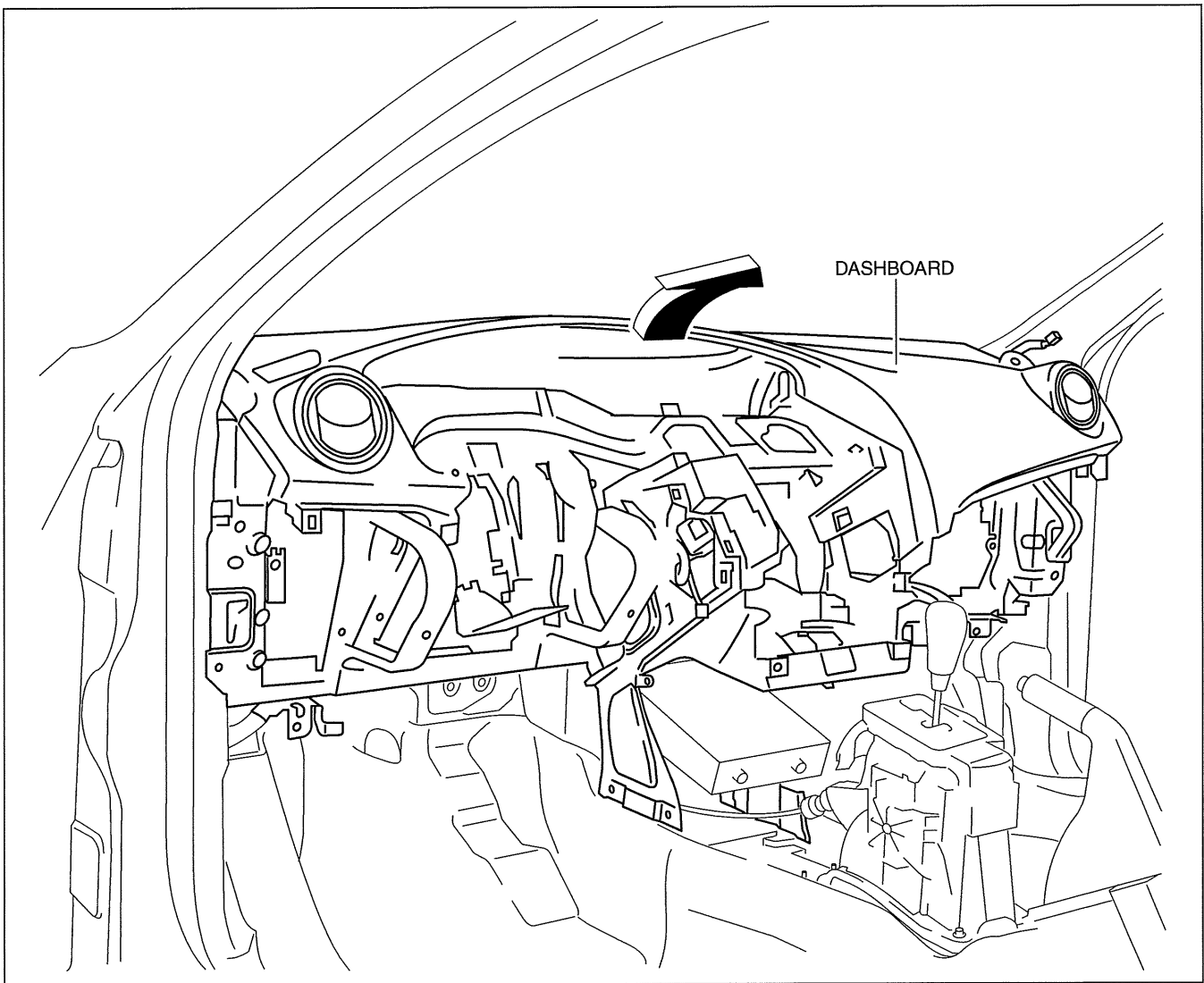
INTERIOR TRIM

13. Remove the bolts F. (See 09-17-12 Bolt F Installation Note)



am3uuw000516

14. Raise the back side of the dashboard rotate it in the direction of the arrow shown in the figure.



am3uuw000491

09-17

INTERIOR TRIM

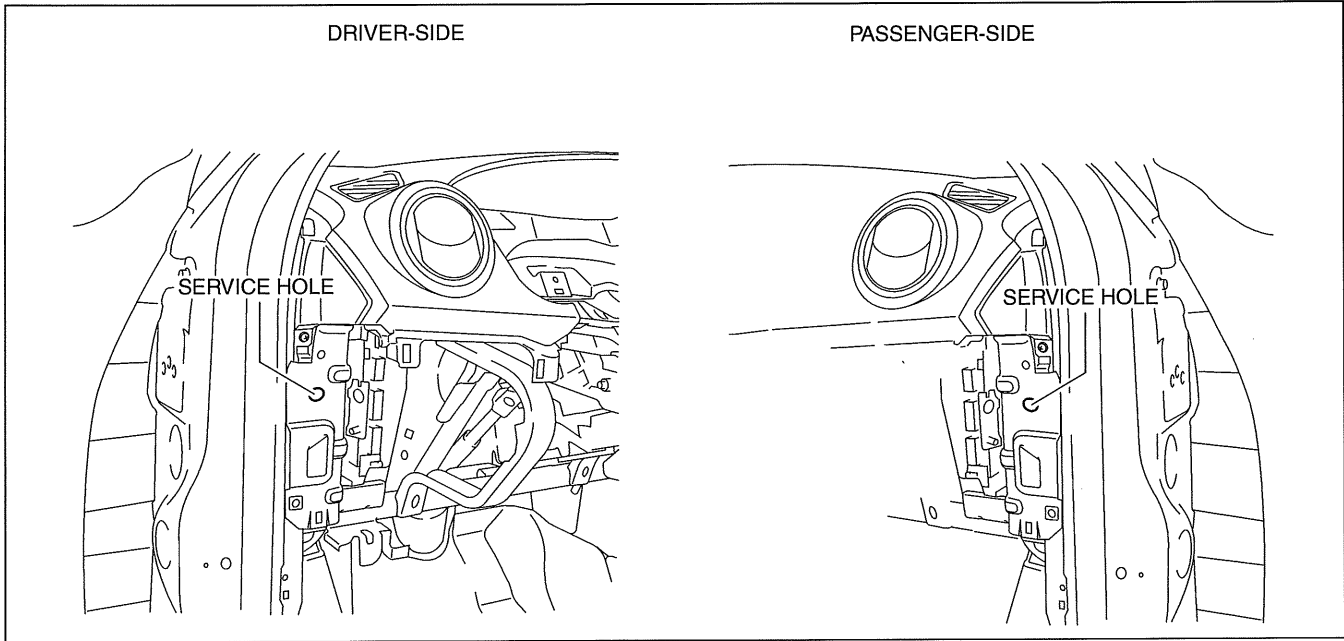
Warning

- Removing the dashboard without supporting it can be dangerous. The dashboard may fall and injure you. Always perform the following procedure with at least another person.

15. Remove the dashboard.
16. Take the dashboard off from the front driver-side door opening.
17. Install in the reverse order of removal.

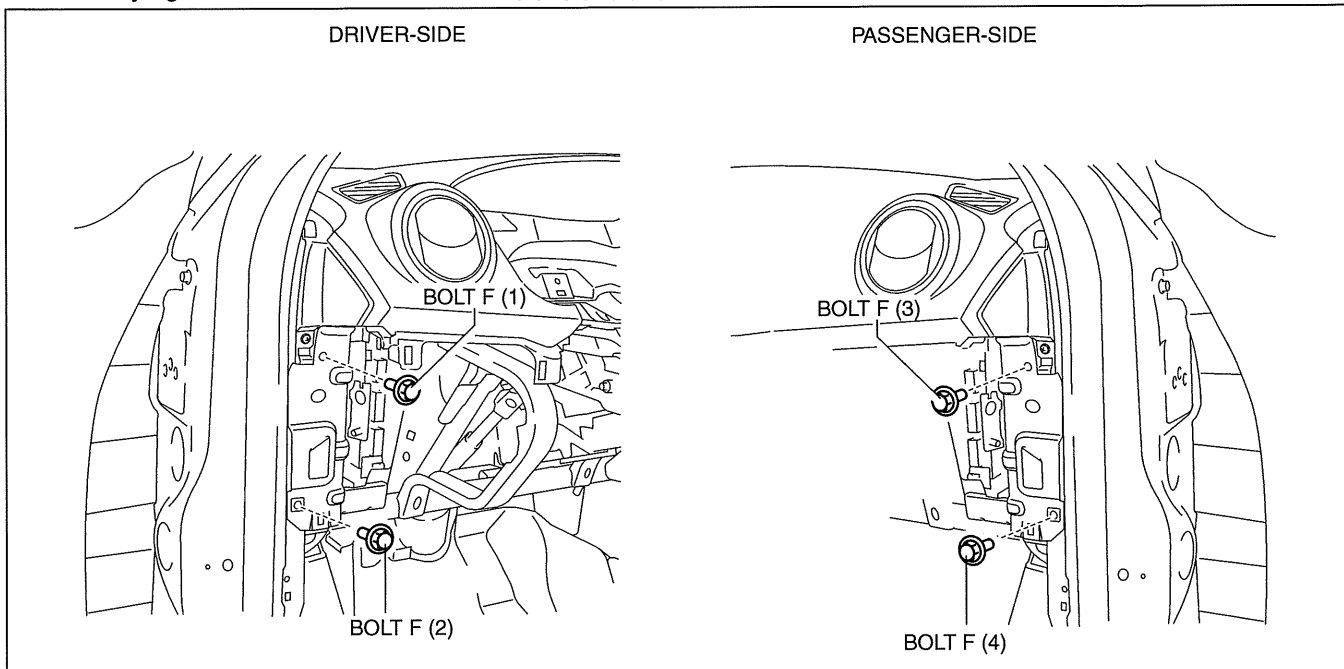
Bolt F Installation Note

1. Fit the service hole of dashboard and hinge pillar inner shown in the figure.



am3uuw0000491

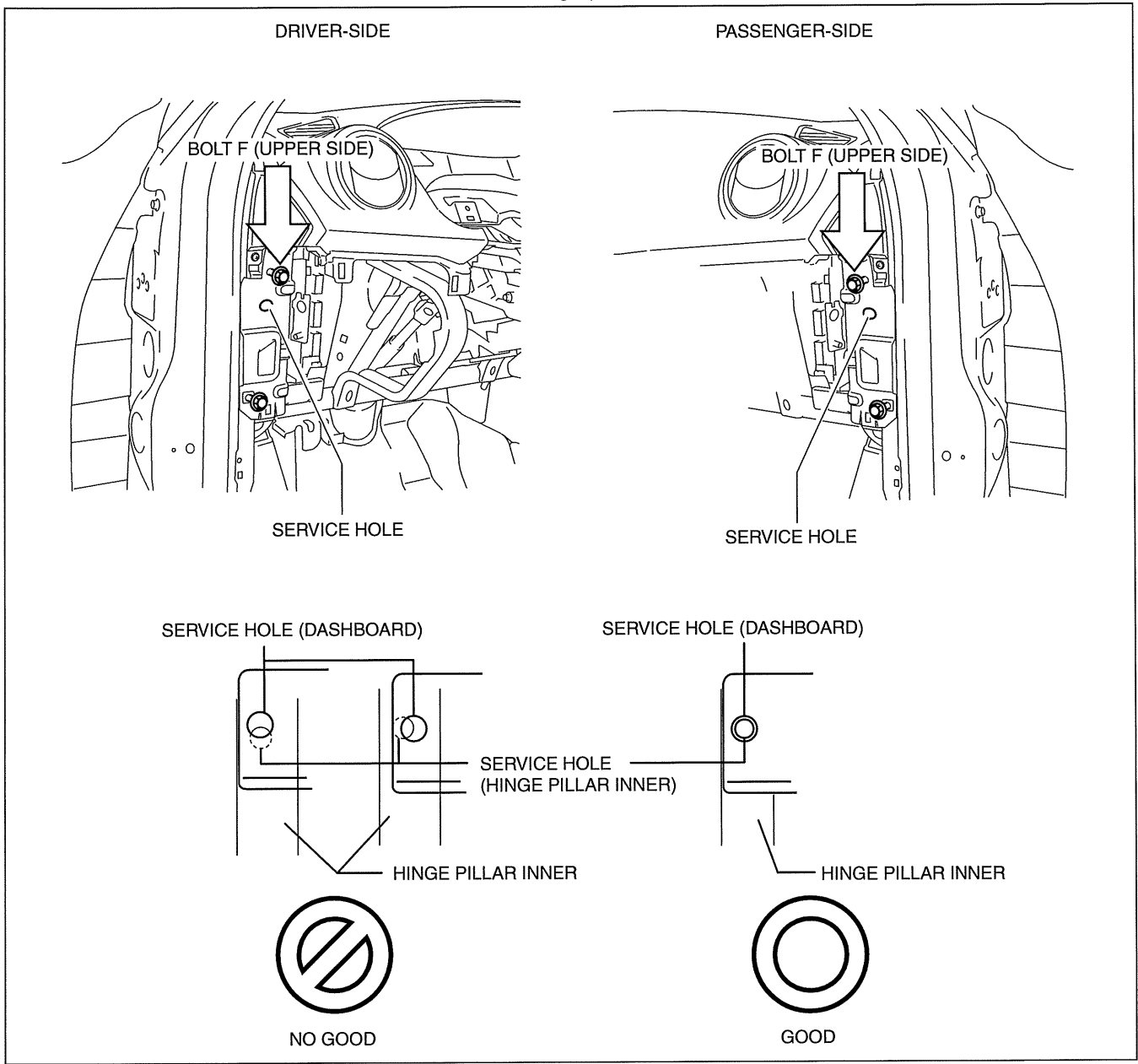
2. Partially tighten the bolts F in the order (1), (2), (3), (4) shown in the figure.



am3uuw0000528

INTERIOR TRIM

3. Reconfirms fit the service hole of dashboard and hinge pillar inner, then tighten the upper side bolt F.



09-17

4. Tighten the all of bolts F.

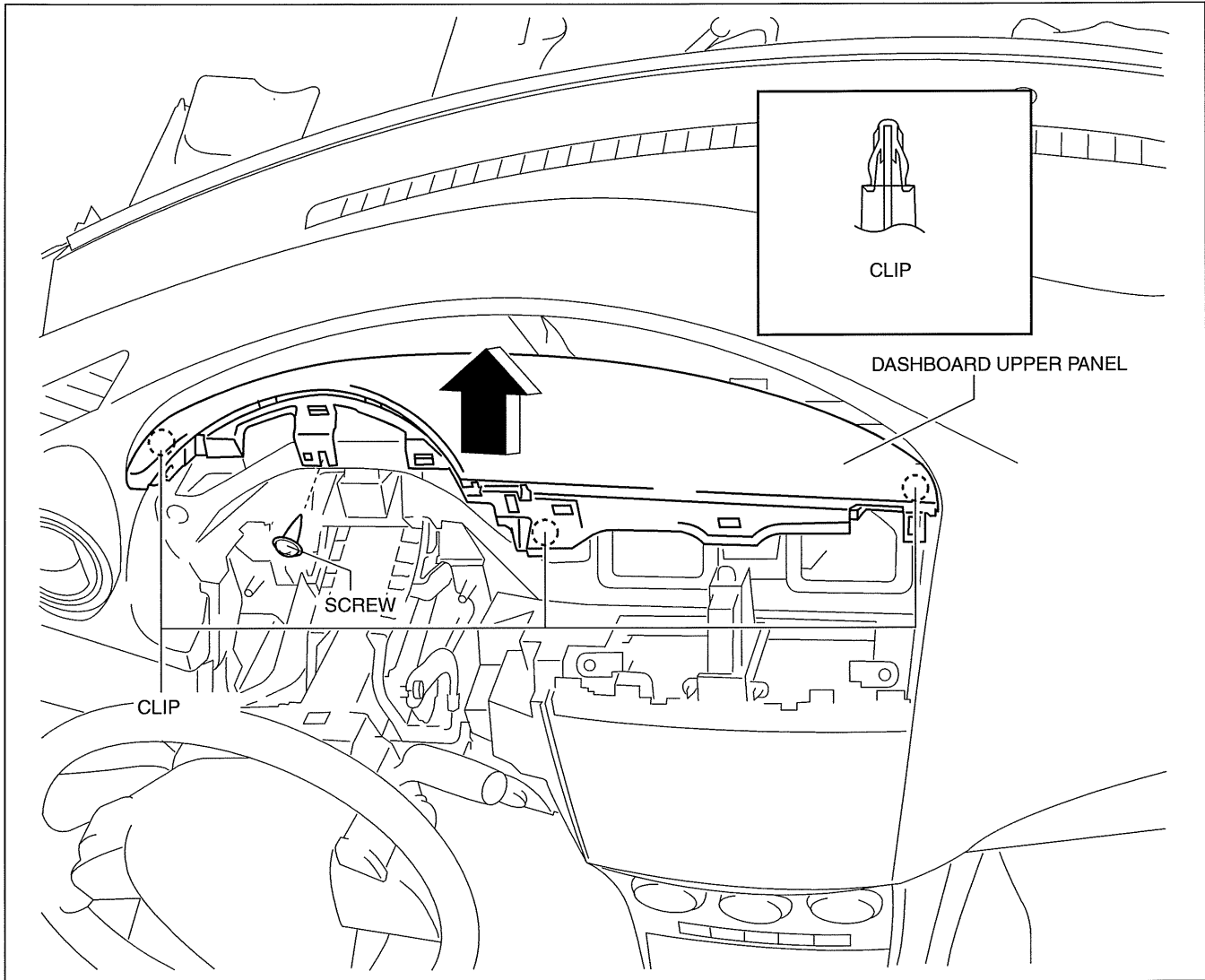
INTERIOR TRIM

DASHBOARD UPPER PANEL REMOVAL/INSTALLATION

id091700989100

Vehicles Without Bose®

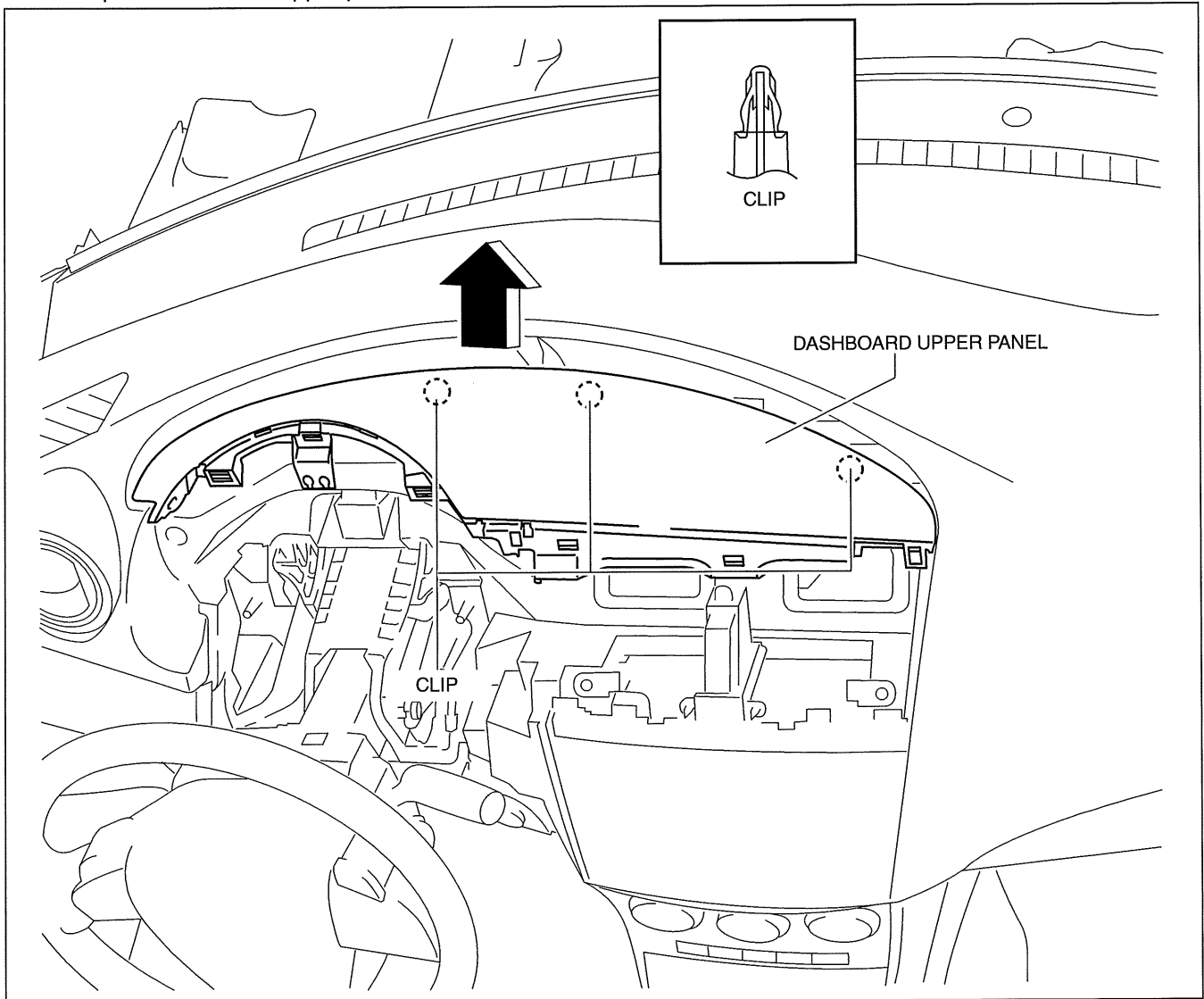
1. Disconnect the negative battery cable.
2. Remove the following parts:
 - (1) Upper column cover (See 09-17-22 COLUMN COVER REMOVAL/INSTALLATION.)
 - (2) Instrument cluster (See 09-22-3 INSTRUMENT CLUSTER REMOVAL/INSTALLATION.)
 - (3) Center panel (See 09-17-24 CENTER PANEL REMOVAL/INSTALLATION.)
 - (4) Center cover (See 09-17-19 CENTER COVER REMOVAL/INSTALLATION.)
3. Remove the screw.
4. Pull up the dashboard upper panel in the direction of arrow shown in the figure, then remove the clips.



am3uuw000465

INTERIOR TRIM

5. Pull up the dashboard upper panel in the direction of arrow shown in the figure, then remove the clips.



am3uuw0000465

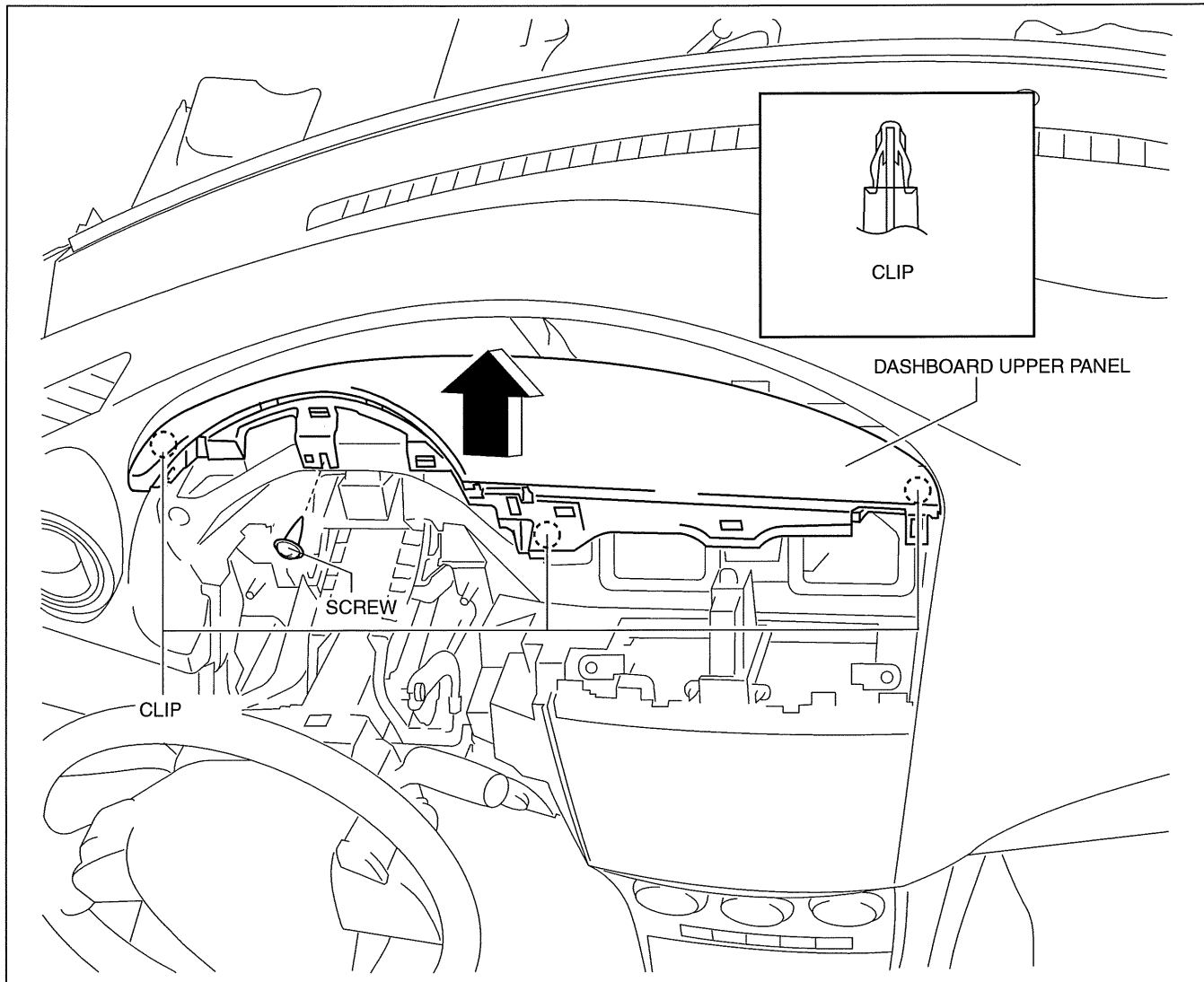
6. Remove the dashboard upper panel.
7. Install in the reverse order of removal.

09-17

INTERIOR TRIM

Vehicles With Bose®

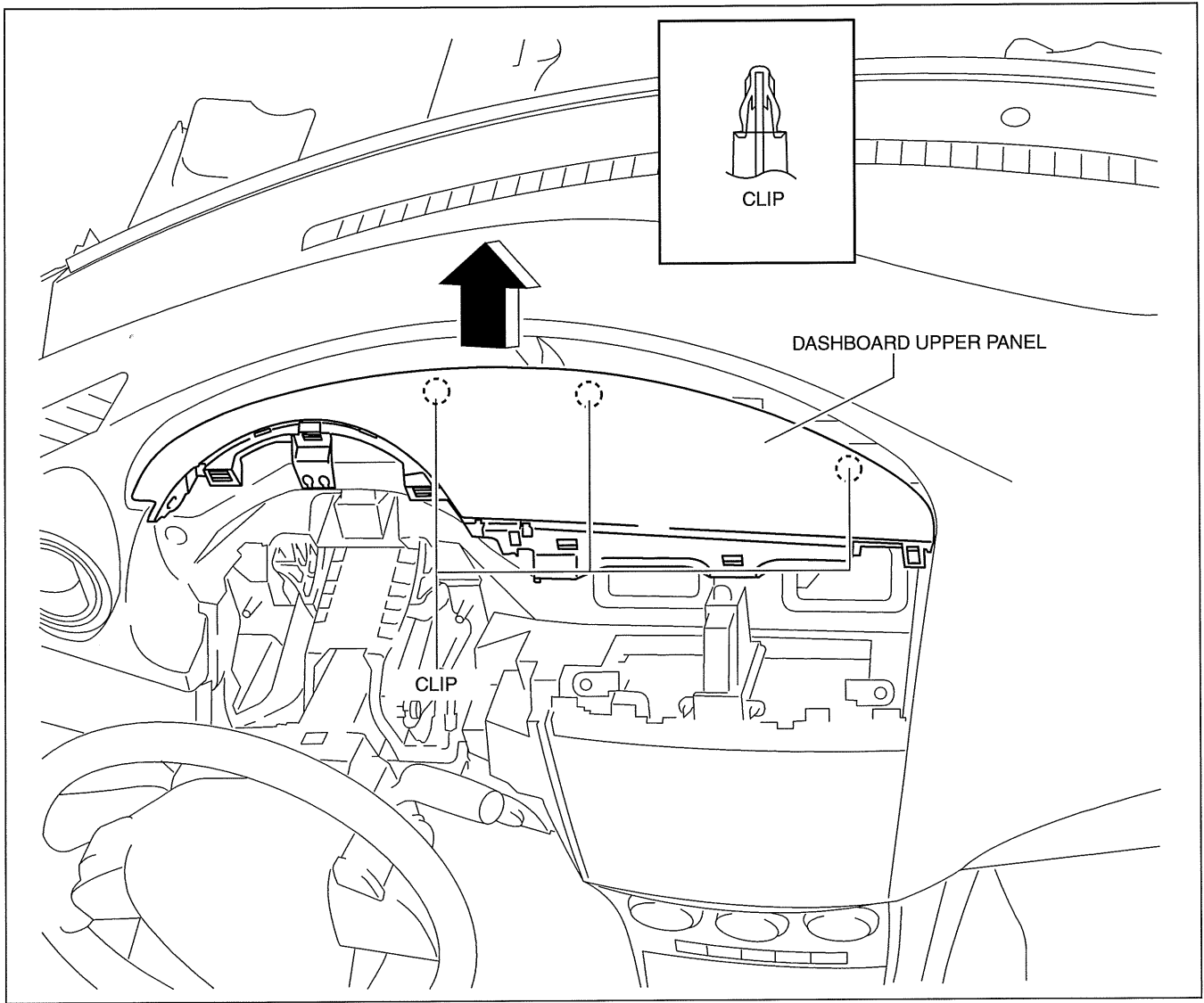
1. Disconnect the negative battery cable.
2. Remove the following parts:
 - (1) Upper column cover (See 09-17-22 COLUMN COVER REMOVAL/INSTALLATION.)
 - (2) Instrument cluster (See 09-22-3 INSTRUMENT CLUSTER REMOVAL/INSTALLATION.)
 - (3) Center panel (See 09-17-24 CENTER PANEL REMOVAL/INSTALLATION.)
 - (4) Center cover (See 09-17-19 CENTER COVER REMOVAL/INSTALLATION.)
3. Remove the screw.
4. Pull up the dashboard upper panel in the direction of arrow shown in the figure, then remove the clips.



am3uuw0000465

5. Pull up the dashboard upper panel in the direction of arrow shown in the figure, then remove the clips.

INTERIOR TRIM

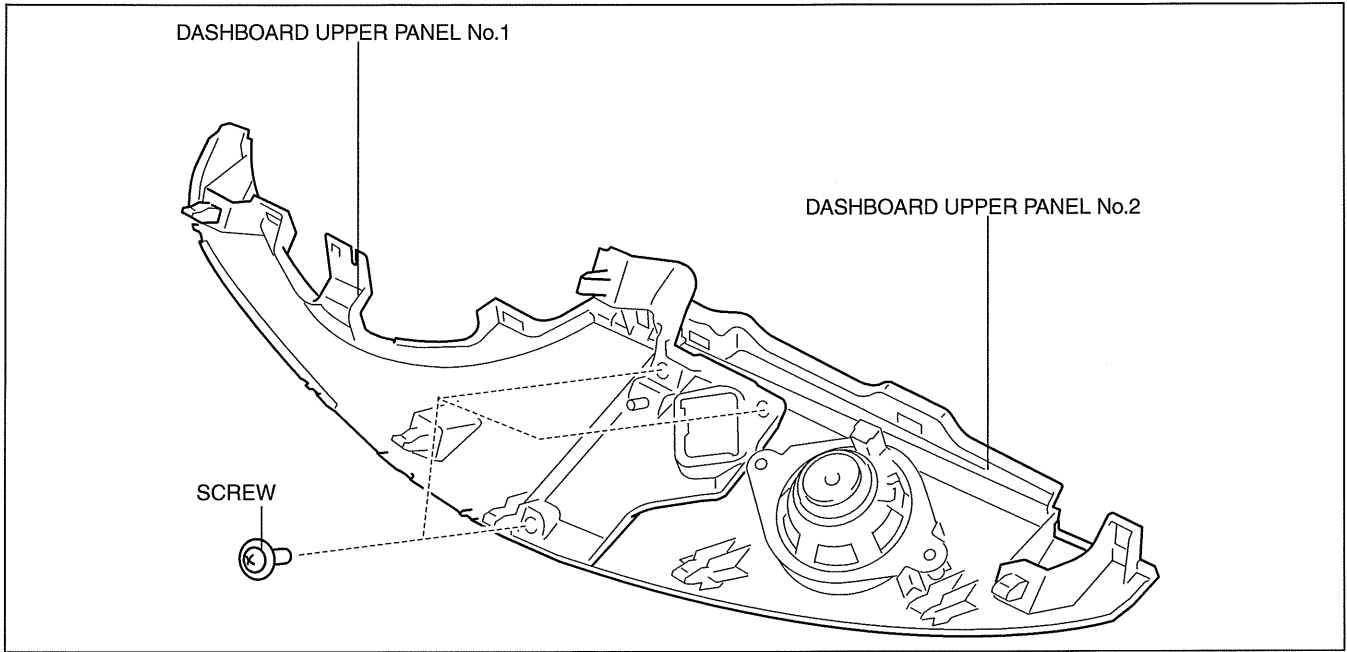


am3uuw0000465

09-17

INTERIOR TRIM

6. Remove the dashboard upper panel.
7. Disconnect the center speaker connector.
8. Disconnect the microphone connector.
9. Remove the screws then remove the dashboard upper panel No.2 from the dashboard upper panel No.1.



am3uuw0000550

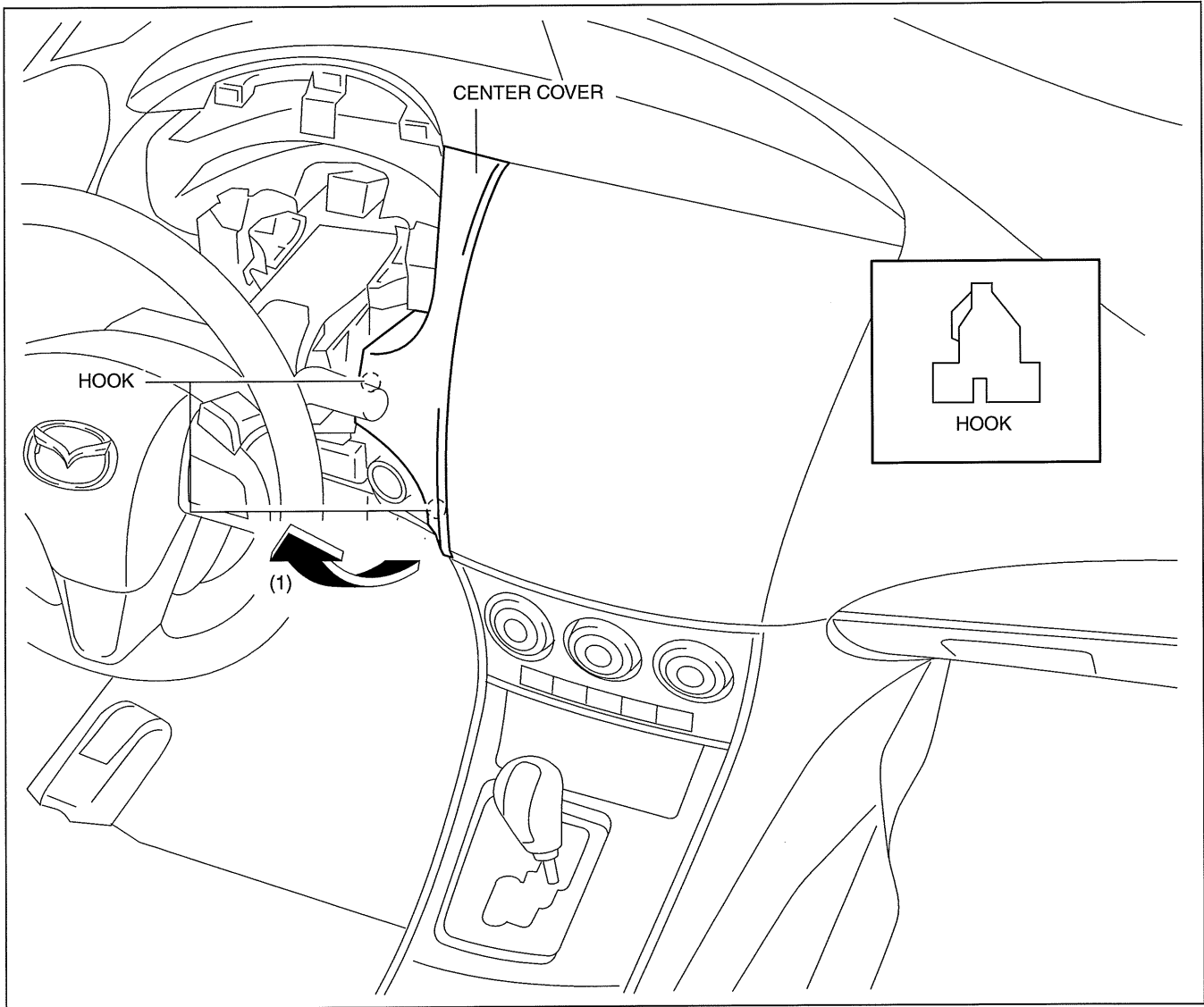
10. Install in the reverse order of removal.

INTERIOR TRIM

CENTER COVER REMOVAL/INSTALLATION

id091700989200

1. Disconnect the negative battery cable.
2. Remove the center panel. (See 09-17-24 CENTER PANEL REMOVAL/INSTALLATION)
3. Remove the upper column cover. (See 09-17-22 COLUMN COVER REMOVAL/INSTALLATION)
4. Remove the instrument cluster. (See 09-22-3 INSTRUMENT CLUSTER REMOVAL/INSTALLATION)
5. Pull the center cover in the direction of arrow (1) shown in the figure, then remove the hooks.

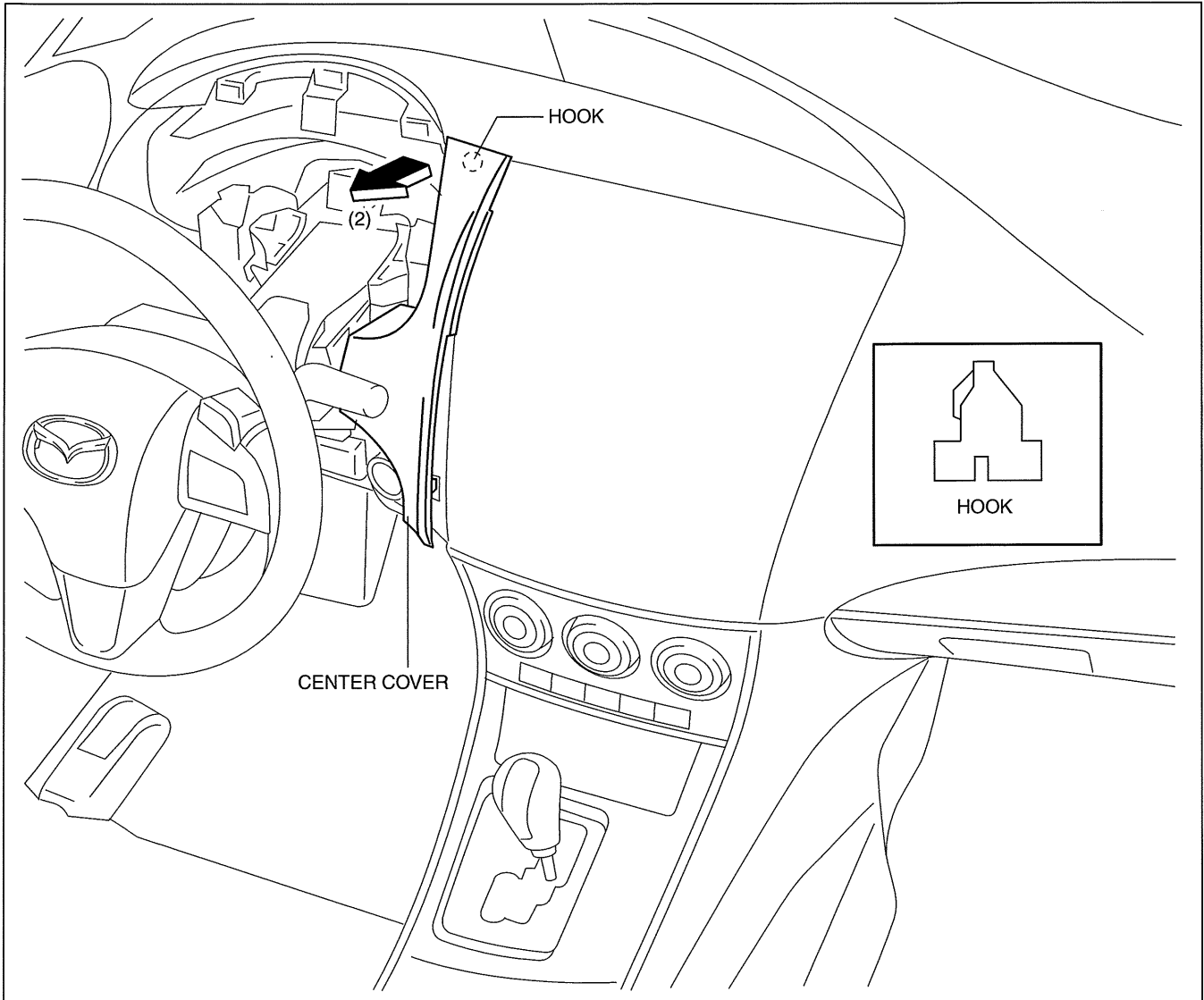


am3uuw0000547

09-17

INTERIOR TRIM

6. Pull the center cover in the direction of arrow (2) shown in the figure, then remove the hook.



am3uuw0000547

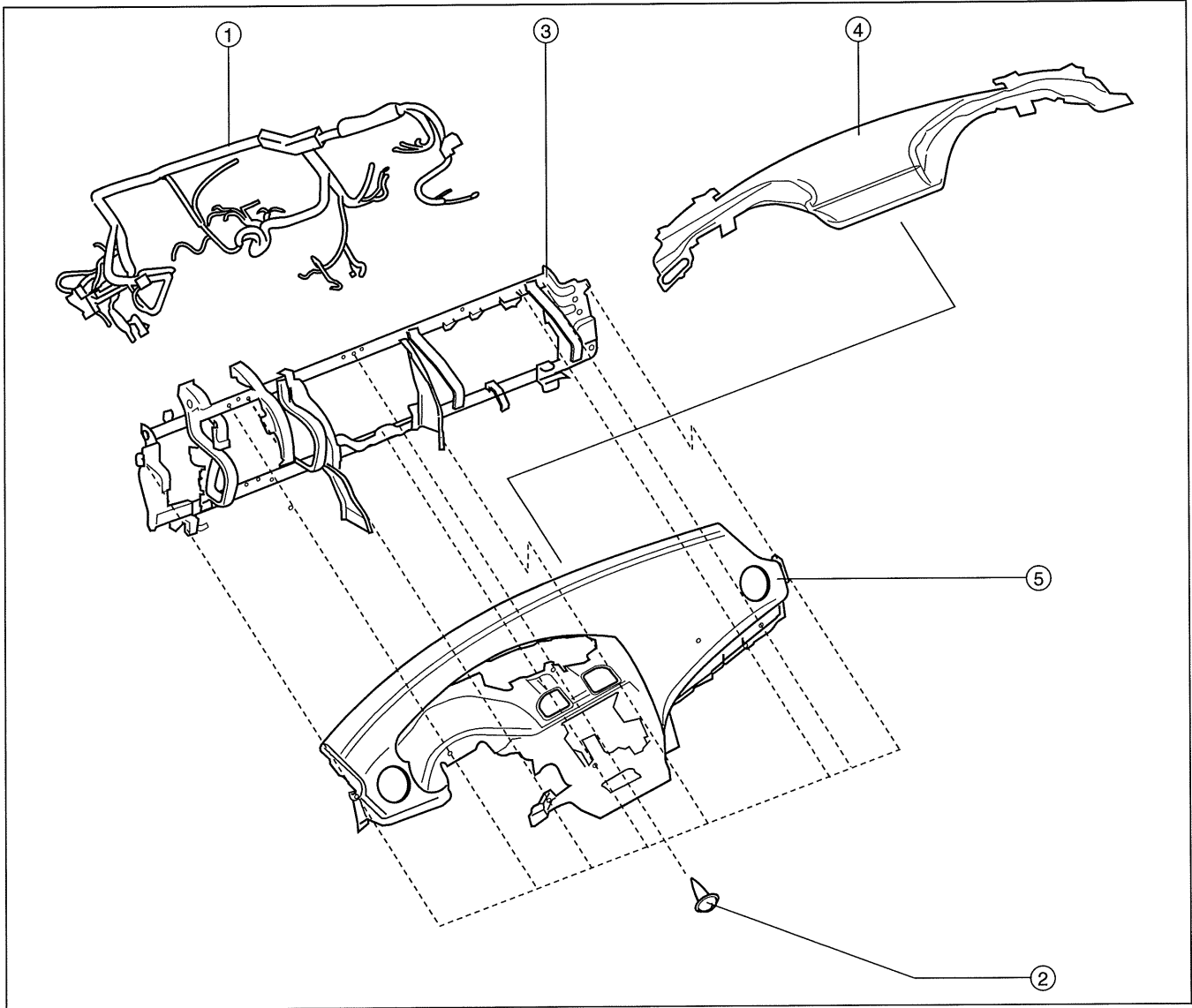
7. Remove the center cover.
8. Install in the reverse order of removal.

INTERIOR TRIM

DASHBOARD DISASSEMBLY/ASSEMBLY

id091700800400

1. Remove the ventilator grilles. (See 09-17-34 VENTILATOR GRILLE REMOVAL/INSTALLATION)
2. Remove the Passenger-side air bag module. (See 08-10-8 PASSENGER-SIDE AIR BAG MODULE REMOVAL/INSTALLATION)
3. Disassemble in the order indicated in the table.
4. Assemble in the reverse order of disassembly.



09-17

am6xuw0000162

1	Wiring harness
2	Screw
3	Dashboard frame

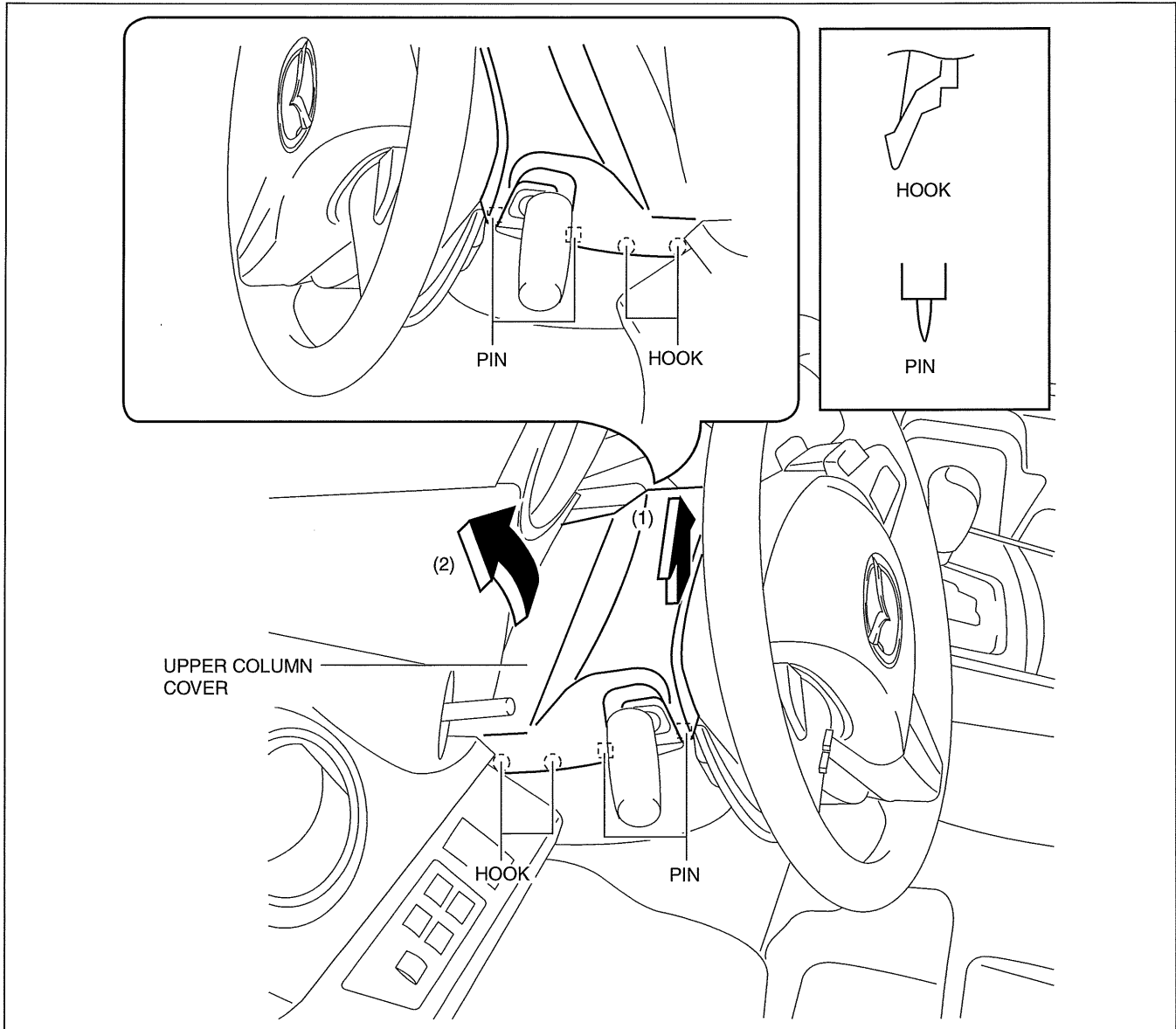
4	Center duct
5	Dashboard

INTERIOR TRIM

COLUMN COVER REMOVAL/INSTALLATION

id091700800800

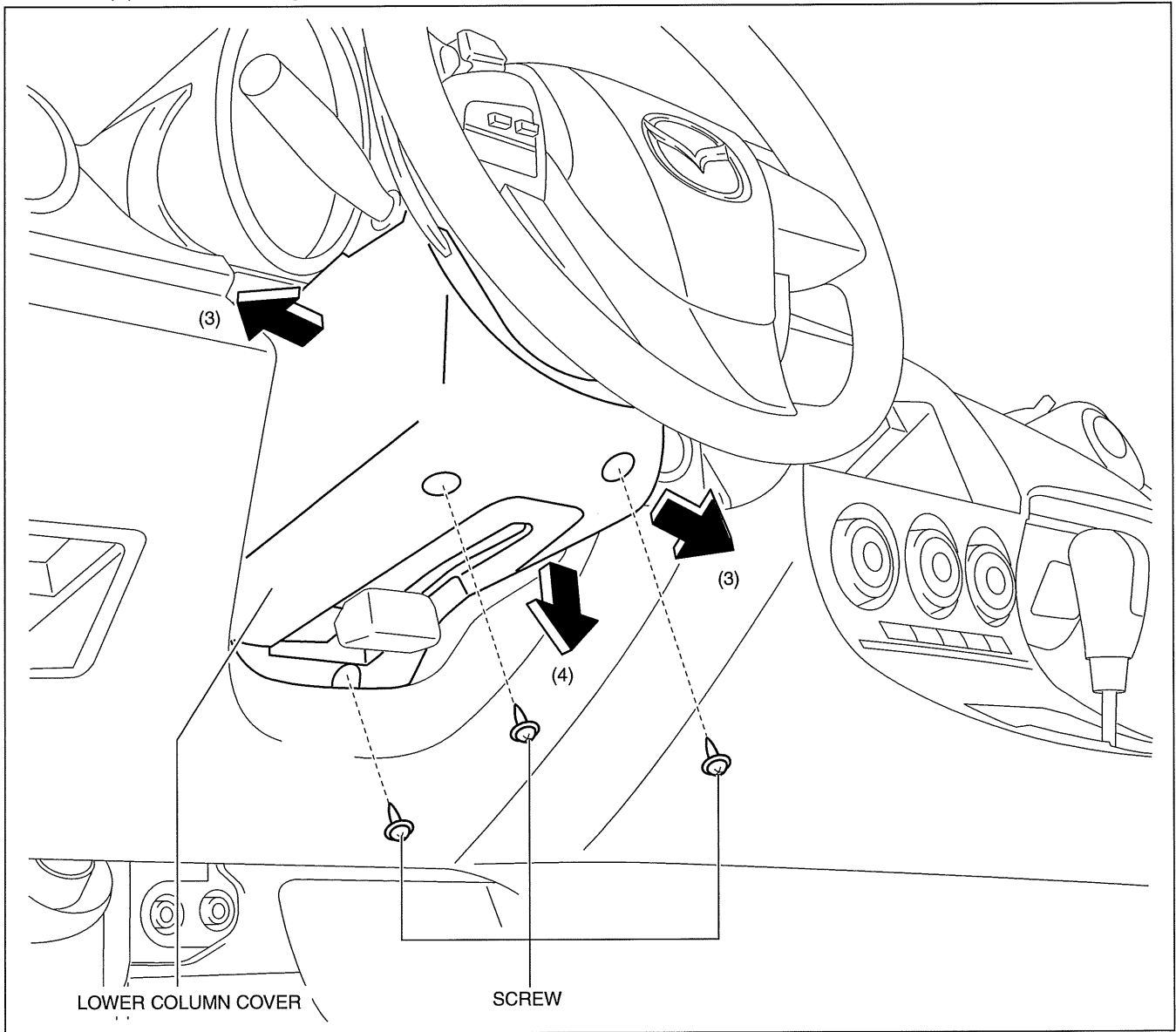
1. Pull down the steering wheel.
2. Pull the upper column cover in the direction of the arrow in the order of (1) and (2), then remove the upper column cover while detaching the hooks and pins.



am3uuw0000547

INTERIOR TRIM

3. Pull up the steering wheel.
4. Remove the ignition key illumination. (See 09-18-72 IGNITION KEY ILLUMINATION REMOVAL/INSTALLATION)
5. Remove the screws.
6. Remove the lower column cover in the direction of the arrow (4) while keeping it open in the direction of the arrow (3) shown in the figure.



09-17

am3uuw0000468

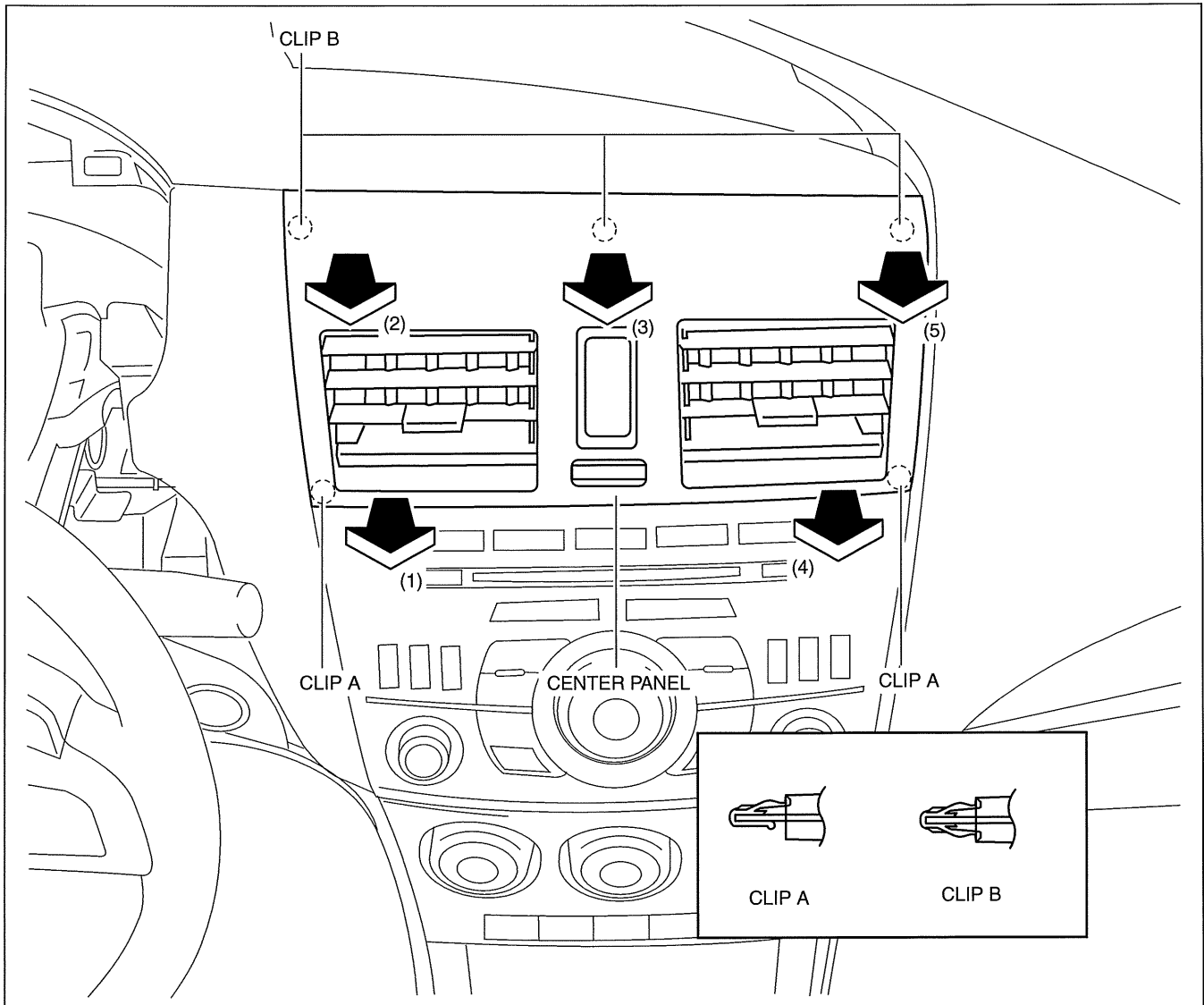
7. Install in the reverse order of removal.

INTERIOR TRIM

CENTER PANEL REMOVAL/INSTALLATION

id091700804500

1. Disconnect the negative battery cable.
2. Pull the center panel in the direction of arrow (1), (2), (3), (4), (5) and then remove the clips A and B.



am3uuw0000517

3. Disconnect the hazard warning switch connector.
4. Remove the center panel.
5. Install in the reverse order of removal.

INTERIOR TRIM

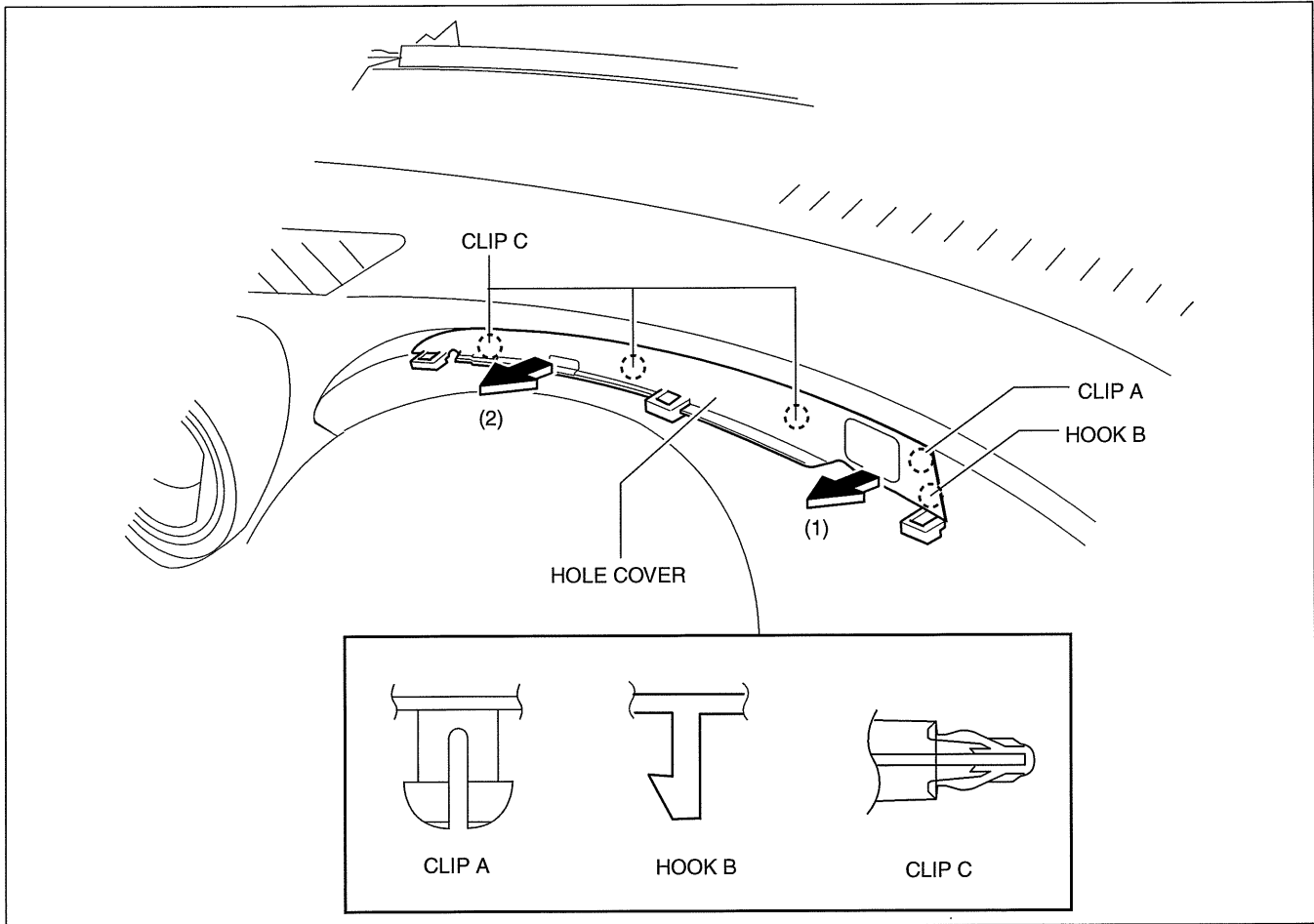
HOLE COVER REMOVAL/INSTALLATION

id091700989800

1. Disconnect the negative battery cable.

With Car-navigation system

1. Remove the following parts:
 - (1) Upper column cover (See 09-17-22 COLUMN COVER REMOVAL/INSTALLATION.)
 - (2) Instrument cluster (See 09-22-3 INSTRUMENT CLUSTER REMOVAL/INSTALLATION.)
 - (3) Center panel (See 09-17-24 CENTER PANEL REMOVAL/INSTALLATION.)
 - (4) Center cover (See 09-17-19 CENTER COVER REMOVAL/INSTALLATION.)
 - (5) Dashboard upper panel (See 09-17-14 DASHBOARD UPPER PANEL REMOVAL/INSTALLATION.)
 - (6) Multi information display (See 09-22-18 MULTI INFORMATION DISPLAY REMOVAL/INSTALLATION.)
2. Pull the hole cover in the direction of arrow (1), (2) shown in the figure, while remove the clip A, hook B and clips C.



09-17

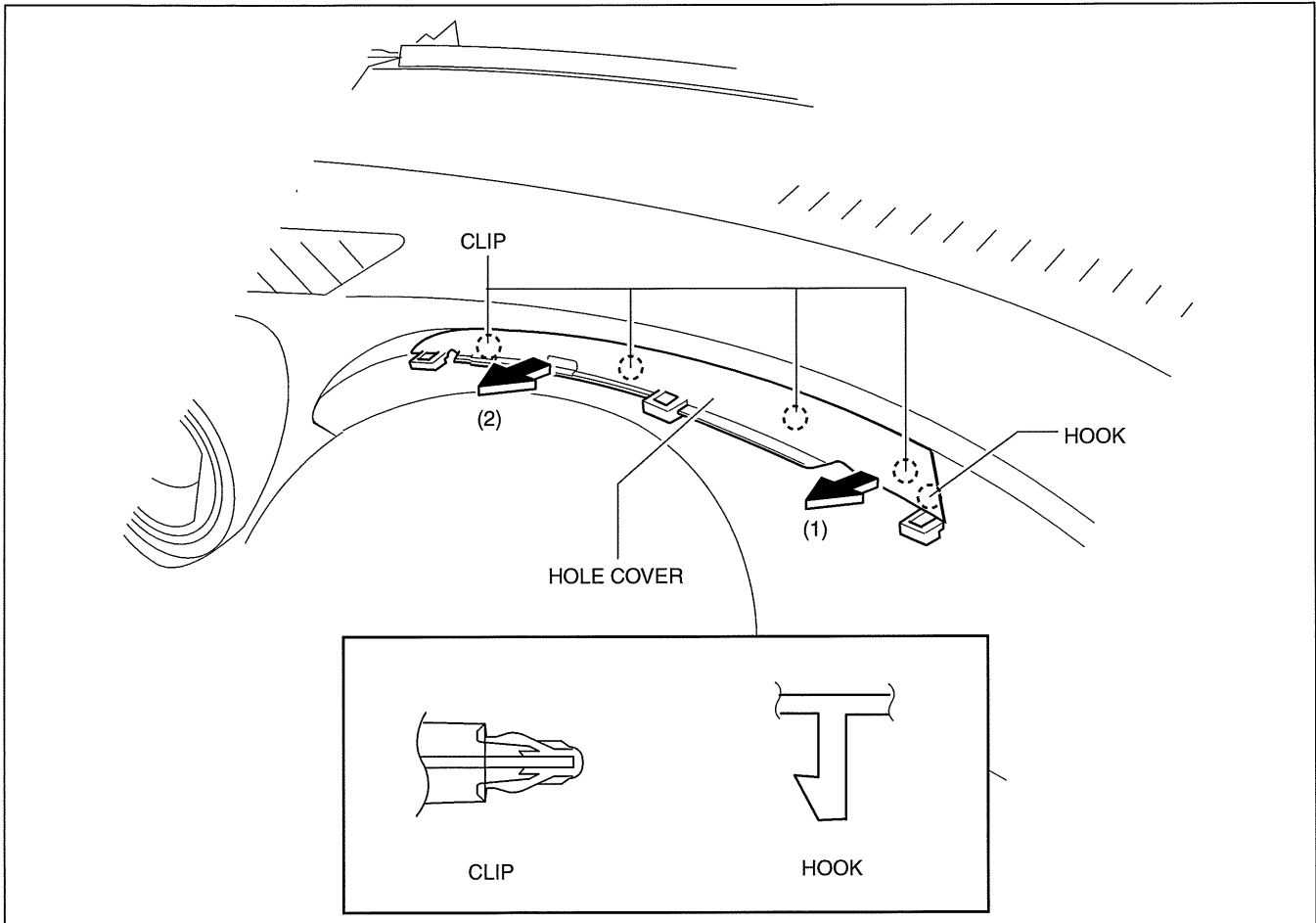
am3uuw0000548

3. Remove the hole cover.
4. Install in the order of removal.

INTERIOR TRIM

Without Car-navigation system

1. Remove the following parts:
 - (1) Upper column cover (See 09-17-22 COLUMN COVER REMOVAL/INSTALLATION.)
 - (2) Instrument cluster (See 09-22-3 INSTRUMENT CLUSTER REMOVAL/INSTALLATION.)
 - (3) Center panel (See 09-17-24 CENTER PANEL REMOVAL/INSTALLATION.)
 - (4) Center cover (See 09-17-19 CENTER COVER REMOVAL/INSTALLATION.)
 - (5) Dashboard upper panel (See 09-17-14 DASHBOARD UPPER PANEL REMOVAL/INSTALLATION.)
2. Pull the hole cover in the direction of arrow (1), (2) shown in the figure, while remove the hook and clips.



am3uuw000548

3. Remove the hole cover.
4. Install in the order of removal.

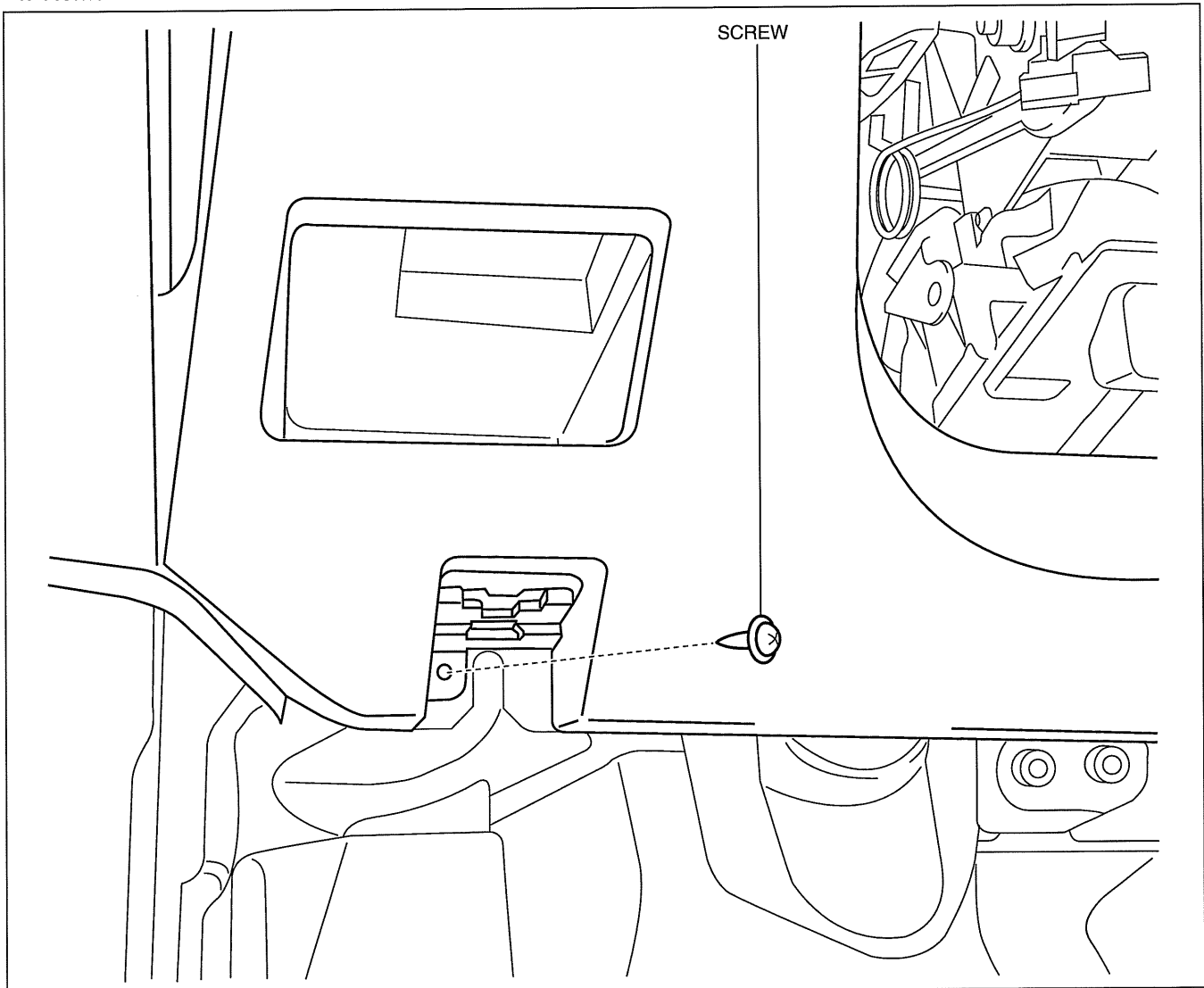
INTERIOR TRIM

LOWER PANEL REMOVAL/INSTALLATION

id091700801100

Driver-side

1. Disconnect the negative battery cable.
2. Remove the following parts:
 - (1) Driver-side front scuff plate (See 09-17-67 FRONT SCUFF PLATE REMOVAL/INSTALLATION.)
 - (2) Driver-side front side trim (See 09-17-53 FRONT SIDE TRIM REMOVAL/INSTALLATION.)
 - (3) Hood release lever (See 09-14-15 HOOD LATCH AND RELEASE LEVER REMOVAL/INSTALLATION.)
 - (4) Upper panel (See 09-17-40 UPPER PANEL REMOVAL/INSTALLATION.)
 - (5) Shift knob (MTX) (See 05-16-2 MANUAL TRANSAXLE SHIFT MECHANISM REMOVAL/INSTALLATION)
 - (6) Selector lever knob (ATX) (See 05-18-2 AUTOMATIC TRANSAXLE SHIFT MECHANISM REMOVAL/INSTALLATION.)
 - (7) Shift panel (See 09-17-42 SHIFT PANEL REMOVAL/INSTALLATION.)
 - (8) Side wall (See 09-17-37 SIDE WALL REMOVAL/INSTALLATION.)
 - (9) Console (See 09-17-45 CONSOLE REMOVAL/INSTALLATION.)
3. Partially peel back the seaming welt.
4. Remove the screw.

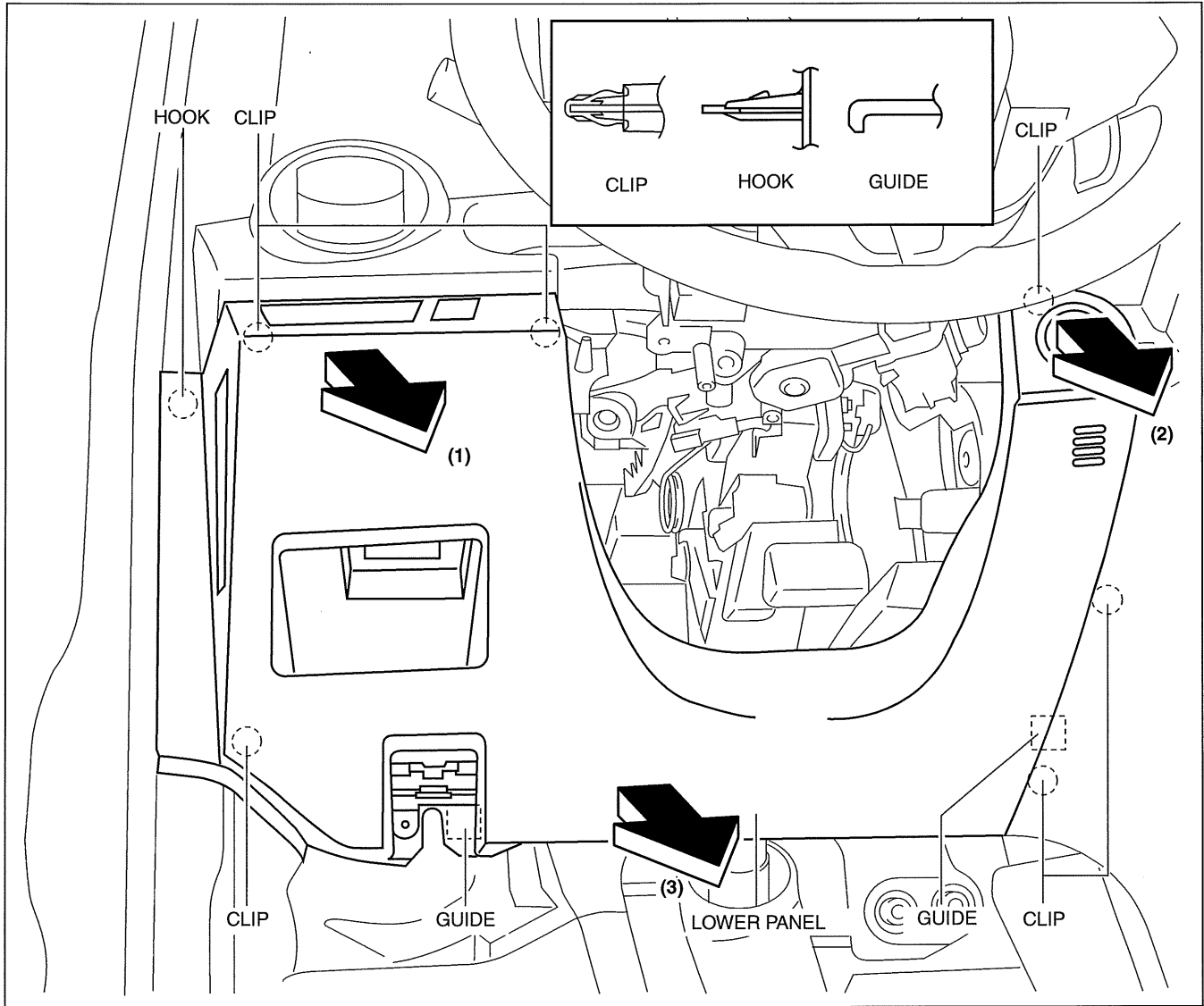


am3uuw0000468

09-17

INTERIOR TRIM

5. Pull the lower panel in the direction of the arrow in the order of (1) (2), (3) and remove the lower panel while detaching the hooks, clips and guides.



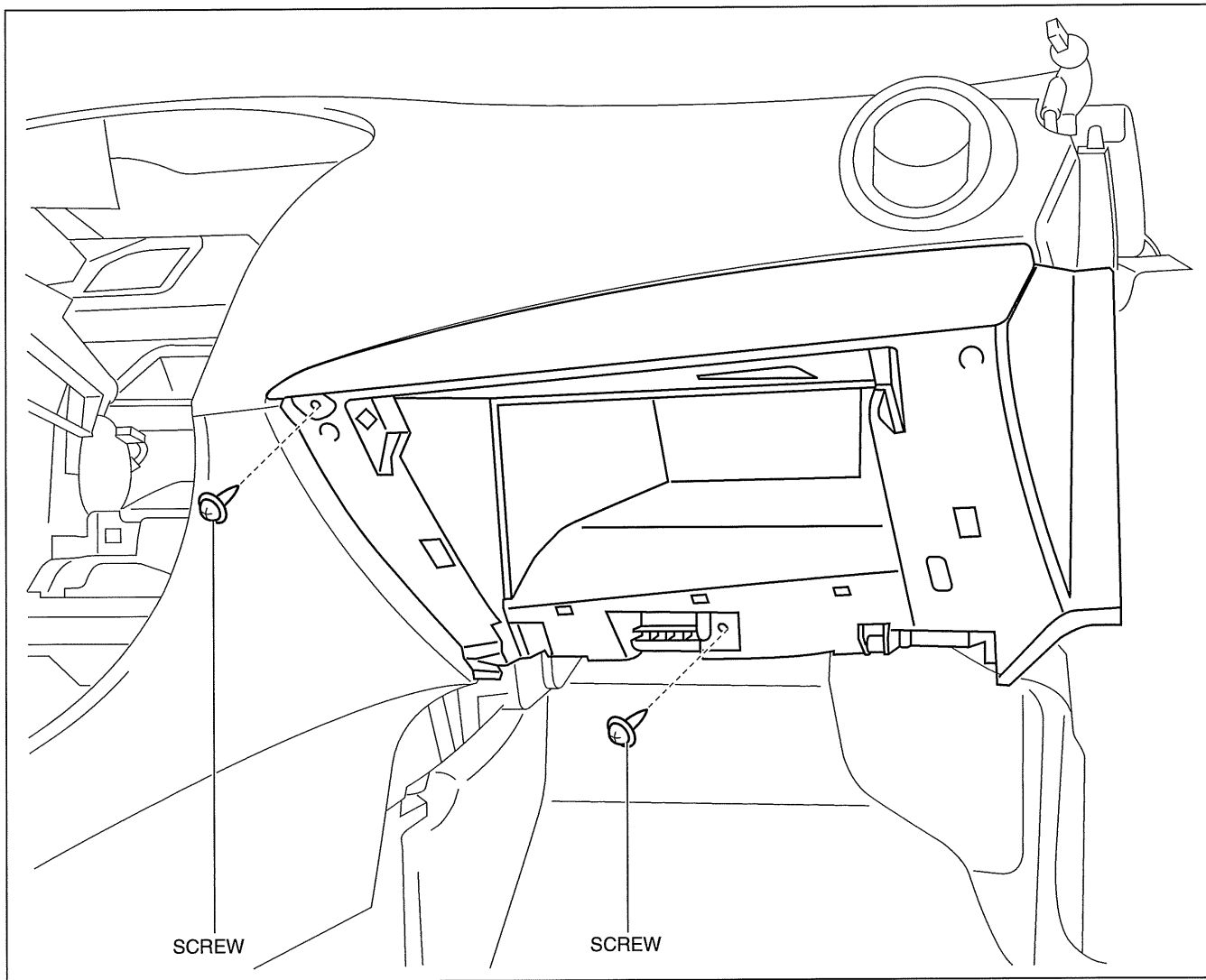
am3uuw0000548

6. Disconnect the switch connector.
7. Disconnect the push button start connector.
8. Install in the reverse order of removal.

INTERIOR TRIM

Passenger-side

1. Remove the following parts:
 - (1) Passenger-side front scuff plate (See 09-17-67 FRONT SCUFF PLATE REMOVAL/INSTALLATION.)
 - (2) Passenger-side front side trim (See 09-17-53 FRONT SIDE TRIM REMOVAL/INSTALLATION.)
 - (3) Dashboard under cover (See 09-17-39 DASHBOARD UNDER COVER REMOVAL/INSTALLATION.)
 - (4) Glove compartment (See 09-17-33 GLOVE COMPARTMENT REMOVAL/INSTALLATION.)
2. Partially peel back the seaming welt.
3. Remove the screws.

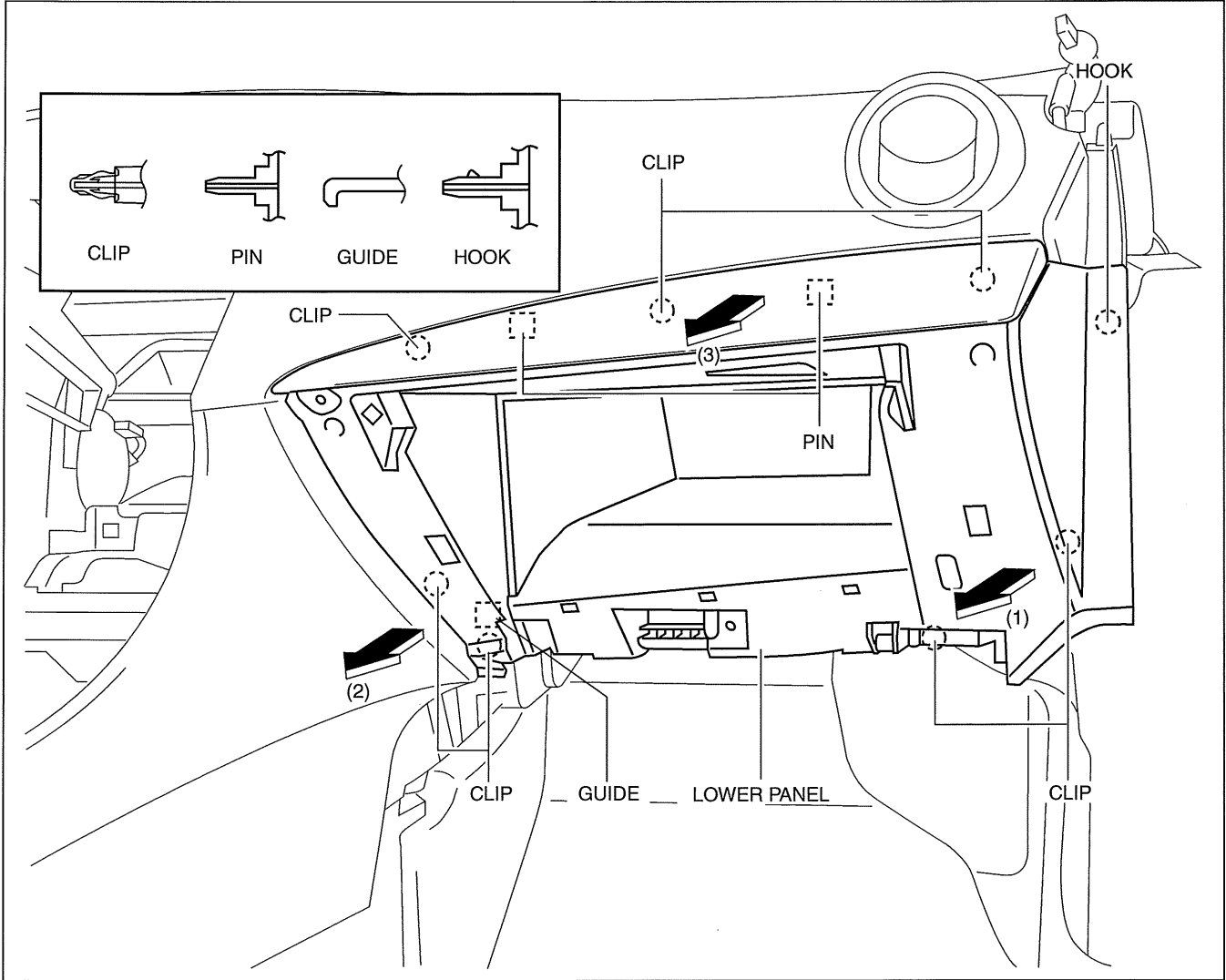


am3uuw000468

09-17

INTERIOR TRIM

4. Pull the lower panel in the direction of the arrow in the order of (1) (2), (3) and remove the lower panel while detaching the hook, clips, guide and pins.



am3uuw0000528

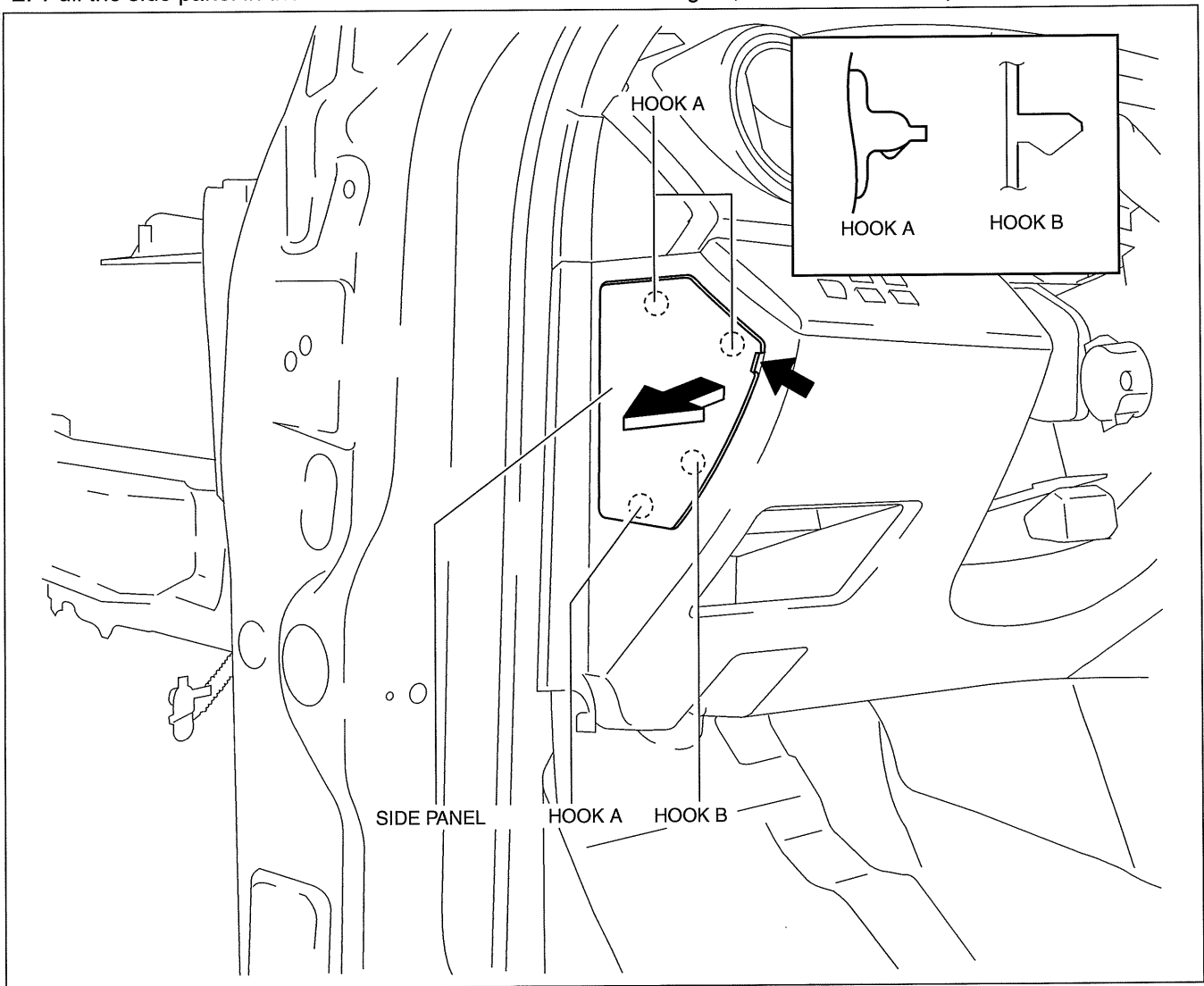
5. Install in the reverse order of removal.

INTERIOR TRIM

SIDE PANEL REMOVAL/INSTALLATION

Id091700800500

1. Insert a tape-wrapped fastener remover into the position indicated by the arrow in the figure.
2. Pull the side panel in the direction of the arrow shown in the figure, then remove the clips and hook.

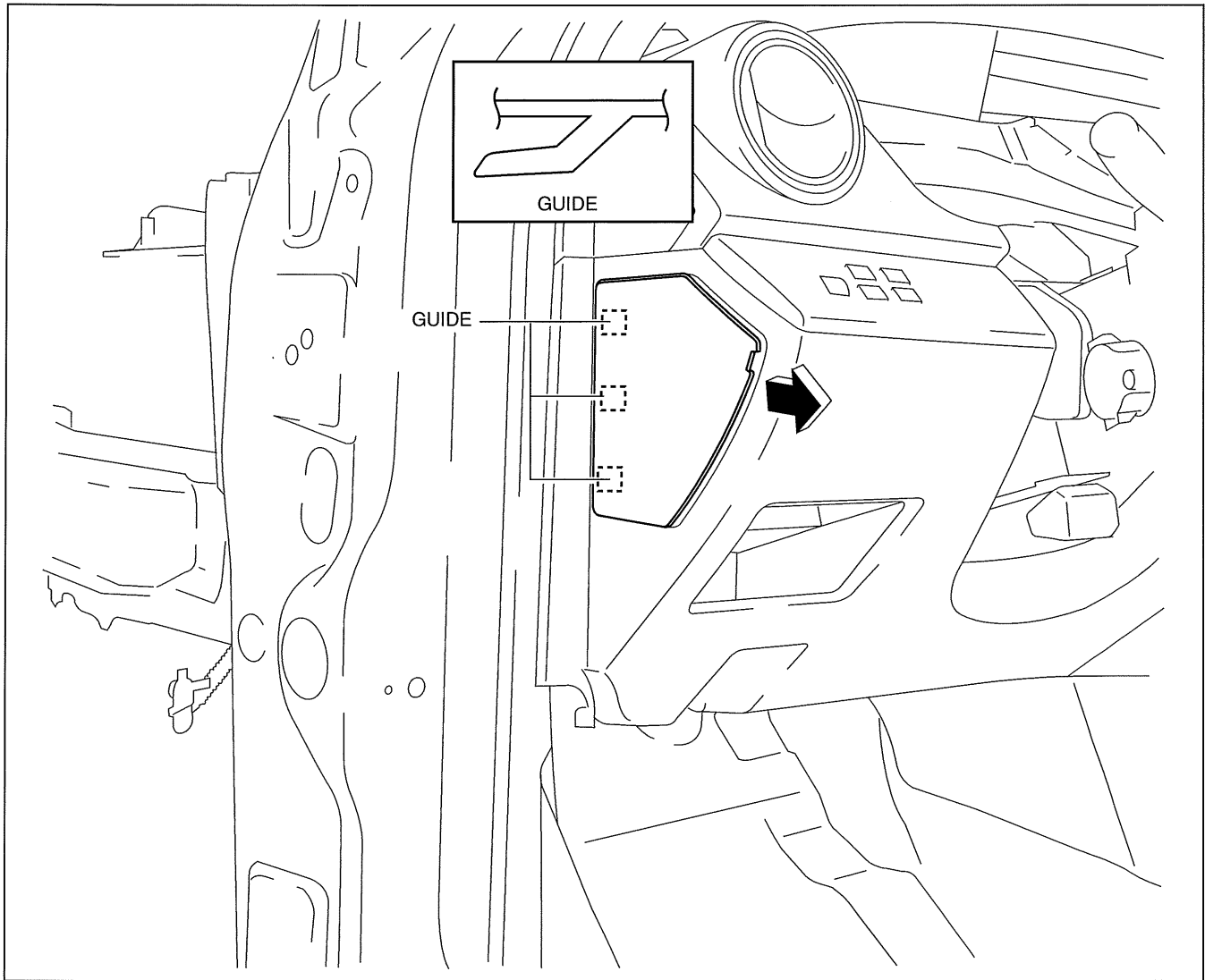


09-17

am3uuw0000548

INTERIOR TRIM

3. Pull the side panel in the direction of the arrow shown in the figure, while detaching the guides.



am3uuw0000478

Caution

- When pulling out the side panel, be careful not to damage the guide.

4. Install in the reverse order of removal.

INTERIOR TRIM

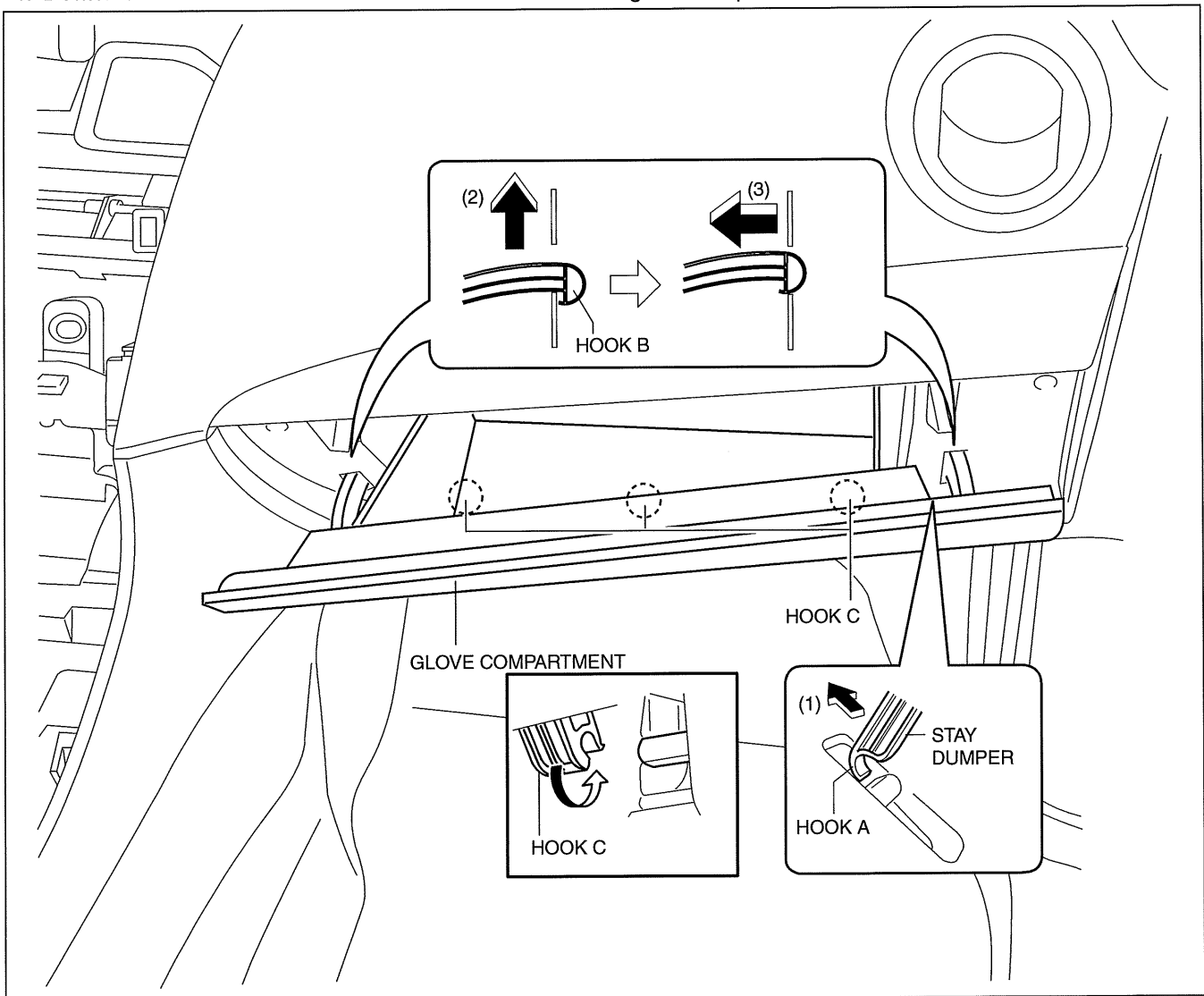
GLOVE COMPARTMENT REMOVAL/INSTALLATION

id091700800700

Caution

- If the glove compartment is closed without being joined to the stay damper, the stay damper may be damaged. Verify that the stay damper is joined to the glove compartment before closing the glove compartment.

1. Pull the stay damper in the direction (1) shown in the figure, and detach the hook A between the glove compartment and the stay damper.
2. Pull up the hook B in the direction of arrow (2) and remove it in the direction of arrow (3) shown in the figure.
3. Lower the glove compartment.
4. Detach the hook C from the dashboard and remove the glove compartment.



am3uuw0000479

5. Install in the reverse order of removal.

09-17

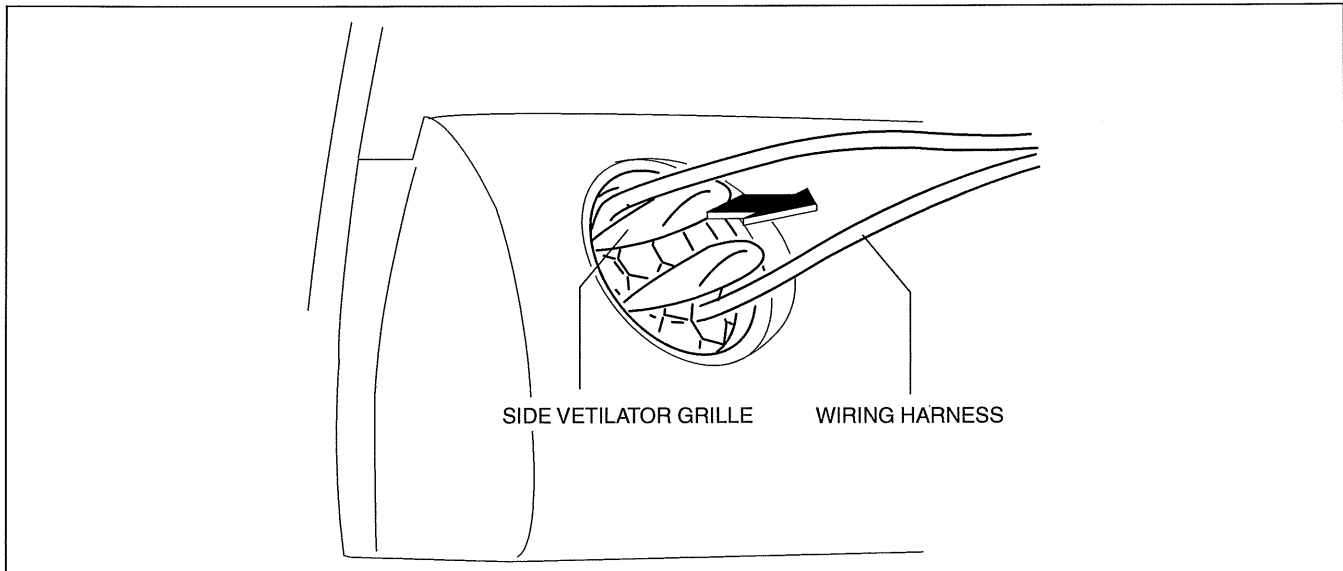
INTERIOR TRIM

VENTILATOR GRILLE REMOVAL/INSTALLATION

id091700804600

Side Ventilator grille

1. Through the wiring harness into the position shown in the figure, remove the side ventilator grille in the direction of arrow.



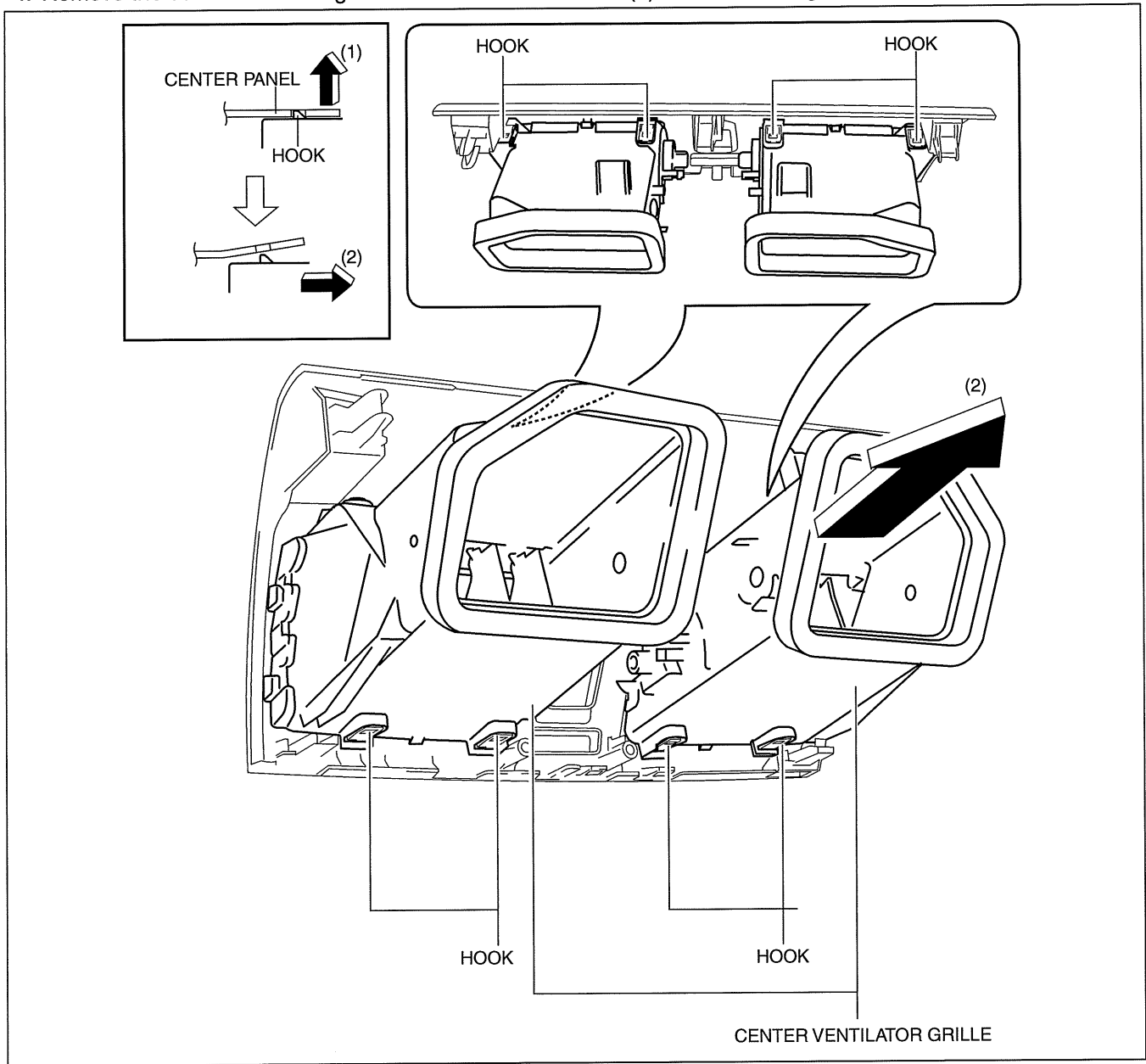
am3uuw0000471

2. When installing the side ventilator grille, push it for the dashboard.

INTERIOR TRIM

Center Ventilator grille

1. Disconnect the negative battery cable.
2. Remove the center panel. (See 09-17-24 CENTER PANEL REMOVAL/INSTALLATION)
3. Push the edge of center panel in the direction of arrow (1) and detach the hooks.
4. Remove the center ventilator grille in the direction of arrow (2) shown in the figure.



am3uuw0000497

5. Install in the reverse order of removal.

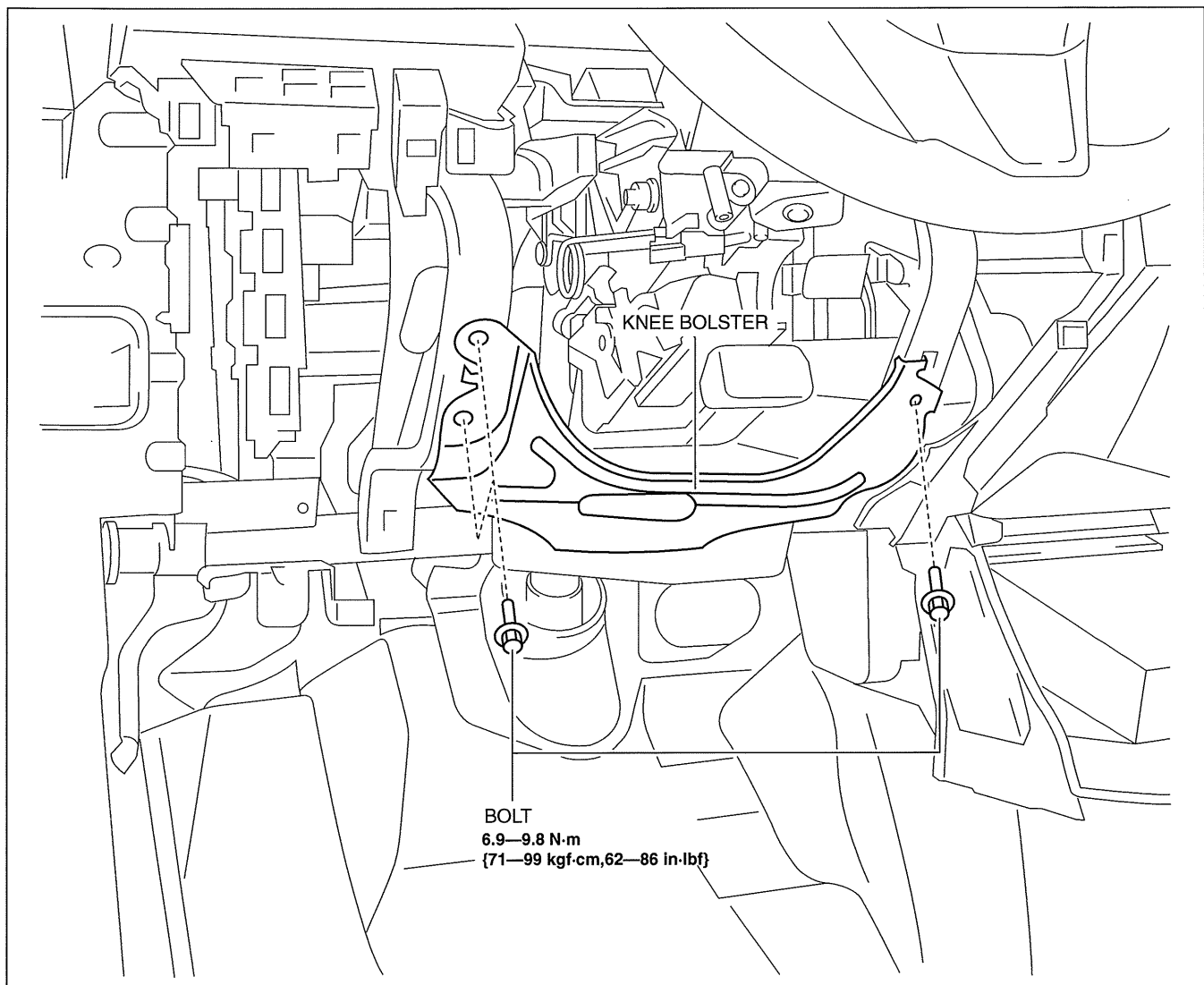
09-17

INTERIOR TRIM

KNEE BOLSTER REMOVAL/INSTALLATION

id091700804000

1. Disconnect the negative battery cable.
2. Remove the following parts:
 - (1) Driver-side front scuff plate (See 09-17-67 FRONT SCUFF PLATE REMOVAL/INSTALLATION.)
 - (2) Driver-side front side trim (See 09-17-53 FRONT SIDE TRIM REMOVAL/INSTALLATION.)
 - (3) Hood release lever (See 09-14-15 HOOD LATCH AND RELEASE LEVER REMOVAL/INSTALLATION.)
 - (4) Upper panel (See 09-17-40 UPPER PANEL REMOVAL/INSTALLATION.)
 - (5) Shift knob (MTX) (See 05-16-2 MANUAL TRANSAXLE SHIFT MECHANISM REMOVAL/INSTALLATION)
 - (6) Selector lever knob (ATX) (See 05-18-2 AUTOMATIC TRANSAXLE SHIFT MECHANISM REMOVAL/INSTALLATION.)
 - (7) Shift panel (See 09-17-42 SHIFT PANEL REMOVAL/INSTALLATION.)
 - (8) Side wall (See 09-17-37 SIDE WALL REMOVAL/INSTALLATION.)
 - (9) Console (See 09-17-45 CONSOLE REMOVAL/INSTALLATION.)
 - (10) Driver-side lower panel (See 09-17-27 LOWER PANEL REMOVAL/INSTALLATION.)
3. Remove the bolts.



am6xuw0000184

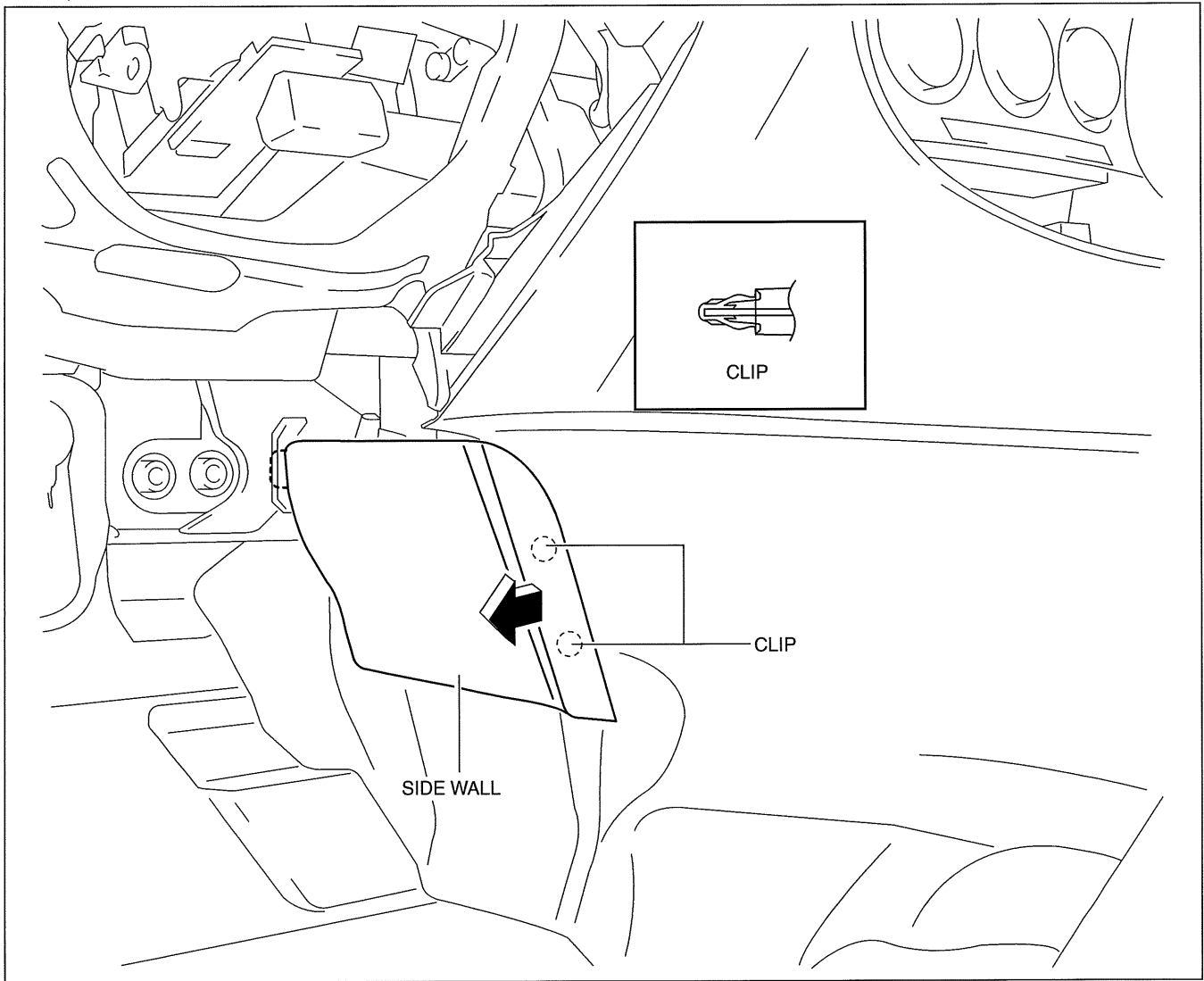
4. Remove the knee bolster.
5. Install in the reverse order of removal.

INTERIOR TRIM

SIDE WALL REMOVAL/INSTALLATION

id091700805400

1. Pull out the side wall in the direction shown in the direction of the arrow shown in the figure, then remove the clips.

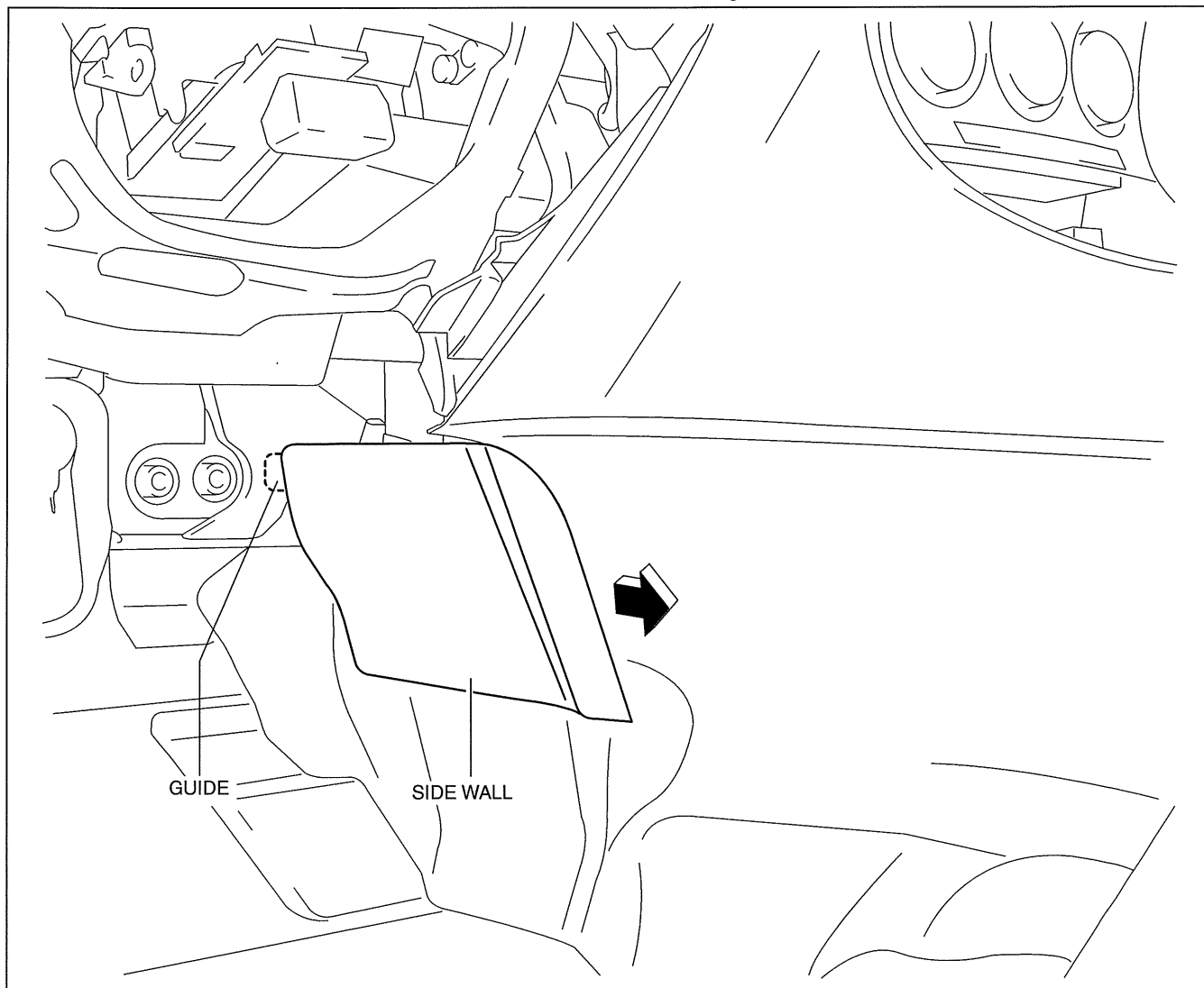


am3uuw0000548

09-17

INTERIOR TRIM

2. Remove the side wall in the direction of the arrow shown in the figure.



am3uuw0000122

Caution

- When remove the side wall, be careful not to damage the guide.

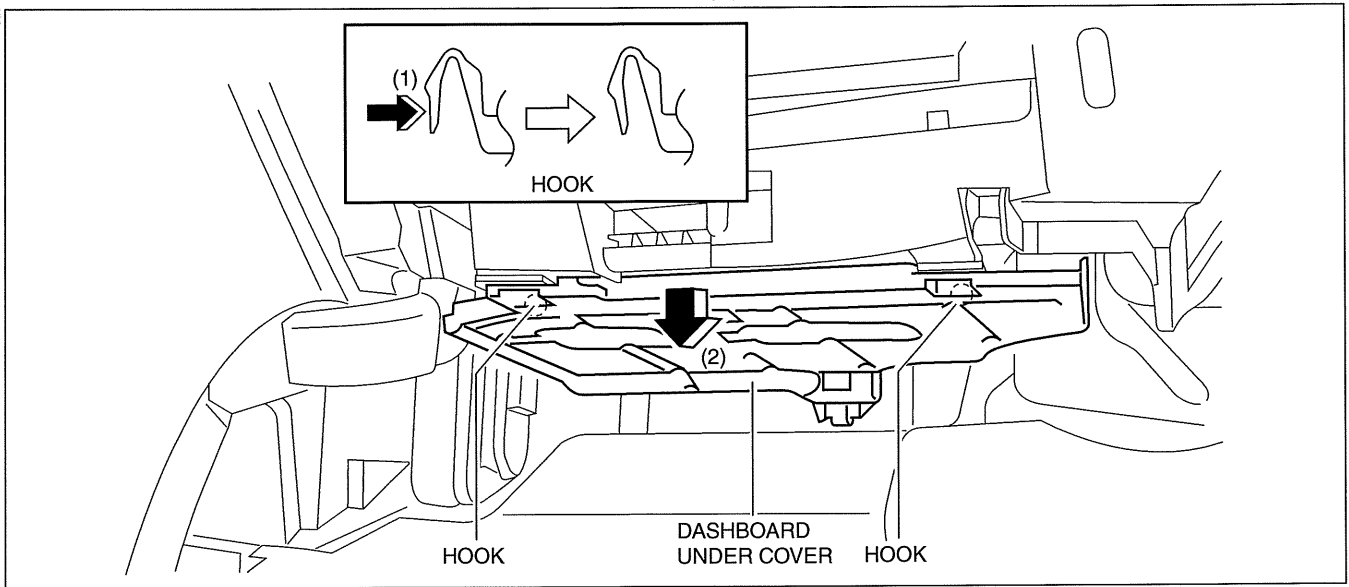
3. Install in the reverse order of removal.

INTERIOR TRIM

DASHBOARD UNDER COVER REMOVAL/INSTALLATION

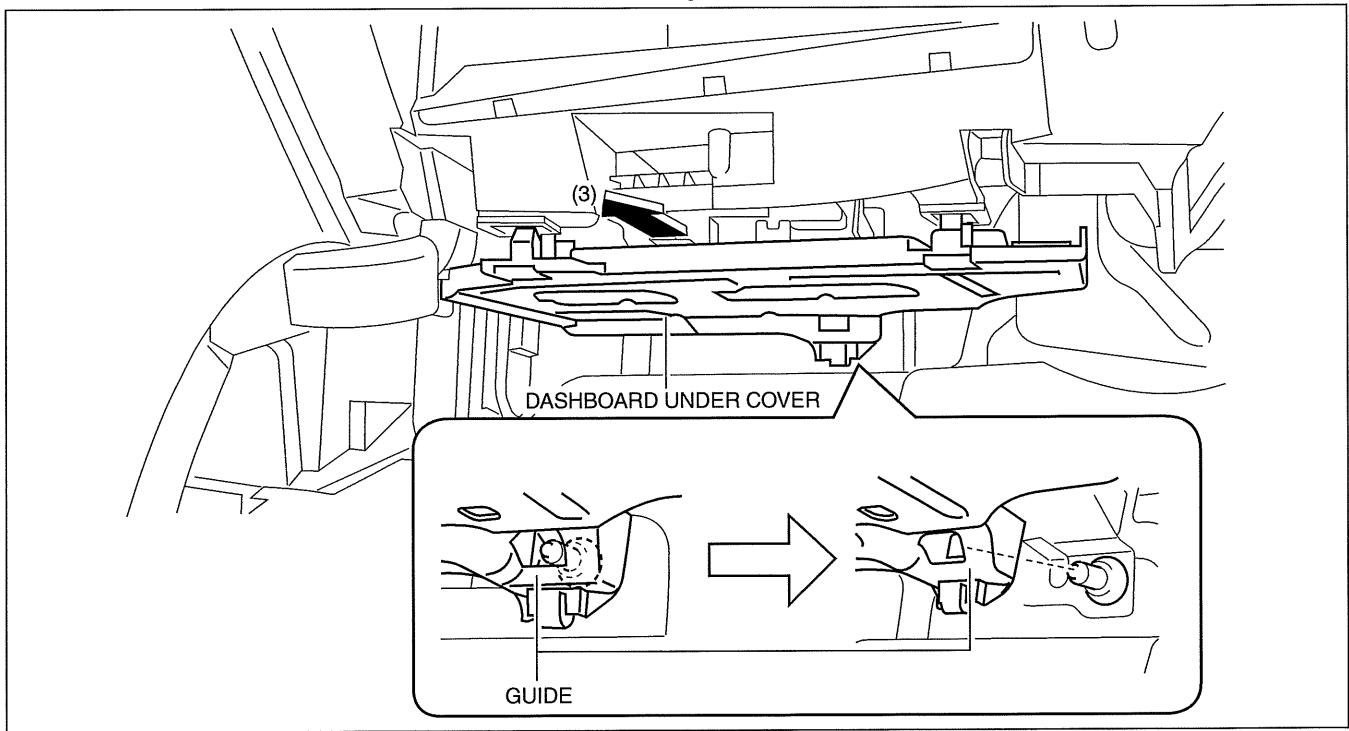
id091700807200

1. Detach the hooks in the direction of arrow (1) shown in the figure.
2. Pull the dashboard under cover in the direction of arrow (2).



am3uuw0000548

3. Remove the dashboard under cover, then remove the guide.



09-17

am3uuw0000549

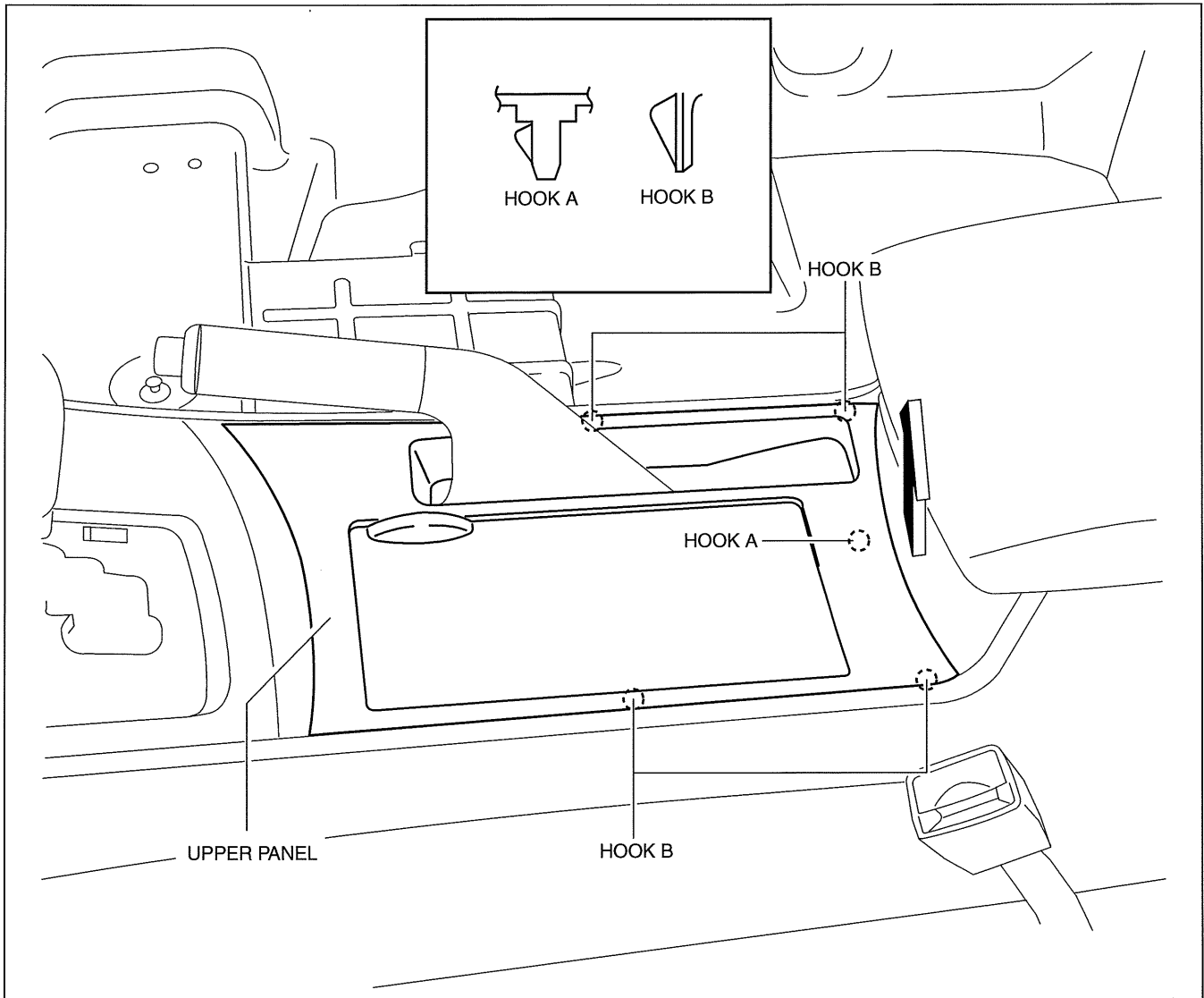
4. Install in the reverse order of removal.

INTERIOR TRIM

UPPER PANEL REMOVAL/INSTALLATION

id091700898300

1. Pull the upper panel in the direction of the arrow shown in the figure, then remove it while detaching the hook A and hooks B.



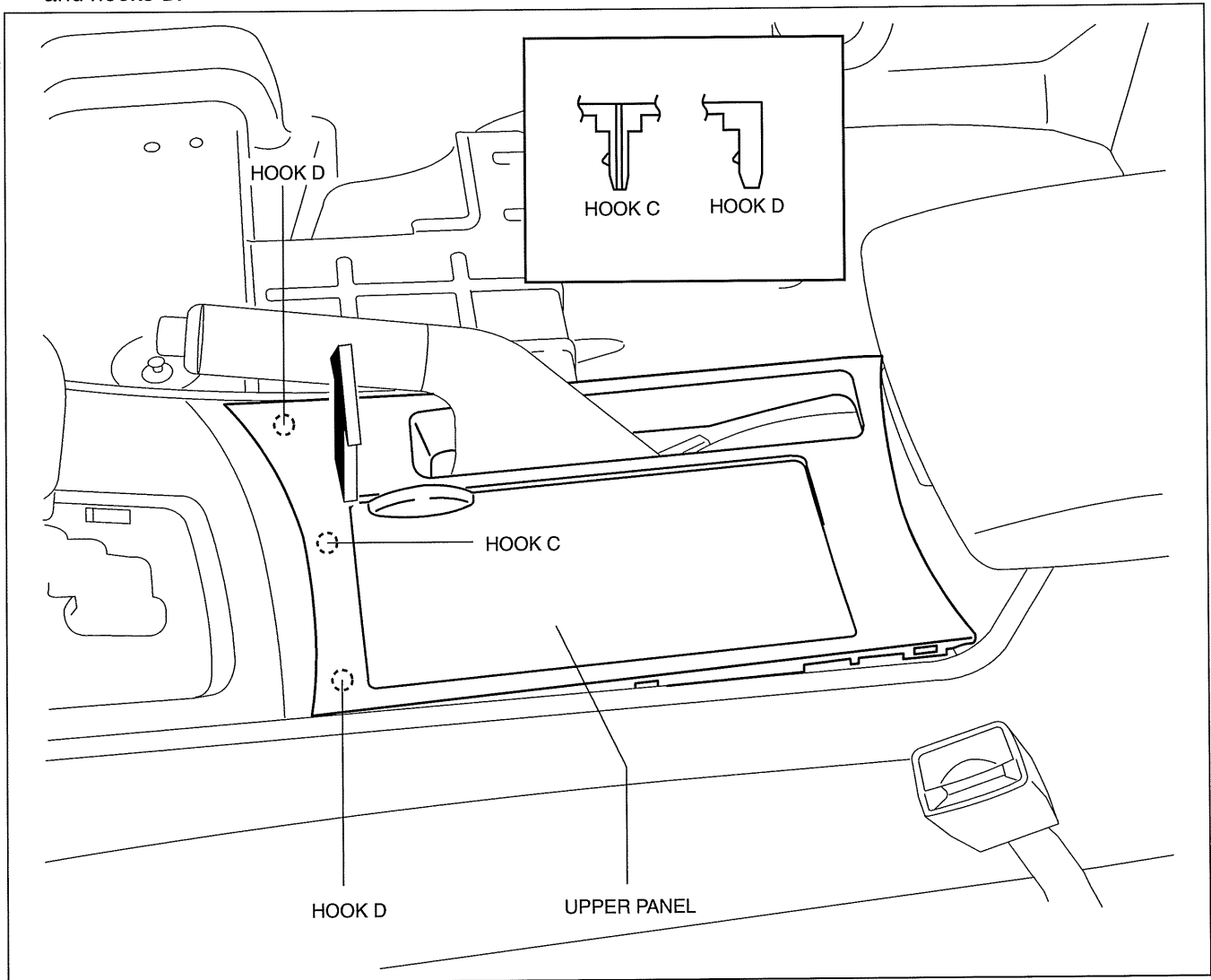
am3uuw000467

Caution

- When removing hook A, press the connecting part of the console with a hand to prevent damage to hook A.

INTERIOR TRIM

2. Pull the upper panel in the direction of the arrow shown in the figure, then remove it while detaching the hook C and hooks D.



09-17

am3uuw0000467

3. Remove the upper panel.
4. Install in the reverse order of removal.

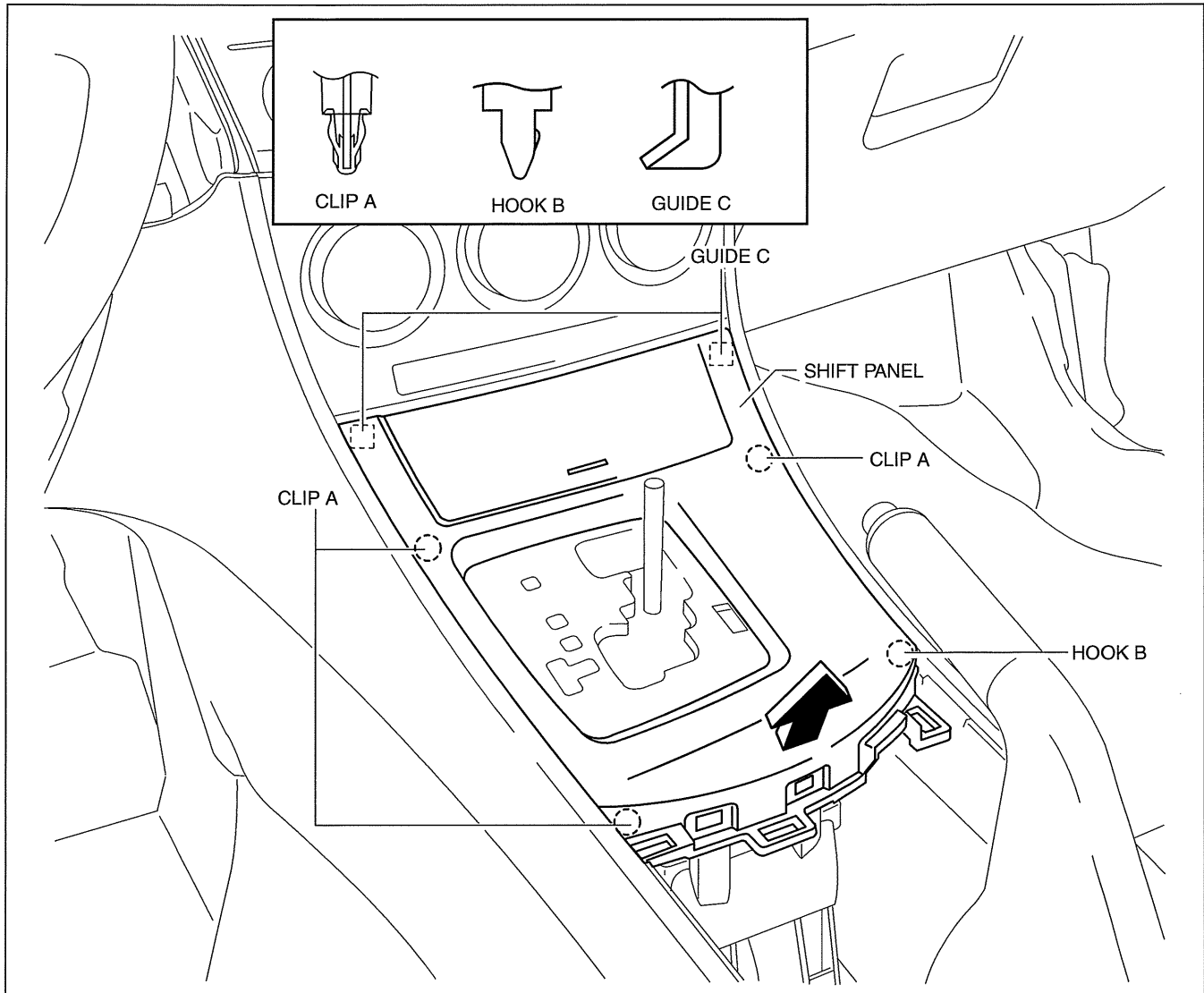
INTERIOR TRIM

SHIFT PANEL REMOVAL/INSTALLATION

id091700898400

ATX

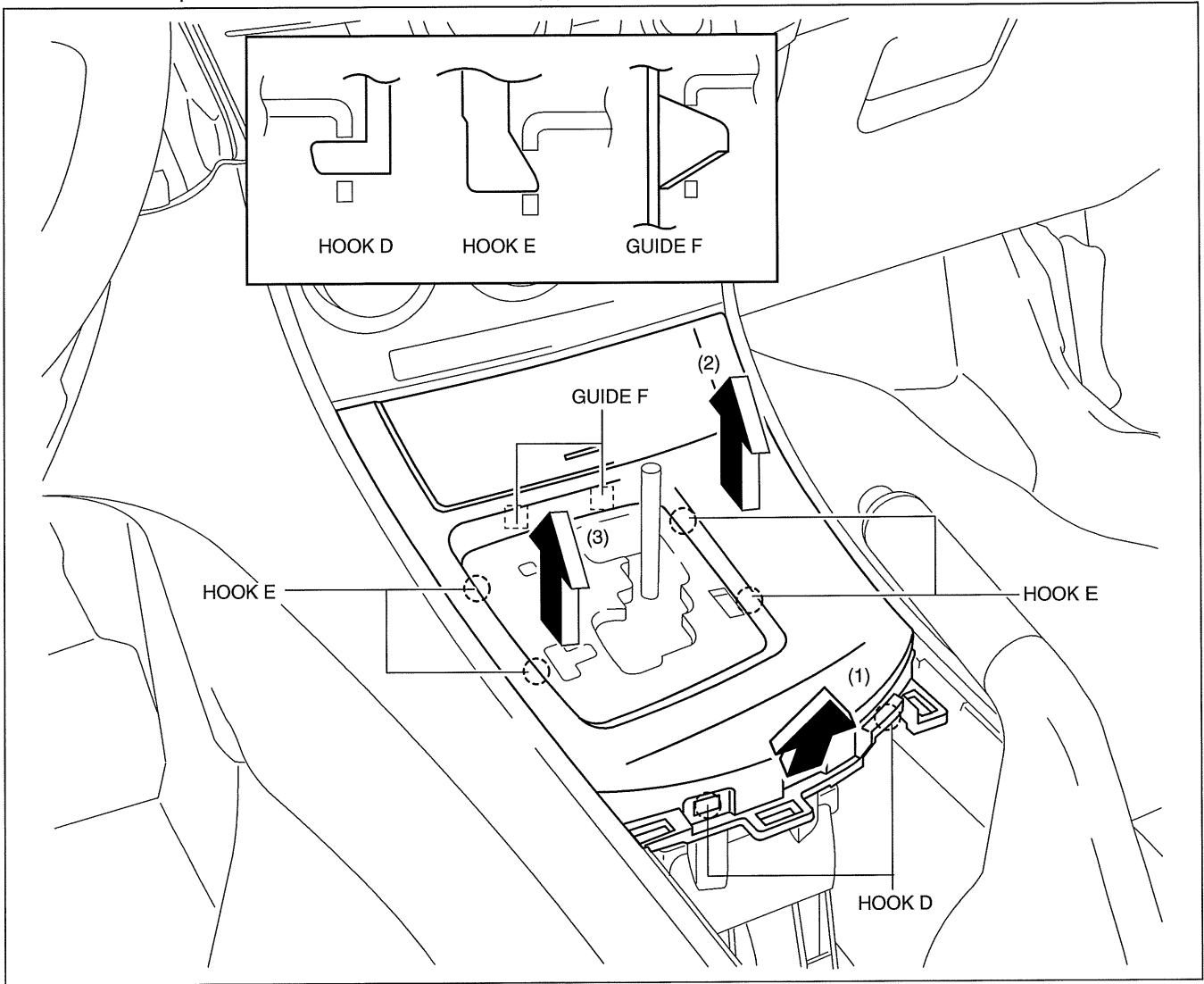
1. Remove the upper panel. (See 09-17-40 UPPER PANEL REMOVAL/INSTALLATION.)
2. Remove the selector lever knob. (See 05-18-2 AUTOMATIC TRANSAXLE SHIFT MECHANISM REMOVAL/INSTALLATION)
3. Pull the shift panel in the direction of the arrow shown in the figure and remove it while detaching the clips A, hook B and guides C.



am3uuw0000528

INTERIOR TRIM

4. Pull the shift panel in the direction of the arrow (1), (2), (3) while remove the hooks D, E and guide F.



09-17

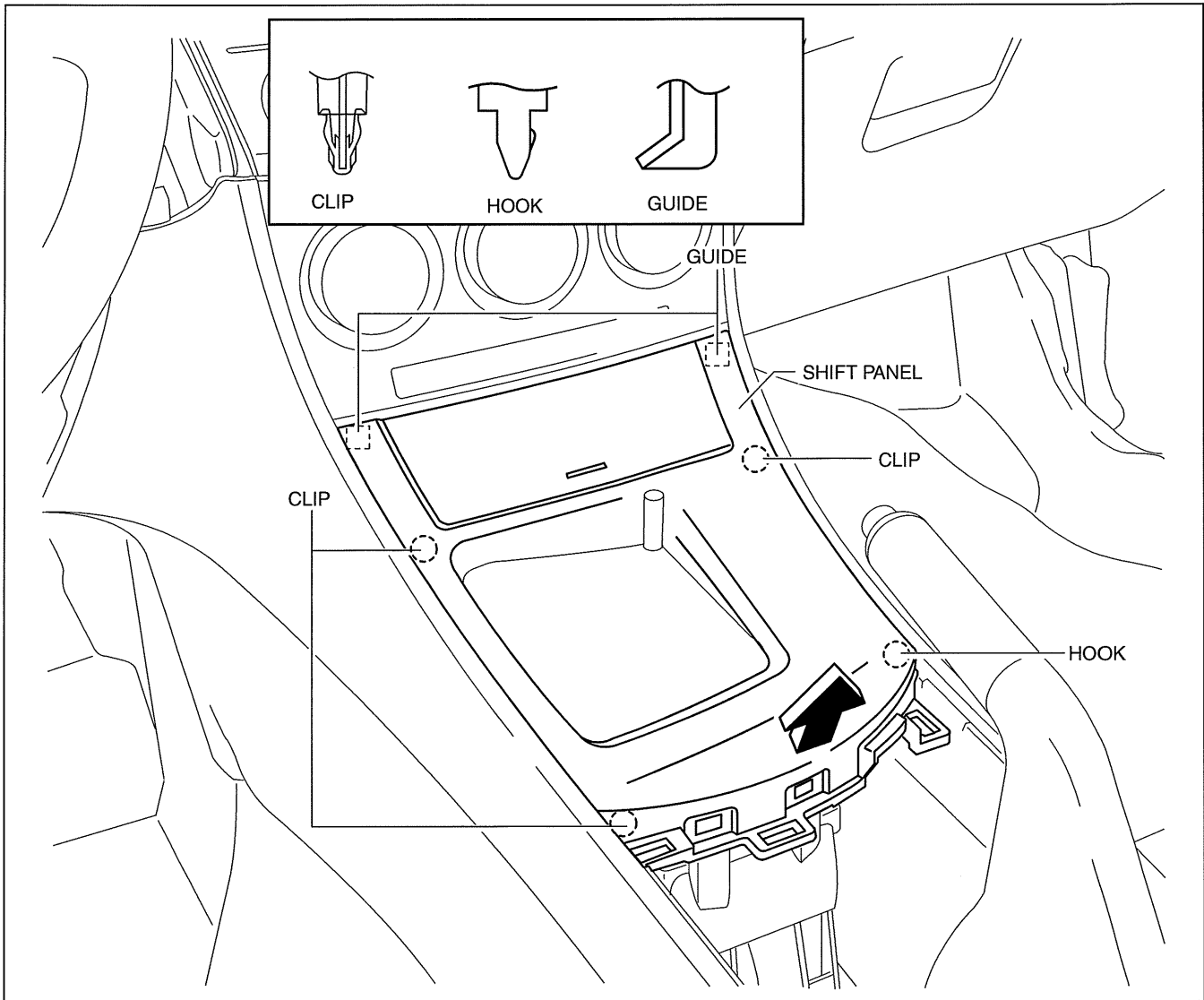
am3uuw0000550

5. Remove the shift panel.
6. Install in the reverse order of removal.

INTERIOR TRIM

MTX

1. Remove the upper panel. (See 09-17-40 UPPER PANEL REMOVAL/INSTALLATION.)
2. Remove the shift knob. (See 05-16-2 MANUAL TRANSAXLE SHIFT MECHANISM REMOVAL/INSTALLATION)
3. Pull the shift panel in the direction of the arrow shown in the figure and remove it while detaching the clips, hook and guides.



am3uuw0000528

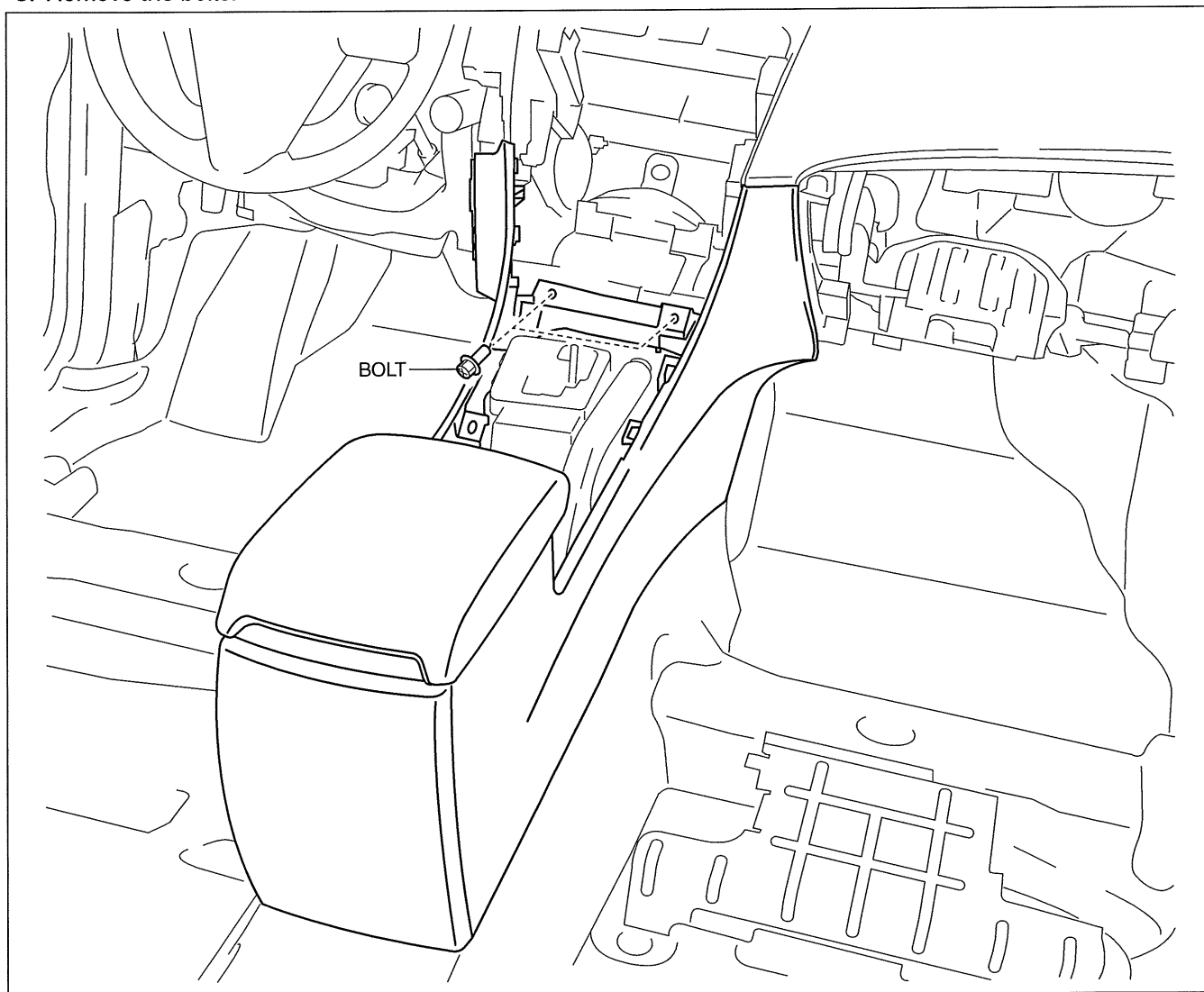
4. Remove the shift panel.
5. Install in the reverse order of removal.

INTERIOR TRIM

CONSOLE REMOVAL/INSTALLATION

id091700801200

1. Disconnect the negative battery cable.
2. Remove the following parts:
 - (1) Upper panel (See 09-17-40 UPPER PANEL REMOVAL/INSTALLATION.)
 - (2) Shift knob (MTX) (See 05-16-2 MANUAL TRANSAXLE SHIFT MECHANISM REMOVAL/INSTALLATION.)
 - (3) Selector lever knob (ATX) (See 05-18-2 AUTOMATIC TRANSAXLE SHIFT MECHANISM REMOVAL/INSTALLATION.)
 - (4) Shift panel (See 09-17-42 SHIFT PANEL REMOVAL/INSTALLATION.)
 - (5) Side wall (See 09-17-37 SIDE WALL REMOVAL/INSTALLATION.)
3. Remove the bolts.

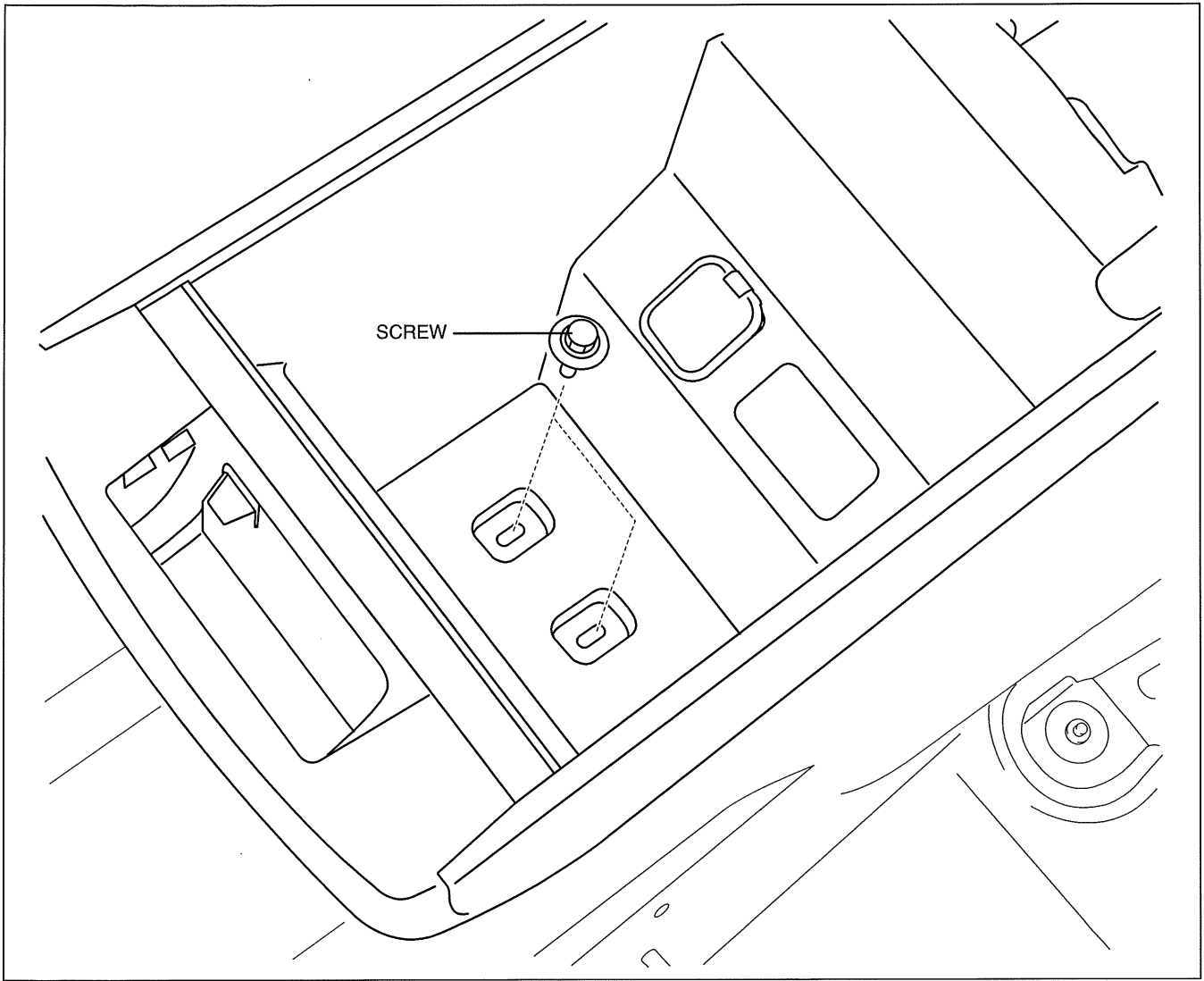


09-17

am3uuw0000476

INTERIOR TRIM

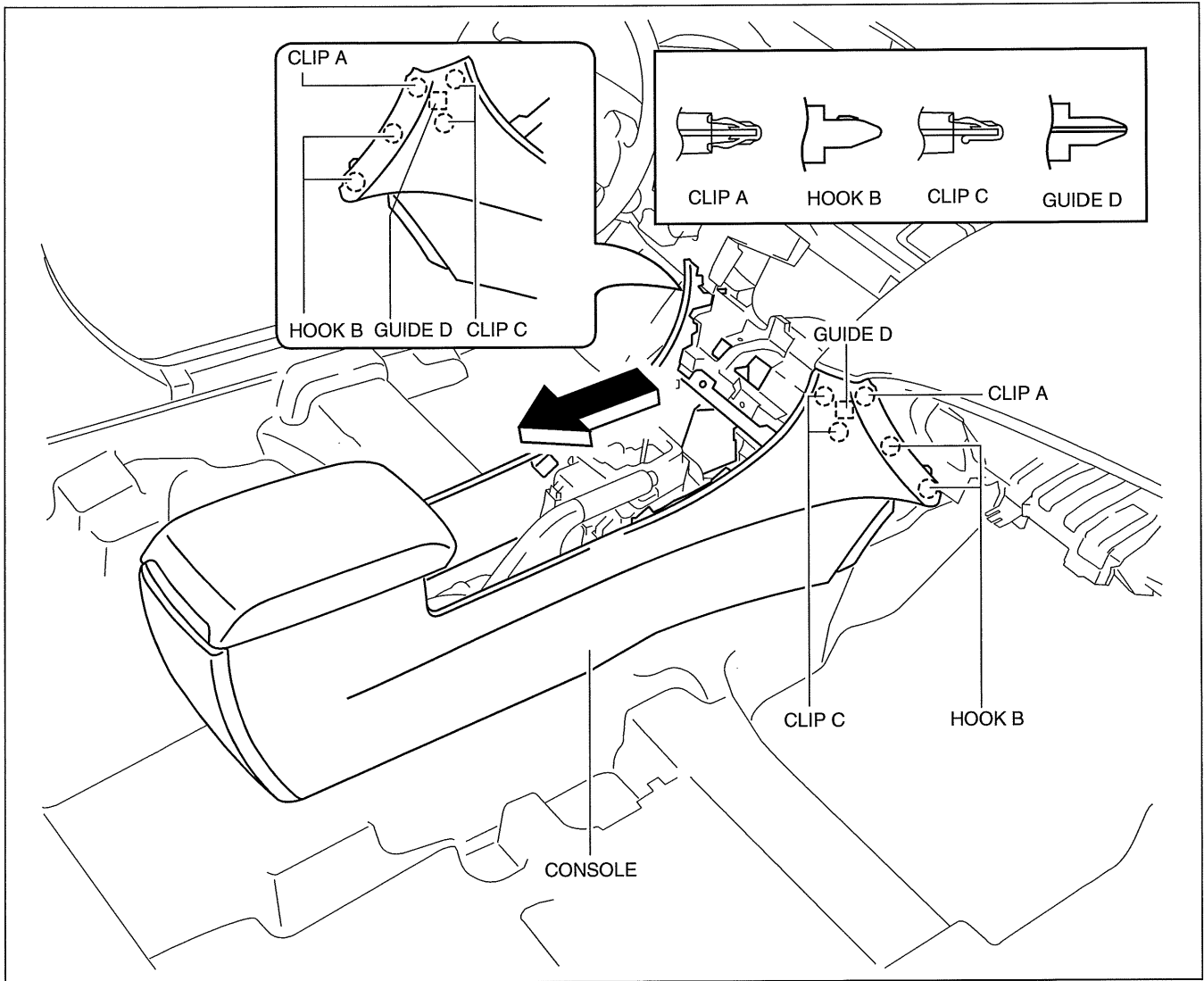
4. Remove the screws.



am3uuw0000476

INTERIOR TRIM

5. Pull the console in the direction of the arrow shown in the figure, then detaching clips A, C hooks B and guides D.

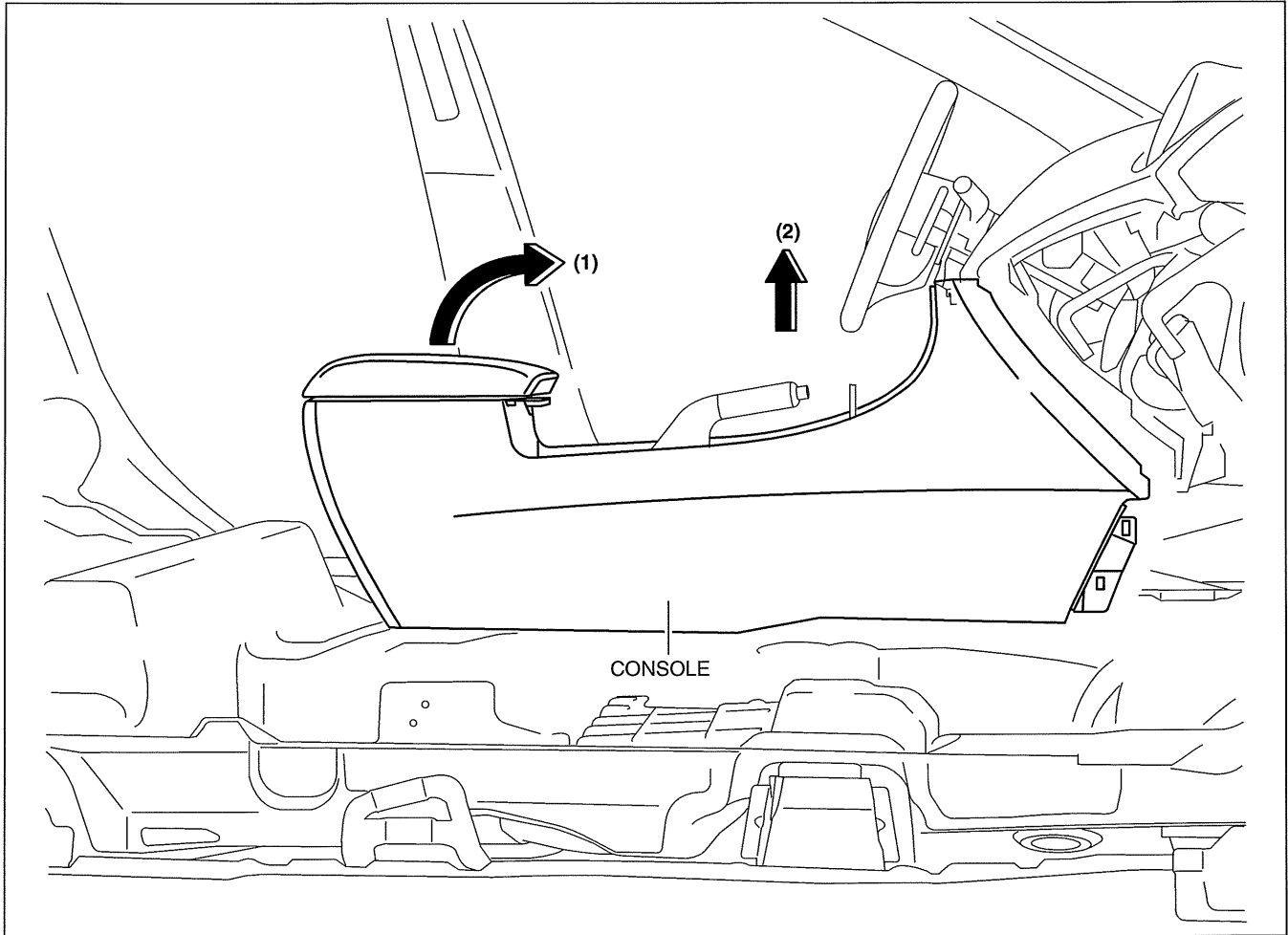


09-17

am3uuw0000550

INTERIOR TRIM

6. Pull up the console in the direction of the arrow (1) shown in the figure, move the rear console in the direction of the arrow (2), and remove it avoiding the parking brake lever.



am3uuw0000528

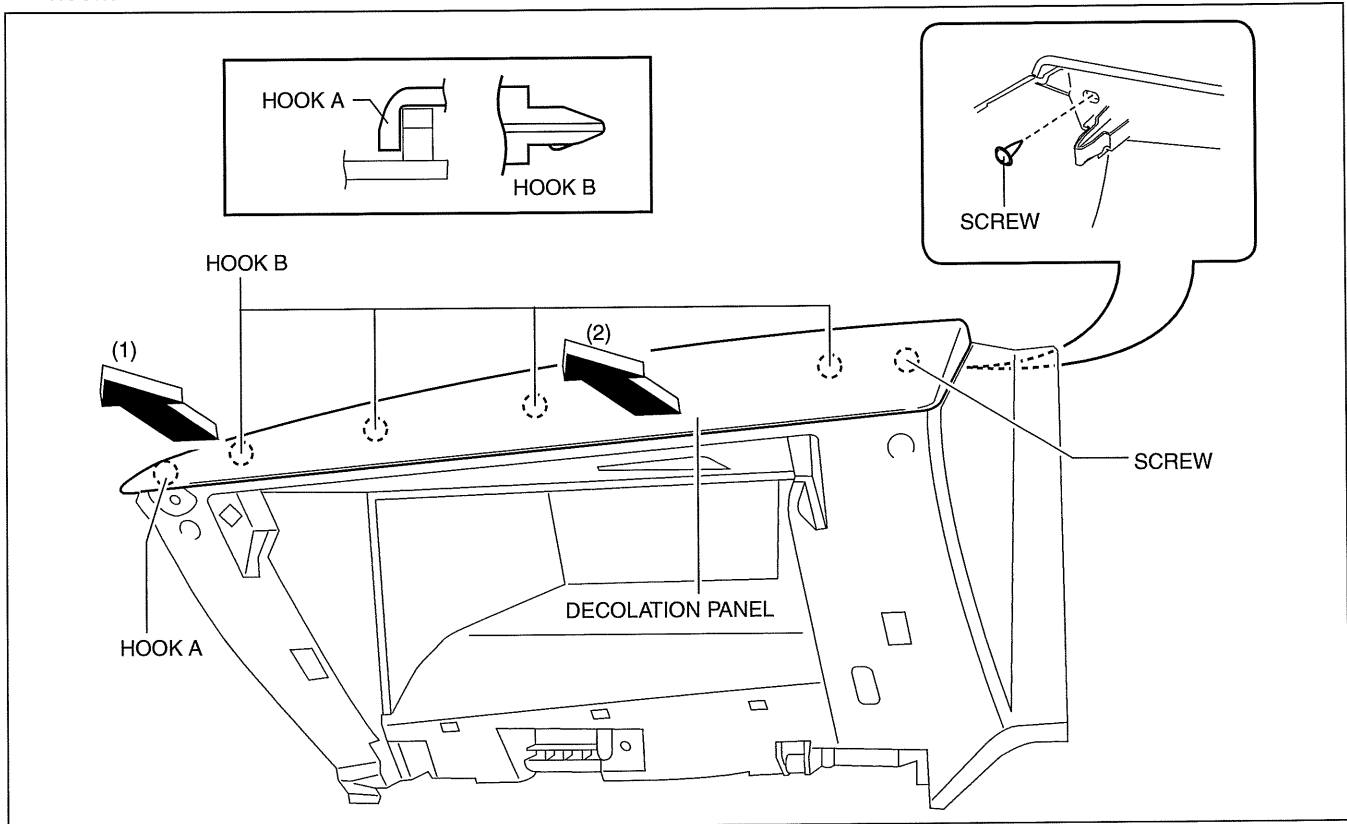
7. Install in the reverse order of removal.

INTERIOR TRIM

DECORATION PANEL REMOVAL/INSTALLATION

id091700806600

1. Remove the following parts:
 - (1) Passenger-side front scuff plate (See 09-17-67 FRONT SCUFF PLATE REMOVAL/INSTALLATION.)
 - (2) Passenger-side front side trim (See 09-17-53 FRONT SIDE TRIM REMOVAL/INSTALLATION.)
 - (3) Grove compartment (See 09-17-33 GLOVE COMPARTMENT REMOVAL/INSTALLATION.)
 - (4) Passenger-side lower panel (See 09-17-27 LOWER PANEL REMOVAL/INSTALLATION.)
2. Remove the screw.
3. Pull the decoration panel in the direction of the arrow (1), (2) shown in the figure, while remove the hook A and hooks B.



09-17

am3uuw0000549

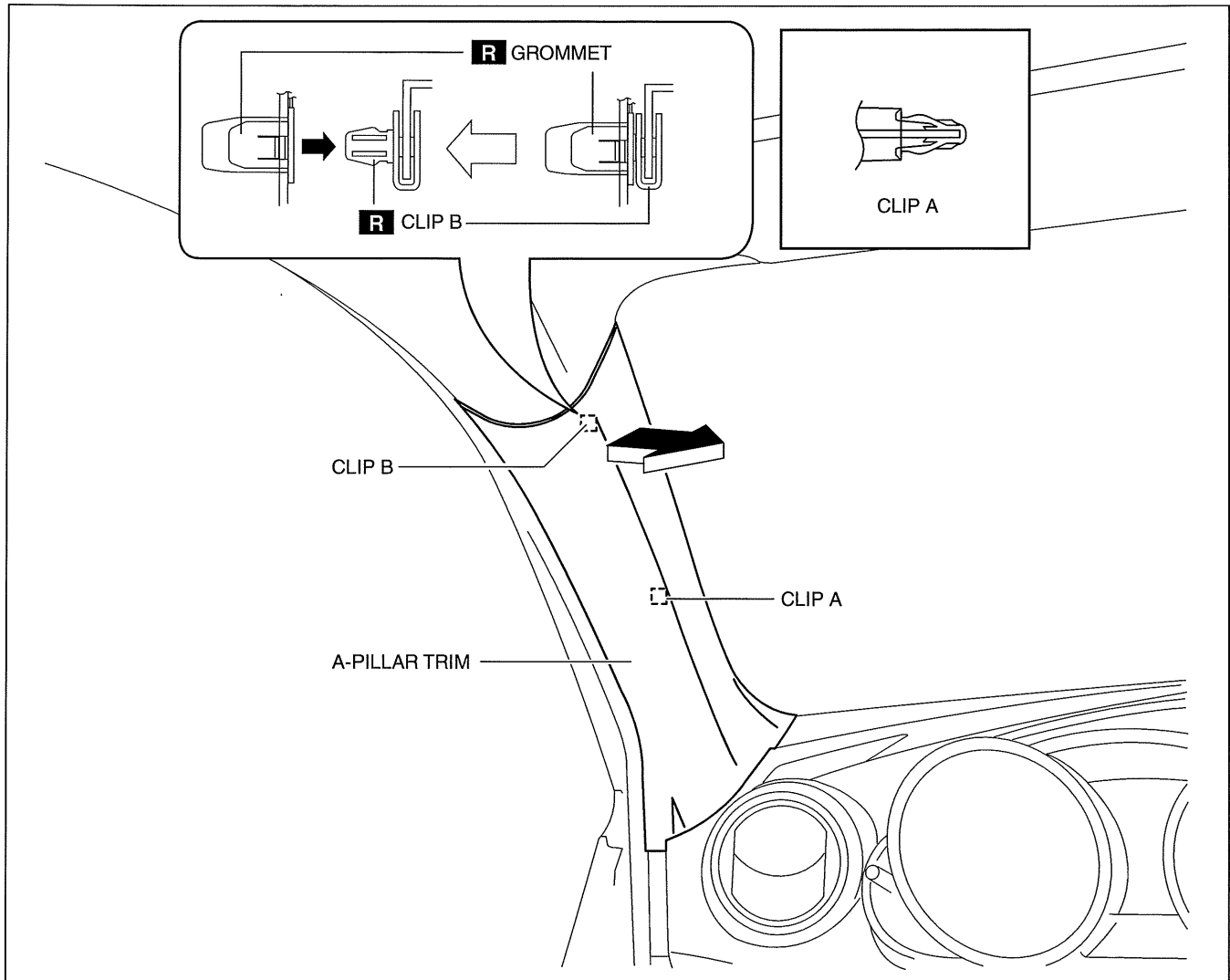
4. Remove the decoration panel.
5. Install in the reverse order of removal.

INTERIOR TRIM

id091700801900

A-PILLAR TRIM REMOVAL/INSTALLATION

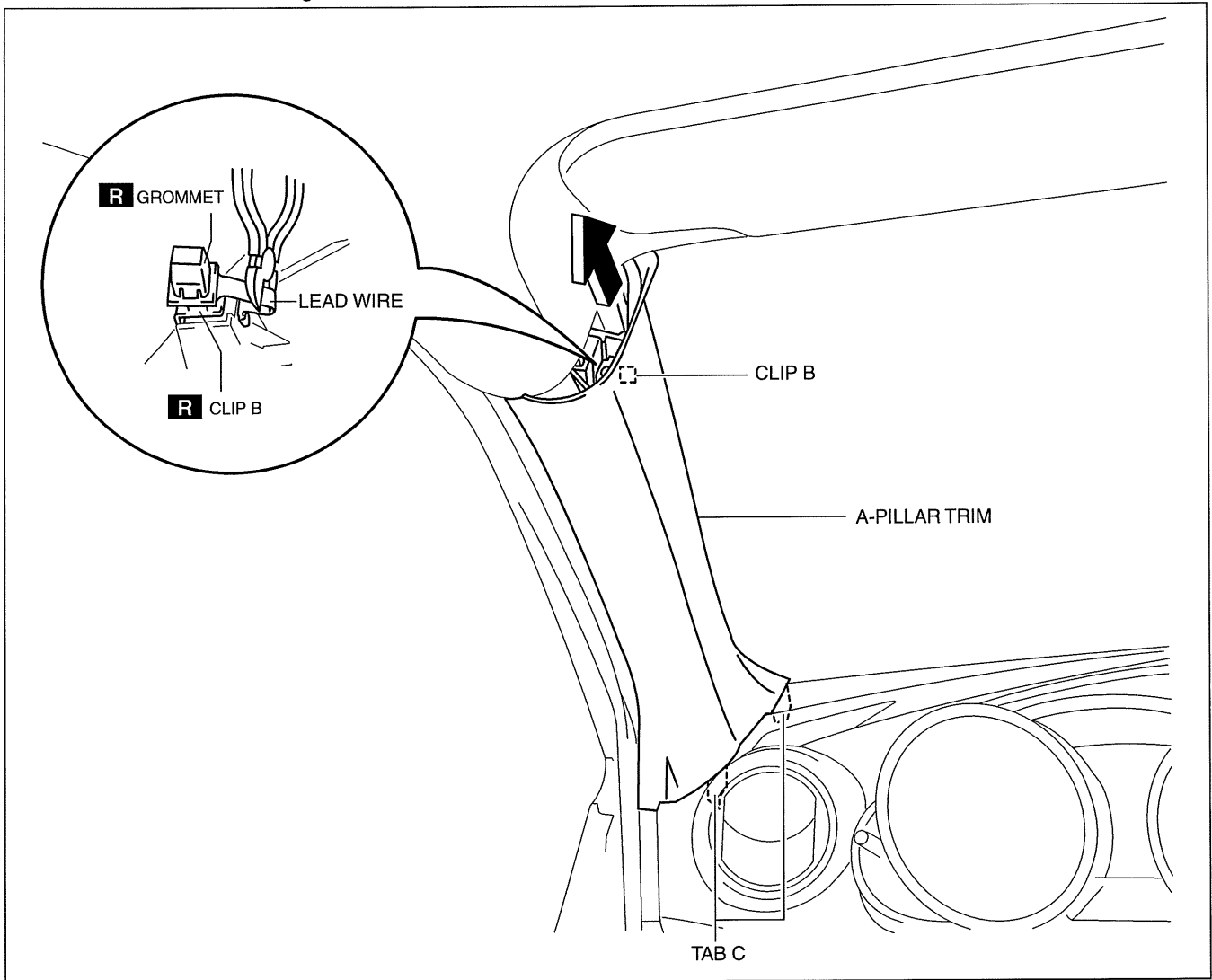
1. Partially peel back the seaming welt.
2. Pull the upper end of the A-pillar trim in the direction of the arrow shown in the figure and remove clip A and B.



am3uuw0000526

INTERIOR TRIM

3. Cut the lead wire connecting clip B and grommet using a nipper and pull out the A-pillar trim in the direction of the arrow shown in the figure.



am3uuw0000526

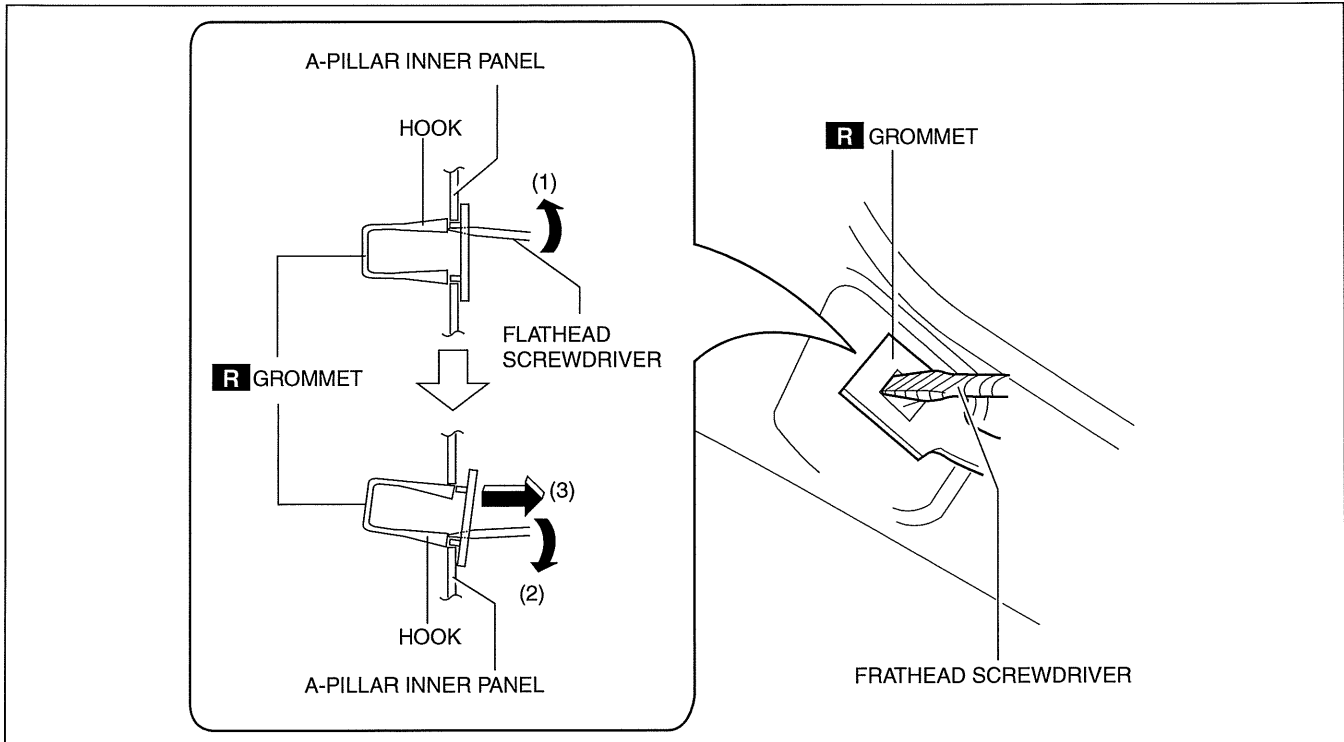
Caution

- When pulling out the A-pillar trim, be careful not to damage the tabs C.

09-17

INTERIOR TRIM

4. Move the hook in the direction of arrows (1) and (2) shown in the figure using a flathead screwdriver and detach it from the A-pillar inner panel.



am6zzw0000166

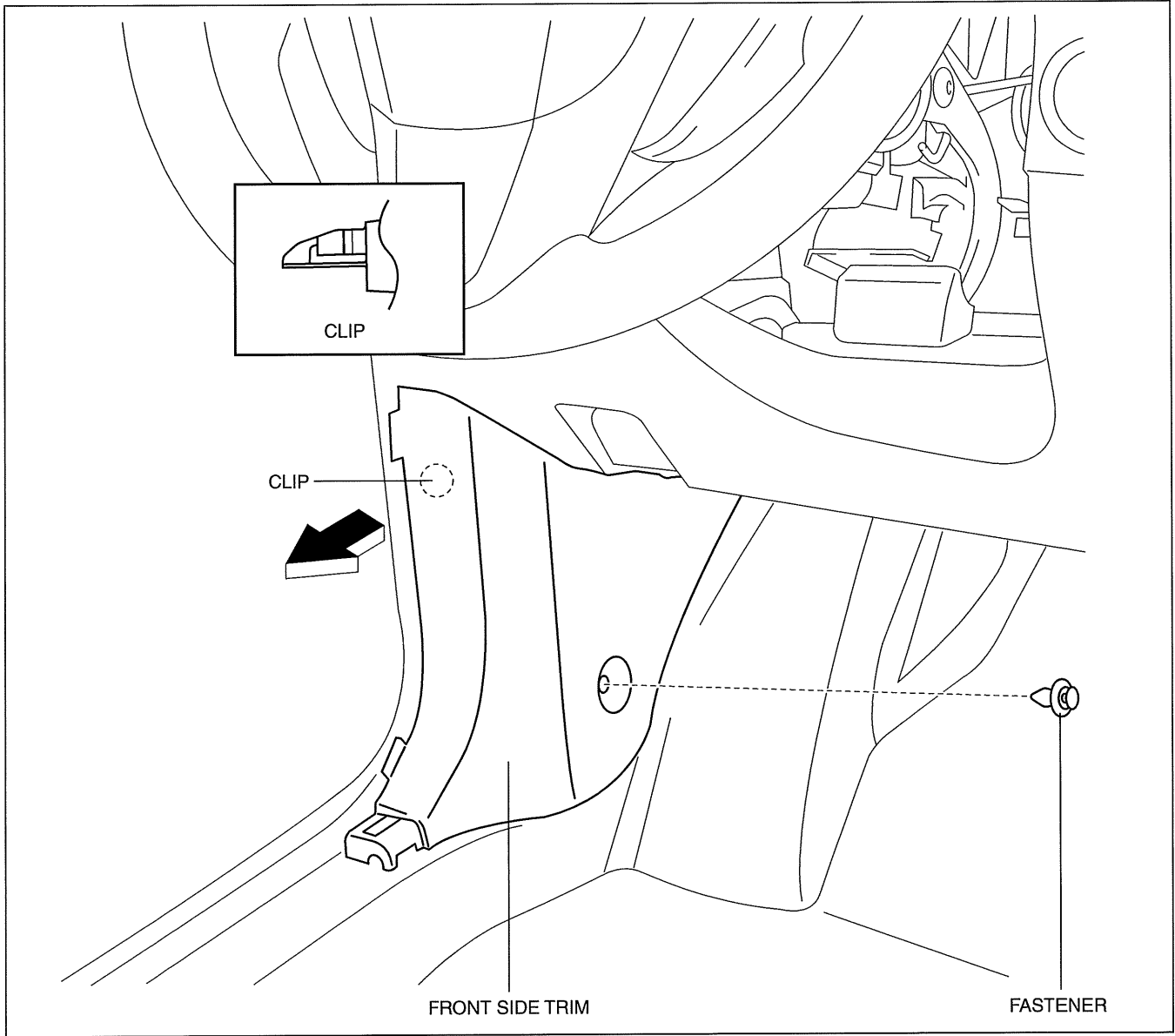
5. Remove the grommet in the direction of the arrow (3) shown in the figure.
6. When installing the A-pillar, install the new clip B and grommet to the A-pillar trim in advance.
7. Install in the reverse order of removal.

INTERIOR TRIM

FRONT SIDE TRIM REMOVAL/INSTALLATION

id091700802400

1. Remove the front scuff plate. (See 09-17-67 FRONT SCUFF PLATE REMOVAL/INSTALLATION.)
2. Partially peel back the seaming welt.
3. Remove the fastener.
4. Pull the front side trim in the direction of the arrow and detach the clip.



09-17

am3uuw0000477

5. Install in the reverse order of removal.

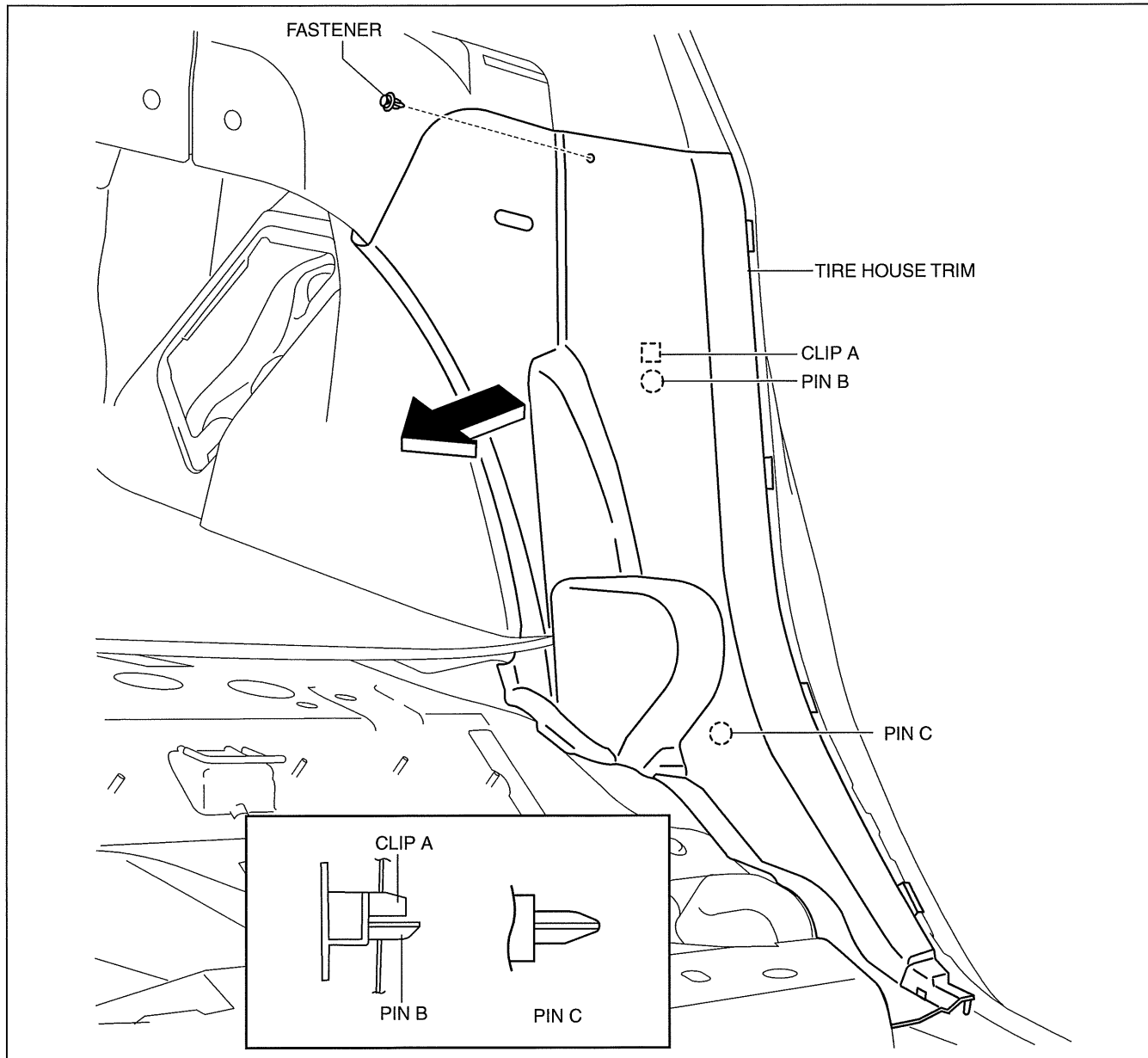
INTERIOR TRIM

TIRE HOUSE TRIM REMOVAL/INSTALLATION

id091700802700

4SD

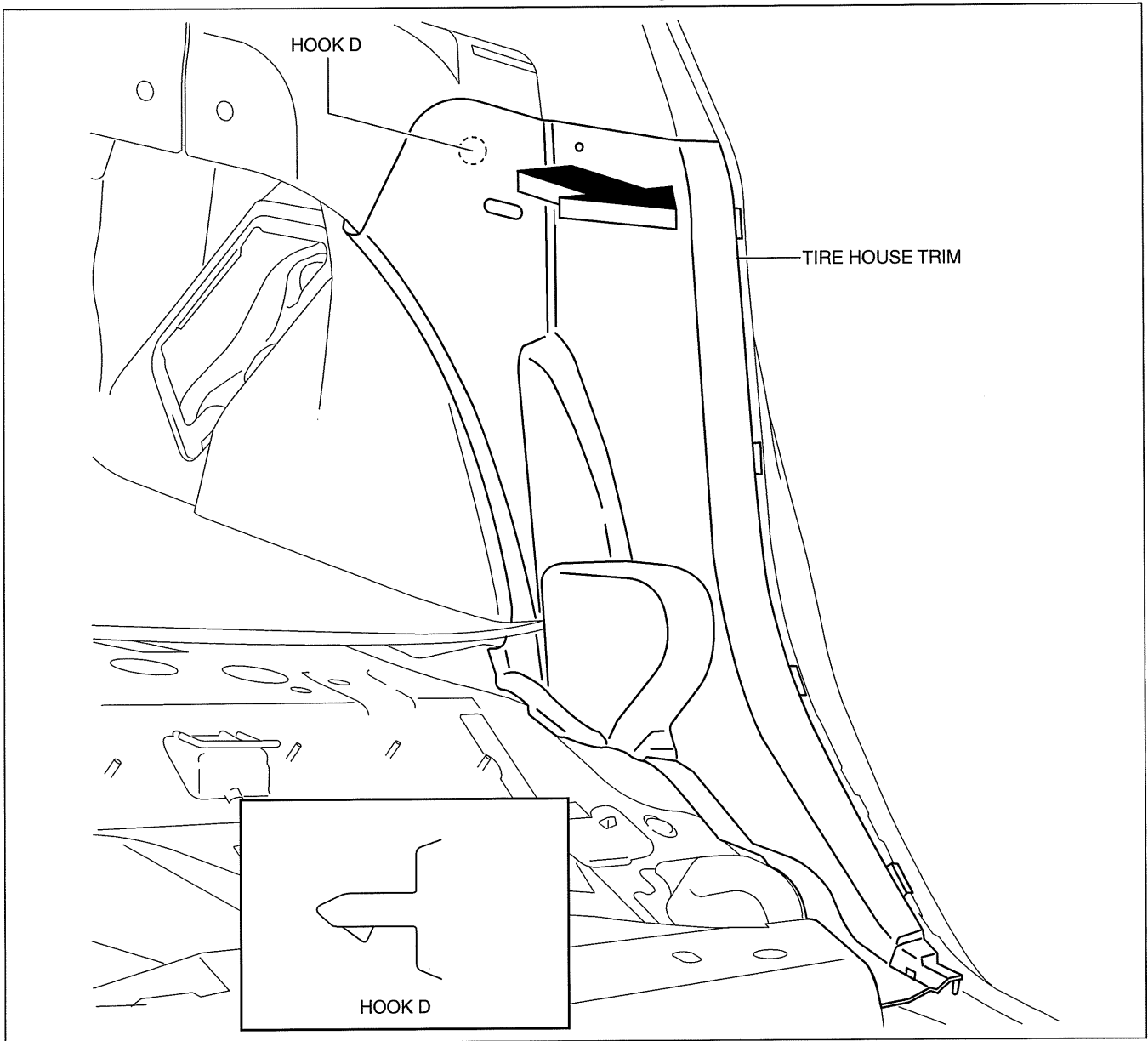
1. Remove the rear seat cushion. (See 09-13-37 REAR SEAT CUSHION REMOVAL/INSTALLATION.)
2. Remove the rear scuff plate. (See 09-17-68 REAR SCUFF PLATE REMOVAL/INSTALLATION.)
3. Partially peel back the seaming welt.
4. Remove the fastener.
5. Pull the tire house trim in the direction of arrow shown in the figure while remove the clip A, pin B and C.



am3uuw0000477

INTERIOR TRIM

6. Pull the tire house trim in the direction of arrow shown in the figure while remove the hook D.



am3uuw0000518

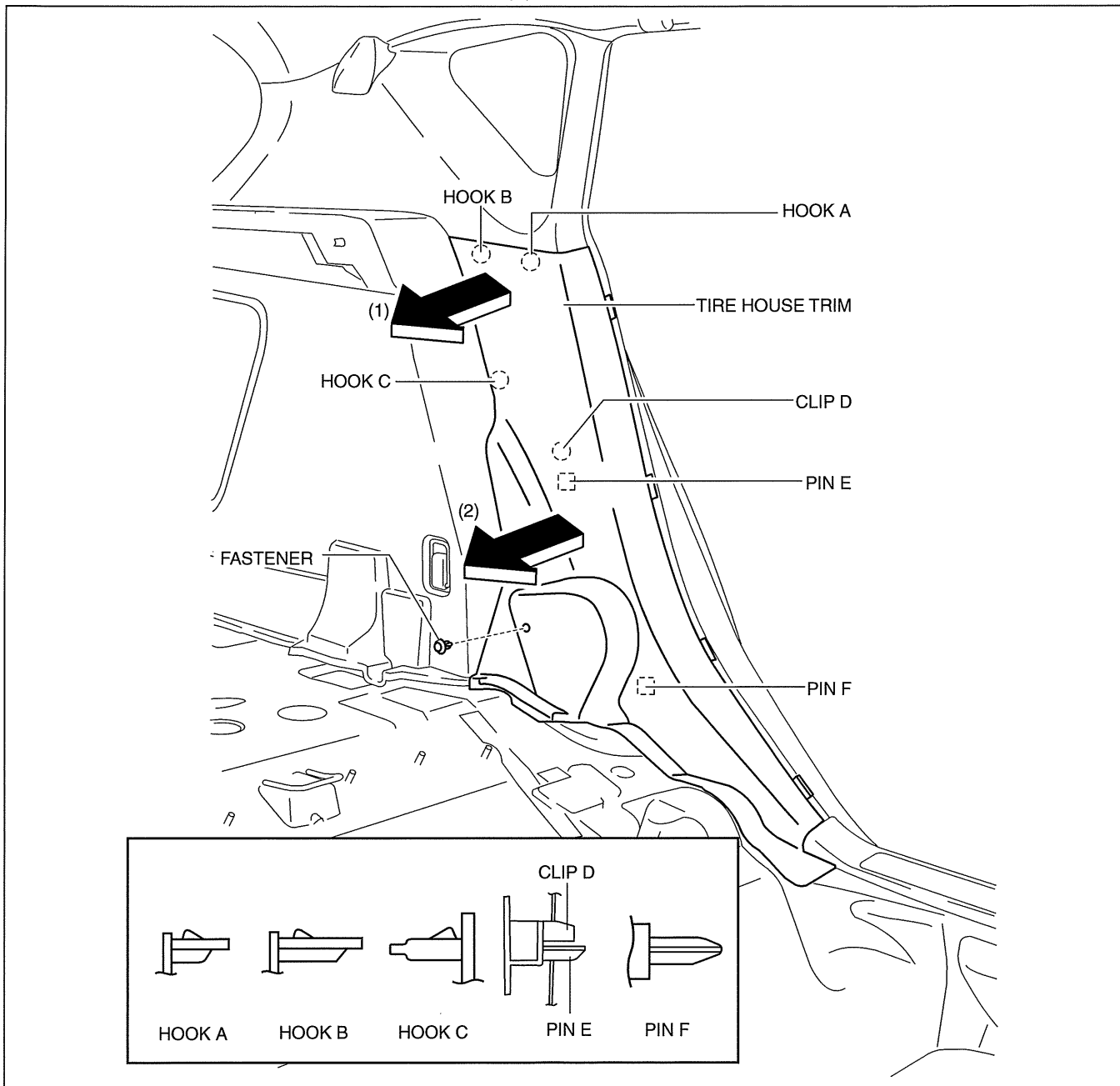
7. Remove the tire house trim.
8. Install in the reverse order of removal.

09-17

INTERIOR TRIM

5HB

1. Remove the rear seat cushion. (See 09-13-37 REAR SEAT CUSHION REMOVAL/INSTALLATION.)
2. Remove the rear scuff plate. (See 09-17-68 REAR SCUFF PLATE REMOVAL/INSTALLATION.)
3. Partially peel back the seaming welt.
4. Remove the fasteners.
5. Pull the tire house trim in the direction of arrow (1), while remove the hook A and B.



am3uuw0000518

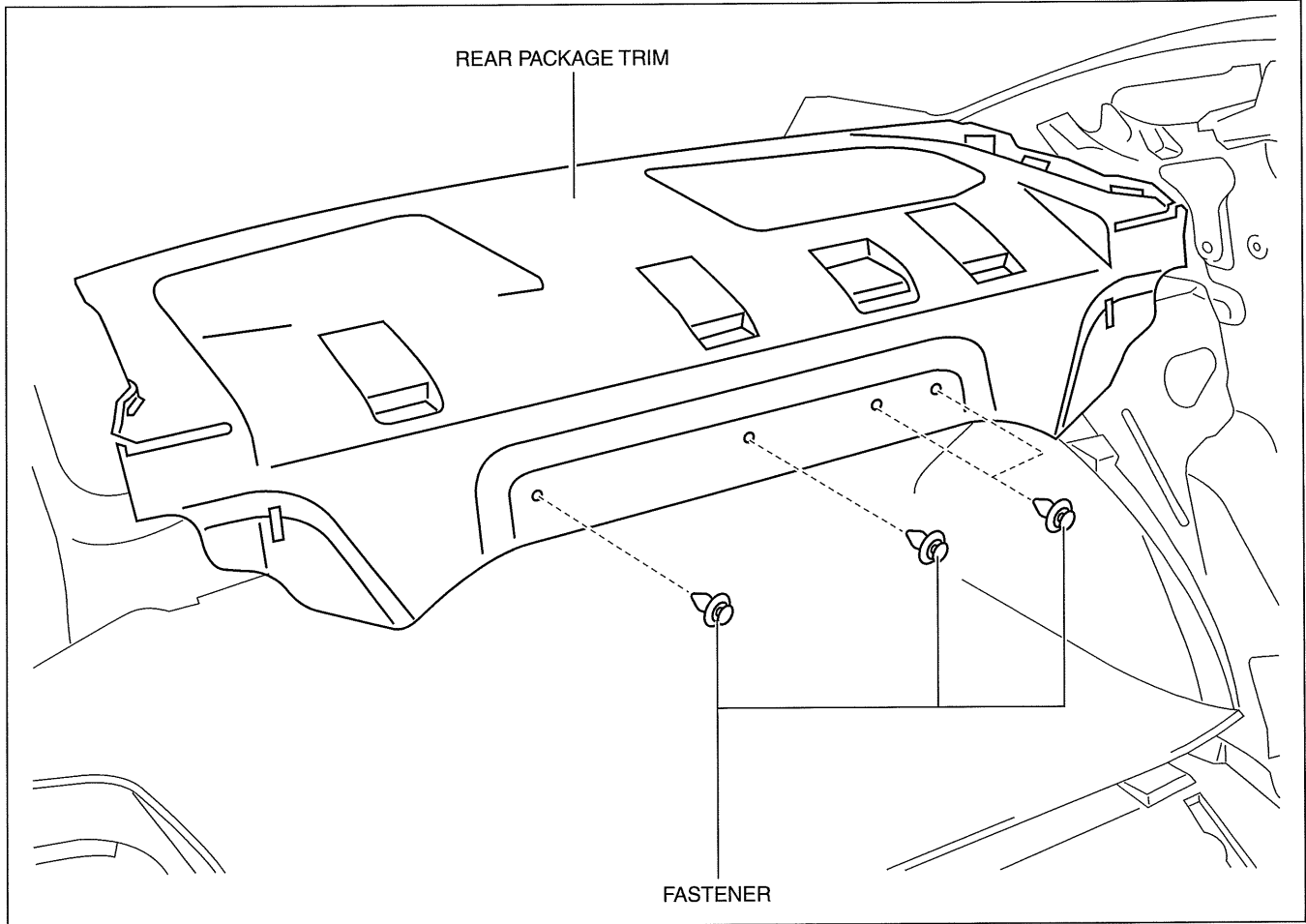
6. Pull the tire house trim in the direction of arrow (2), while remove the hook C, clip D, pin E and F.
7. Remove the tire house trim.
8. Install in the reverse order of removal.

INTERIOR TRIM

REAR PACKAGE TRIM REMOVAL/INSTALLATION

id091700802800

1. Remove the following parts:
 - (1) Rear seat cushion (See 09-13-37 REAR SEAT CUSHION REMOVAL/INSTALLATION.)
 - (2) Rear scuff plate (See 09-17-68 REAR SCUFF PLATE REMOVAL/INSTALLATION.)
 - (3) Tire house trim (See 09-17-54 TIRE HOUSE TRIM REMOVAL/INSTALLATION.)
 - (4) C-pillar trim (See 09-17-63 C-PILLAR TRIM REMOVAL/INSTALLATION.)
2. Fold the rear seat back.
3. Remove the fasteners.

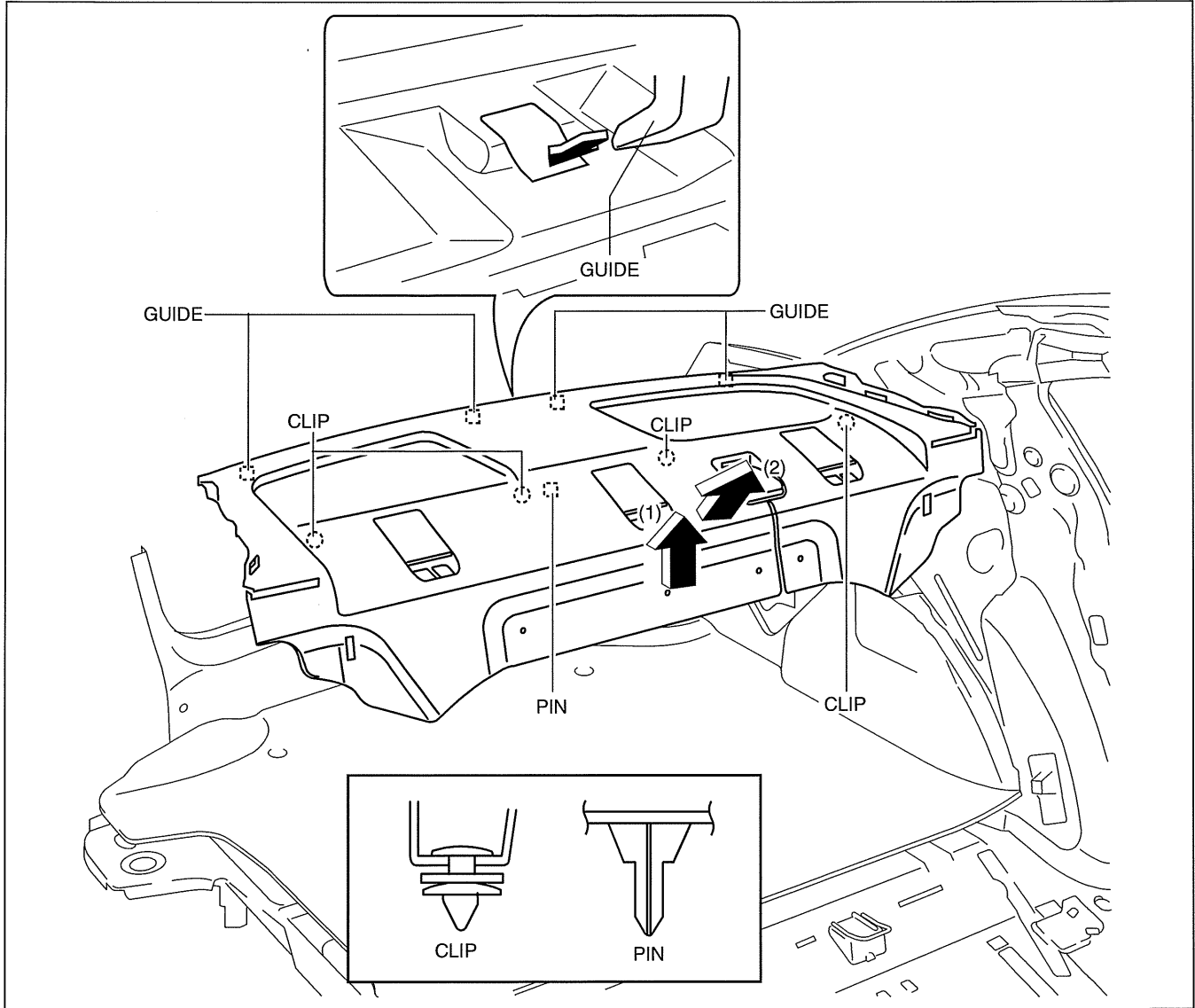


09-17

am6zzw0000171

INTERIOR TRIM

4. Pull up the rear package trim in the direction of the arrow (1) shown in the figure while remove the clips and pin, pull the rear package trim in the direction of the arrow (2), and remove it while pulling out the guides.



am3uuw0000516

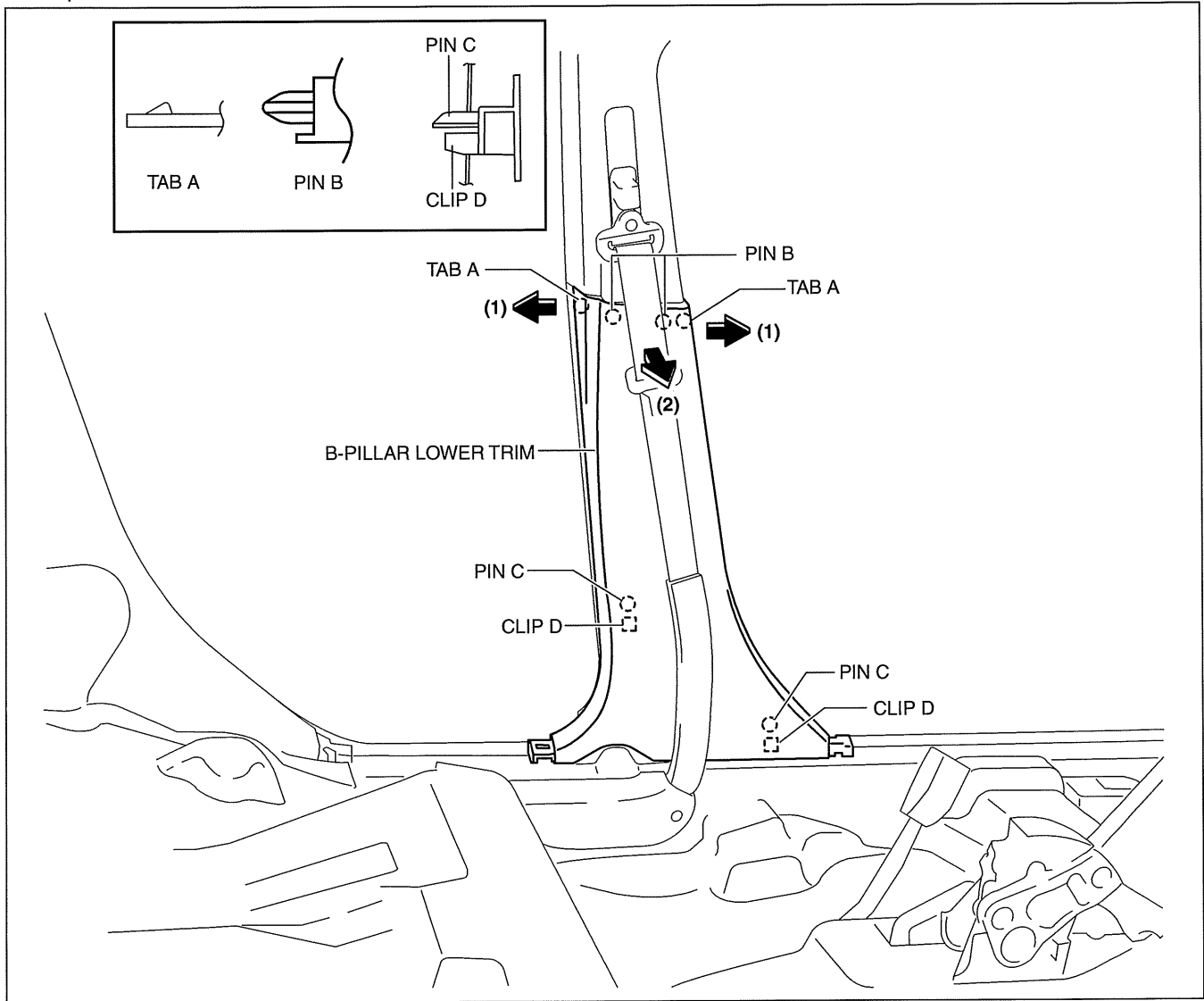
5. Install in the reverse order of removal.

INTERIOR TRIM

B-PILLAR LOWER TRIM REMOVAL/INSTALLATION

id091700802000

1. Remove the front scuff plate. (See 09-17-67 FRONT SCUFF PLATE REMOVAL/INSTALLATION)
2. Remove the rear scuff plate. (See 09-17-68 REAR SCUFF PLATE REMOVAL/INSTALLATION)
3. Partially peel back the seaming welt.
4. Pull the B-pillar lower trim in the direction of the arrow (1), (2) shown in the figure, detach tab A, pin B, pin C, clip D.

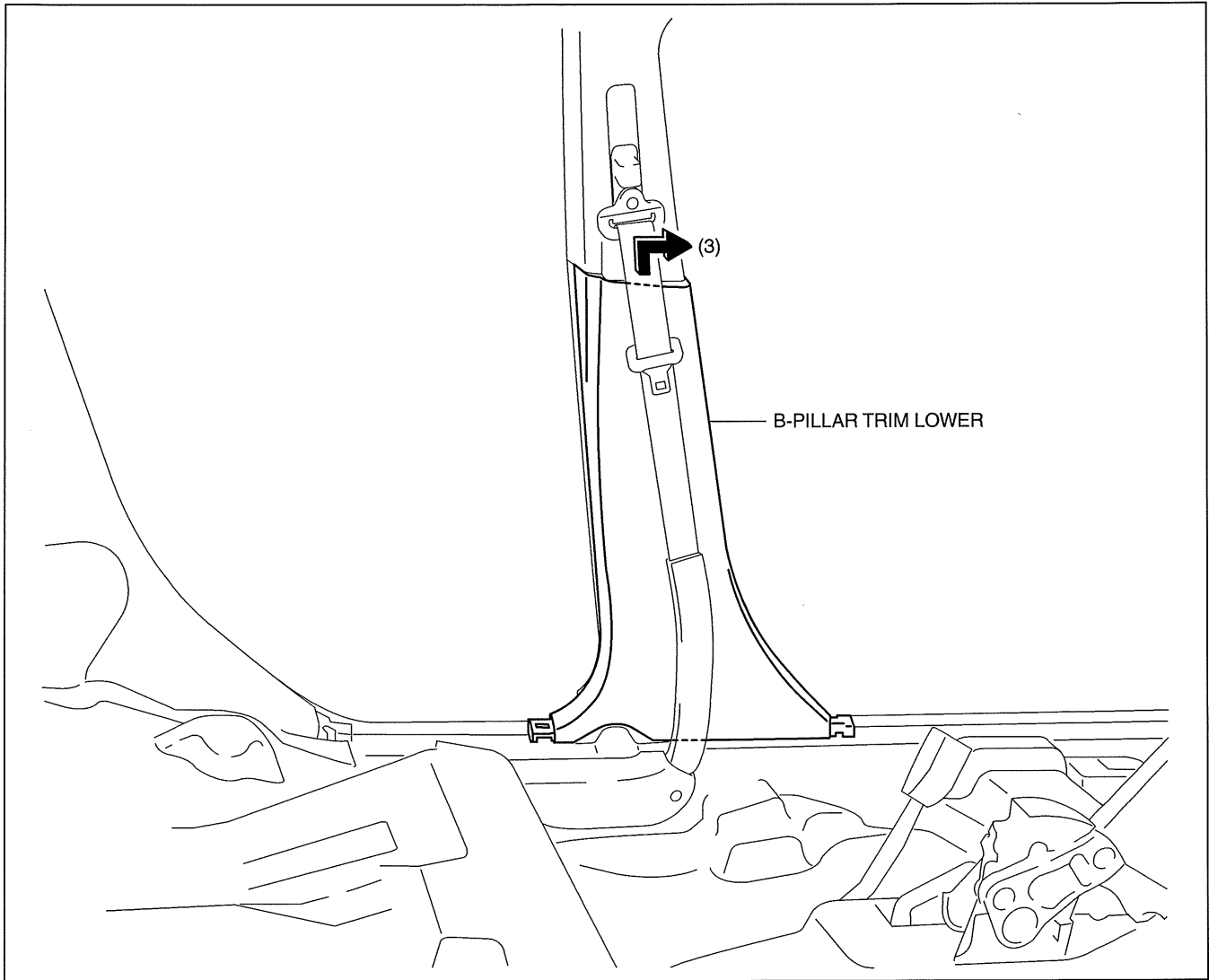


am3uuw0000527

09-17

INTERIOR TRIM

5. Remove the B-pillar lower trim in the direction of the arrow (3) shown in the figure.



am3uuw0000477

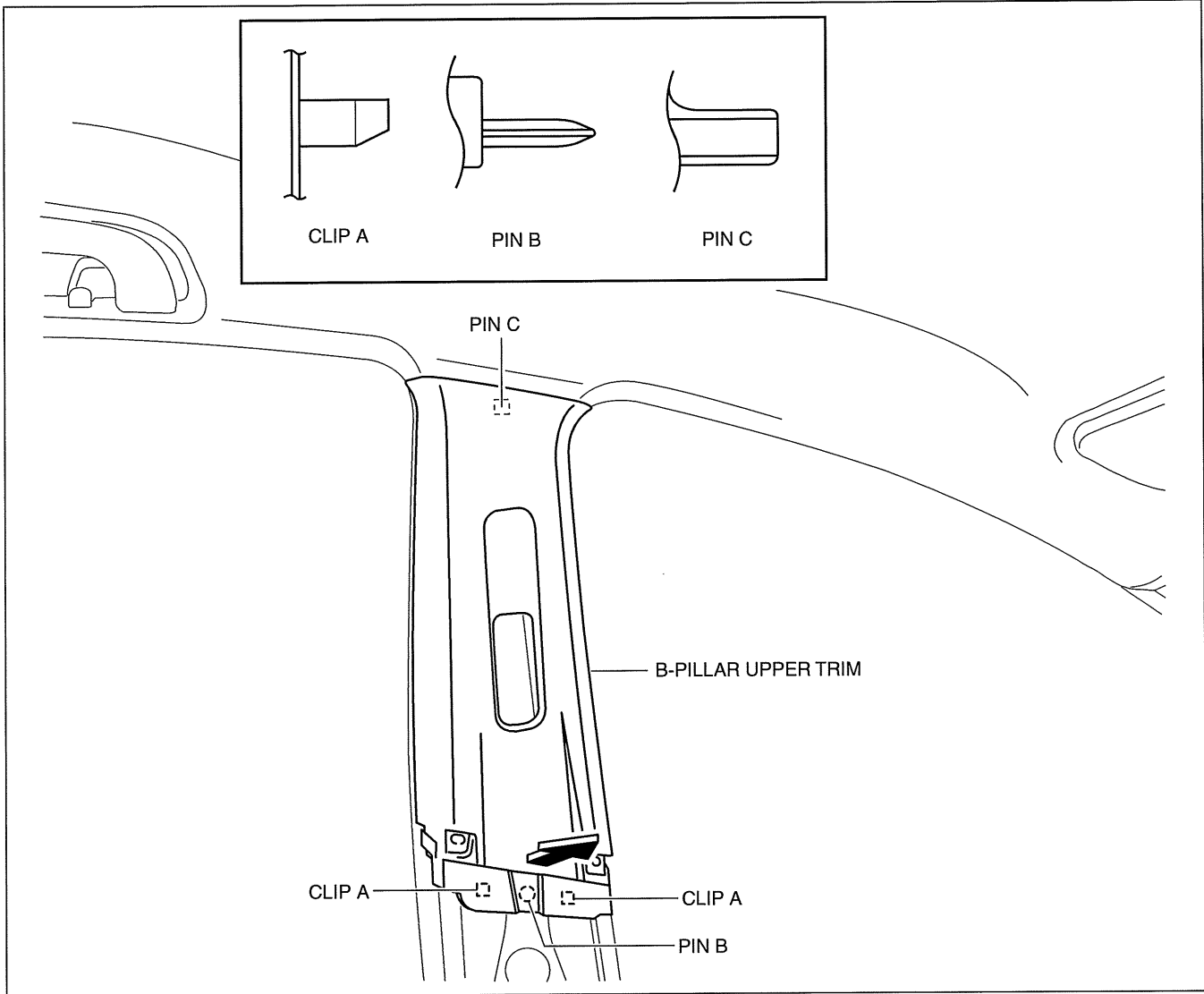
6. Install in the reverse order of removal.

INTERIOR TRIM

B-PILLAR UPPER TRIM REMOVAL/INSTALLATION

id091700802100

1. Remove the following parts:
 - (1) Adjuster anchor cover (See 08-11-3 FRONT SEAT BELT REMOVAL/INSTALLATION.)
 - (2) Upper anchor installation bolts on the front seat belt (See 08-11-3 FRONT SEAT BELT REMOVAL/INSTALLATION.)
 - (3) Front scuff plate (See 09-17-67 FRONT SCUFF PLATE REMOVAL/INSTALLATION.)
 - (4) Rear scuff plate (See 09-17-68 REAR SCUFF PLATE REMOVAL/INSTALLATION.)
2. Partially peel back the seaming welt.
3. Remove the B-pillar lower trim. (See 09-17-59 B-PILLAR LOWER TRIM REMOVAL/INSTALLATION)
4. Grasp the lower end of the B-pillar upper trim, pull it in the direction of the arrow shown in the figure, and remove clips A, pin B, and pin C.

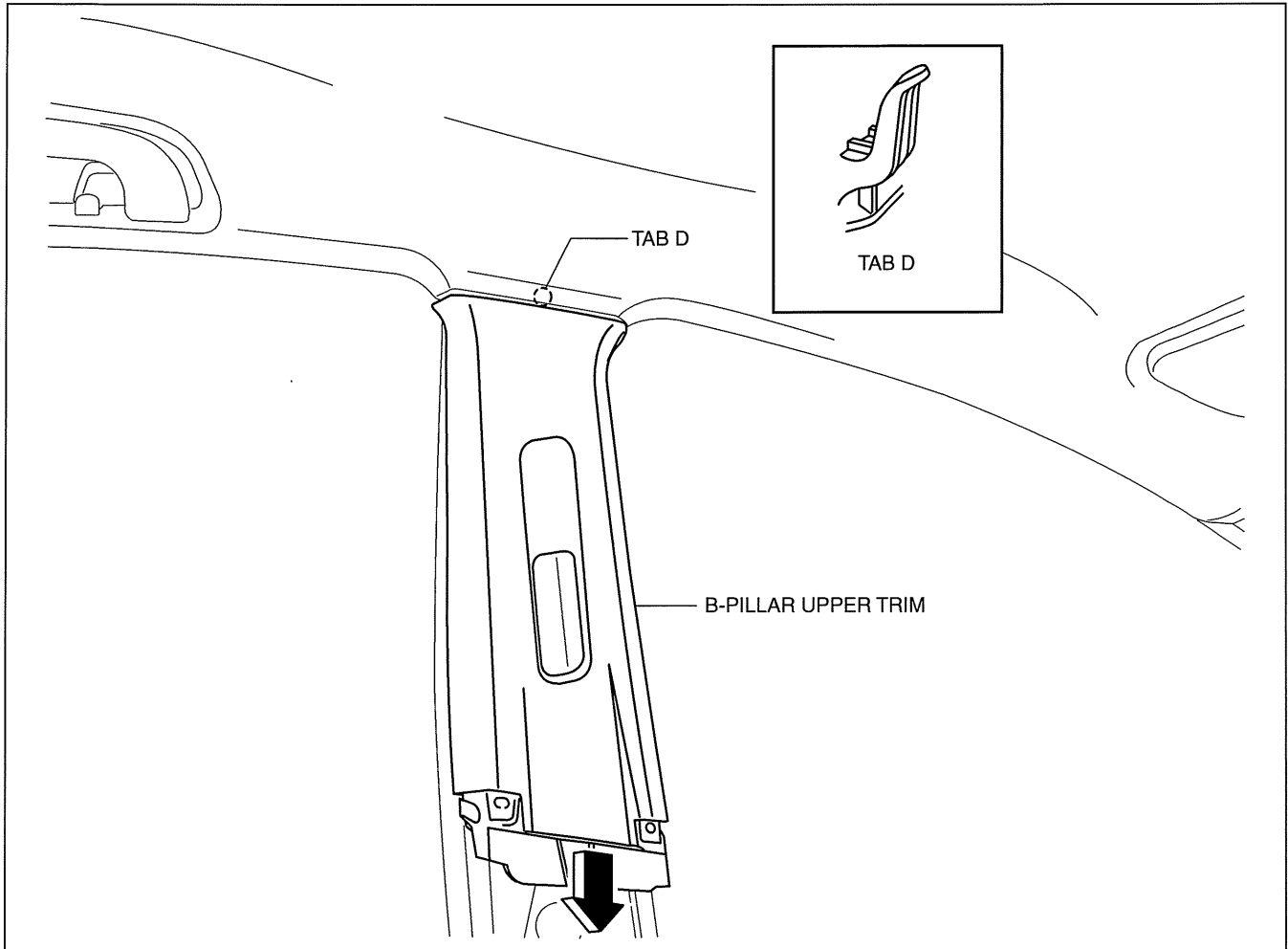


am6zzw0000454

09-17

INTERIOR TRIM

5. Remove the B-pillar upper trim in the direction of the arrow shown in the figure.



am3uuw0000527

Caution

- When removing the B-pillar upper trim, be careful not to damage the tab D.

6. Install in the reverse order of removal.

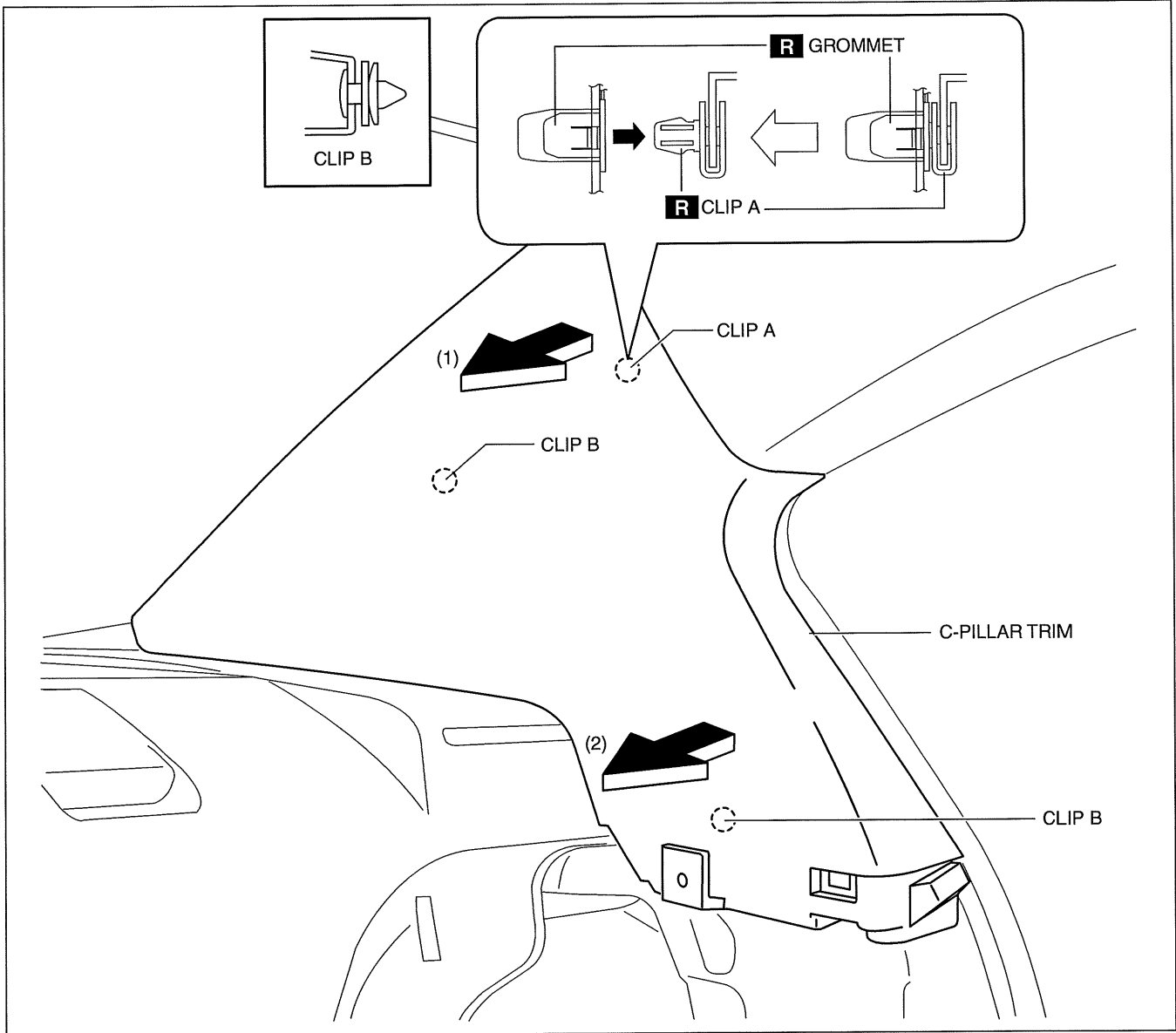
INTERIOR TRIM

C-PILLAR TRIM REMOVAL/INSTALLATION

id091700802200

4SD

1. Remove the following parts:
 - (1) Rear seat cushion (See 09-13-37 REAR SEAT CUSHION REMOVAL/INSTALLATION.)
 - (2) Rear scuff plate (See 09-17-68 REAR SCUFF PLATE REMOVAL/INSTALLATION.)
 - (3) Tire house trim (See 09-17-54 TIRE HOUSE TRIM REMOVAL/INSTALLATION.)
2. Partially peel back the seaming welt.
3. Pull the C-pillar trim in the direction of the arrow (1), (2) shown in the figure, then detaching clip A and B.

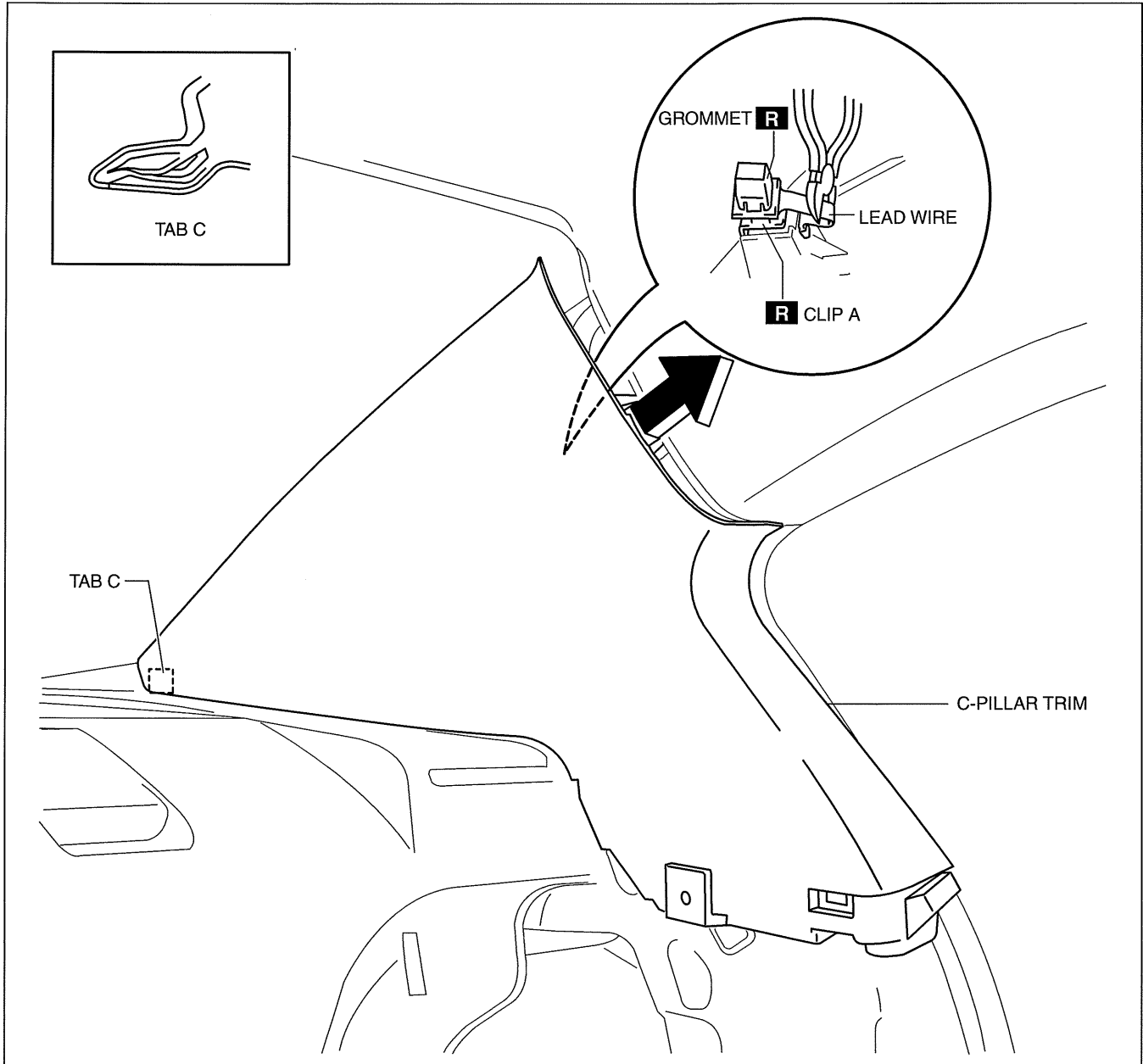


am3uuw0000477

09-17

INTERIOR TRIM

4. Cut the lead wire connecting clip A and grommet using a nipper and pull out the C-pillar trim in the direction of the arrow shown in the figure, while remove the tab C.



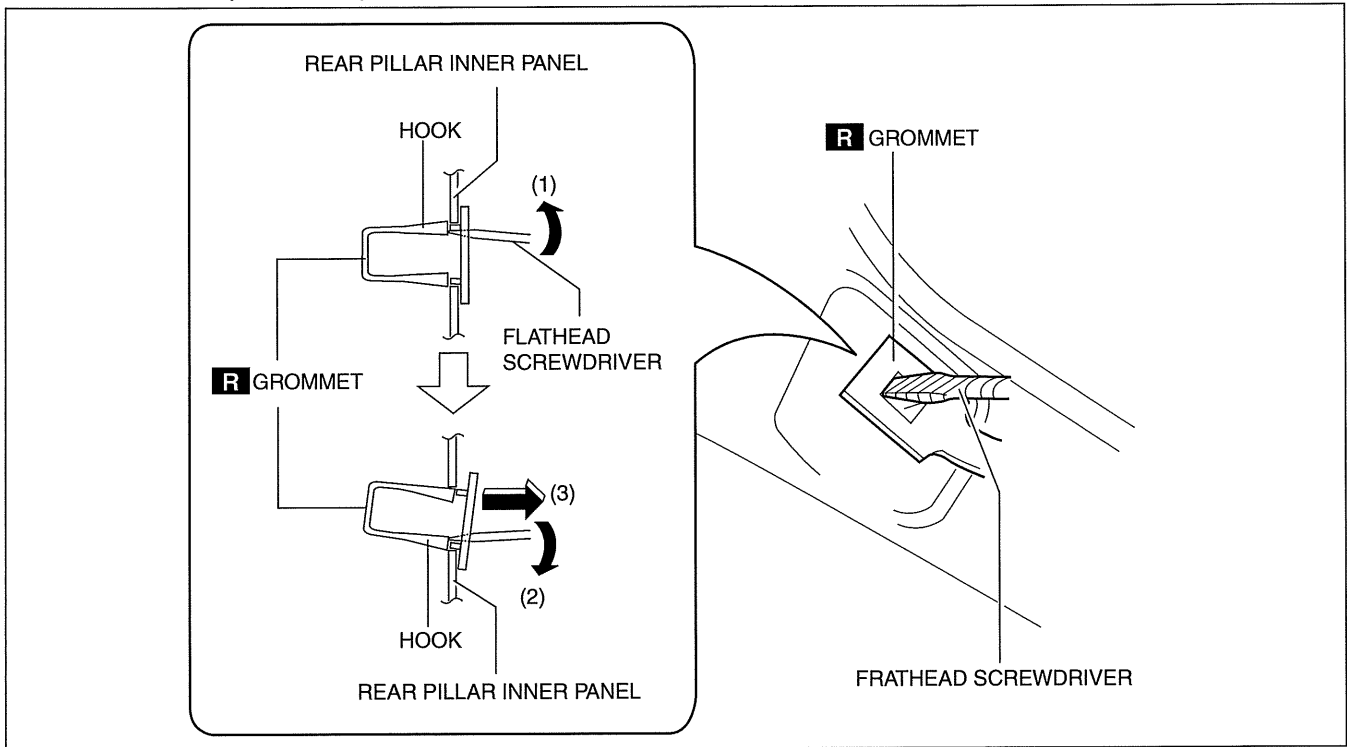
am3uuw0000477

Caution

- When removing the C-pillar trim, be careful not to damage the tab C.

INTERIOR TRIM

5. Move the hook in the direction of arrows (1) and (2) shown in the figure using a flathead screwdriver and detach it from the rear pillar inner panel.



am6zzw0000428

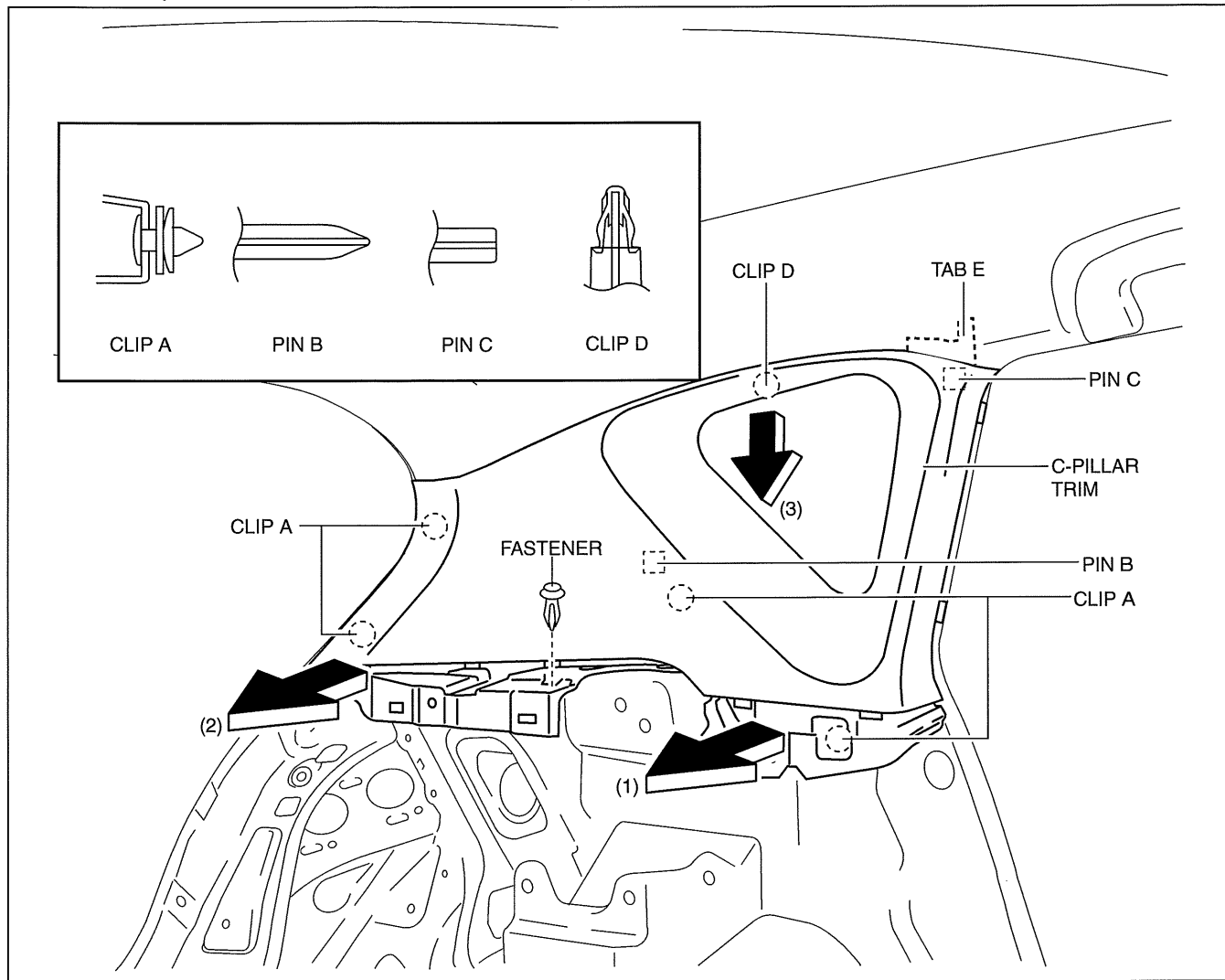
09-17

6. Remove the grommet in the direction of the arrow (3) shown in the figure.
7. When installing the C-pillar, install the new clip A and grommet to the C-pillar trim in advance.
8. Install in the reverse order of removal.

INTERIOR TRIM

5HB

1. Remove the following parts:
 - (1) Rear scuff plate (See 09-17-68 REAR SCUFF PLATE REMOVAL/INSTALLATION.)
 - (2) Tire house trim (See 09-17-54 TIRE HOUSE TRIM REMOVAL/INSTALLATION.)
 - (3) Trunk side upper trim (See 09-17-78 TRUNK SIDE UPPER TRIM REMOVAL/INSTALLATION.)
 - (4) Trunk side trim (See 09-17-74 TRUNK SIDE TRIM REMOVAL/INSTALLATION.)
2. Partially peel back the seaming welt.
3. Remove the fastener.
4. Pull the C-pillar trim in the direction of the arrow (1), (2) shown in the figure, then remove the clips A, pin B and C.
5. Pull the C-pillar trim in the direction of the arrow (3) shown in the figure, then remove the clips D and tab E.



am3uuw0000517

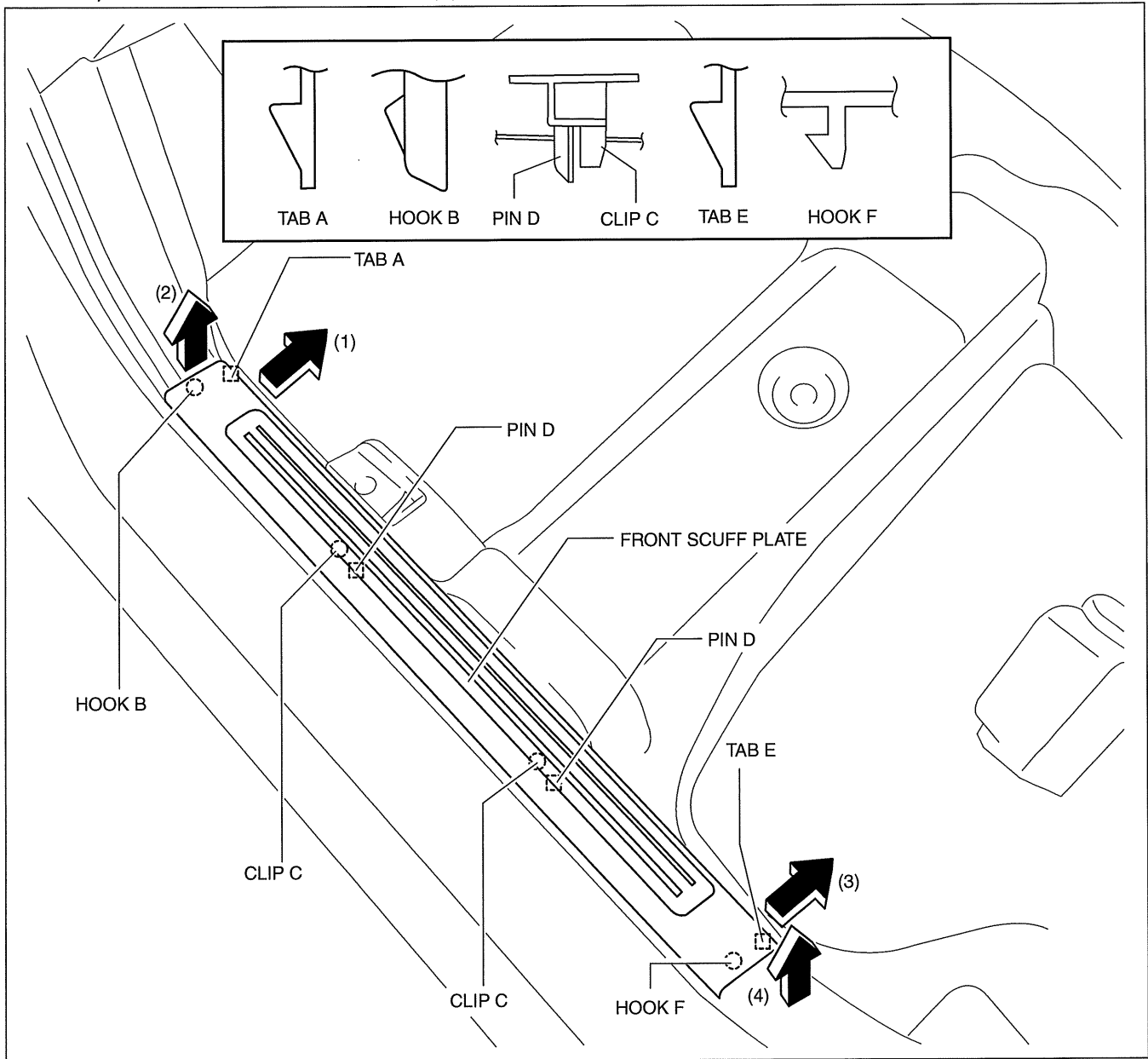
6. Remove the C-pillar trim.
7. Install in the reverse order of removal.

INTERIOR TRIM

FRONT SCUFF PLATE REMOVAL/INSTALLATION

id091700801400

1. Detach tab A while pulling the front scuff plate in the direction of the arrow (1) shown in the figure, then detach hook B, clips C, and pins D while pulling in the direction of the arrow (2).
2. Detach tab E while pulling the front scuff plate in the direction of the arrow (3) shown in the figure, pull the front scuff plate in the direction of the arrow (4), and remove it while detaching hook F.



09-17

am3uuw0000478

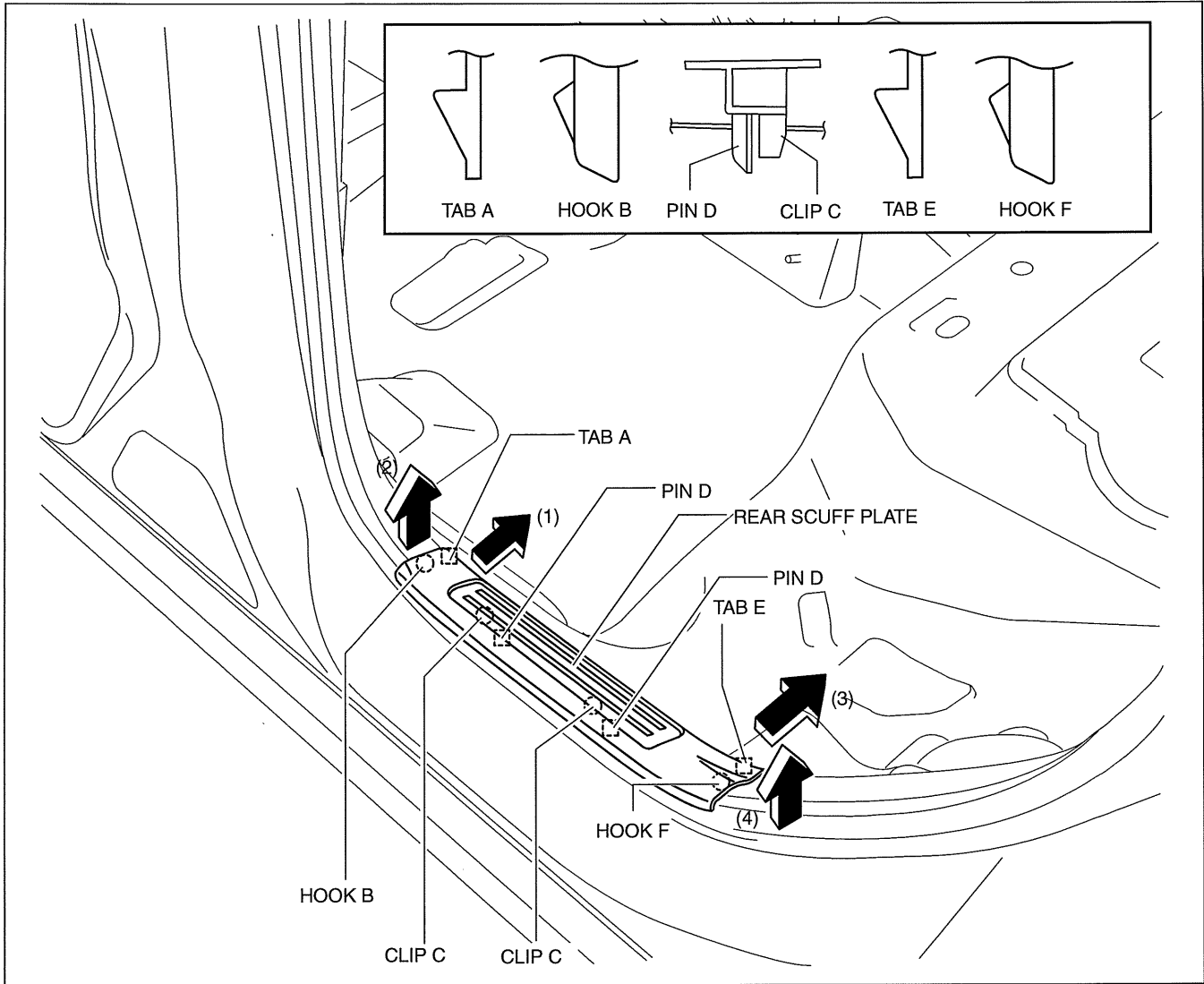
3. Remove the front scuff plate.
4. Install in the reverse order of removal.

INTERIOR TRIM

id091700801500

REAR SCUFF PLATE REMOVAL/INSTALLATION

1. Detach tab A while pulling the rear scuff plate in the direction of the arrow (1) shown in the figure, then detach hook B, clips C, pins D while pulling in the direction of the arrow (2).
2. Detach tab E while pulling the rear scuff plate in the direction of the arrow (3) shown in the figure, pull the rear scuff plate in the direction of the arrow (4) shown in the figure.



am3uuw0000478

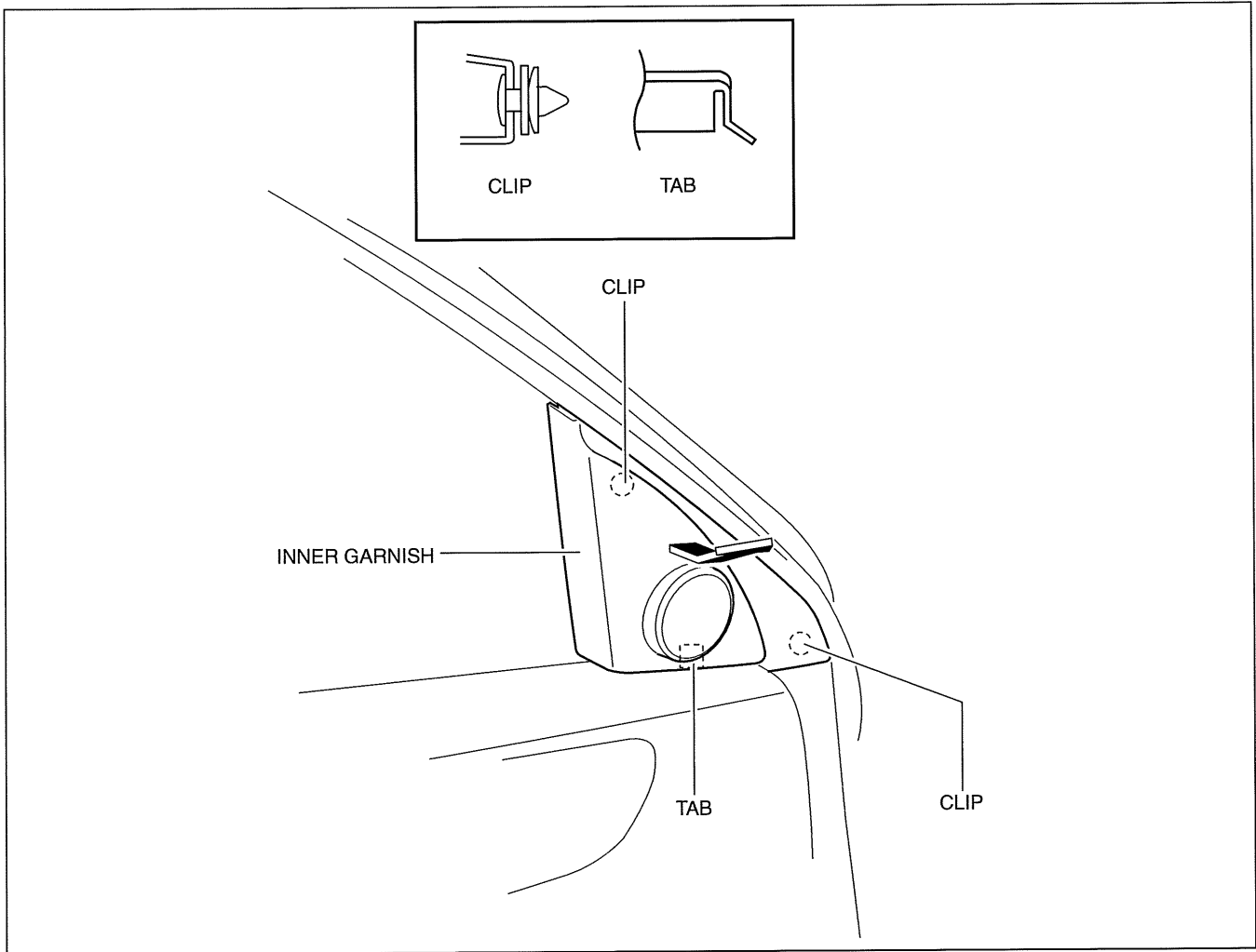
3. Remove the rear scuff plate.
4. Install in the reverse order of removal.

INTERIOR TRIM

INNER GARNISH REMOVAL/INSTALLATION

id091700801000

1. Disconnect the negative battery cable.
2. Pull the inner garnish in the direction of the arrow shown in the figure and remove it while detaching clips and tab.



am6zzw0000173

Caution

- When pulling out the inner garnish, be careful not to damage the tab.

3. Disconnect the front tweeter connector. (Vehicles with tweeter)
4. Install in the reverse order of removal.

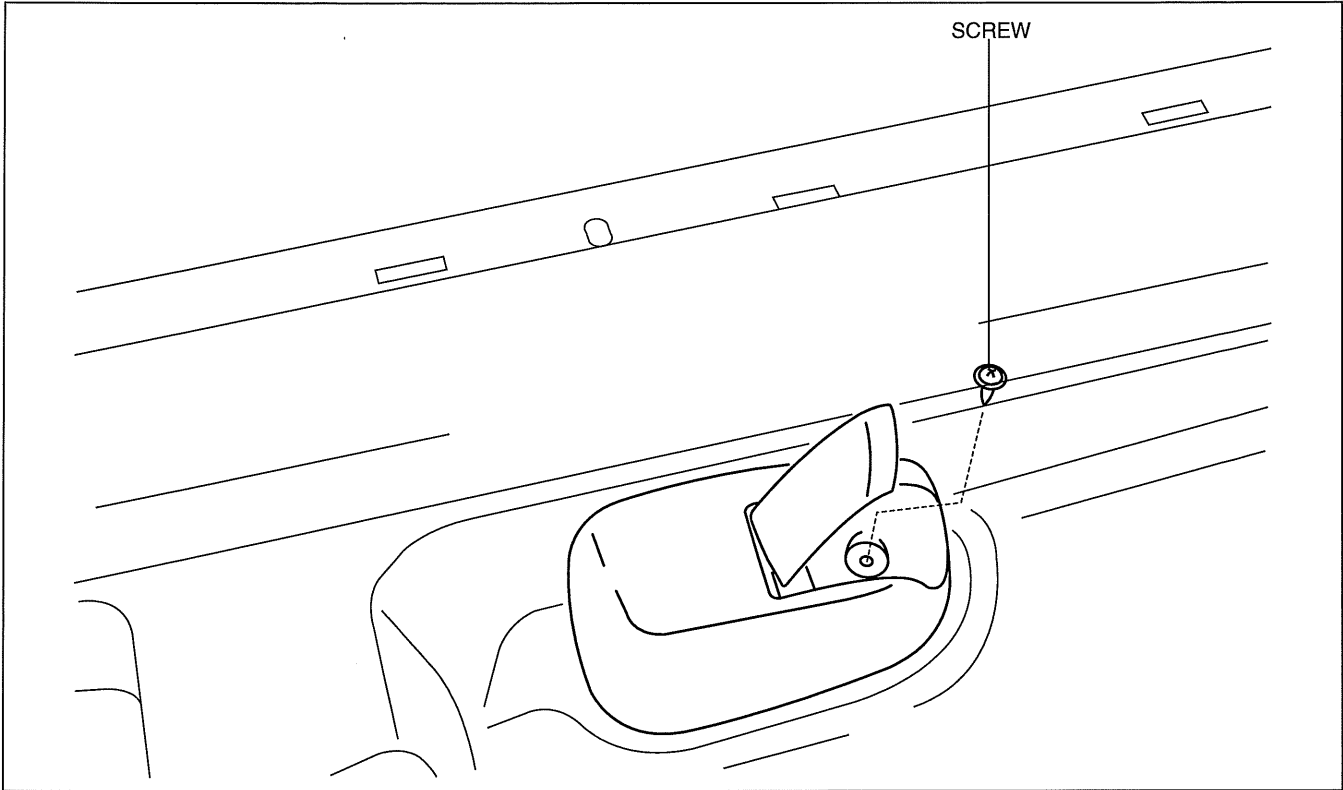
09-17

INTERIOR TRIM

FUEL-FILLER LID OPENER BEZEL REMOVAL/INSTALLATION

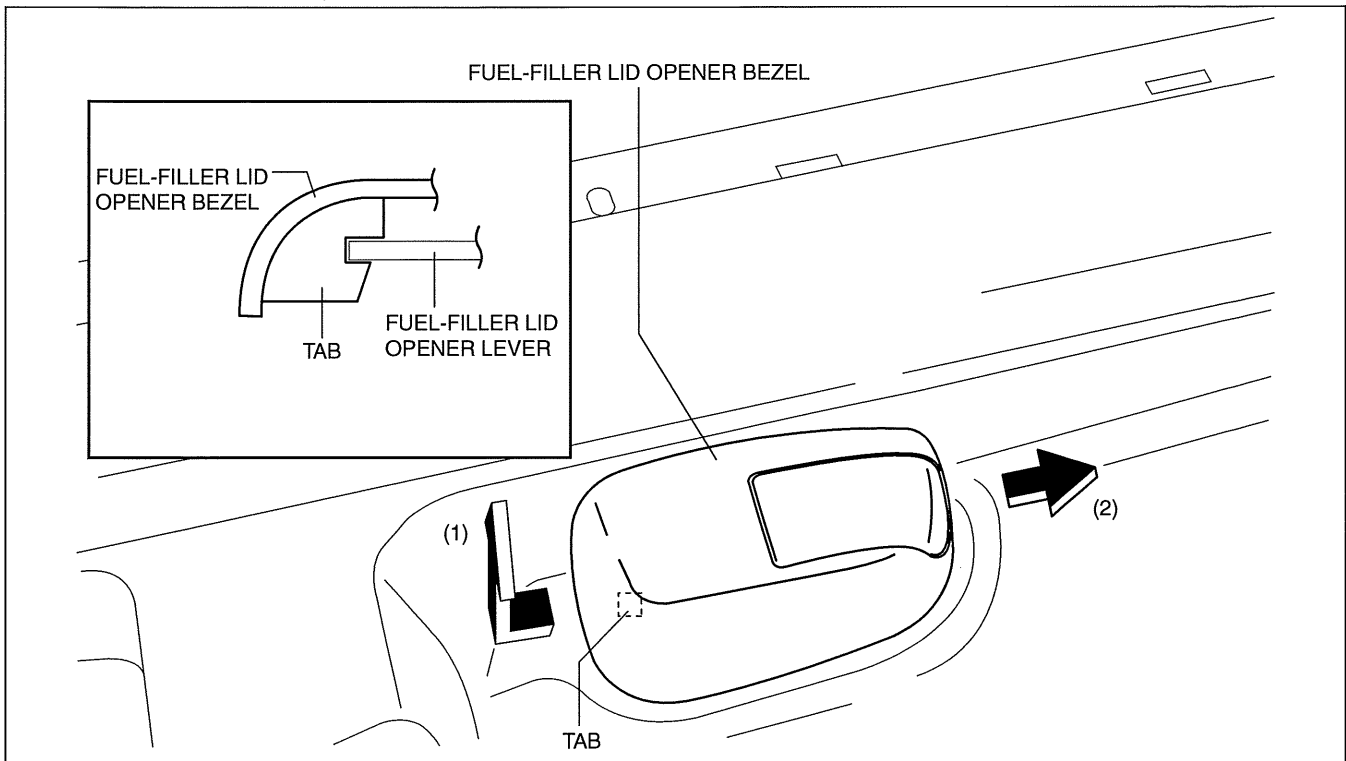
id091700899000

1. Remove the screw.



am6zzw0000173

2. Pull the fuel-filler lid opener bezel in the direction of the arrow (1) then remove the tab.
3. Move the fuel-filler lid opener bezel in the direction of the arrow (2) shown in the figure.



am3uuw0000527

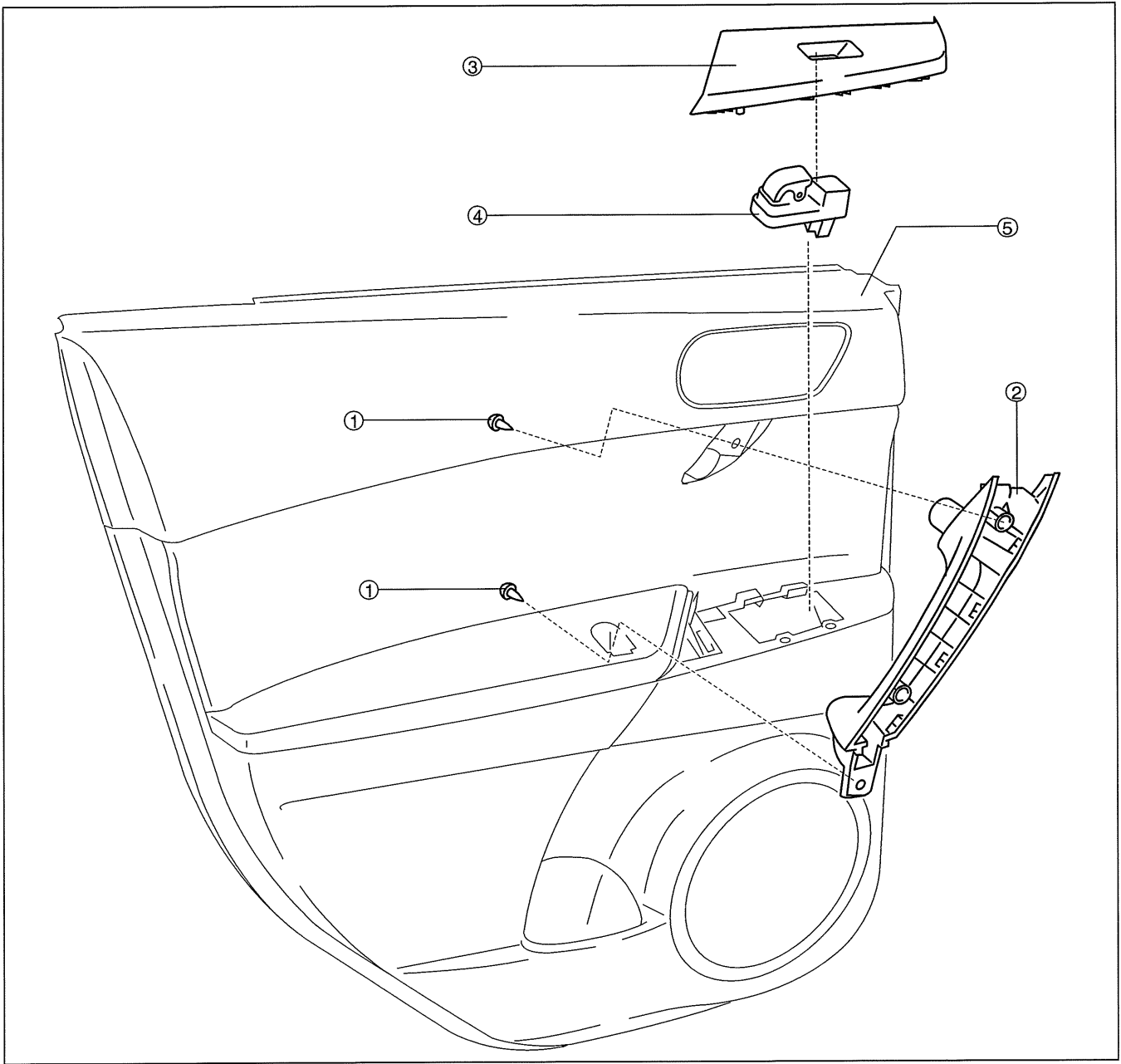
4. Remove the fuel-filler lid opener bezel.
5. Install in the reverse order of removal.

INTERIOR TRIM

REAR DOOR TRIM DISASSEMBLY/ASSEMBLY

id091700804300

1. Disassemble in the order shown in the figure.



09-17

am3uuw0000512

1	Screw
2	Assist handle
3	Switch panel cover
4	Power window subswitch
5	Rear door trim

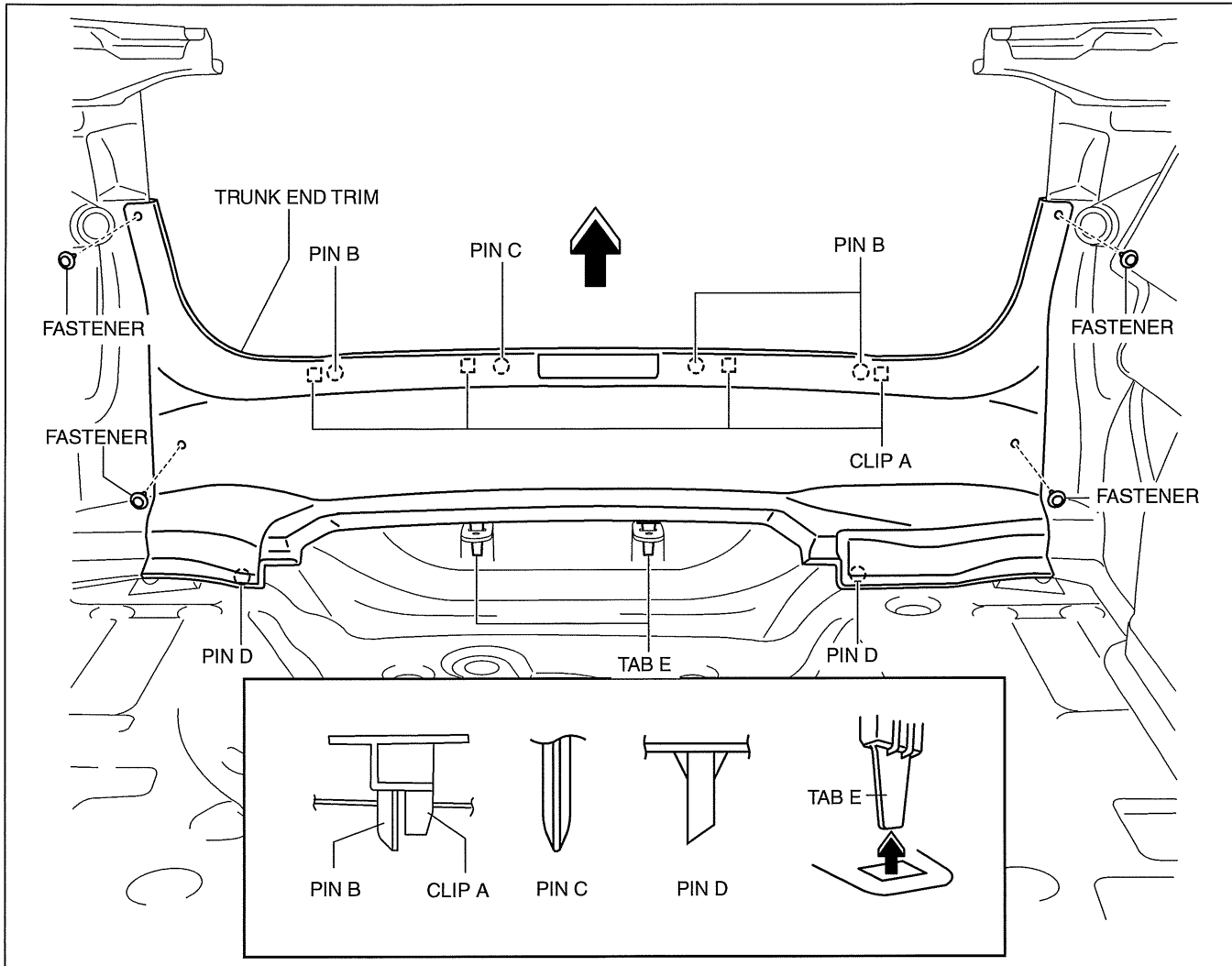
INTERIOR TRIM

TRUNK END TRIM REMOVAL/INSTALLATION

id091700803400

4SD

1. Remove the trunk mat. (See 09-17-95 TRUNK BOARD REMOVAL/INSTALLATION)
2. Remove the trunk board. (See 09-17-95 TRUNK BOARD REMOVAL/INSTALLATION)
3. Remove the fasteners.
4. Pull the trunk end trim indicated in the arrow shown in the figure, then detach clips A, pins B, pin C, D and tabs E.



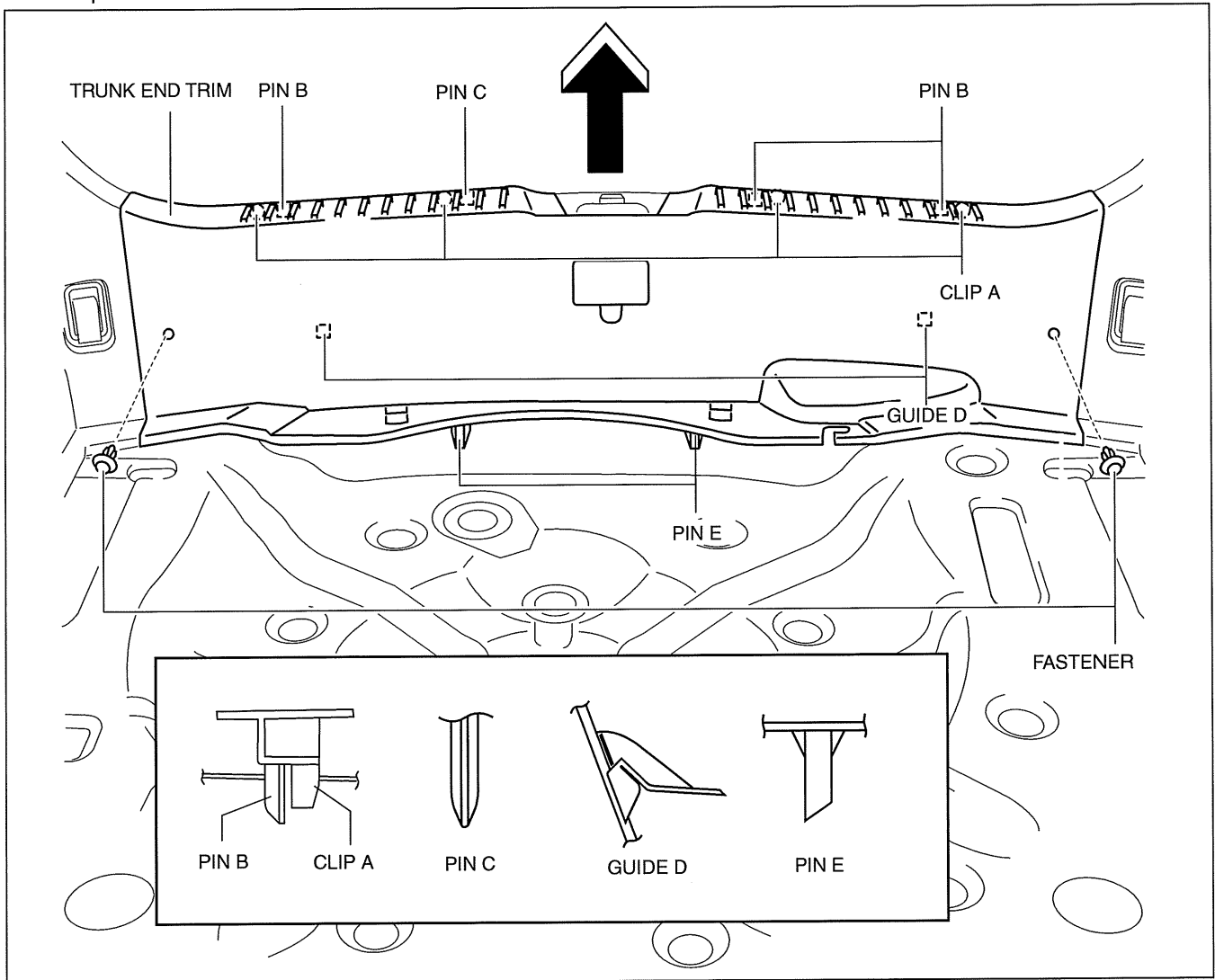
am3uuw0000478

5. Remove the trunk end trim.
6. Install in the reverse order of removal.

INTERIOR TRIM

5HB

1. Remove the trunk mat. (See 09-17-95 TRUNK BOARD REMOVAL/INSTALLATION)
2. Remove the trunk board. (See 09-17-95 TRUNK BOARD REMOVAL/INSTALLATION)
3. Remove the fasteners.
4. Pull the trunk end trim indicated in the arrow shown in the figure, then detach clips A, pins B, pin C, guides D and pins E.



09-17

am3uuw0000479

5. Remove the trunk end trim.
6. Install in the reverse order of removal.

INTERIOR TRIM

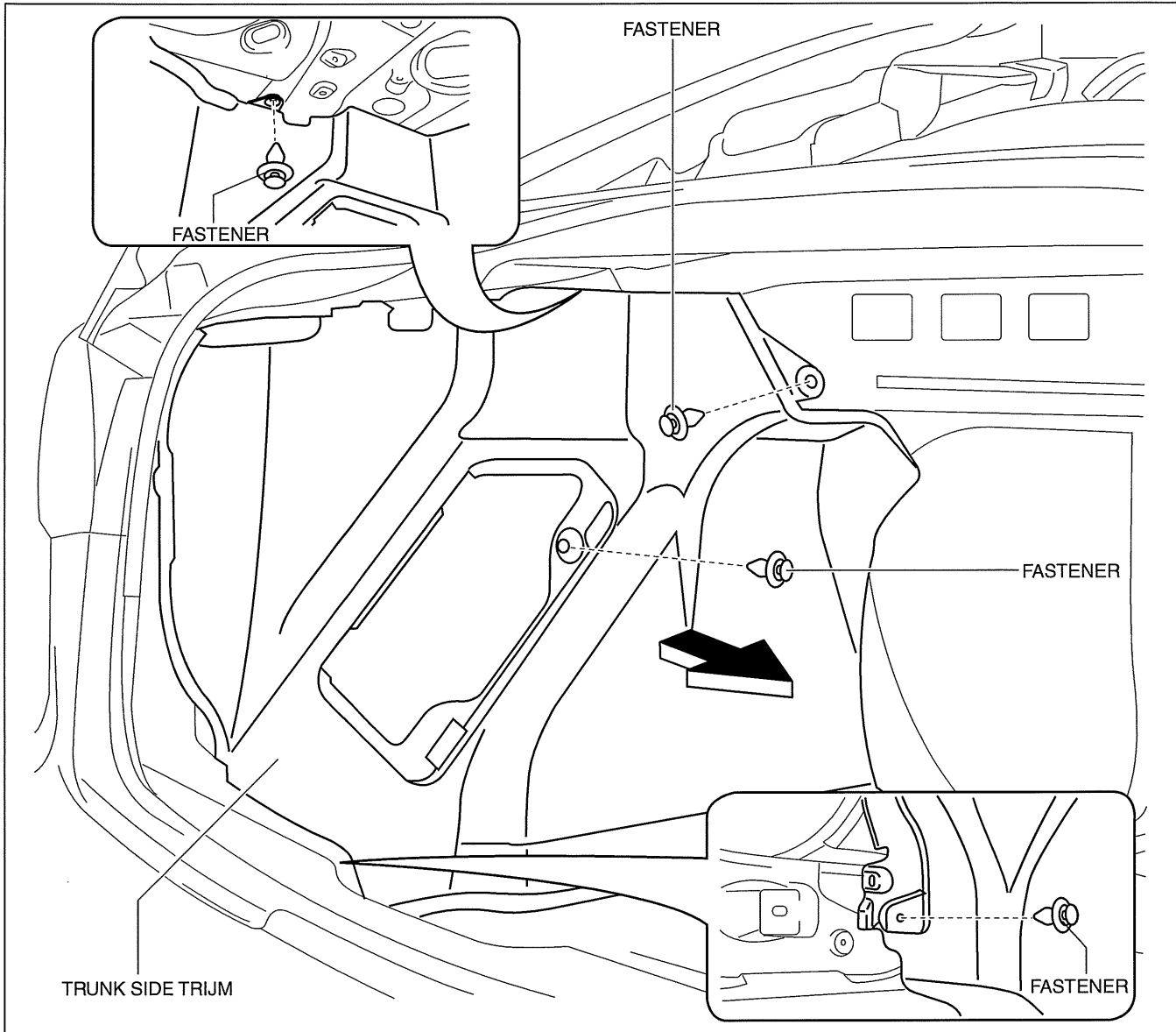
TRUNK SIDE TRIM REMOVAL/INSTALLATION

id091700803100

4SD

Left-side

1. Remove the following parts:
 - (1) Rear scuff plate (See 09-17-68 REAR SCUFF PLATE REMOVAL/INSTALLATION.)
 - (2) Tire house trim (See 09-17-54 TIRE HOUSE TRIM REMOVAL/INSTALLATION.)
 - (3) Trunk mat (See 09-17-95 TRUNK BOARD REMOVAL/INSTALLATION.)
 - (4) Trunk board (See 09-17-95 TRUNK BOARD REMOVAL/INSTALLATION.)
 - (5) Trunk end trim (See 09-17-72 TRUNK END TRIM REMOVAL/INSTALLATION.)
 - (6) Service hole cover
2. Remove the fasteners.



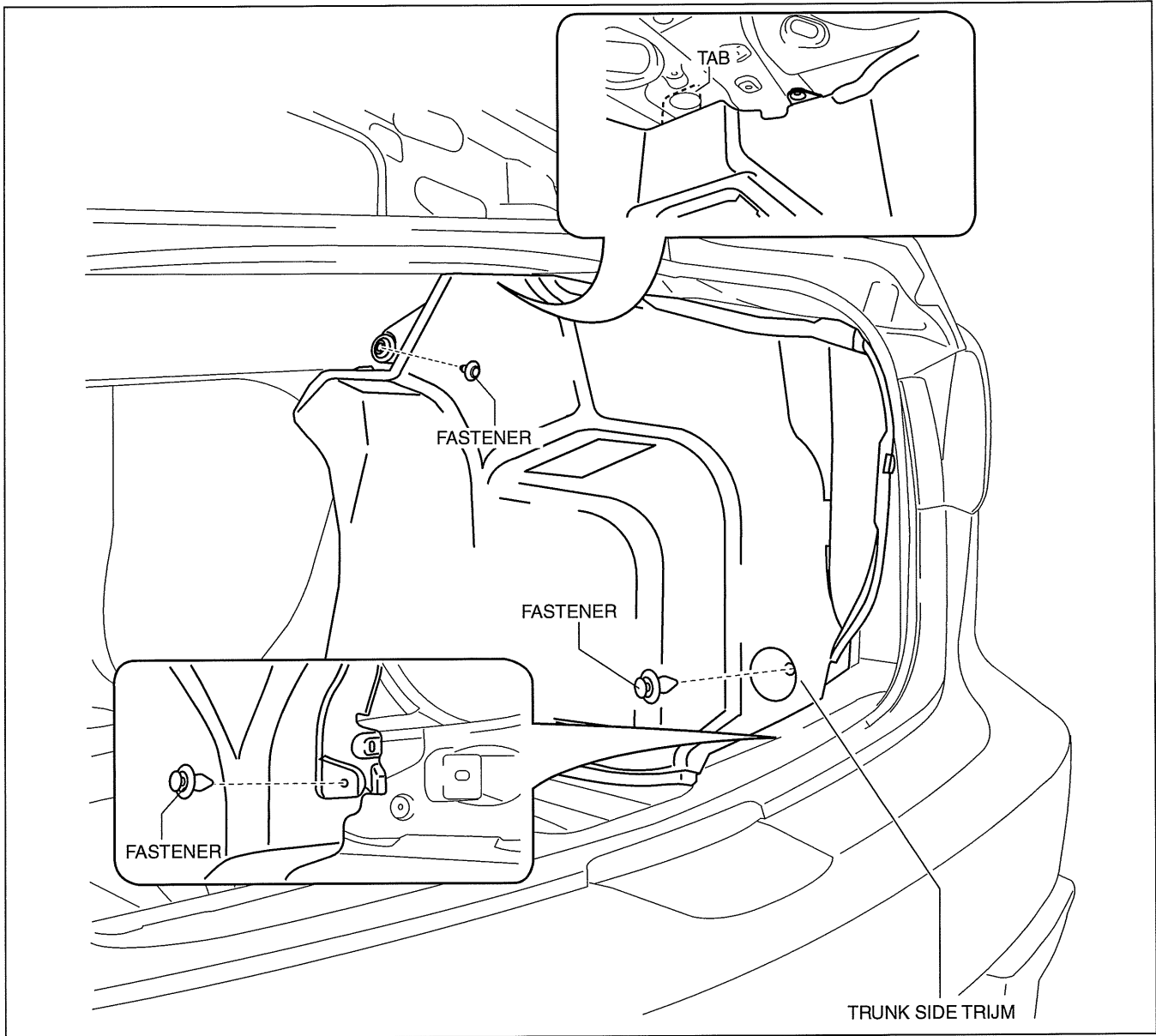
am3uuw0000527

3. Install in the reverse order of removal.

INTERIOR TRIM

Right-side

1. Remove the following parts:
 - (1) Rear scuff plate (See 09-17-68 REAR SCUFF PLATE REMOVAL/INSTALLATION.)
 - (2) Tire house trim (See 09-17-54 TIRE HOUSE TRIM REMOVAL/INSTALLATION.)
 - (3) Trunk mat (See 09-17-95 TRUNK BOARD REMOVAL/INSTALLATION.)
 - (4) Trunk board (See 09-17-95 TRUNK BOARD REMOVAL/INSTALLATION.)
 - (5) Trunk end trim (See 09-17-72 TRUNK END TRIM REMOVAL/INSTALLATION.)
2. Remove the fasteners and tab.



09-17

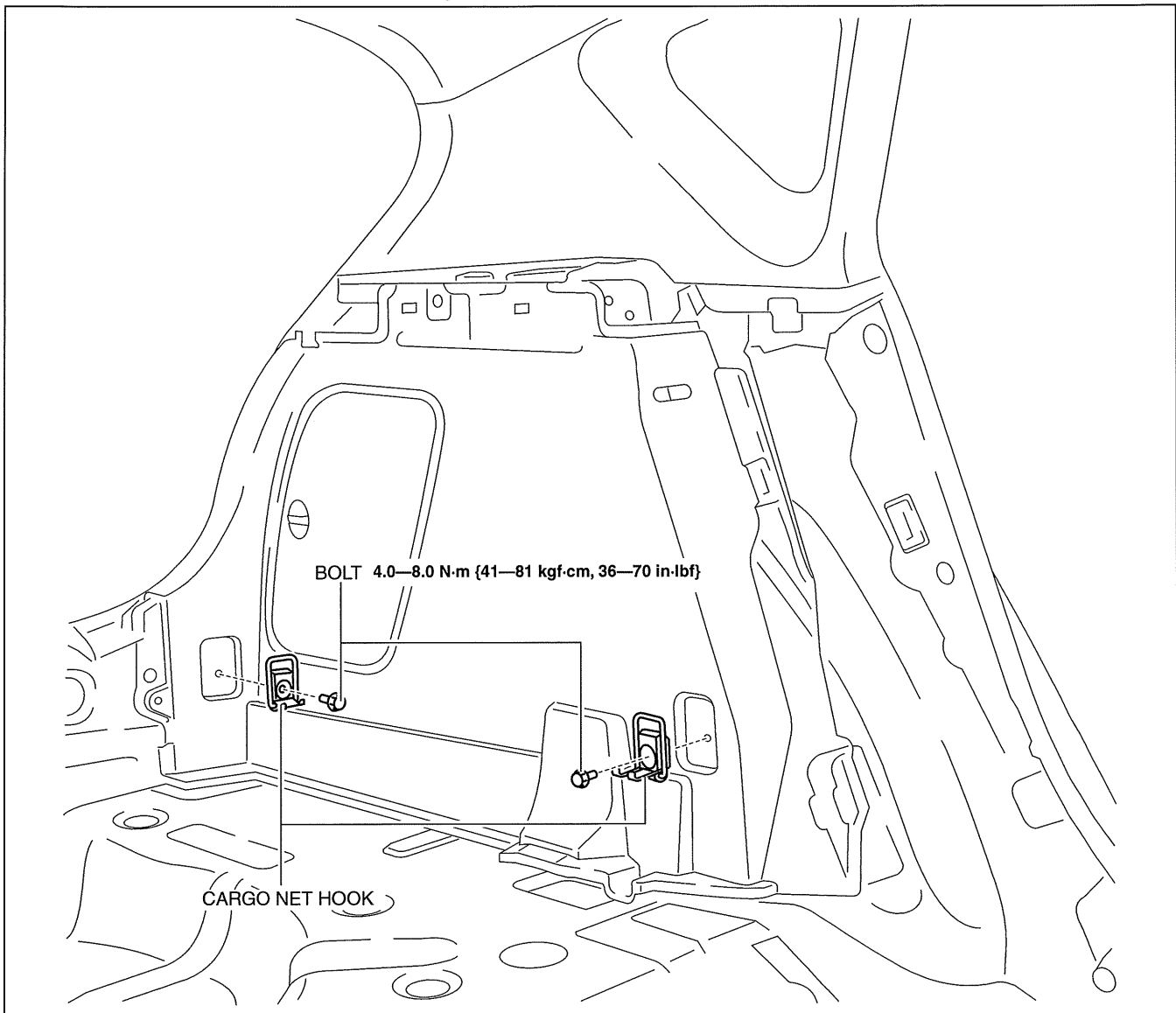
am3uuw0000527

3. Install in the reverse order of removal.

INTERIOR TRIM

5HB

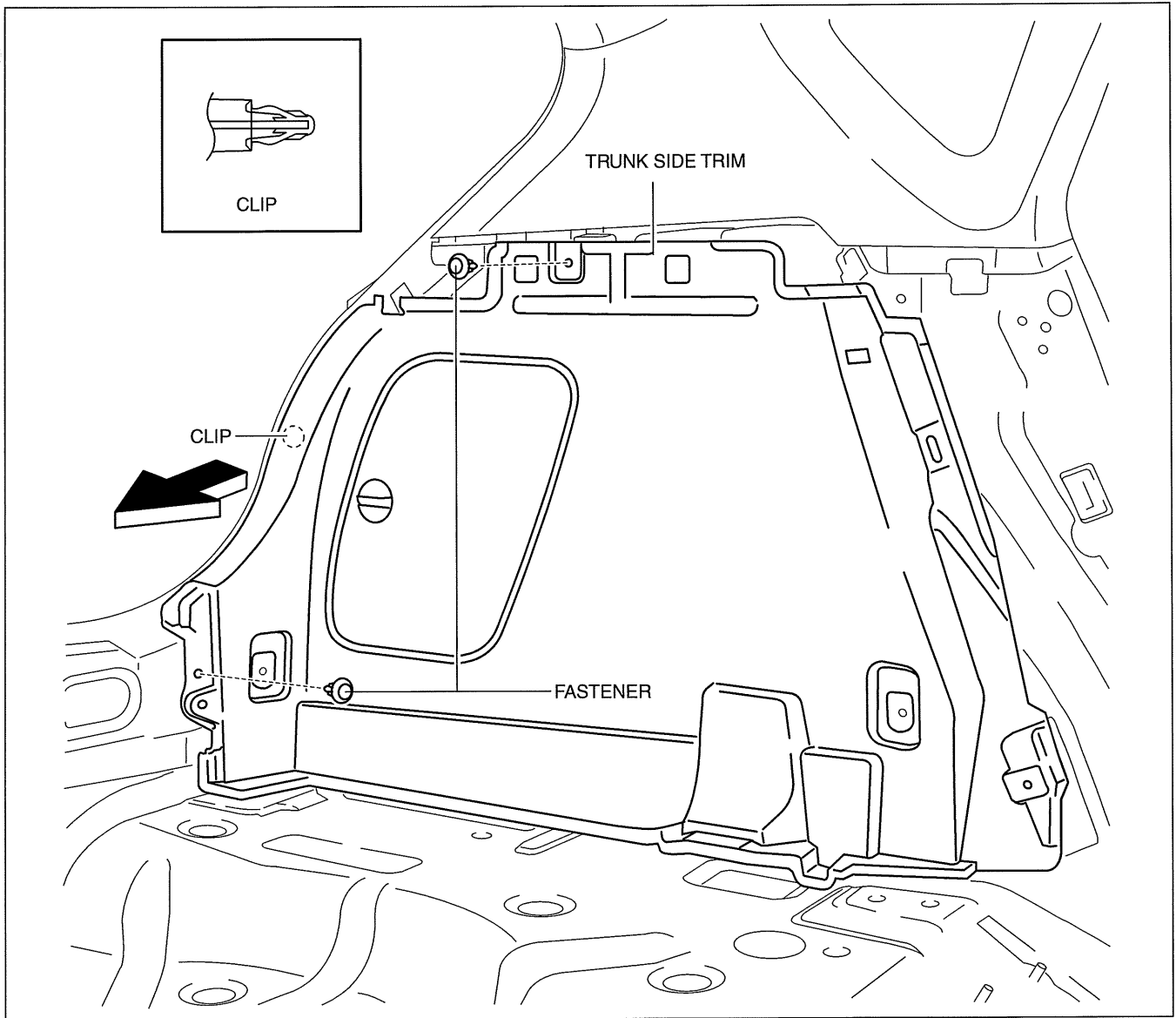
1. Disconnect the negative battery cable. (Right-side only)
2. Remove the following parts:
 - (1) Rear seat (See 09-13-31 REAR SEAT BACK REMOVAL/INSTALLATION.)
 - (2) Rear scuff plate (See 09-17-68 REAR SCUFF PLATE REMOVAL/INSTALLATION.)
 - (3) Tire house trim (See 09-17-54 TIRE HOUSE TRIM REMOVAL/INSTALLATION.)
 - (4) Trunk end trim (See 09-17-72 TRUNK END TRIM REMOVAL/INSTALLATION.)
 - (5) Trunk side upper trim (See 09-17-78 TRUNK SIDE UPPER TRIM REMOVAL/INSTALLATION.)
3. Remove the bolts, then remove the cargo net hooks.



am3uuw0000529

INTERIOR TRIM

4. Remove the fasteners.
5. Pull the trunk side trim in the direction of arrow, while remove the clip.



am3uuw000480

6. Remove the trunk side trim.
7. Disconnect the cargo compartment light connector. (Right-side only)
8. Install in the reverse order of removal.

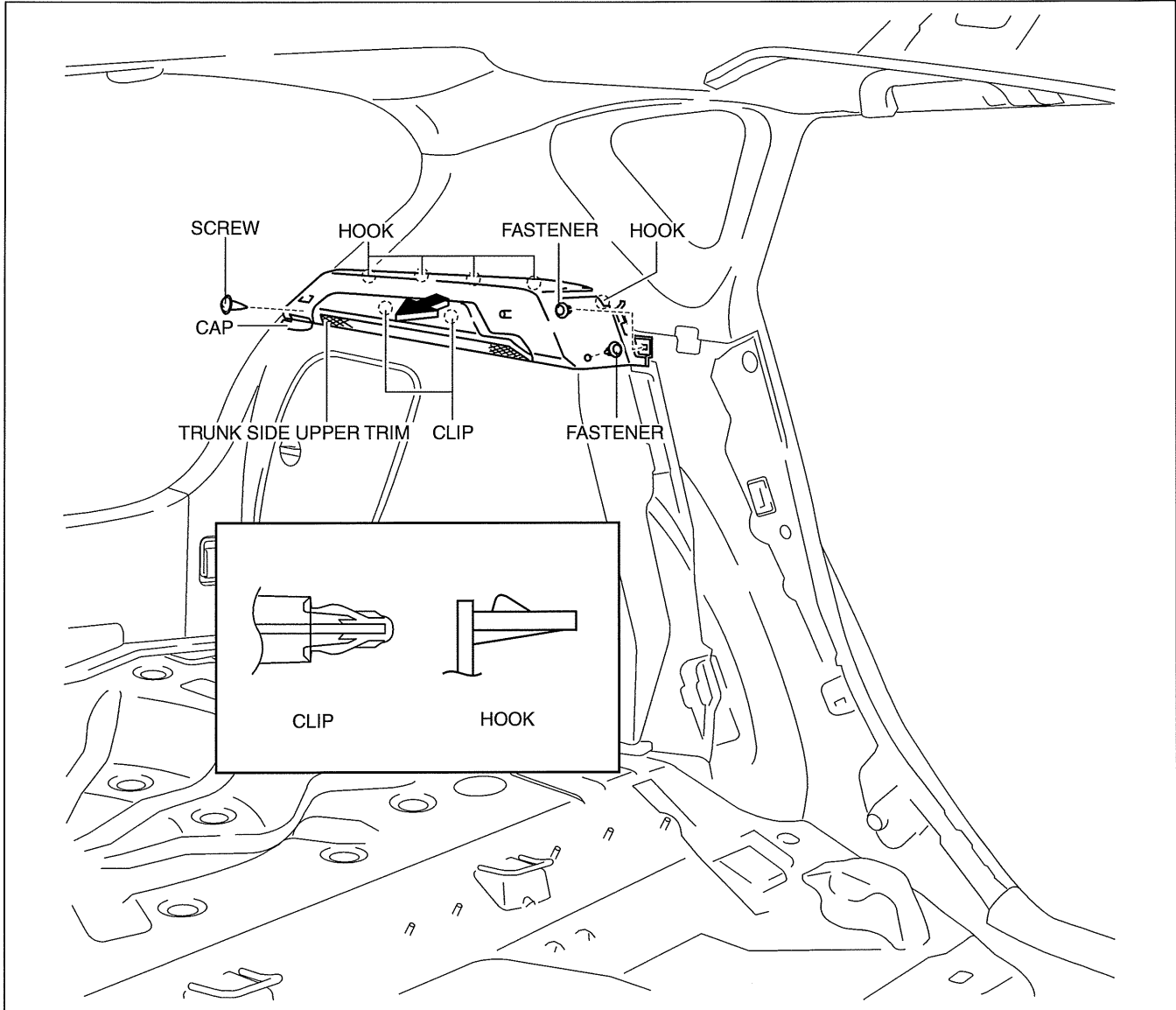
09-17

INTERIOR TRIM

TRUNK SIDE UPPER TRIM REMOVAL/INSTALLATION

id091700803200

1. Remove the rear seat cushion. (See 09-13-37 REAR SEAT CUSHION REMOVAL/INSTALLATION)
2. Remove the rear scuff plate. (See 09-17-68 REAR SCUFF PLATE REMOVAL/INSTALLATION)
3. Remove the tire house trim. (See 09-17-54 TIRE HOUSE TRIM REMOVAL/INSTALLATION)
4. Open the cap.
5. Remove the screw.
6. Remove the fasteners.
7. Pull the trunk side upper trim in the direction of arrow, then detach the hooks and clips.



am3uuw0000480

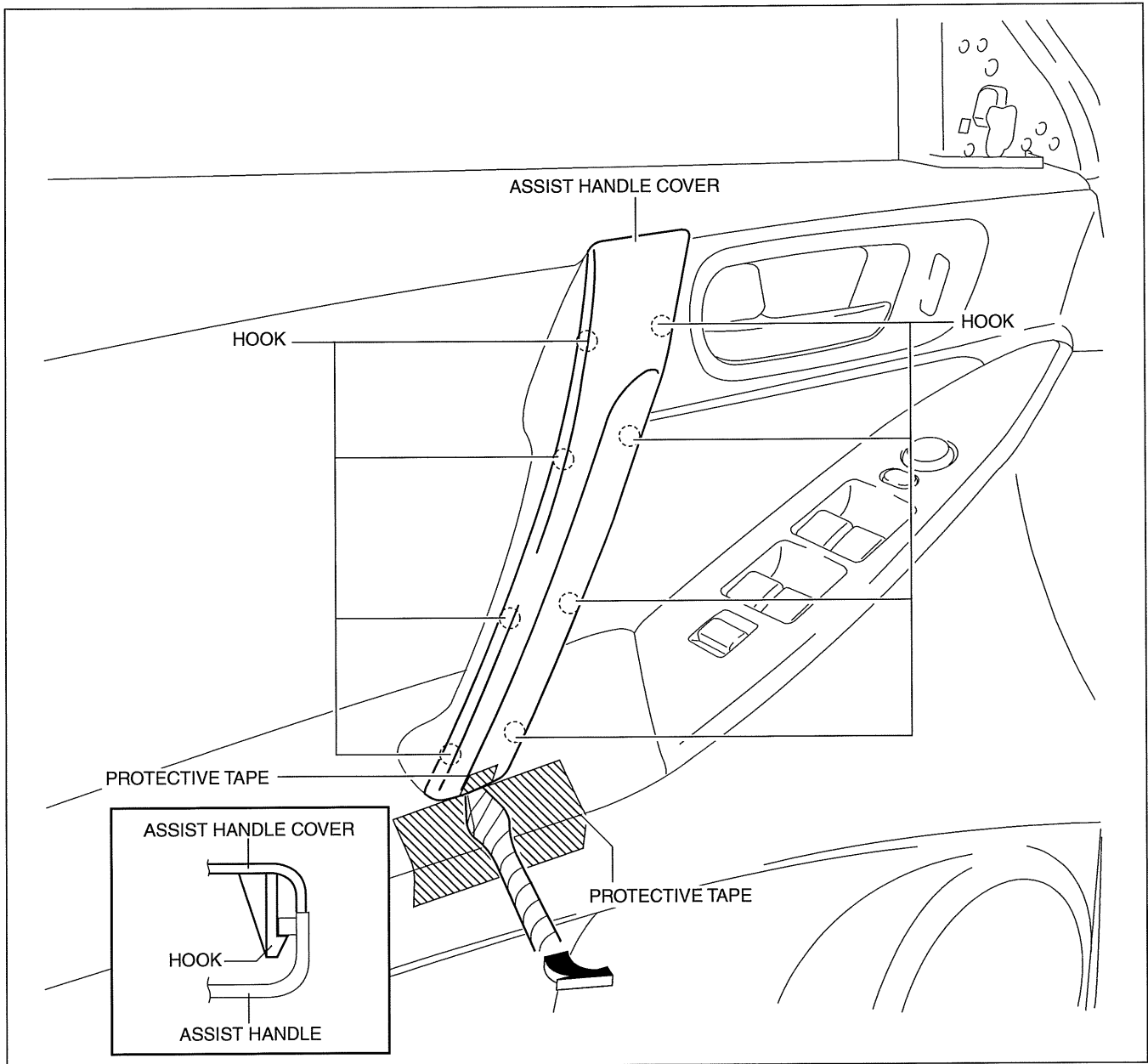
8. Install in the reverse order of removal.

INTERIOR TRIM

FRONT DOOR TRIM REMOVAL/INSTALLATION

id091700802500

1. Disconnect the negative battery cable.
2. Remove the inner garnish. (See 09-17-69 INNER GARNISH REMOVAL/INSTALLATION)
3. Move the hook in the direction of arrow shown in the figure using a tape-lapped flathead screwdriver and detach it from the front door trim.



09-17

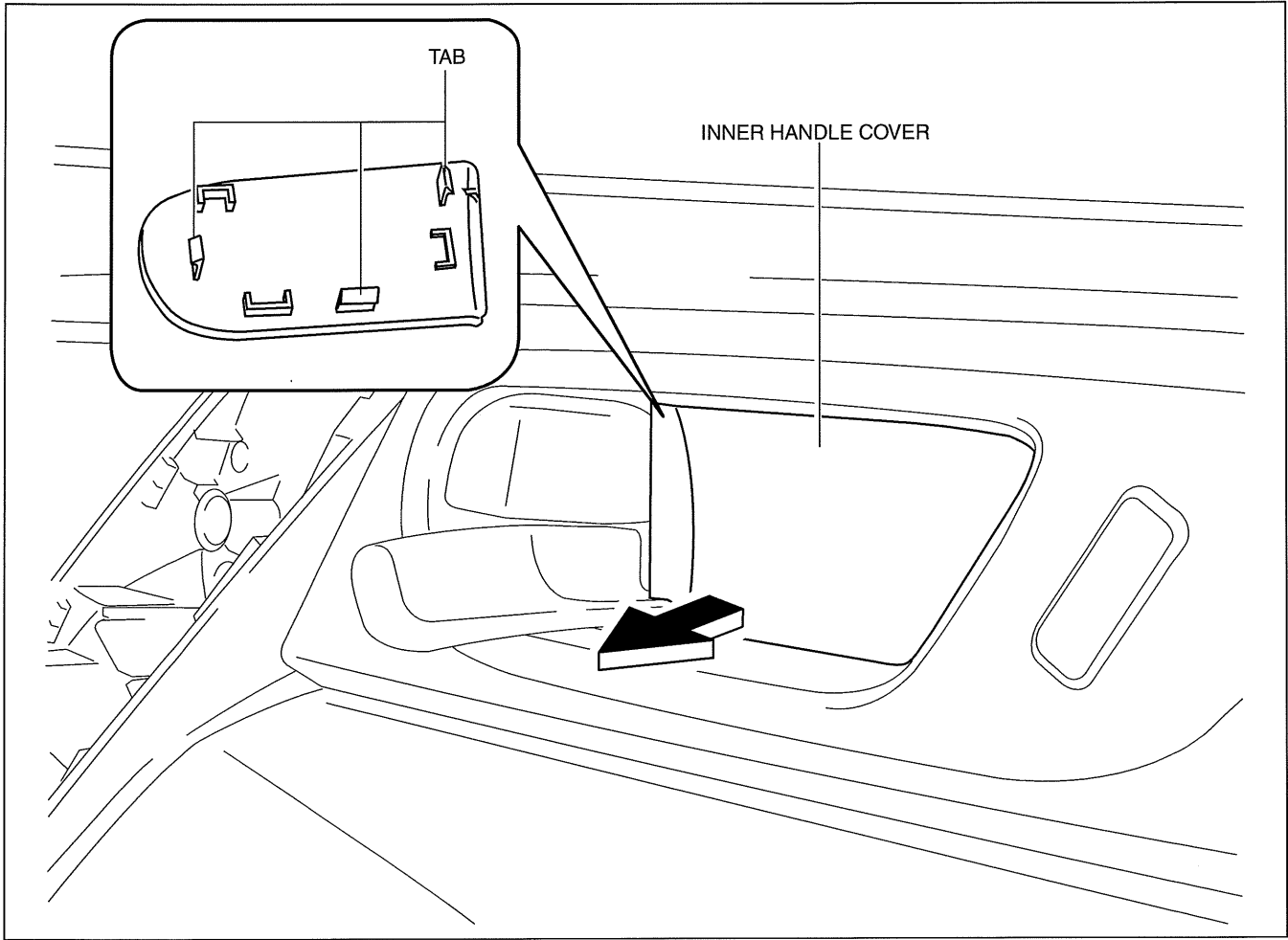
am3uuw0000481

Caution

- Affix protective tape to the front door trim and assist handle cover to prevent damage.

INTERIOR TRIM

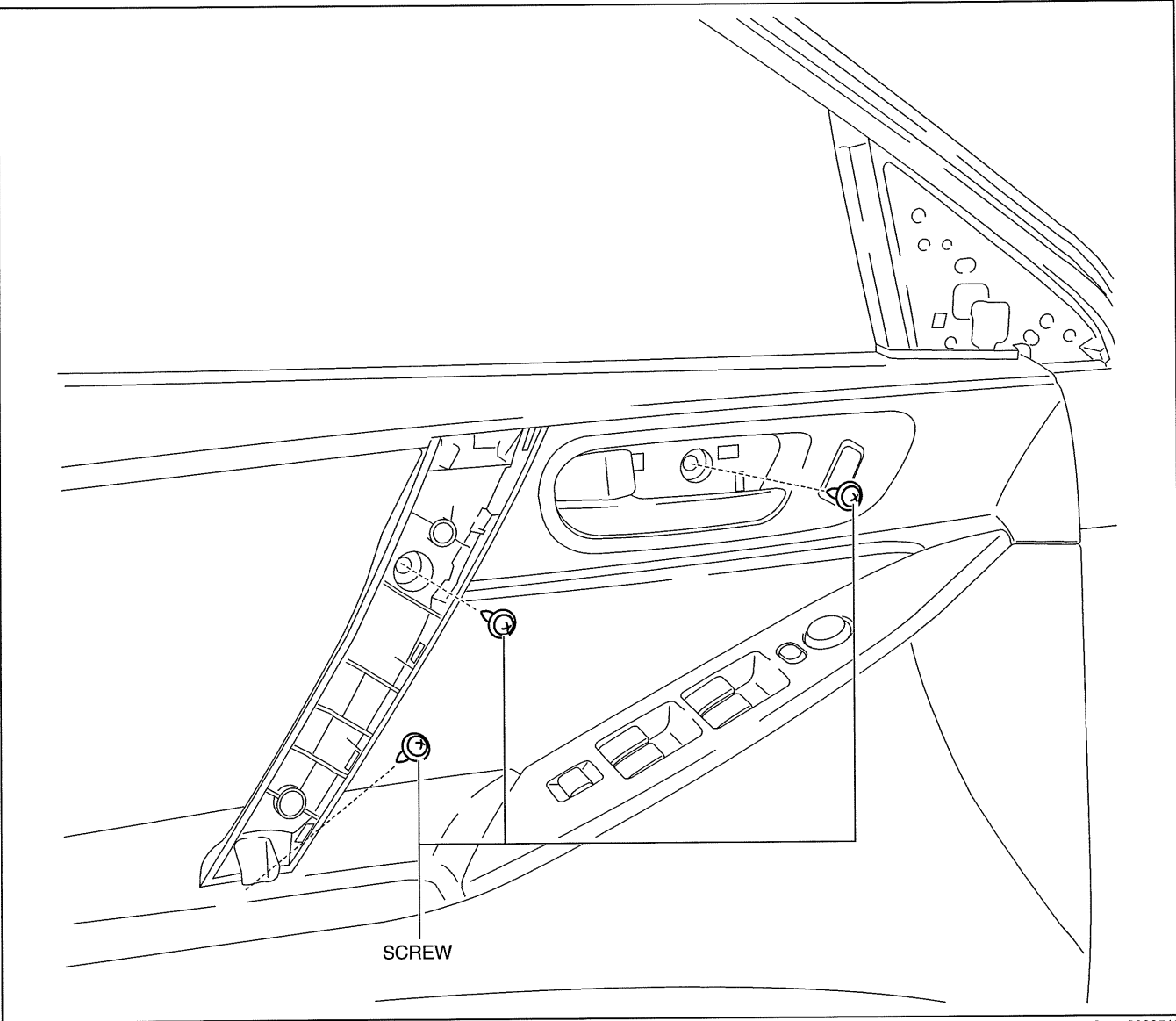
4. Pull the inner handle cover in the direction of arrow and remove it while detaching tabs.



am3uuw0000481

INTERIOR TRIM

5. Remove the screws.

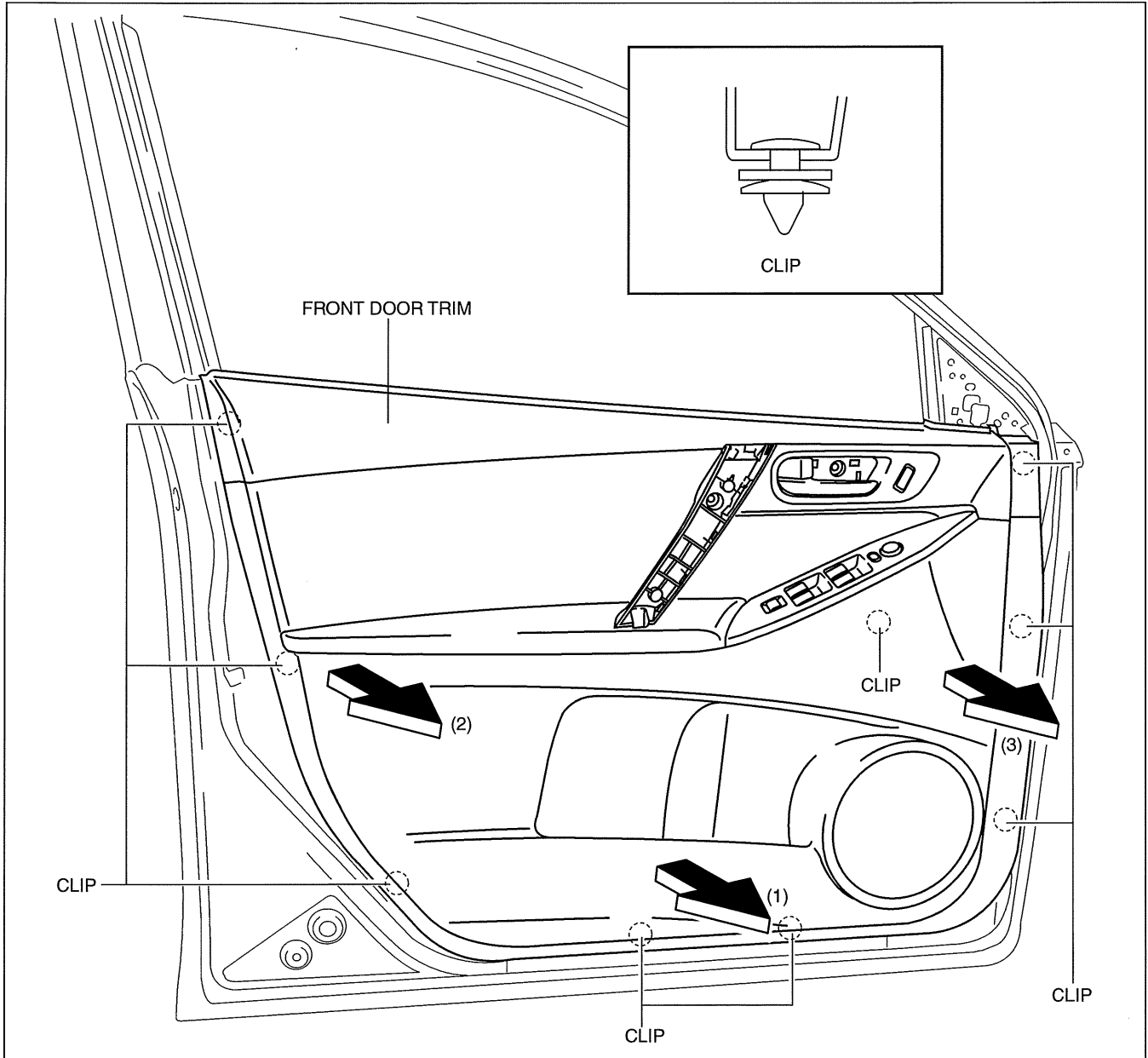


09-17

am3uuw0000512

INTERIOR TRIM

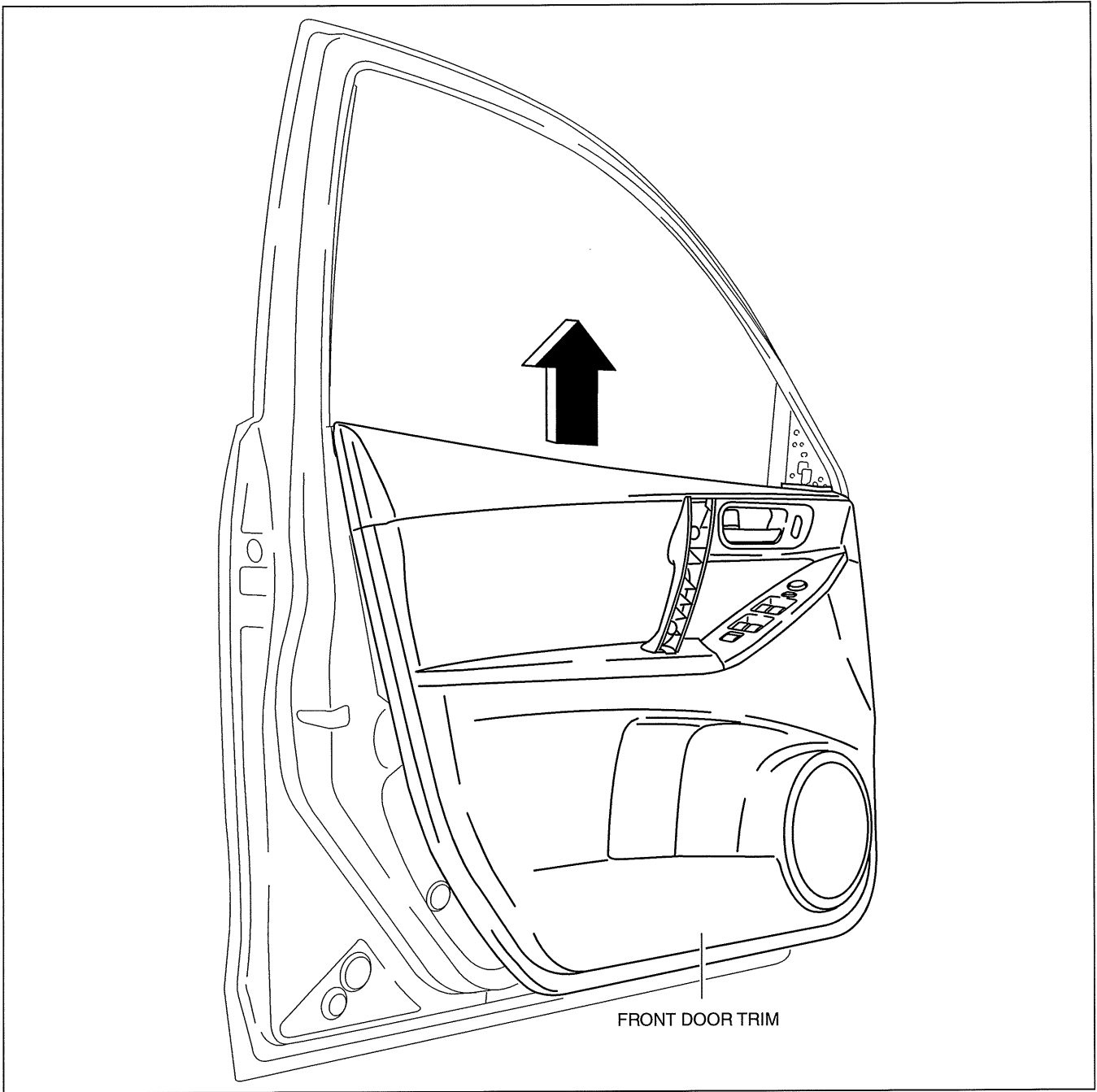
6. Pull in the direction of the arrow (1), (2), (3) shown in the figure and remove clips from the door inner panel using a fastener remover.



am3uuw0000517

INTERIOR TRIM

7. Remove the front door trim in the direction of the arrow shown in the figure.

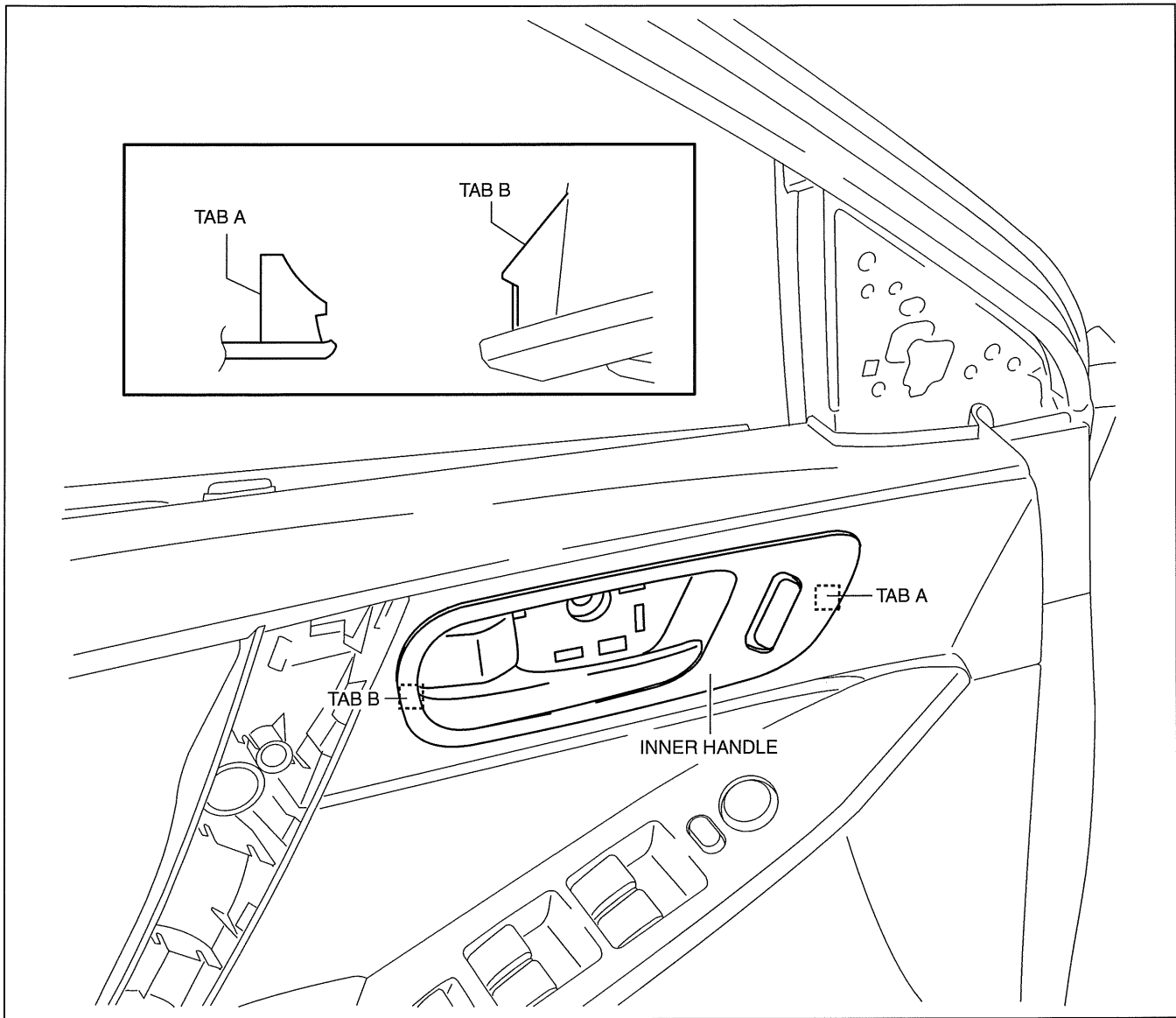


09-17

am3uuw0000527

INTERIOR TRIM

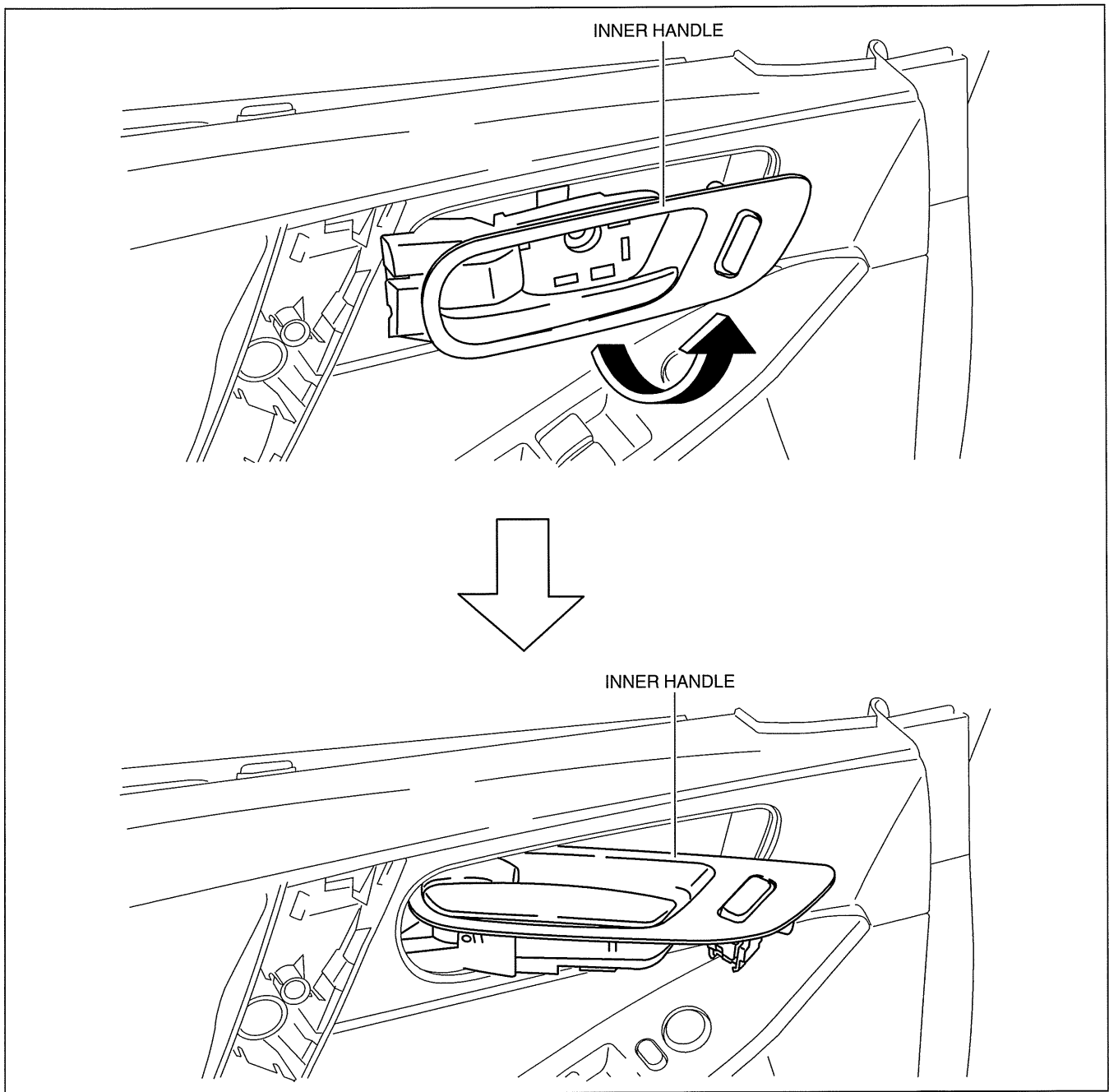
8. Remove the inner handle and move the front door trim shown in the figure.



am3uuw0000527

INTERIOR TRIM

9. Turn the inner handle 90° in the direction of the arrow and remove it from the front door trim.



09-17

am3uuw0000481

10. Disconnect the driver-side power outer mirror switch connector and driver-side power window main switch connector.
11. Install in the reverse order of removal.

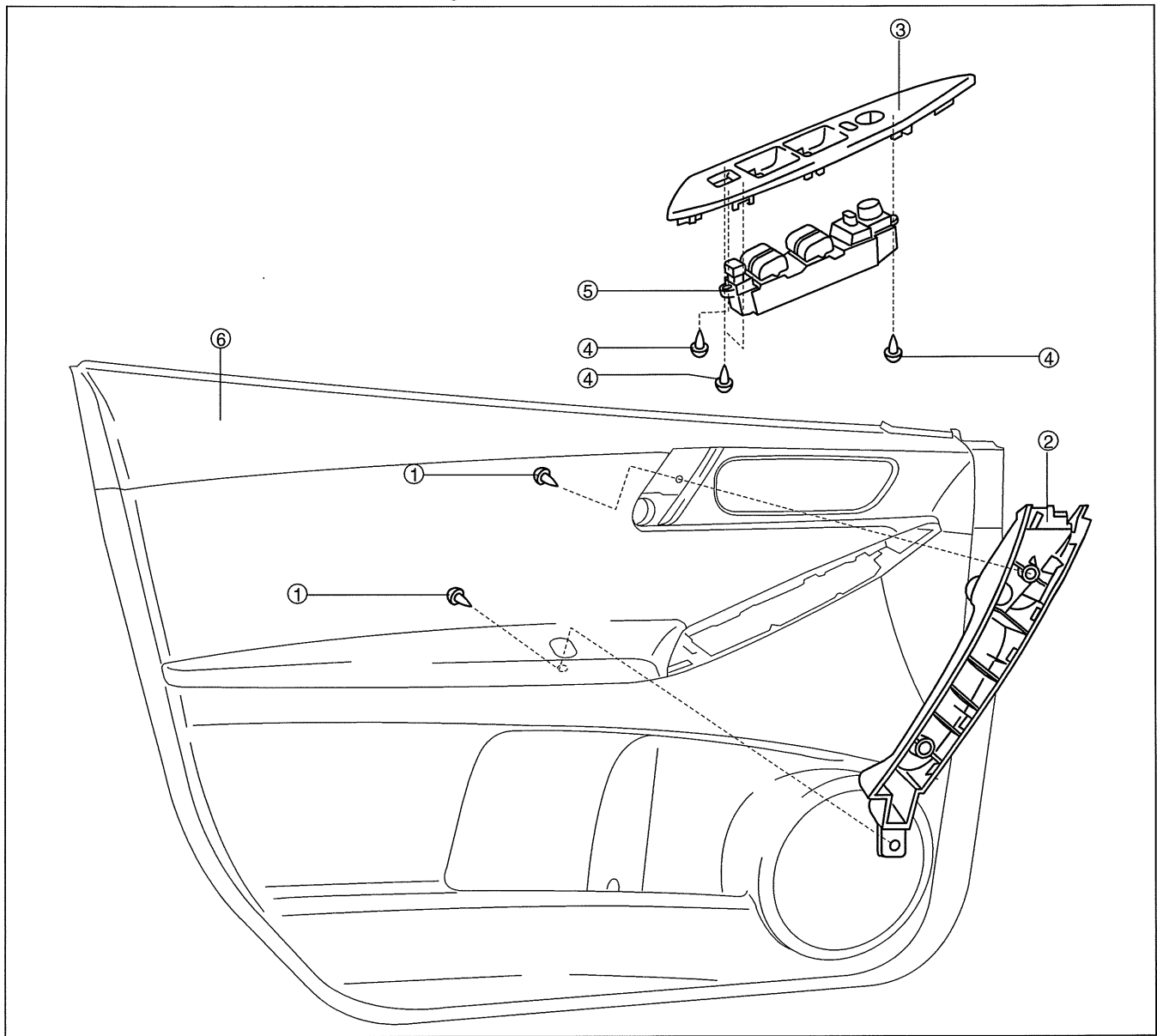
INTERIOR TRIM

FRONT DOOR TRIM DISASSEMBLY/ASSEMBLY

id091700804200

Driver-side

1. Disassemble in the order shown in the figure.



am3uuw0000512

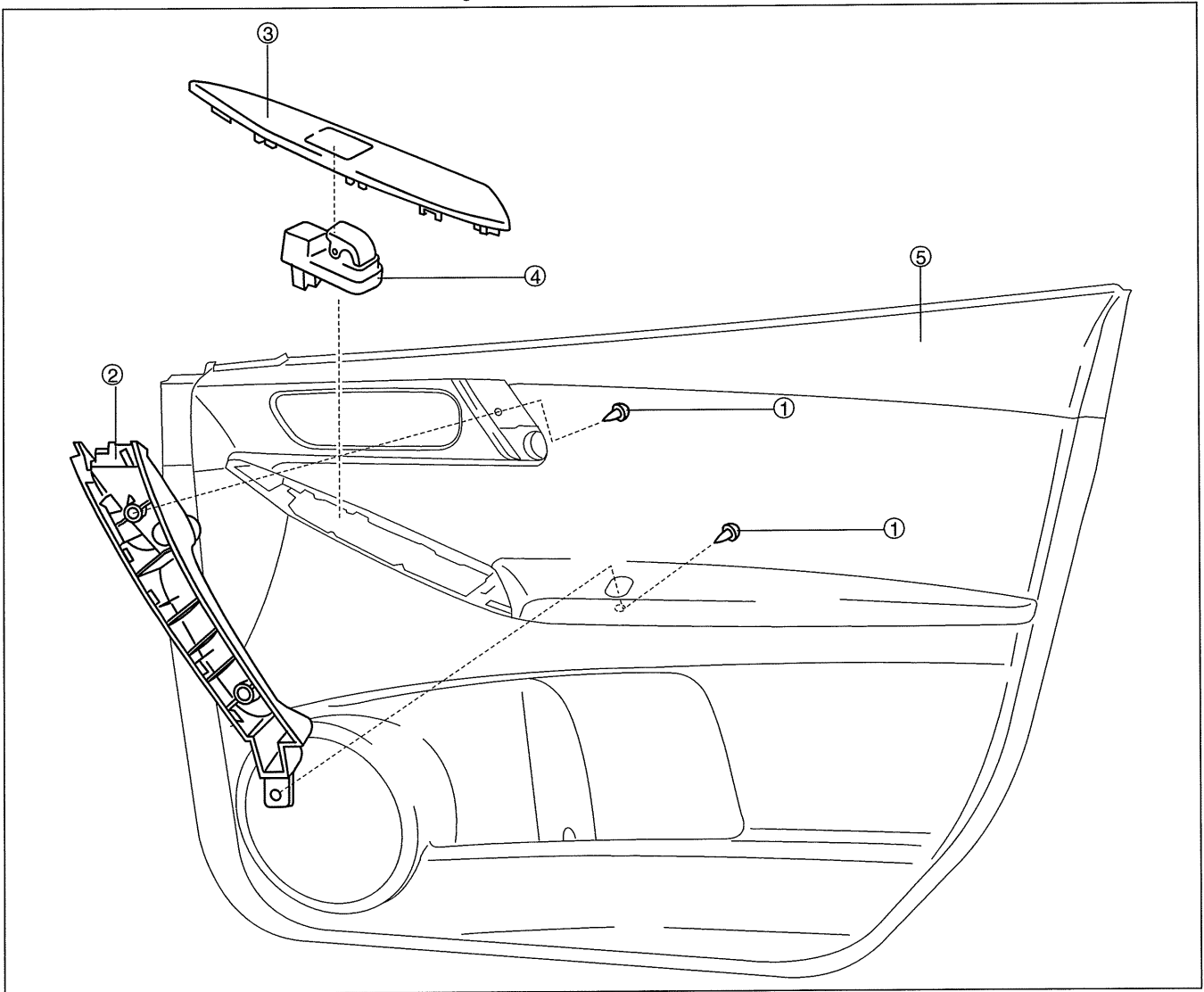
1	Screw A
2	Assist handle
3	Switch panel cover

4	Screw B
5	Power window main switch
6	Front door trim

INTERIOR TRIM

Passenger-side

1. Disassemble in the order shown in the figure.



am3uuw0000512

1	Screw
2	Assist handle
3	Switch panel cover

4	Power window subswitch
5	Front door trim

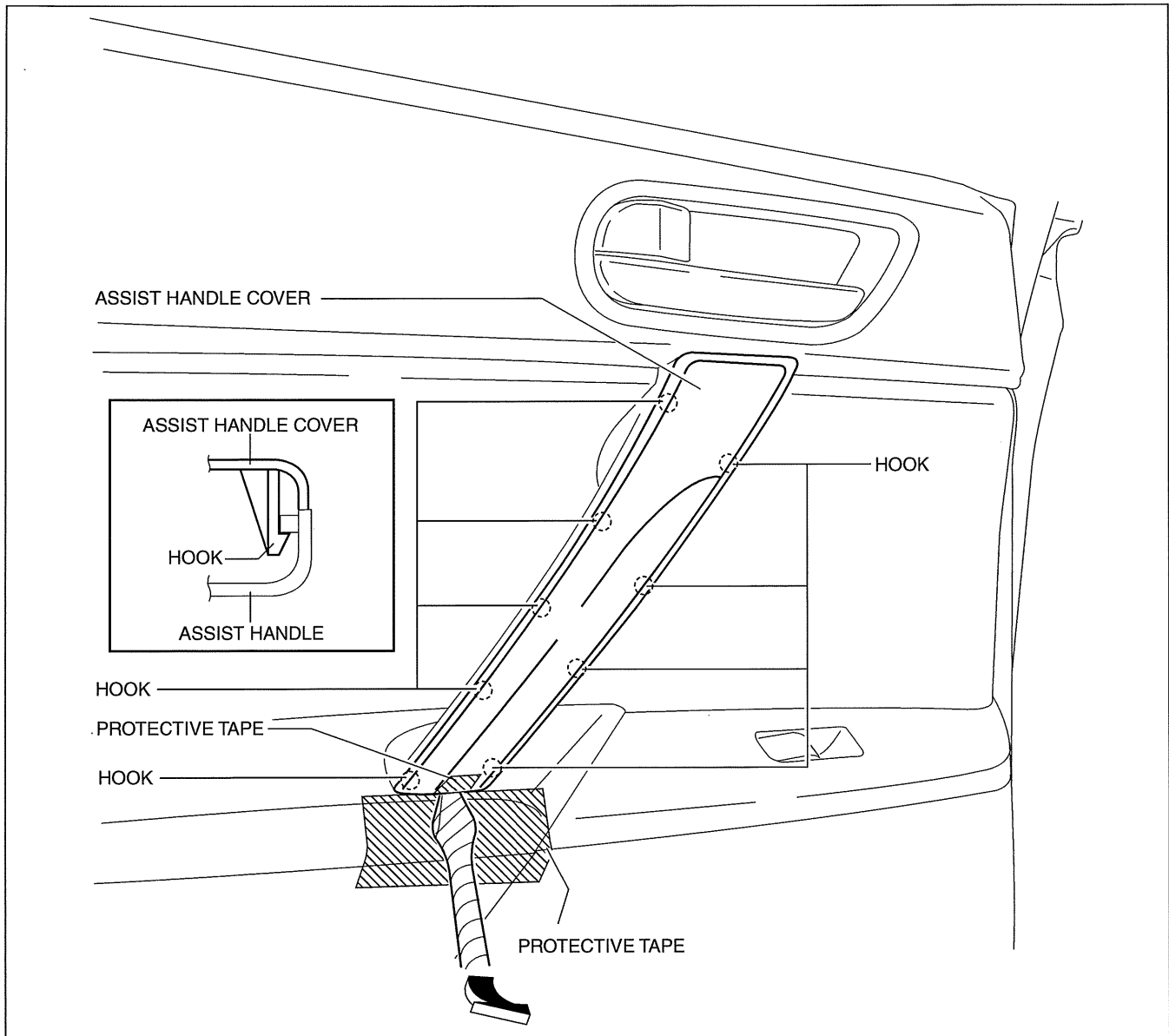
09-17

INTERIOR TRIM

REAR DOOR TRIM REMOVAL/INSTALLATION

id091700802600

1. Disconnect the negative battery cable.
2. Move the hook in the direction of arrow shown in the figure using a tape-lapped flathead screwdriver and detach it from the rear door trim.



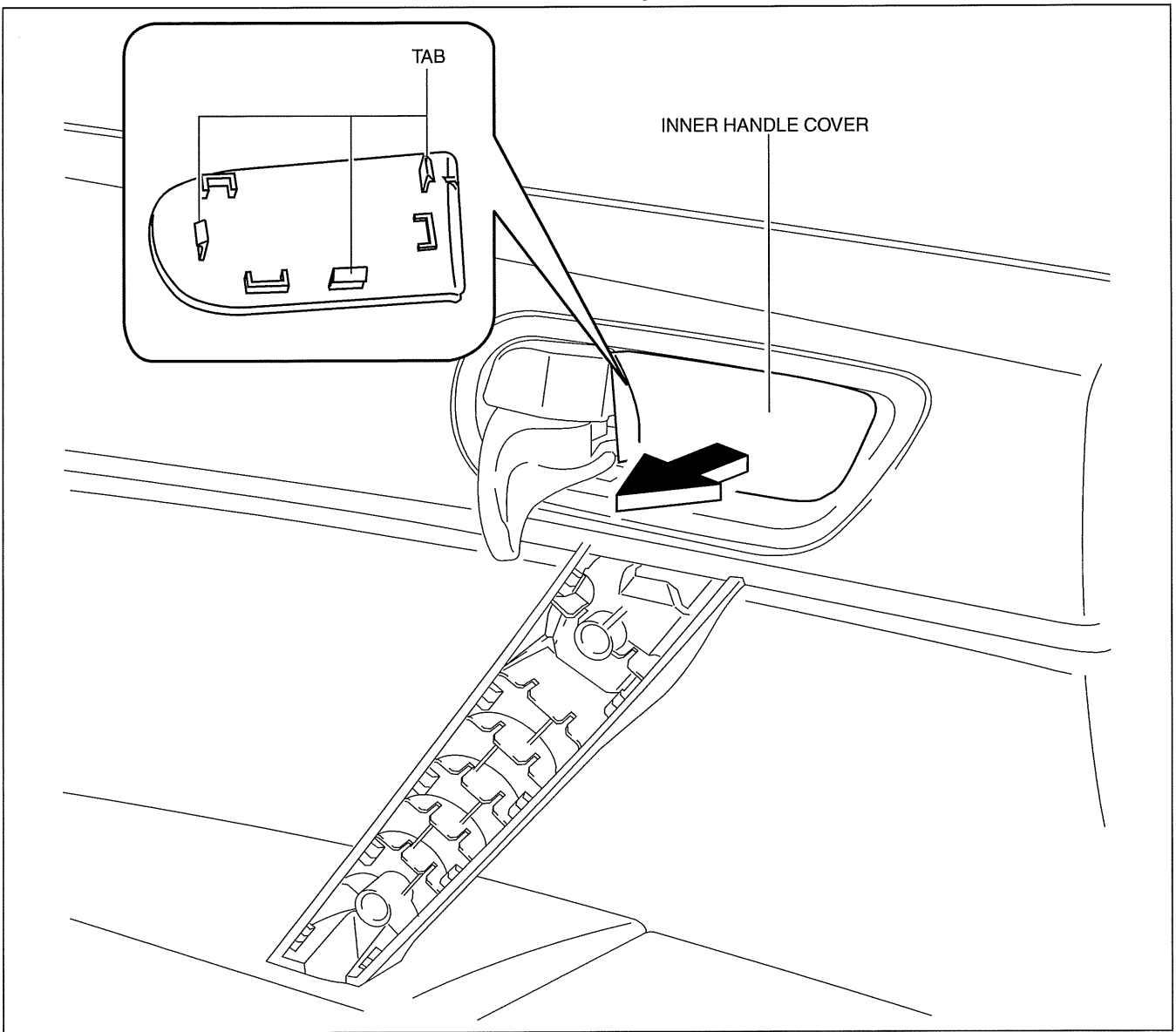
am3uuw0000481

Caution

- Affix protective tape to the rear door trim and assist handle cover to prevent damage.

INTERIOR TRIM

3. Pull the cover of inner handle and remove it while detaching tabs.

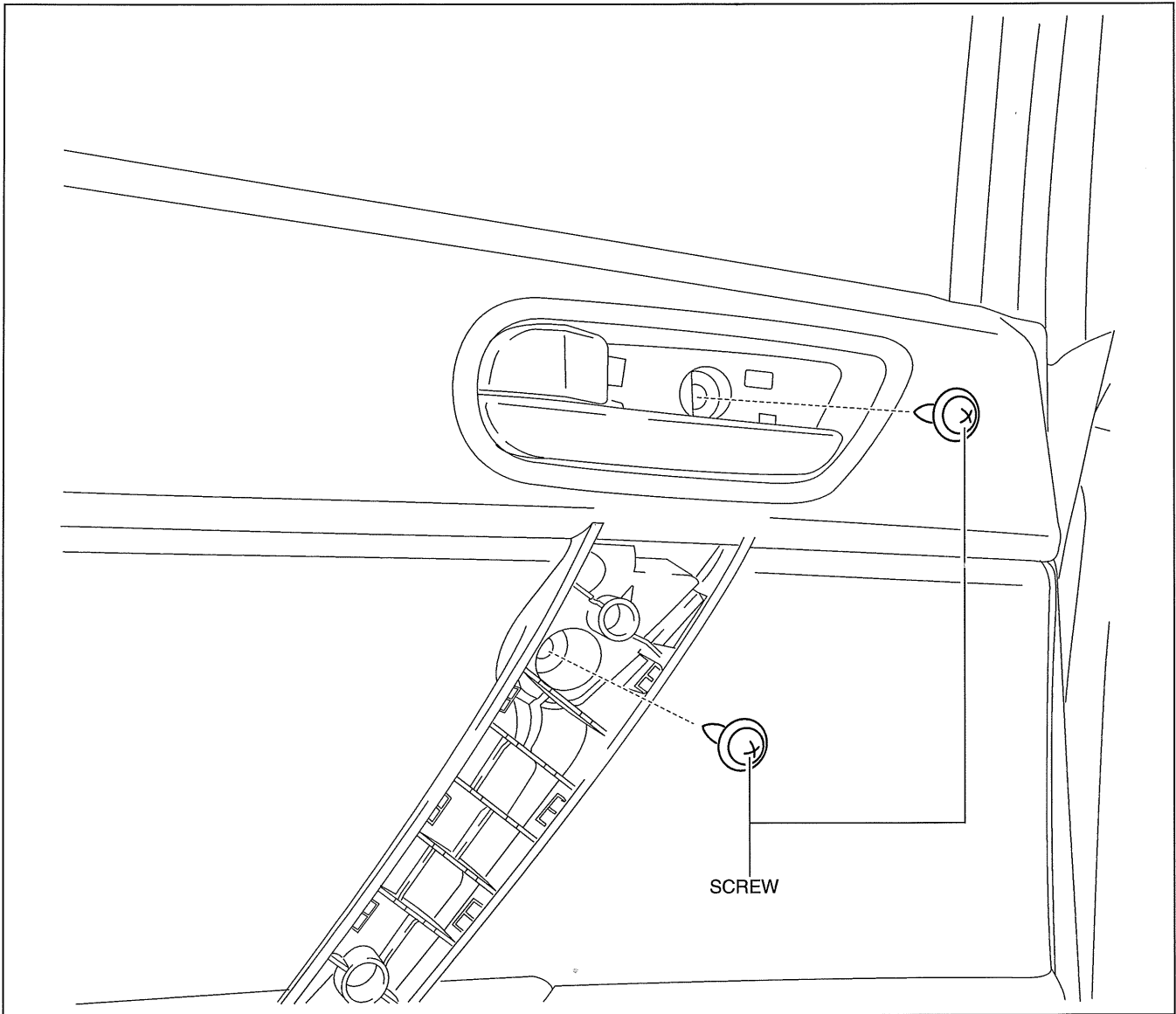


am3uuw000481

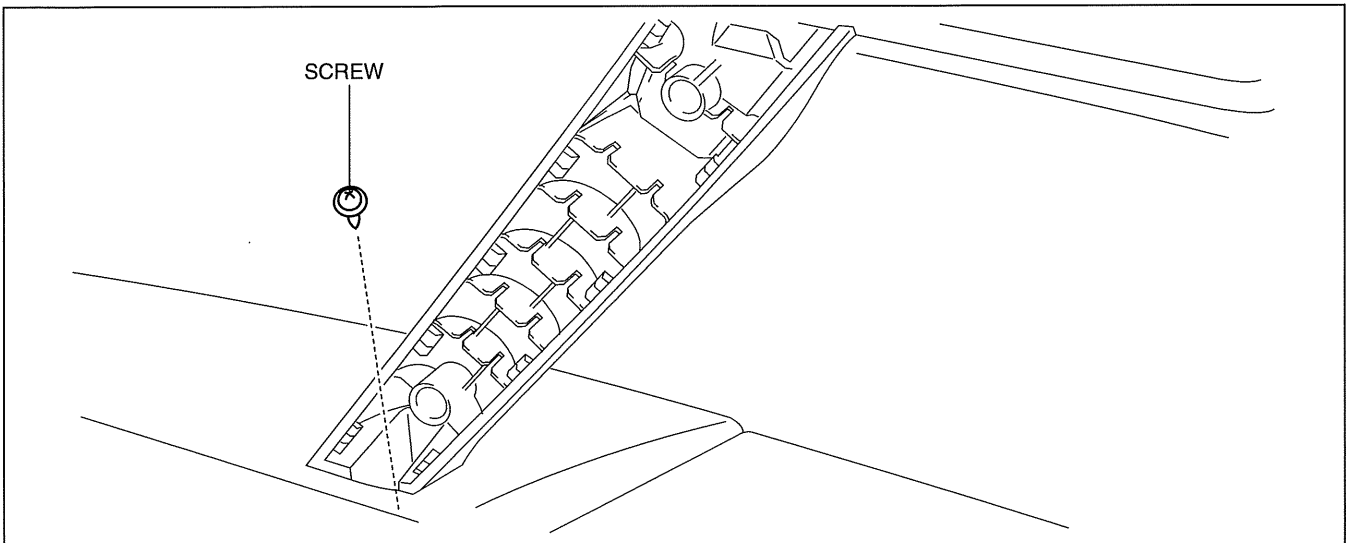
09-17

INTERIOR TRIM

4. Remove the screws.



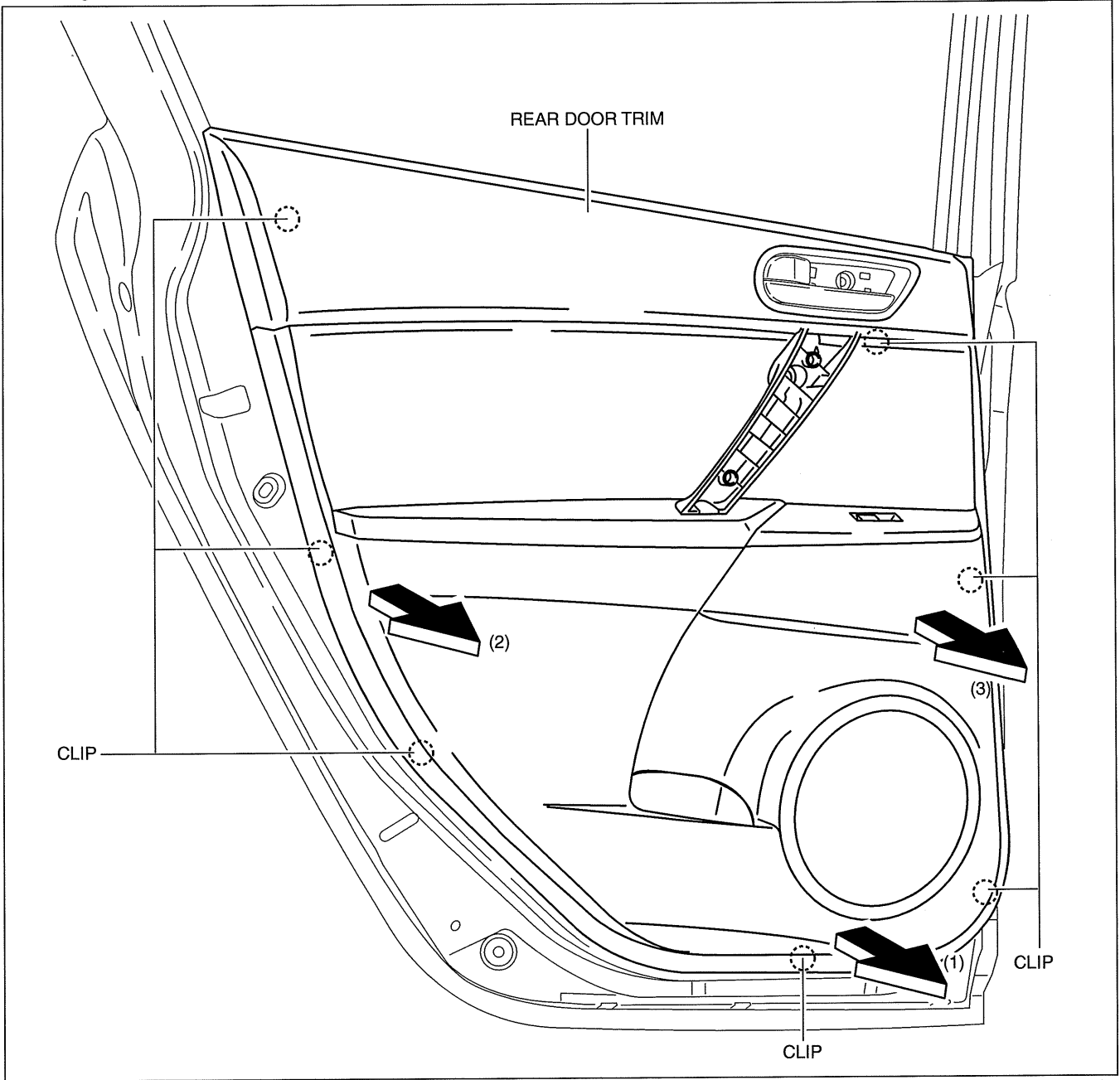
am3uuw0000481



am3uuw0000512

INTERIOR TRIM

5. Pull in the direction of the arrow (1), (2), (3) shown in the figure and remove clips from the door inner panel using a fastener remover.

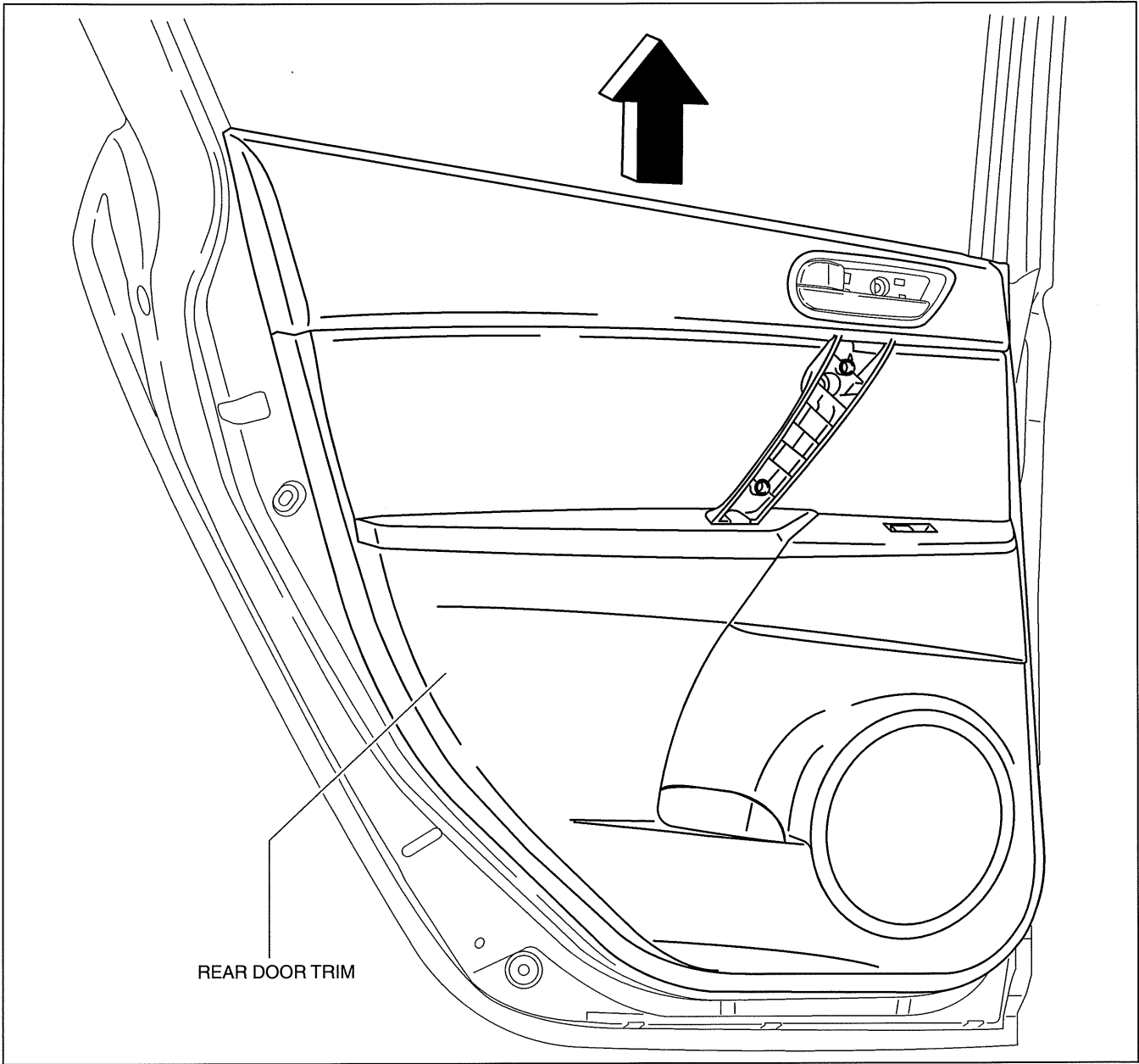


am3uuw000482

09-17

INTERIOR TRIM

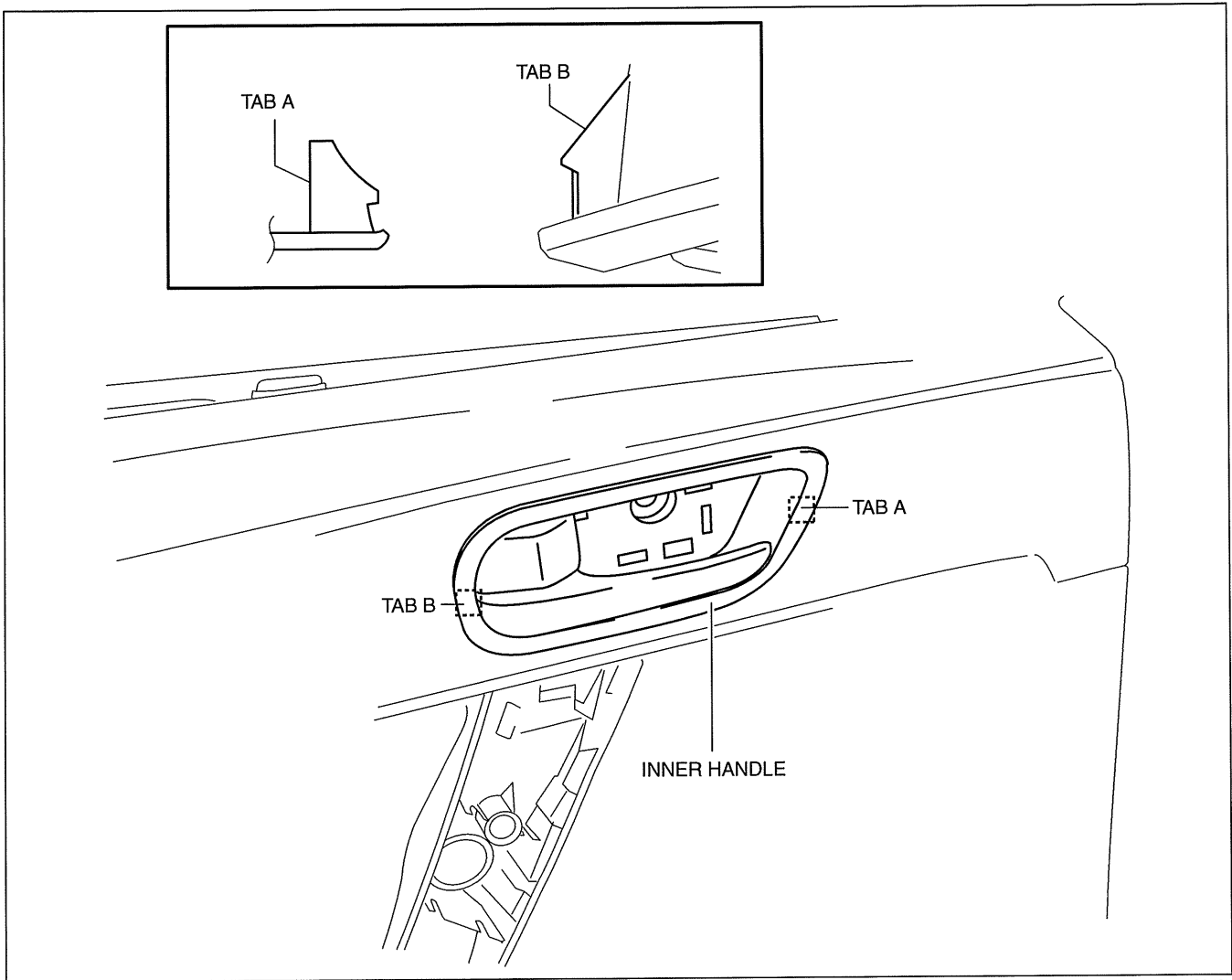
6. Remove the rear door trim in the direction of the arrow shown in the figure.



am3uuw0000527

INTERIOR TRIM

7. Remove the inner handle and move the rear door trim in the direction of the arrow shown in the figure.

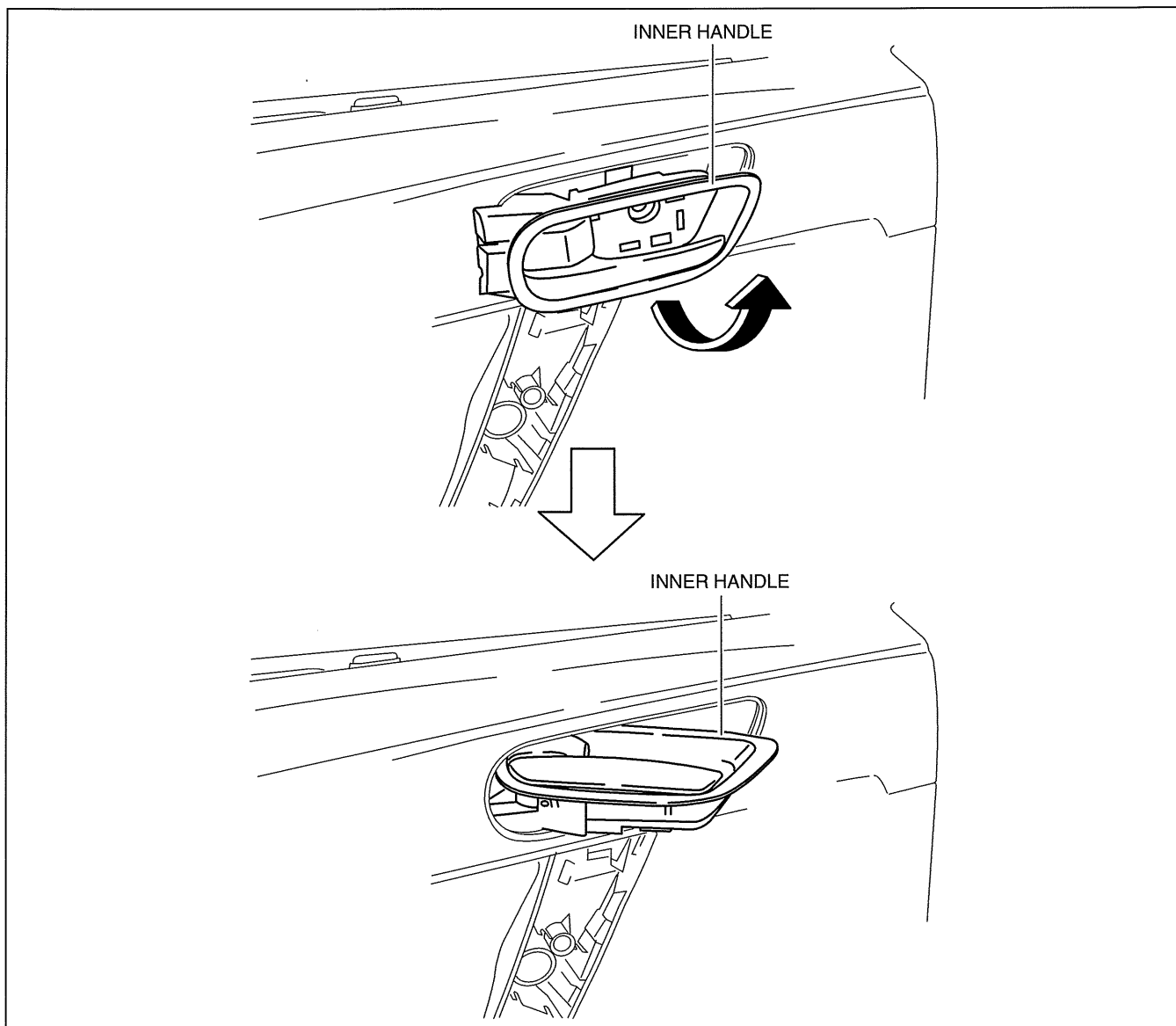


am3uuw0000527

09-17

INTERIOR TRIM

8. Turn the inner handle 90° in the direction of the arrow and remove it from the rear door trim.



am3uuw000482

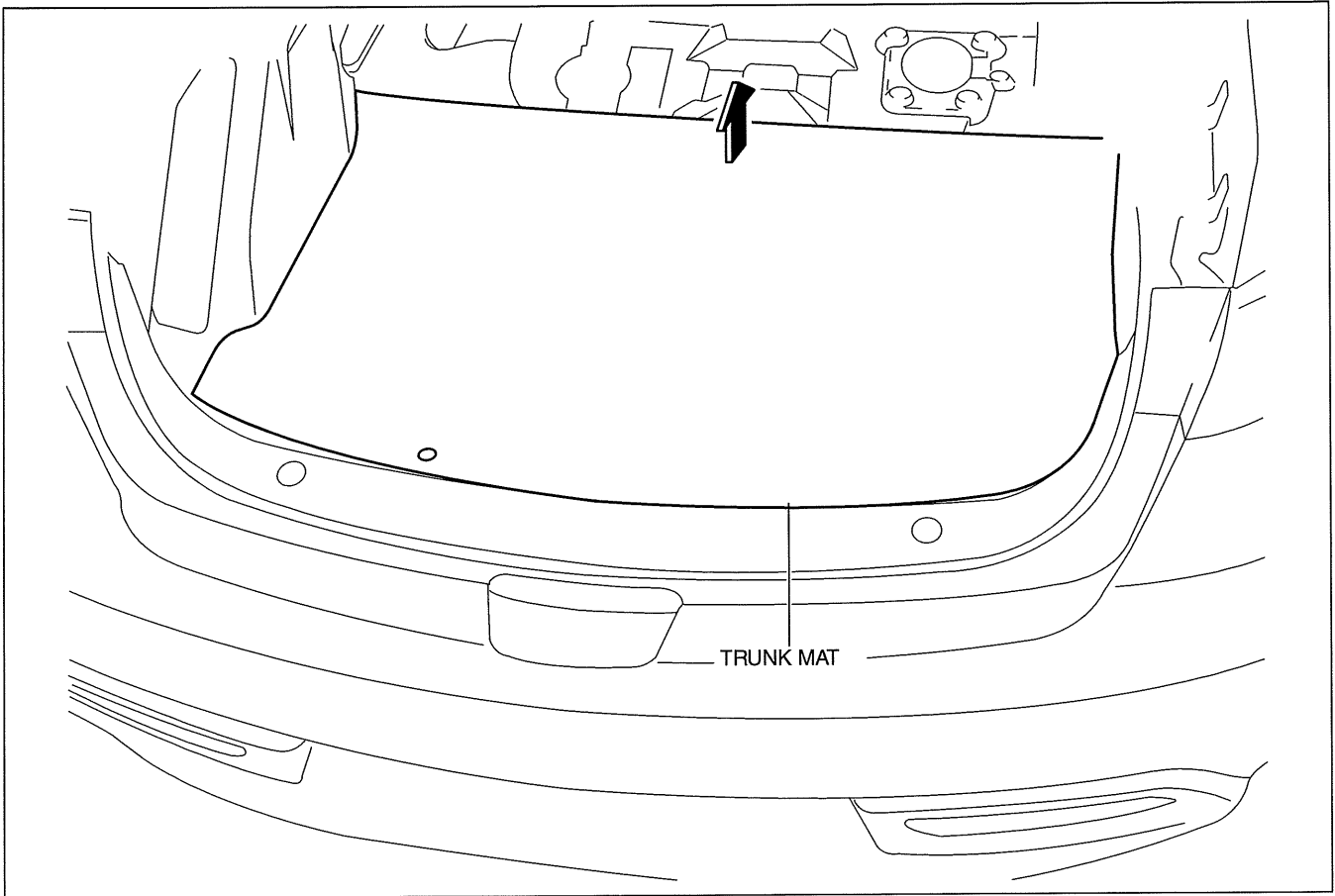
9. Disconnect the power window subswitch connector.
10. Install in the reverse order of removal.

INTERIOR TRIM

TRUNK BOARD REMOVAL/INSTALLATION

id091700810000

1. Remove the trunk mat in the direction of arrow shown in the figure.

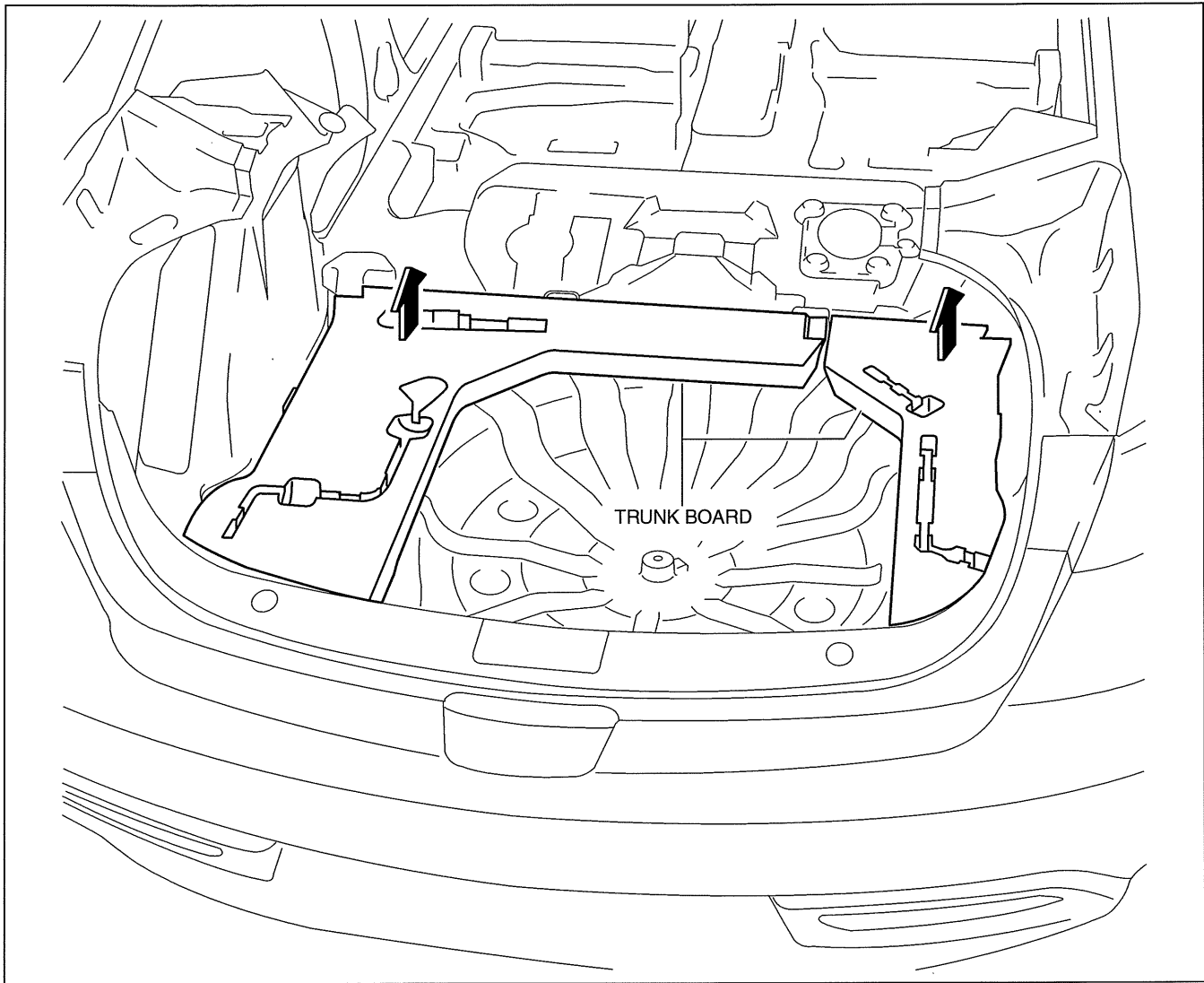


am3uuw0000487

09-17

INTERIOR TRIM

2. Remove the trunk board in the direction of arrow shown in the figure.



am3uuw0000487

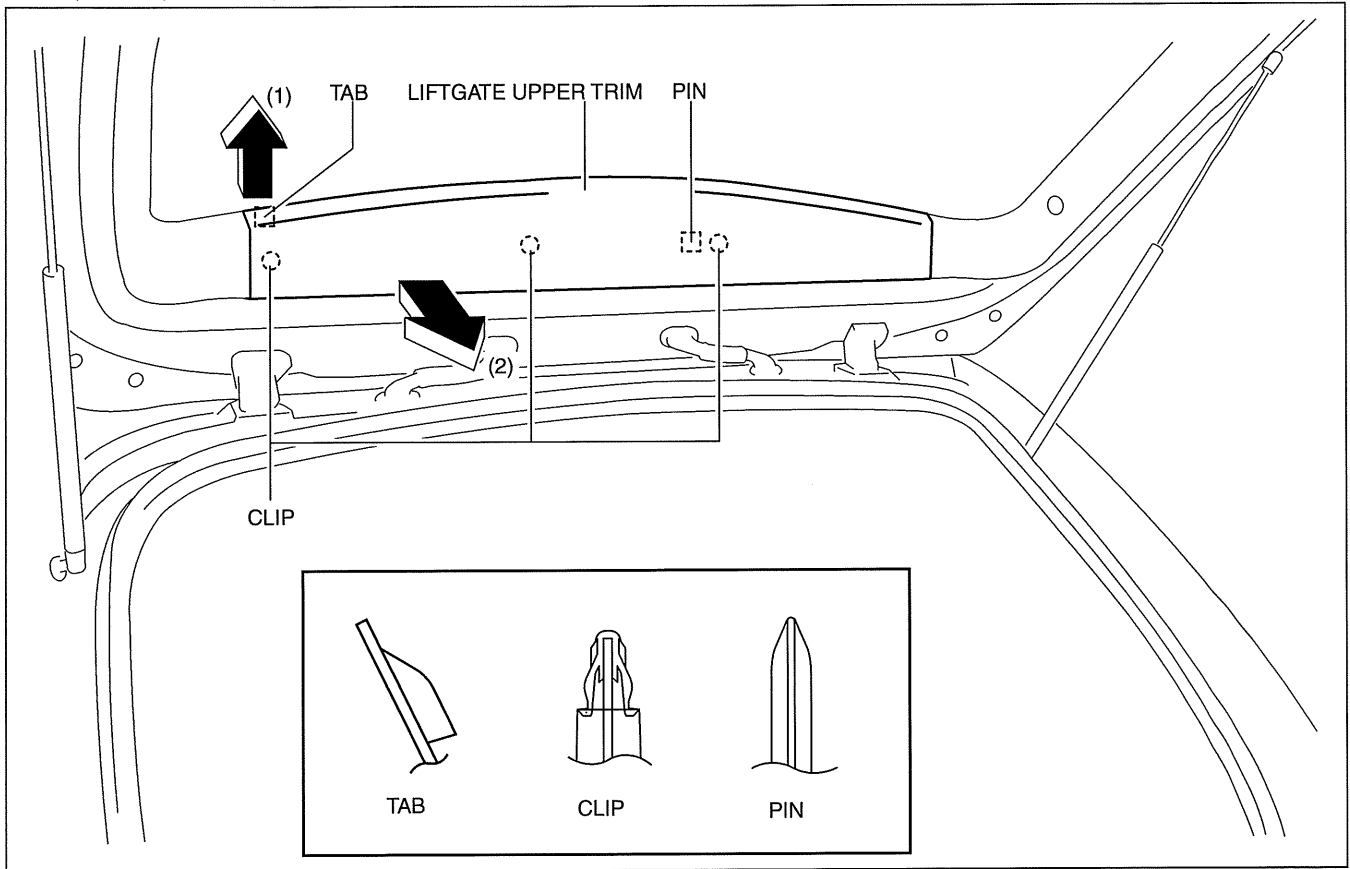
3. Install in the reverse order of removal.

INTERIOR TRIM

LIFTGATE UPPER TRIM REMOVAL/INSTALLATION

id091700803600

1. Detach tab while pulling the liftgate upper trim in the direction of the arrow (1) shown in the figure, then detach clips and pin while pulling in the direction of the arrow (2).

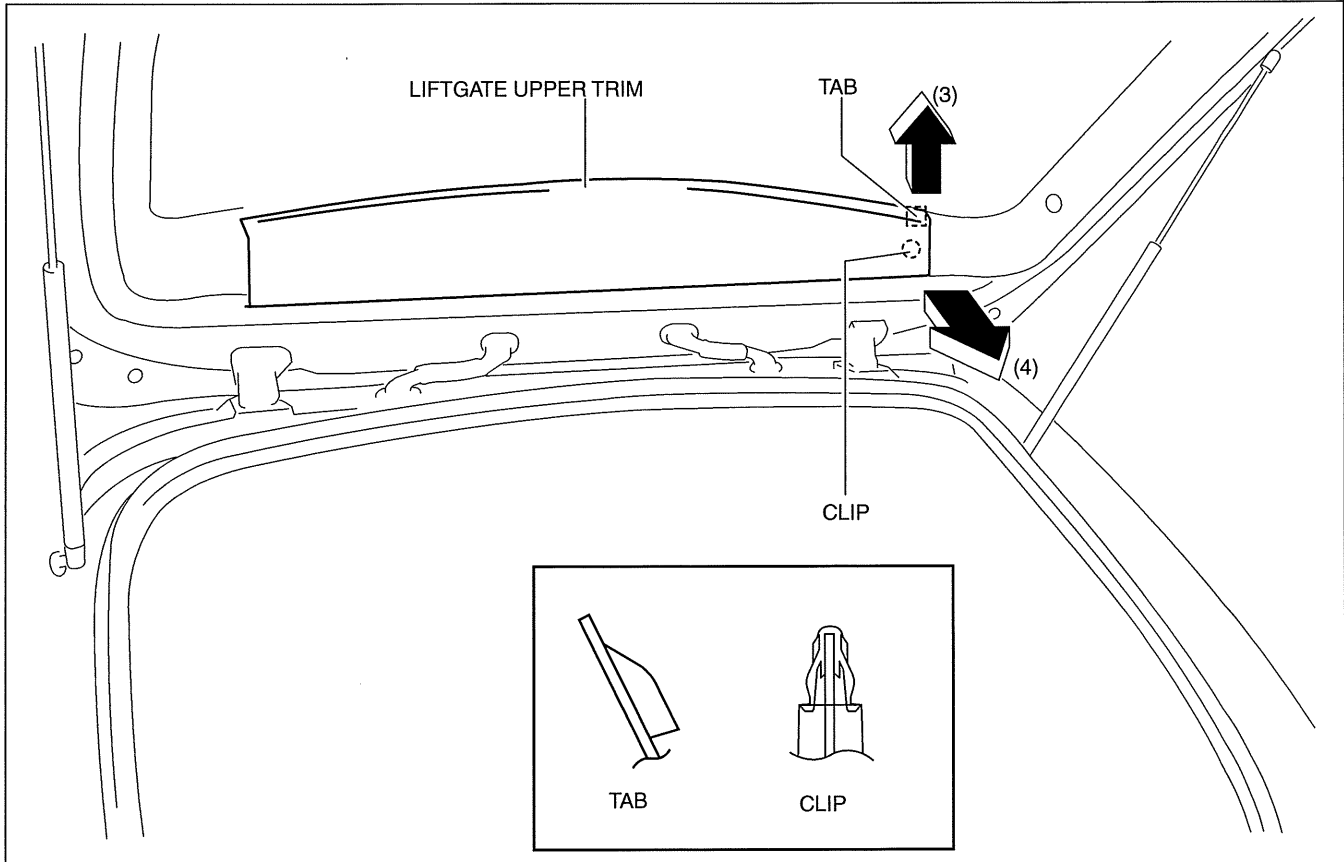


am3uuw0000487

09-17

INTERIOR TRIM

2. Detach tab while pulling the liftgate upper trim in the direction of the arrow (3) shown in the figure, then detach clip while pulling in the direction of the arrow (4).



am3uuw0000487

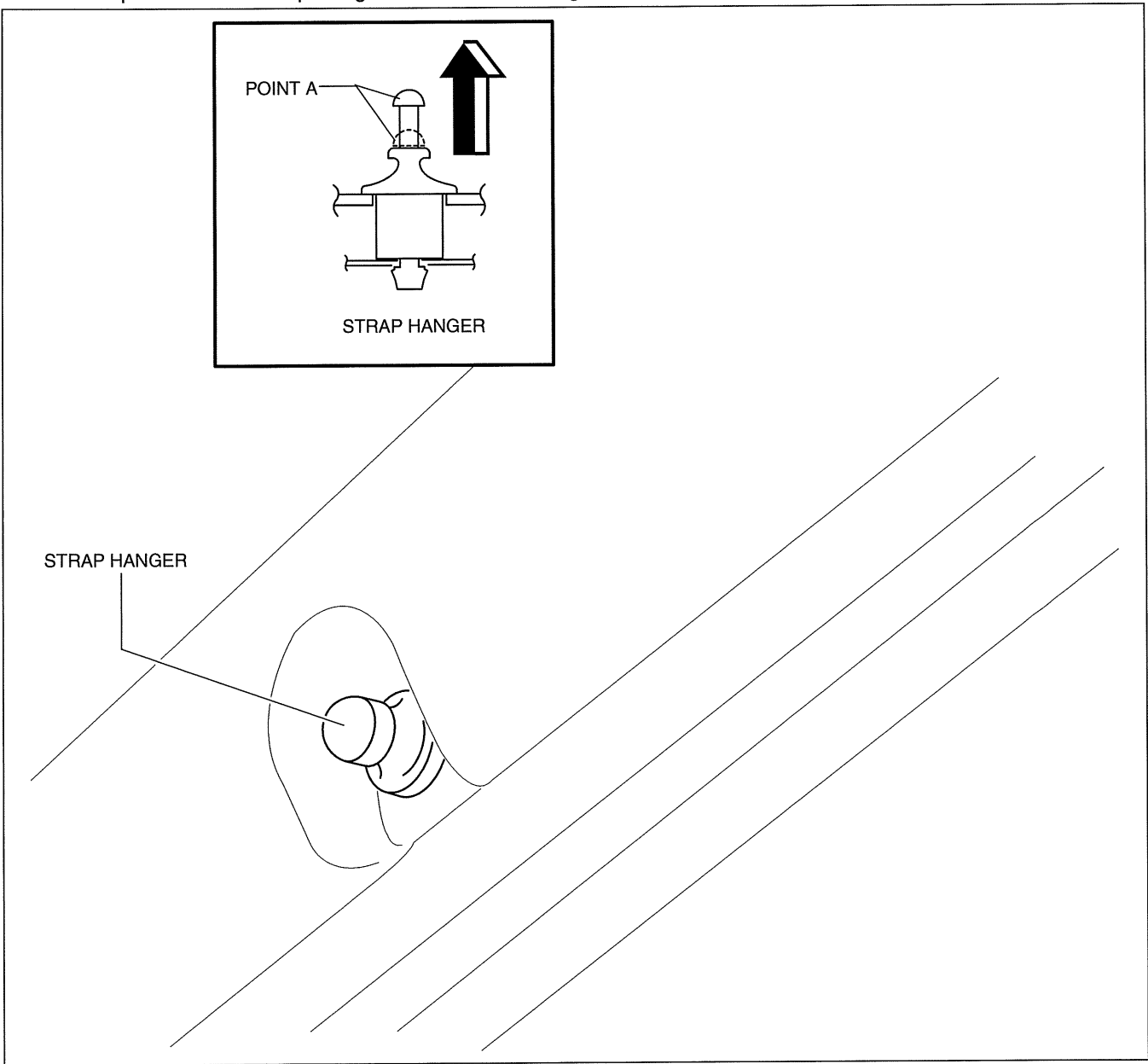
3. Remove the liftgate upper trim.
4. Install in the reverse order of removal.

INTERIOR TRIM

LIFTGATE SIDE TRIM REMOVAL/INSTALLATION

id091700803700

1. Remove the liftgate upper trim. (See 09-17-97 LIFTGATE UPPER TRIM REMOVAL/INSTALLATION.)
2. Pull the point A of the strap hanger as shown in the figure.

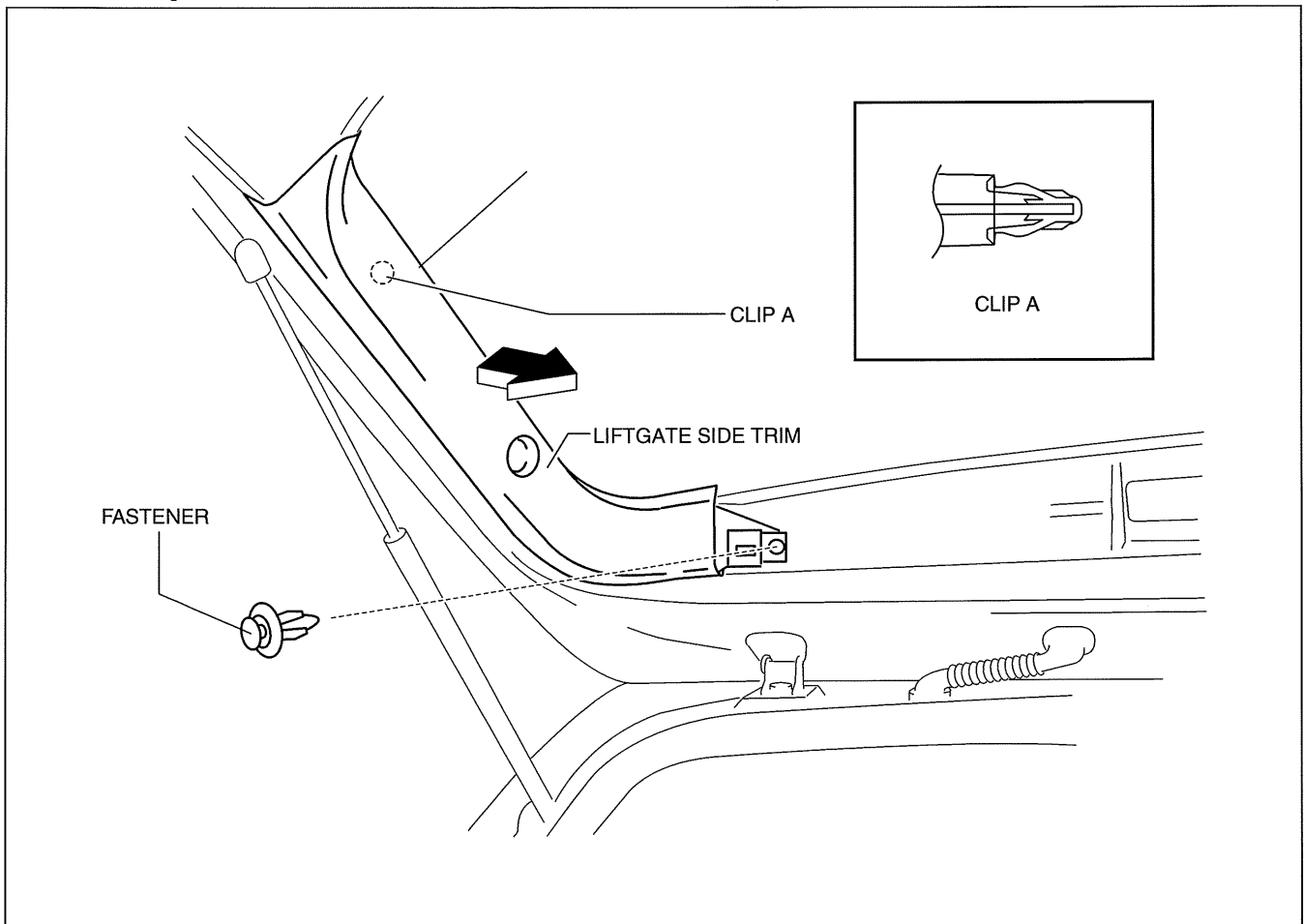


09-17

am3uuw000488

INTERIOR TRIM

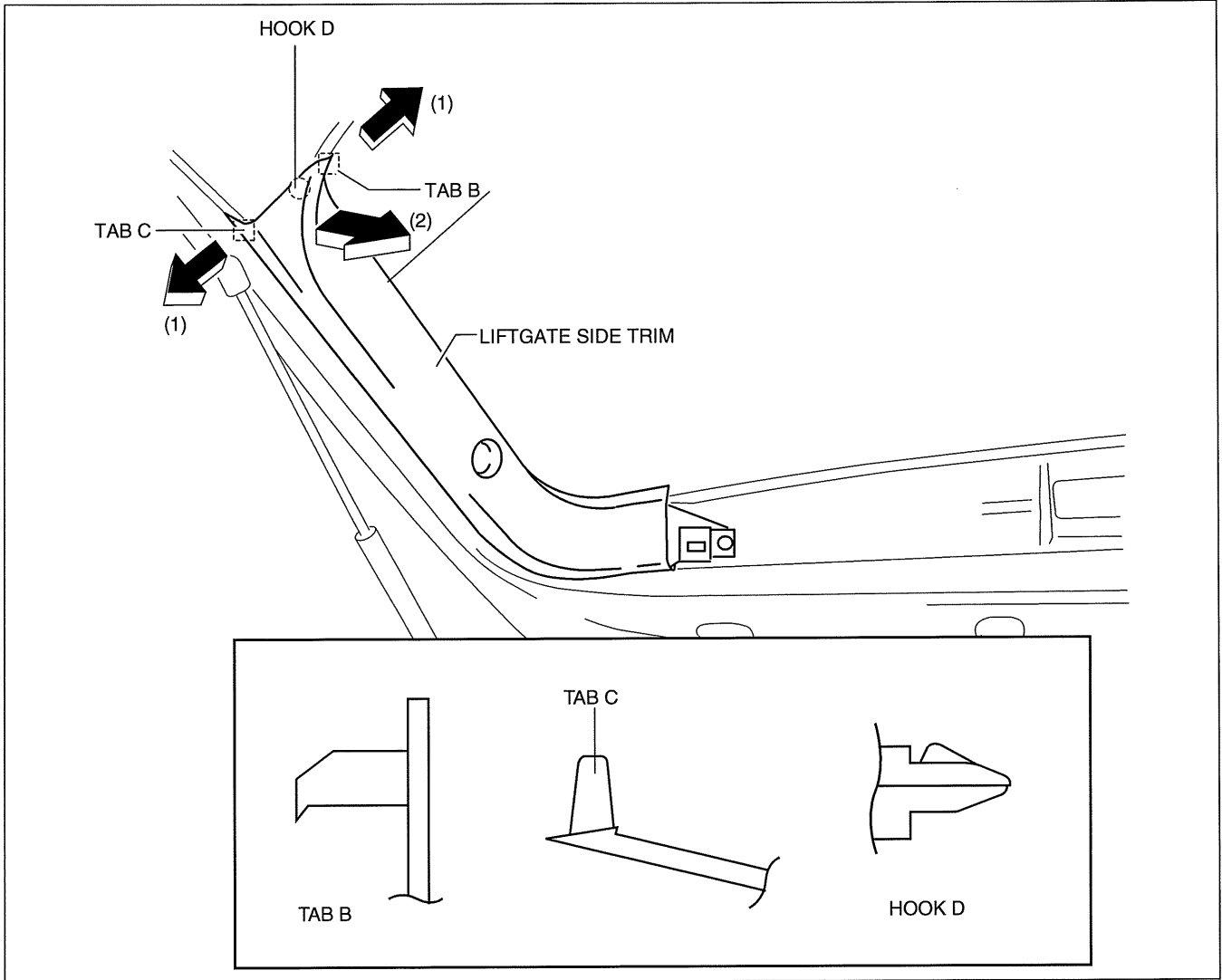
3. Remove the strap hanger.
4. Remove the fastener.
5. Pull the liftgate side trim in the direction of arrow then remove clip A.



am3uuw0000488

INTERIOR TRIM

6. Detach tab B and C while pulling the liftgate side trim in the direction of the arrow (1) shown in the figure, then detach hook D while pulling in the direction of the arrow (2).



09-17

am3uuw0000488

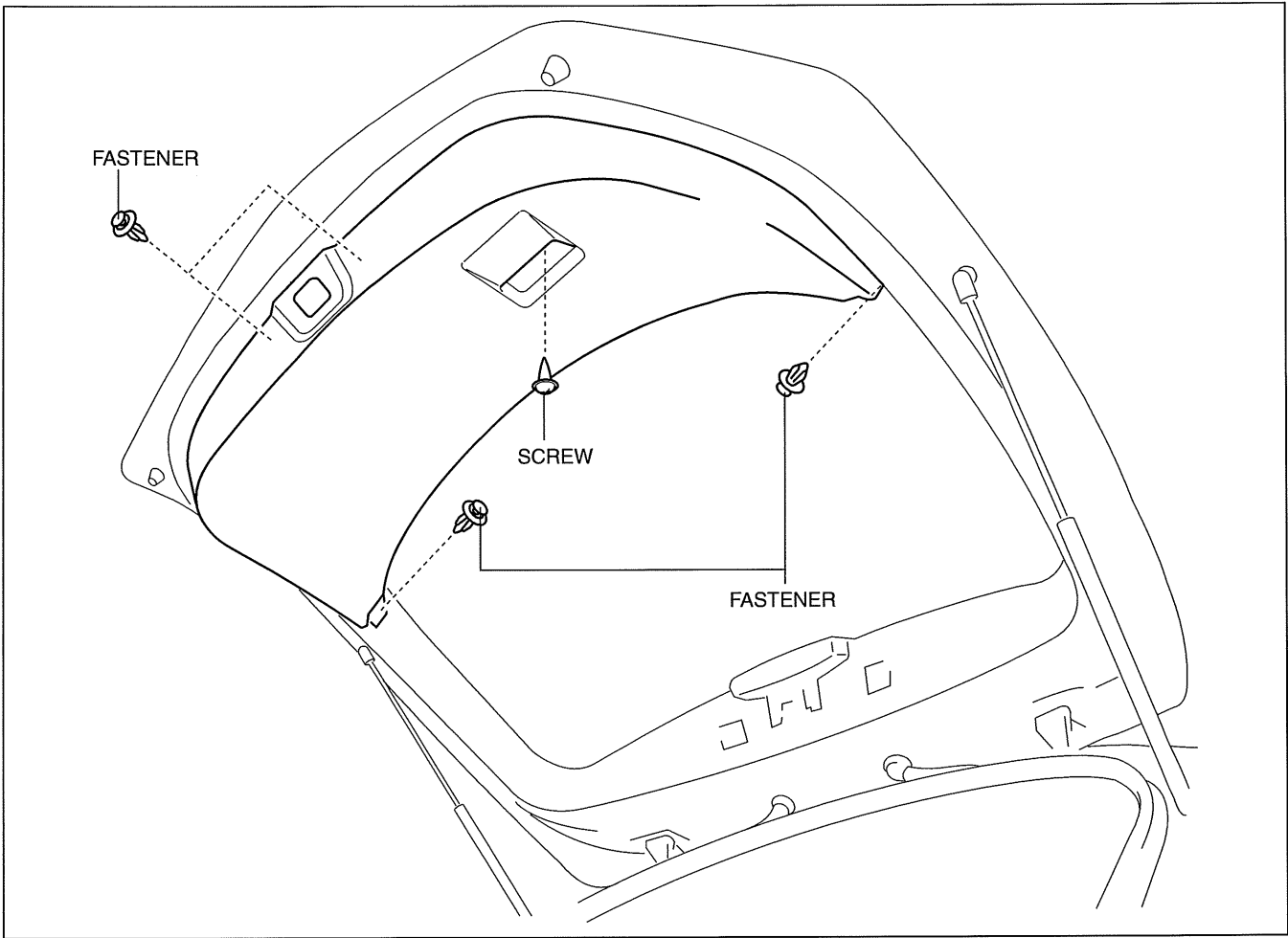
7. Install in the reverse order of removal.

INTERIOR TRIM

LIFTGATE LOWER TRIM REMOVAL/INSTALLATION

id091700803800

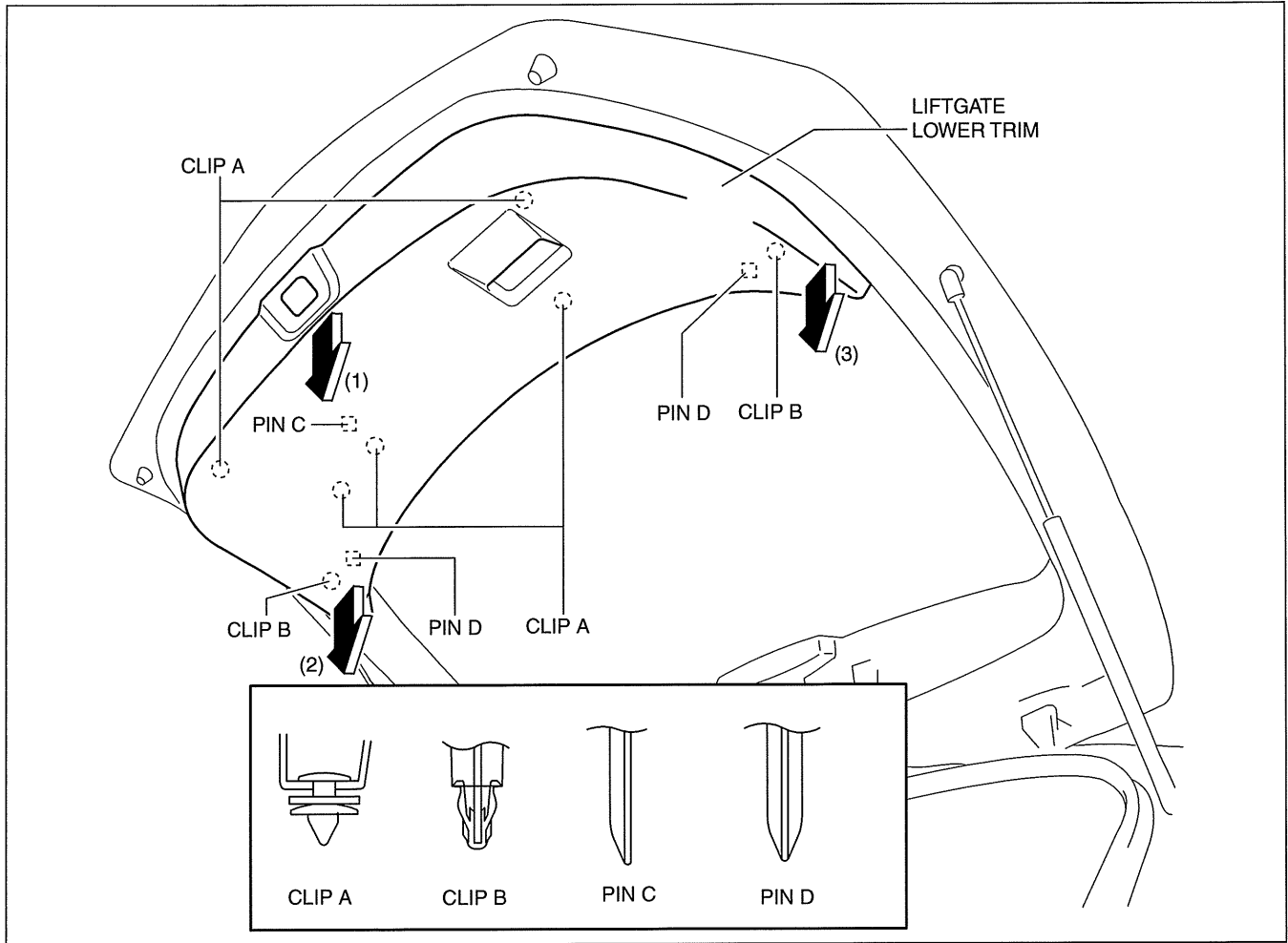
1. Remove the liftgate upper trim. (See 09-17-97 LIFTGATE UPPER TRIM REMOVAL/INSTALLATION.)
2. Remove the liftgate side trim. (See 09-17-99 LIFTGATE SIDE TRIM REMOVAL/INSTALLATION.)
3. Remove the screw and fasteners.



am3uuw000488

INTERIOR TRIM

4. Pull the liftgate lower trim in the direction of arrow (1), (2), (3), then detach clips A, B, pin C and D from the liftgate.



am3uuw0000527

5. Remove the liftgate lower trim.
6. Install in the reverse order of removal.

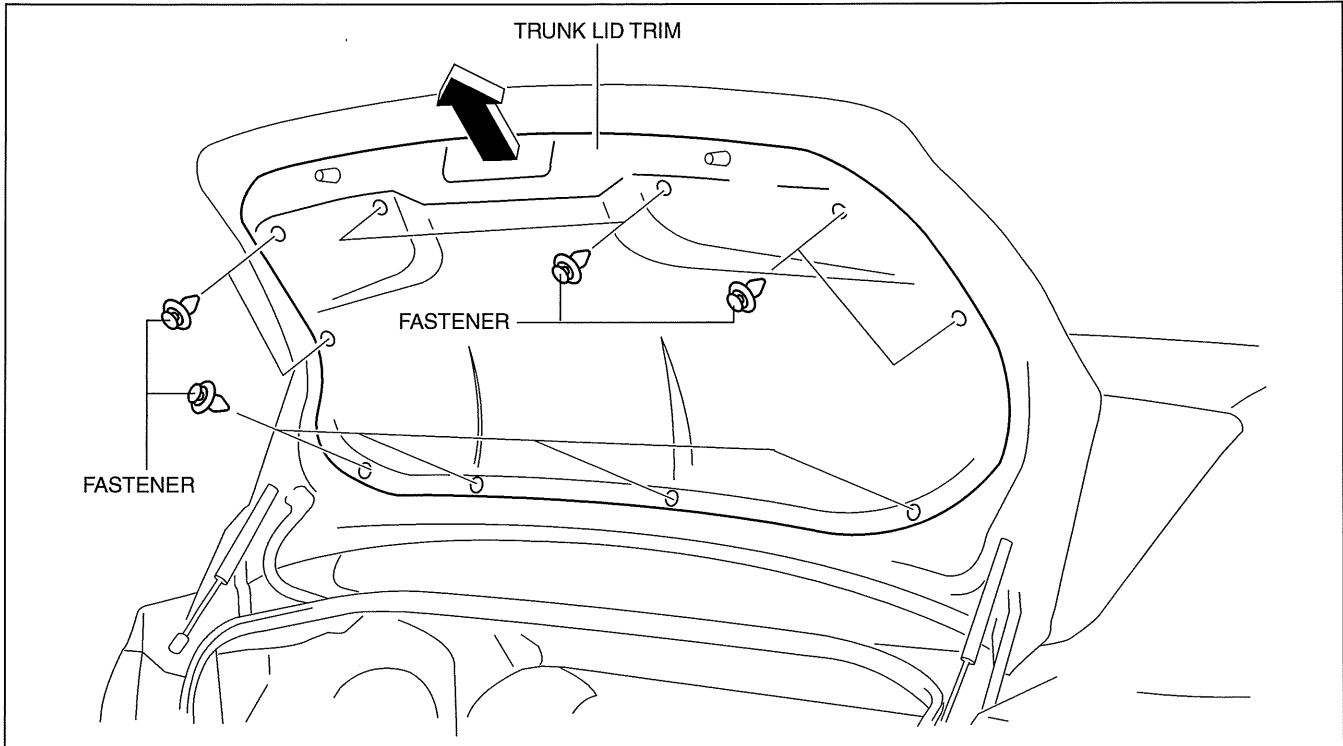
09-17

INTERIOR TRIM

TRUNK LID TRIM REMOVAL/INSTALLATION

id091700803500

1. Remove the fasteners, then remove the trunk lid trim.



am3uuw0000489

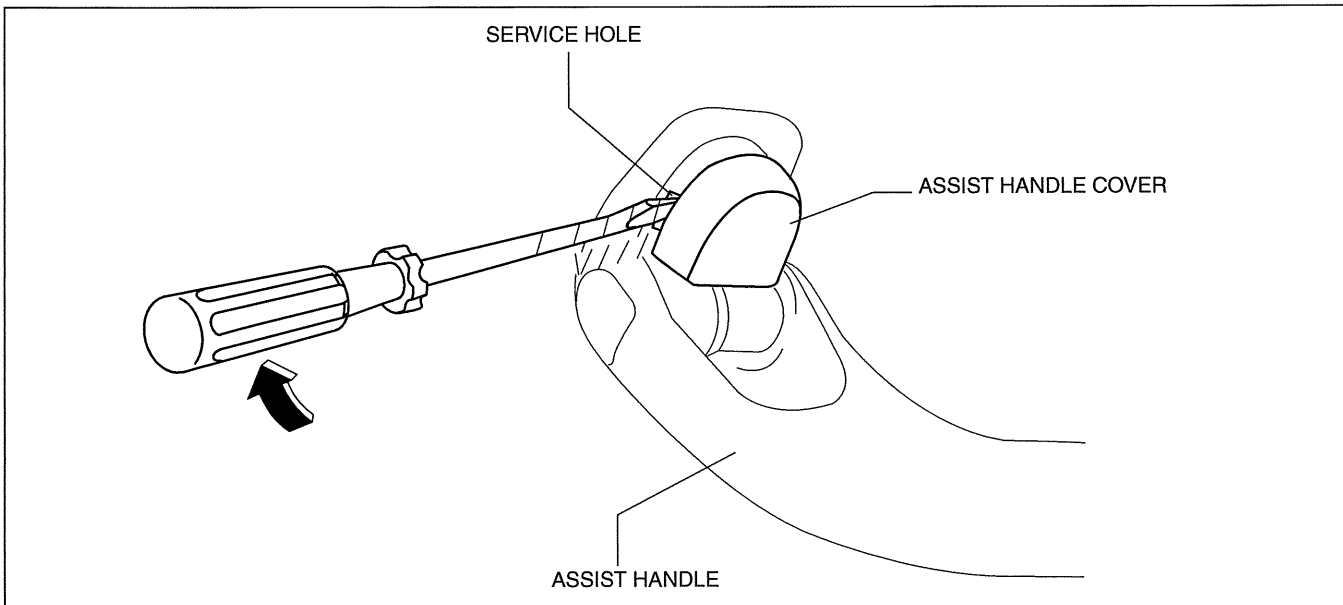
2. Install in the reverse order of removal.

ASSIST HANDLE REMOVAL/INSTALLATION

id091700801800

Assist Handle Removal

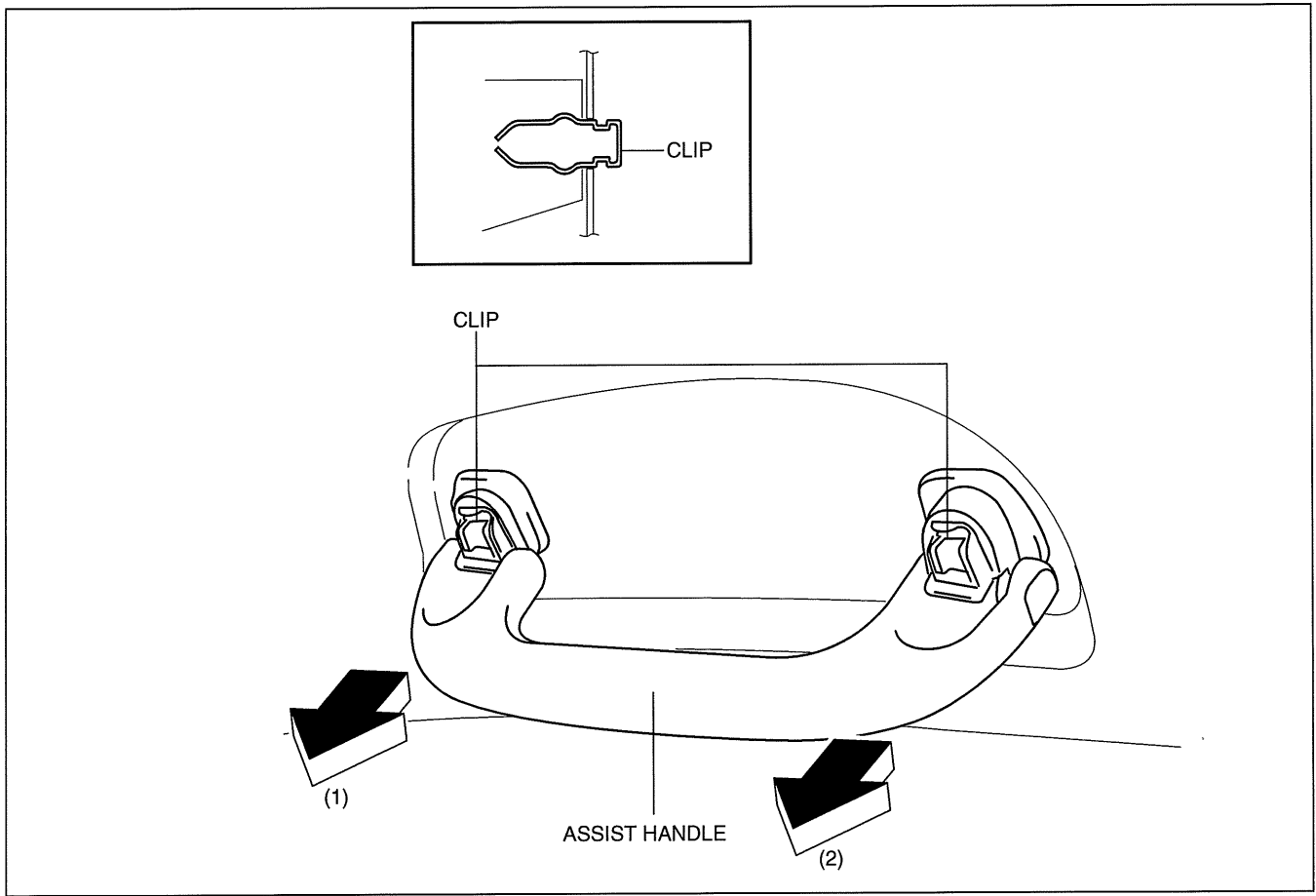
1. Insert a flathead screwdriver into the service hole and remove the assist handle covers.



am3uuw0000524

INTERIOR TRIM

2. Remove the assist handle in the direction of the arrow (1) and (2), while detach the clip.



am3uuw0000524

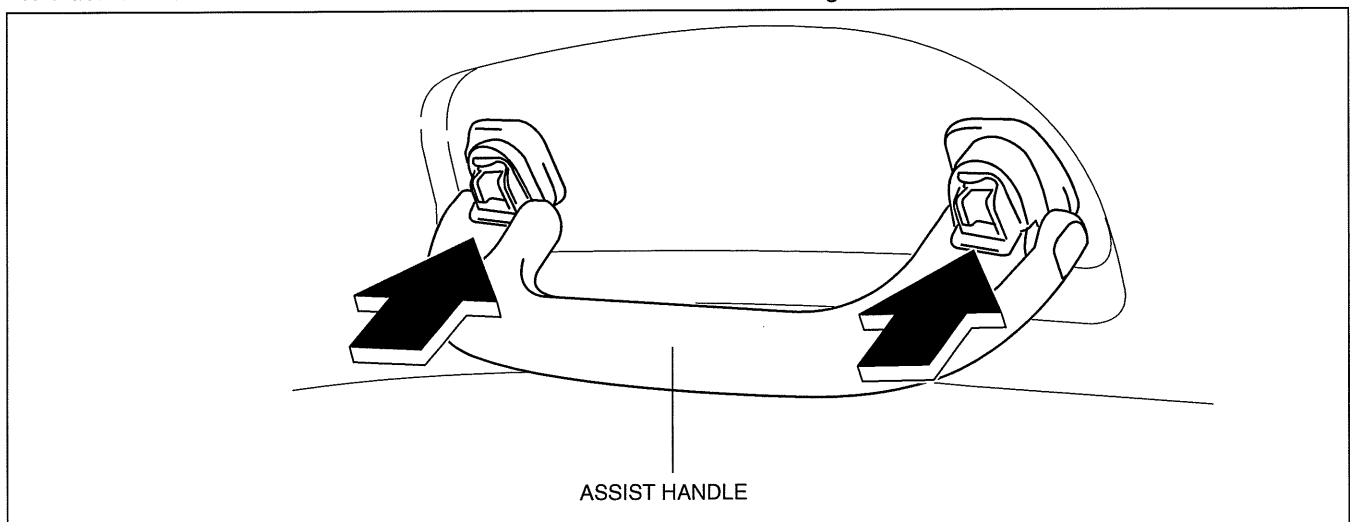
09-17

Note

- Remove the assist handle by shaking it up and down.

Assist Handle Installation

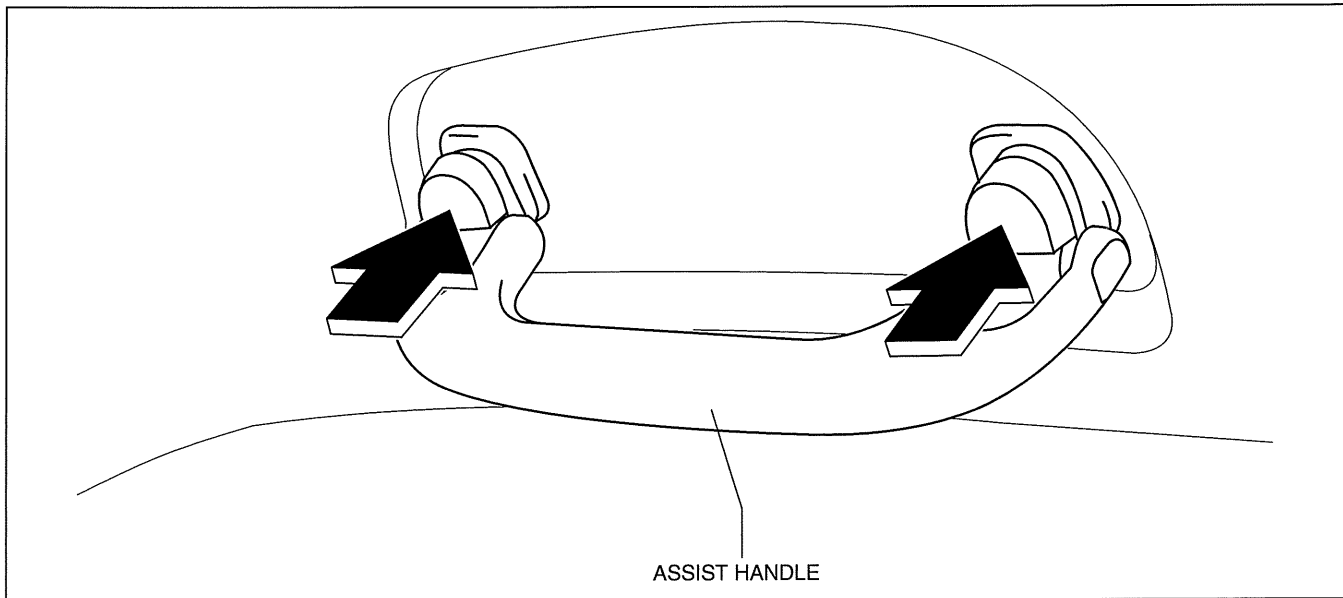
1. Push the assist handle in the direction of the arrow shown in the figure.



am3uuw0000528

INTERIOR TRIM

2. Push the assist handle cover assembled to install the assist handle.

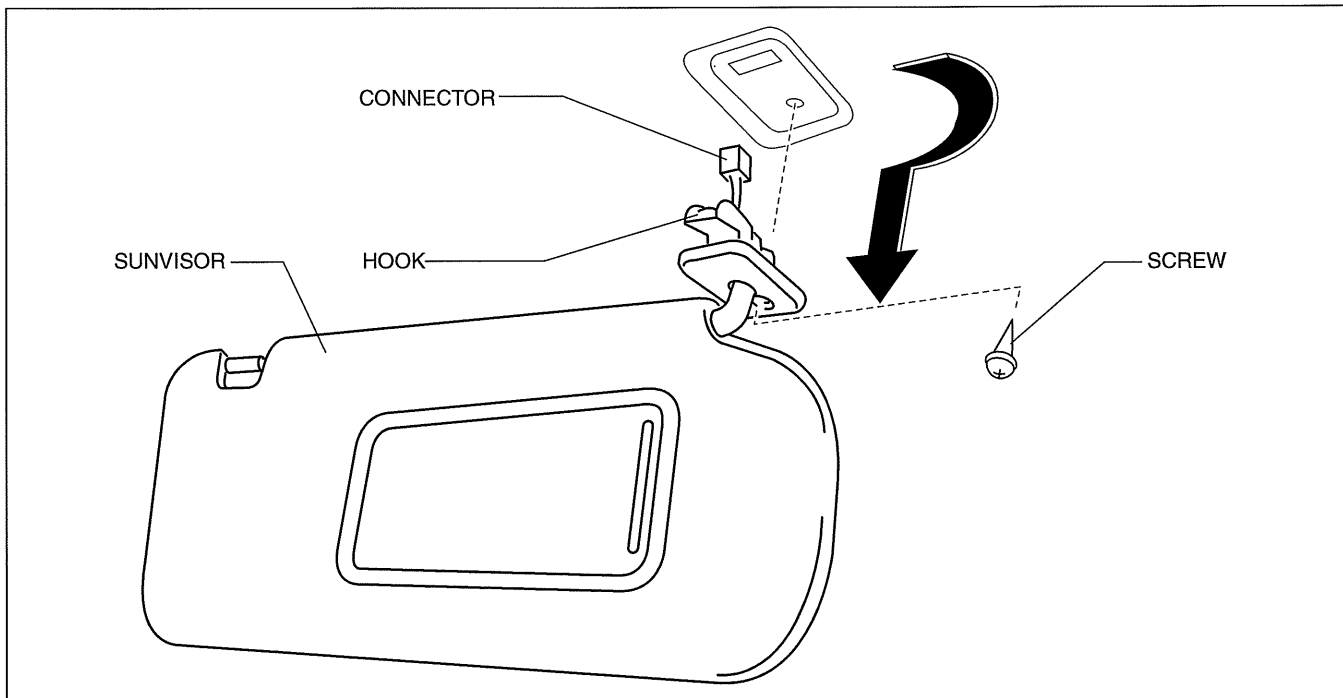


am3uuw0000524

SUNVISOR REMOVAL/INSTALLATION

id091700801700

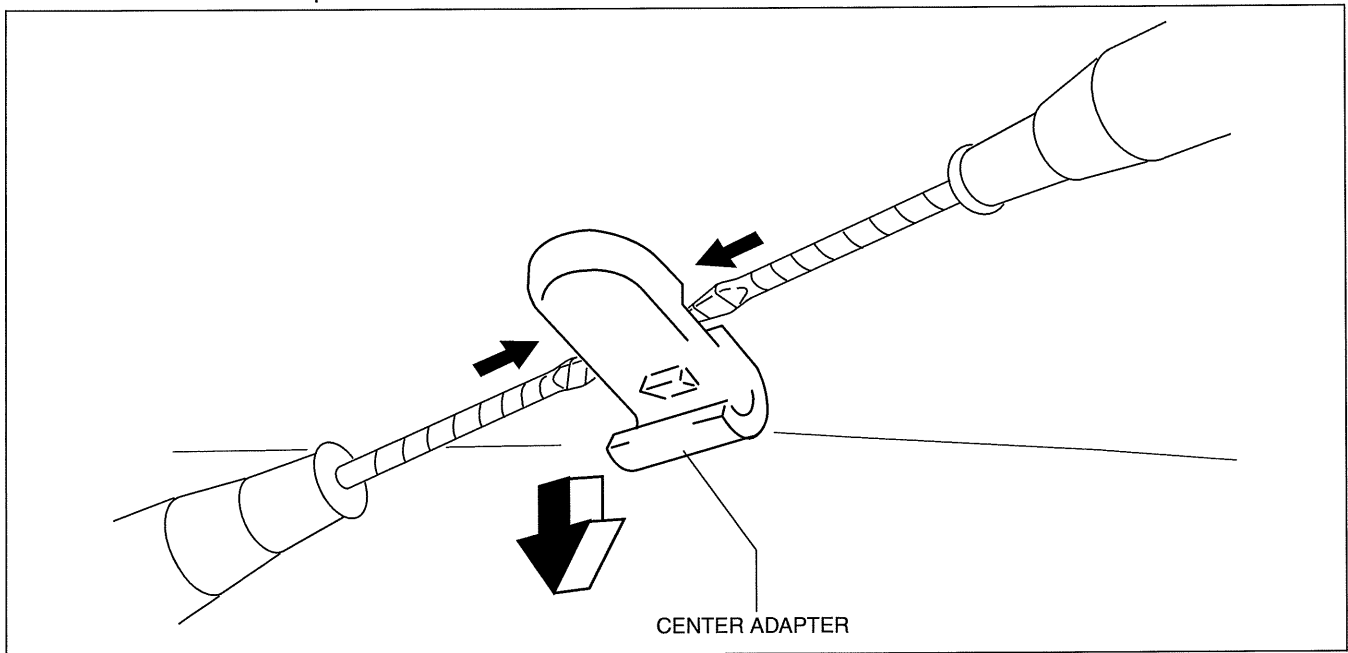
1. Disconnect the negative battery cable.
2. Remove the screw.
3. Rotate the sunvisor in the direction of the arrow.
4. Unhook and remove the sunvisor.



am3uuw0000524

INTERIOR TRIM

5. Disconnect the vanity mirror illumination connector. (Vehicles with vanity mirror illumination)
6. Press the center adaptor tabs as shown in the figure using two tape-wrapped flathead screwdrivers, and remove the center adaptor.



am3uuw0000524

7. Install in the reverse order of removal.

HEADLINER REMOVAL/INSTALLATION

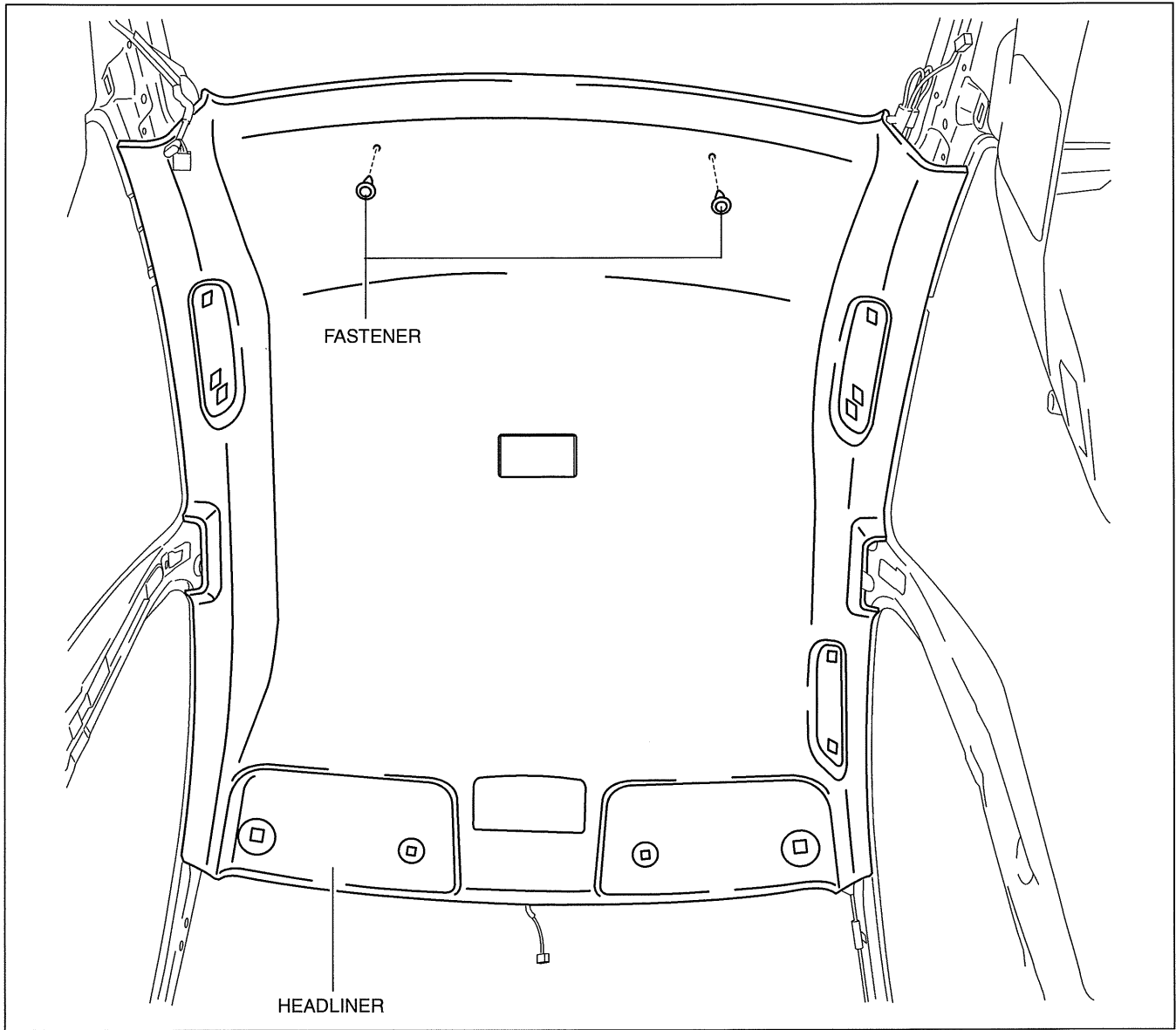
id091700801600

09-17

1. Shift to the D (ATX) or 4th gear (MTX) position. (4SD)
2. Disconnect the negative battery cable.
3. Remove the rain sensor cover. (Vehicles with auto light/wiper system) (See 09-19-25 RAIN SENSOR REMOVAL/INSTALLATION)
4. Disconnect the rain sensor connector. (Vehicles with auto light/wiper system)
5. Partially peel back the seaming welts.
6. Remove the following parts:
 - (1) Sunroof seaming welt (vehicles with sunroof)
 - (2) A-pillar trim (See 09-17-50 A-PILLAR TRIM REMOVAL/INSTALLATION.)
 - (3) Front scuff plate (See 09-17-67 FRONT SCUFF PLATE REMOVAL/INSTALLATION.)
 - (4) Rear scuff plate (See 09-17-68 REAR SCUFF PLATE REMOVAL/INSTALLATION.)
 - (5) B-pillar lower trim (See 09-17-59 B-PILLAR LOWER TRIM REMOVAL/INSTALLATION.)
 - (6) Upper anchor of the front seat belt (See 08-11-3 FRONT SEAT BELT REMOVAL/INSTALLATION.)
 - (7) B-pillar upper trim (See 09-17-61 B-PILLAR UPPER TRIM REMOVAL/INSTALLATION.)
 - (8) Rear seat cushion (See 09-13-37 REAR SEAT CUSHION REMOVAL/INSTALLATION.)
 - (9) Tire house trim (See 09-17-54 TIRE HOUSE TRIM REMOVAL/INSTALLATION.)
 - (10) Trunk side upper trim (5HB) (See 09-17-78 TRUNK SIDE UPPER TRIM REMOVAL/INSTALLATION.)
 - (11) C-pillar trim (See 09-17-63 C-PILLAR TRIM REMOVAL/INSTALLATION.)
 - (12) Map light (See 09-18-67 MAP LIGHT REMOVAL/INSTALLATION.)
 - (13) Sunvisor (See 09-17-106 SUNVISOR REMOVAL/INSTALLATION.)
 - (14) Assist handle (See 09-17-104 ASSIST HANDLE REMOVAL/INSTALLATION.)
7. Disconnect the roof wiring harness connector and remove the roof wiring harness connector clip from the body.
8. Disconnect the rear washer hose. (5HB)
9. Remove the fasteners.

INTERIOR TRIM

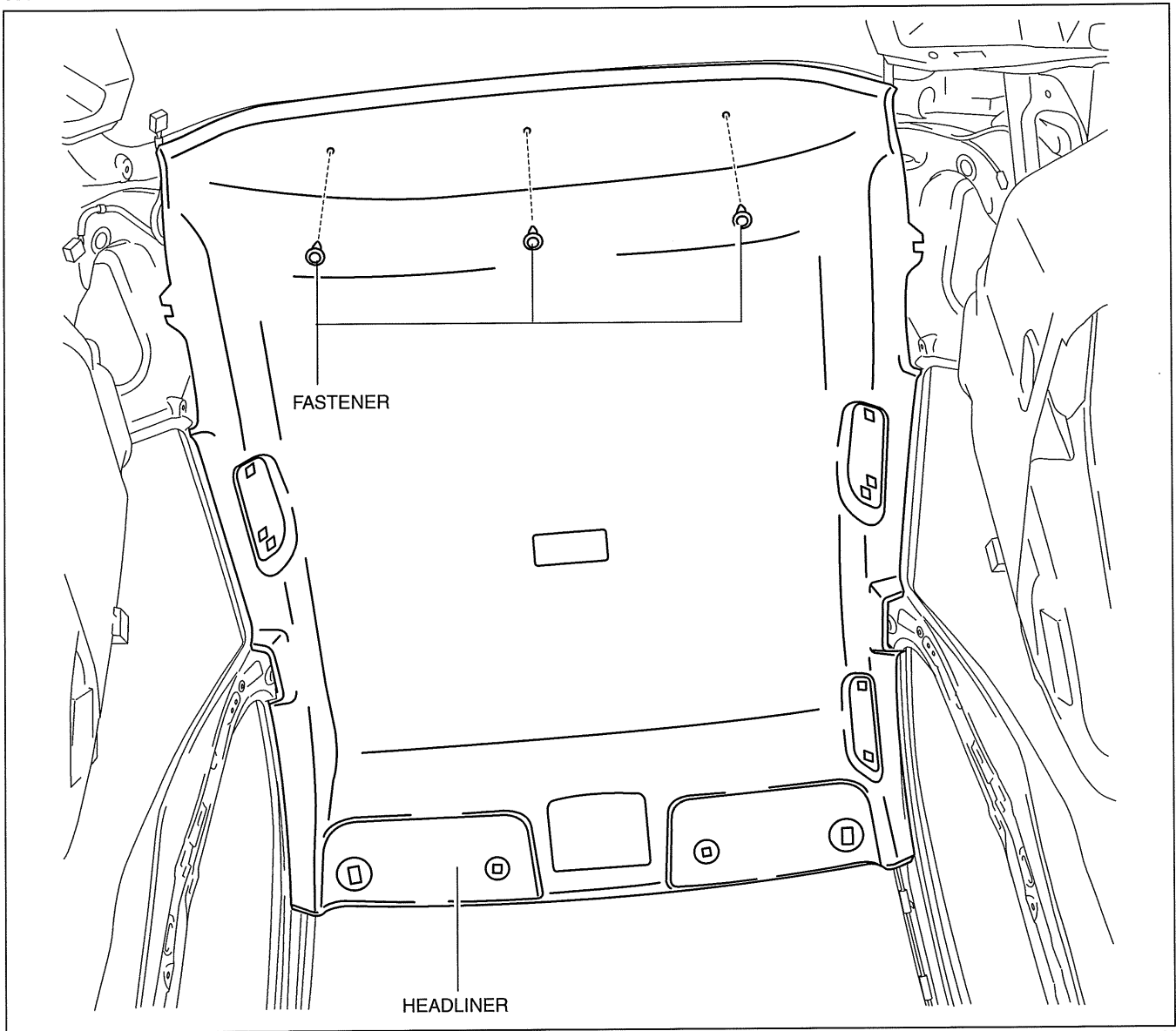
4SD



am3uuw0000528

INTERIOR TRIM

5HB

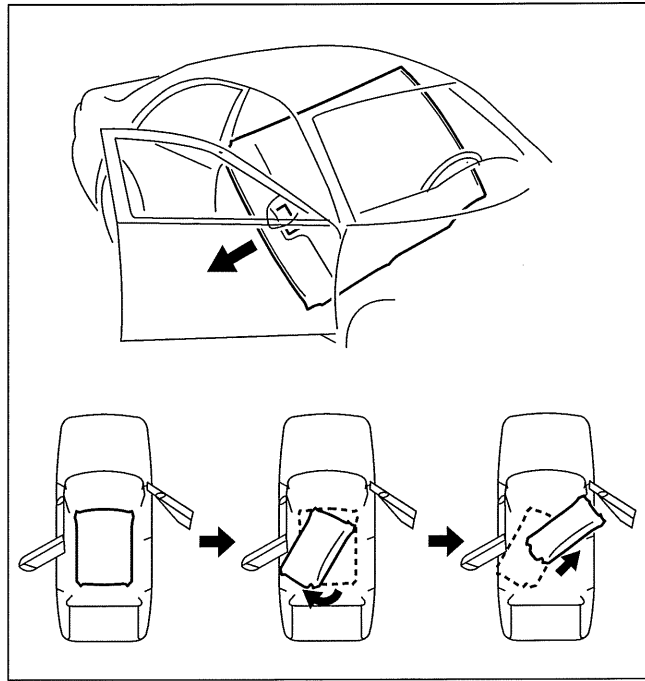


09-17

am3uuw0000528

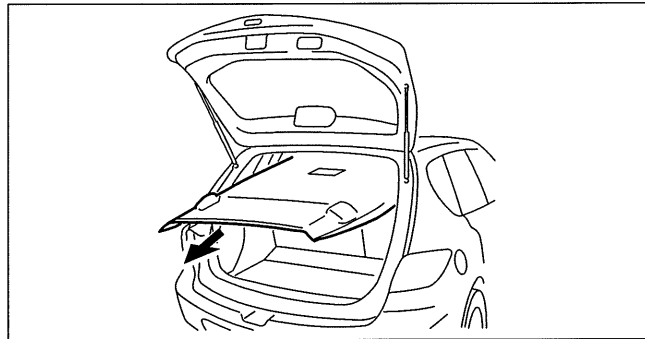
INTERIOR TRIM

10. Take the headliner out from the opened front passenger-side door. (4SD)



e3u917zw7101

11. Take the headliner out from the opened liftgate. (5HB)
12. Install in the reverse order of removal.



id091700803000

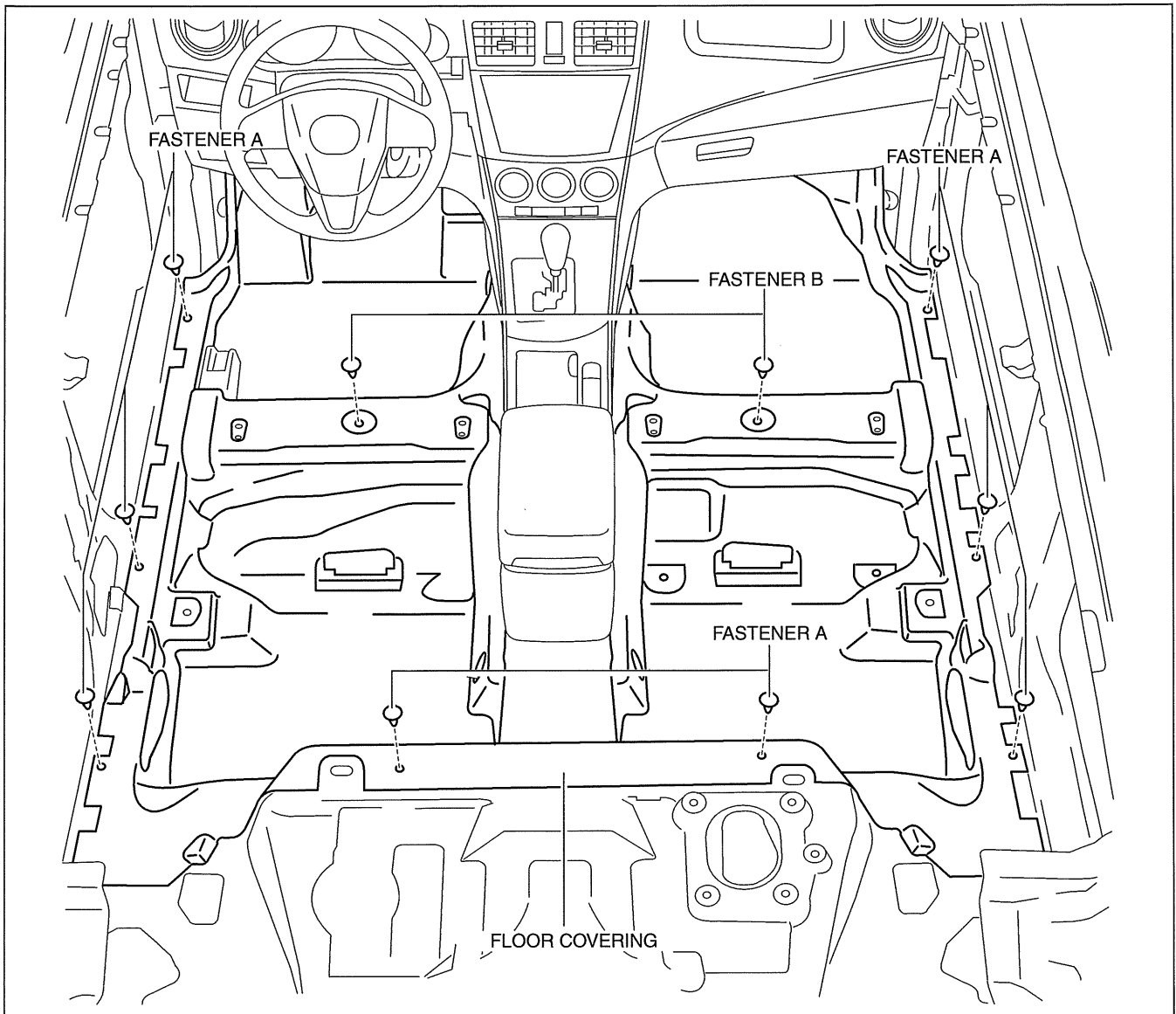
FLOOR COVERING REMOVAL/INSTALLATION

id091700803000

1. Disconnect the negative battery cable.
2. Remove the following parts:
 - (1) Front seat (See 09-13-3 FRONT SEAT REMOVAL/INSTALLATION.)
 - (2) Audio amplifier (Vehicles with Bose®) (See 09-20-7 AUDIO AMPLIFIER REMOVAL/INSTALLATION.)
 - (3) Front scuff plate (See 09-17-67 FRONT SCUFF PLATE REMOVAL/INSTALLATION.)
 - (4) Joint cover (See 06-14-8 STEERING WHEEL AND COLUMN REMOVAL/INSTALLATION [WITHOUT ADVANCED KEYLESS ENTRY AND PUSH BUTTON START SYSTEM].) (See 06-14-11 STEERING WHEEL AND COLUMN REMOVAL/INSTALLATION [WITH ADVANCED KEYLESS ENTRY AND PUSH BUTTON START SYSTEM].)
 - (5) Front side trim (See 09-17-53 FRONT SIDE TRIM REMOVAL/INSTALLATION.)
 - (6) Fuel-filler lid opener lever bezel (See 09-17-70 FUEL-FILLER LID OPENER BEZEL REMOVAL/INSTALLATION.)
 - (7) Selector lever knob (ATX) (See 05-18-2 AUTOMATIC TRANSAXLE SHIFT MECHANISM REMOVAL/INSTALLATION.)
 - (8) Shift lever knob (MTX) (See 05-16-2 MANUAL TRANSAXLE SHIFT MECHANISM REMOVAL/INSTALLATION.)
 - (9) Upper panel (See 09-17-40 UPPER PANEL REMOVAL/INSTALLATION.)
 - (10) Shift panel (See 09-17-42 SHIFT PANEL REMOVAL/INSTALLATION.)
 - (11) Side wall (See 09-17-37 SIDE WALL REMOVAL/INSTALLATION.)
 - (12) Console (See 09-17-45 CONSOLE REMOVAL/INSTALLATION.)
 - (13) Rear scuff plate (See 09-17-68 REAR SCUFF PLATE REMOVAL/INSTALLATION.)
 - (14) Lower anchor of the front seat belt (See 08-11-3 FRONT SEAT BELT REMOVAL/INSTALLATION.)
 - (15) B-pillar lower trim (See 09-17-59 B-PILLAR LOWER TRIM REMOVAL/INSTALLATION.)
 - (16) Rear seat cushion (See 09-13-37 REAR SEAT CUSHION REMOVAL/INSTALLATION.)
 - (17) Tire house trim (See 09-17-54 TIRE HOUSE TRIM REMOVAL/INSTALLATION.)

INTERIOR TRIM

3. Remove fasteners A and B.



09-17

am3uuw0000556

4. Take the floor covering out from the opened door.
5. Install in the reverse order of removal.

