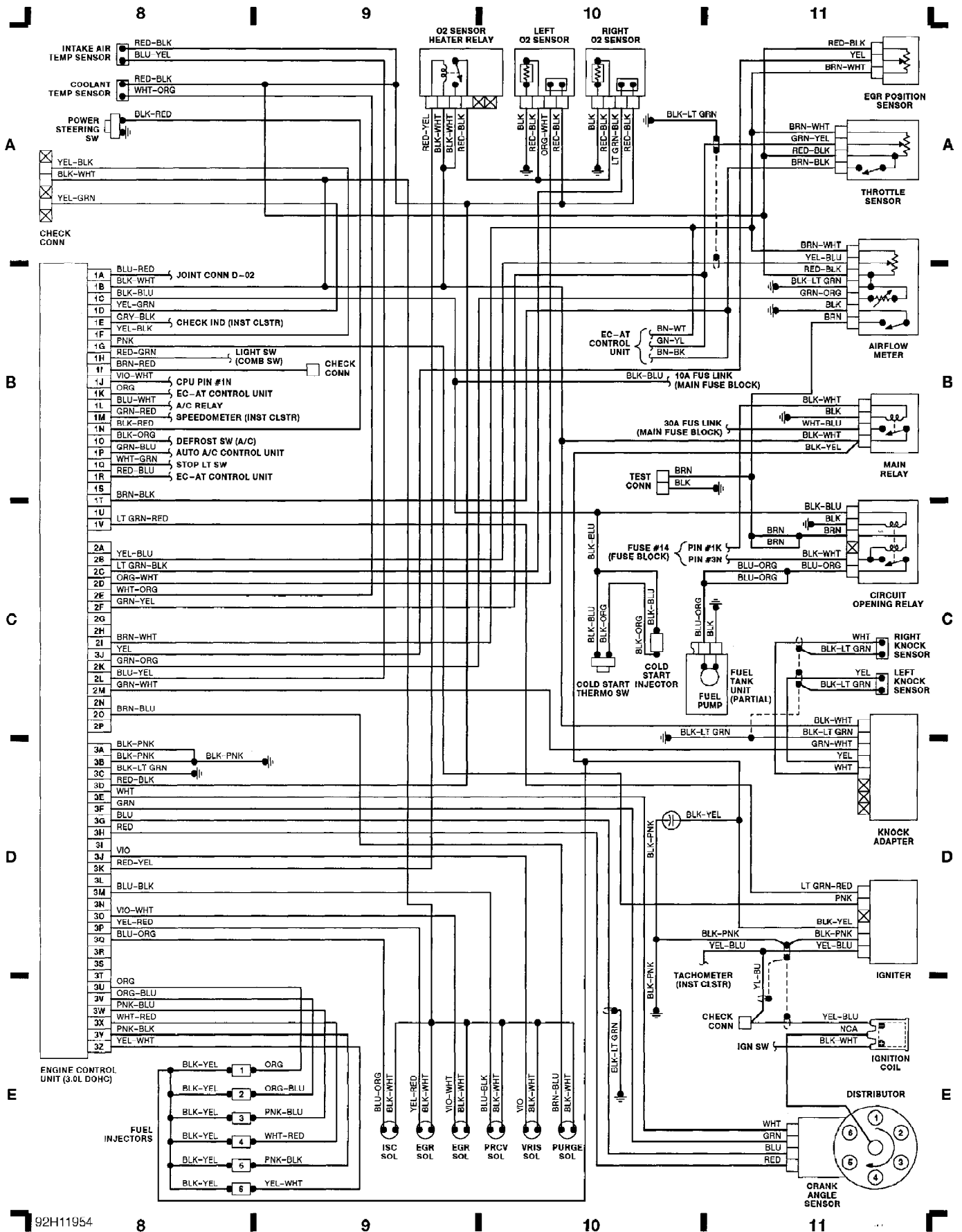


WIRING DIAGRAMS

leo

Fig. 3: Computer Engine Control (DOHC) (Grids 8-11)
1991 Mazda 929



92H11954