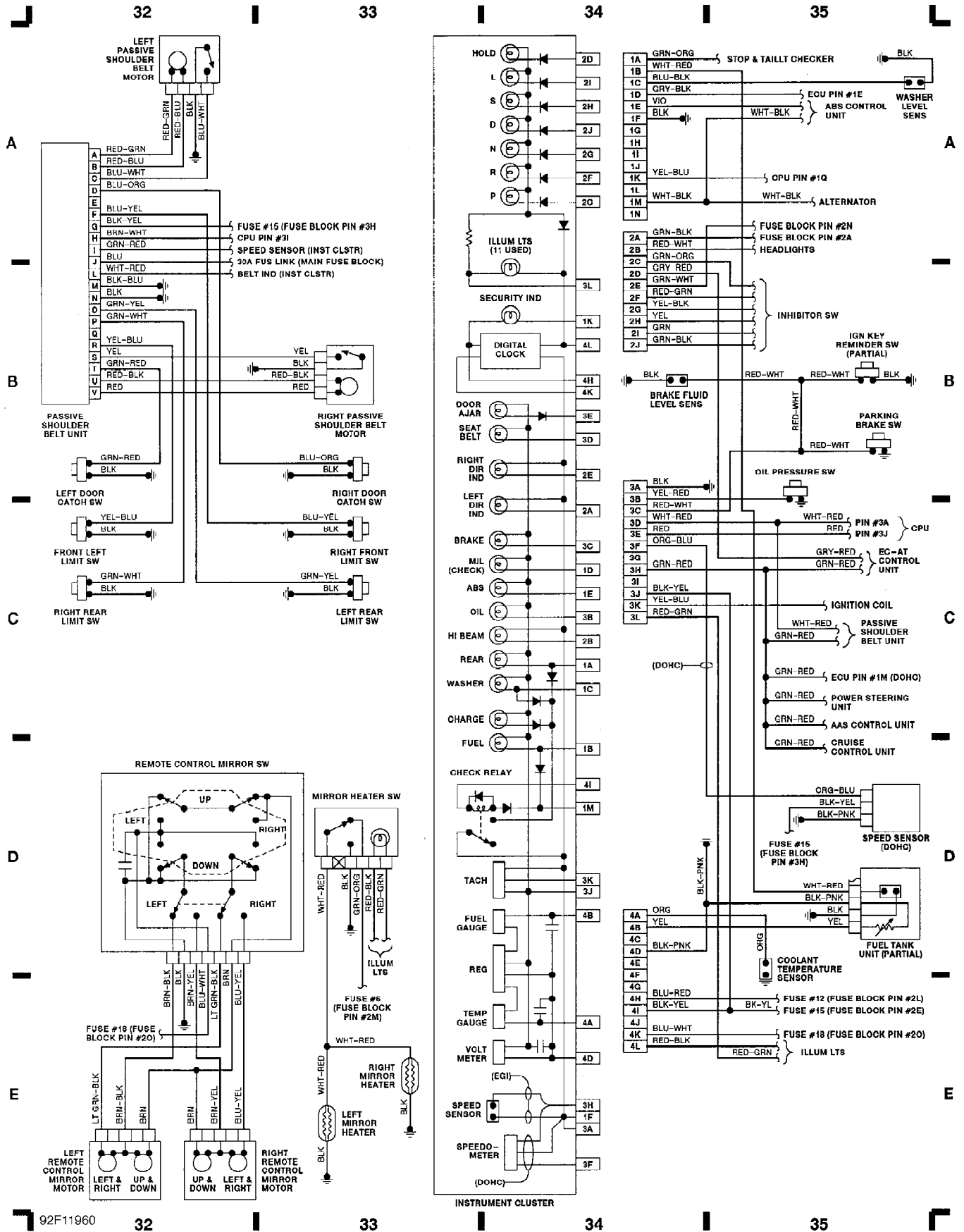


# WIRING DIAGRAMS

leo

**Fig. 9: Inst Cluster, Pass Restraint, Mirror Heat (Grids 32-35)**  
1991 Mazda 929



92F11960