

RX-4

SEDAN · HARDTOP

ROTARY WAGON

FOR U.S.A. & CANADA

RX-4 SEDAN, HARDTOP & ROTARY WAGON PARTS CATALOG

March 74
Oct. 74
May 74



© 1973 by

TOYO KOGYO CO., LTD.

ROTARY ENGINE: LICENSED BY NSU/WANKEL
SEPTEMBER, 1973

HOW TO USE THIS PARTS CATALOGUE

This Parts Catalogue is compiled for the following models

Model: RX- 4 Sedan, Hardtop & Rotary Wagon (1974 Models Manuf. From Sept. 1973)

RX- 4 Sedan, Hardtop & Wagon With Auto. Trans. (1974 Models Manuf. From Feb. 1974)

1975 Model RX-4 Sedan, Hardtop & Rotary Wagon (Manuf. From Oct., 1974)

Model No.	Model /Type	Description
I 7 5 5	LA23S	RX- 4 SEDAN, U.S.A. SPEC.
I 7 5 6	LA23S-T	MAZDA RX- 4 SEDAN WITH AUTOMATIC TRANSMISSION U.S.A. SPEC. MANUF. FROM FEB., 1974
I 7 5 7	LA23S-CA	RX- 4 HARDTOP, U.S.A. SPEC.
I 7 5 8	LA23S-CAT	MAZDA RX- 4 HARDTOP WITH AUTOMATIC TRANSMISSION U.S.A. SPEC. MANUF. FROM FEB., 1974
I 7 6 3	LA23S	RX- 4 SEDAN, CANADIAN SPEC.
I 7 6 4	LA23S-T	MAZDA RX- 4 SEDAN WITH AUTOMATIC TRANSMISSION CANADIAN SPEC. MANUF. FROM FEB., 1974
I 7 6 5	LA23S-CA	RX- 4 HARDTOP, CANADIAN SPEC.
I 7 6 6	LA23S-CAT	MAZDA RX- 4 HARDTOP WITH AUTOMATIC TRANSMISSION CANADIAN SPEC. MANUF. FROM FEB., 1974
I 7 6 7	LA23S	RX- 4 SEDAN WITH COOLER, U.S.A. SPEC.
I 7 6 8	LA23S-T	MAZDA RX- 4 SEDAN WITH AUTOMATIC TRANSMISSION & COOLER U.S.A. SPEC. MANUF. FROM FEB., 1974
I 7 6 9	LA23S-CA	RX- 4 HARDTOP WITH COOLER, U.S.A. SPEC.
I 7 7 0	LA23S-CAT	MAZDA RX- 4 HARDTOP WITH AUTOMATIC TRANSMISSION & COOLER U.S.A. SPEC. MANUF. FROM FEB., 1974
I 7 7 1	LA23S	RX- 4 SEDAN WITH COOLER, CANADIAN SPEC.
I 7 7 3	LA23S-CA	RX- 4 HARDTOP WITH COOLER, CANADIAN SPEC.
I 7 7 5	LA23W	RX- 4 ROTARY WAGON WITH COOLER, U.S.A. SPEC.
I 7 7 6	LA23W-T	MAZDA RX- 4 ROTARY WAGON WITH AUTOMATIC TRANSMISSION & COOLER, U.S.A. SPEC. MANUF. FROM FEB., 1974
I 7 7 7	LA23W	RX- 4 ROTARY WAGON WITH COOLER, CANADIAN SPEC.
I 7 9 1	LA23W	RX- 4 ROTARY WAGON, U.S.A. SPEC.
I 7 9 2	LA23W-T	MAZDA RX- 4 ROTARY WAGON WITH AUTOMATIC TRANSMISSION U.S.A. SPEC. MANUF. FROM FEB., 1974
I 7 9 5	LA23W	RX- 4 ROTARY WAGON, CANADIAN SPEC.
I 7 9 6	LA23W-T	MAZDA RX- 4 ROTARY WAGON WITH AUTOMATIC TRANSMISSION CANADIAN SPEC. MANUF. FROM FEB., 1974
3 5 2 1	LA23S	RX- 4 SEDAN WITH POWER STEERING, U.S.A. SPEC.
3 5 2 2	LA23S-T	MAZDA RX- 4 SEDAN WITH AUTOMATIC TRANSMISSION & POWER STEERING, U.S.A. SPEC. MANUF. FROM FEB., 1974
3 5 2 3	LA23S-CA	RX- 4 HARDTOP WITH POWER STEERING, U.S.A. SPEC.

Model No.	Model /Type	Description
3524	LA23S-CAT	MAZDA RX-4 HARDTOP WITH AUTOMATIC TRANSMISSION & POWER STEERING, U.S.A. SPEC. MANUF. FROM FEB., 1974
3525	LA23S	RX-4 SEDAN WITH POWER STEERING & COOLER, U.S.A. SPEC.
3526	LA23S-T	MAZDA RX-4 SEDAN WITH AUTOMATIC TRANSMISSION, POWER STEERING & COOLER, U.S.A. SPEC. MANUF. FROM FEB., 1974
3527	LA23S-CA	RX-4 HARDTOP WITH POWER STEERING & COOLER, U.S.A. SPEC.
3528	LA23S-CAT	MAZDA RX-4 HARDTOP WITH AUTOMATIC TRANSMISSION, POWER STEERING & COOLER, U.S.A. SPEC. MANUF. FROM FEB., 1974
3529	LA23S	RX-4 SEDAN WITH POWER STEERING, CANADIAN SPEC.
3530	LA23S-T	MAZDA RX-4 SEDAN WITH AUTOMATIC TRANSMISSION & POWER STEERING, CANADIAN SPEC. MANUF. FROM FEB., 1974
3531	LA23S-CA	RX-4 HARDTOP WITH POWER STEERING, CANADIAN SPEC.
3532	LAA23S-CAT	MAZDA RX-4 HARDTOP WITH AUTOMATIC TRANSMISSION & POWER STEERING, CANADIAN SPEC. MANUF. FROM FEB., 1974
3533	LA23S	RX-4 SEDAN WITH POWER STEERING & COOLER, CANADIAN SPEC.
3535	LA23S-CA	RX-4 HARDTOP WITH POWER STEERING & COOLER, CANADIAN SPEC.
3537	LA23W	RX-4 ROTARY WAGON WITH POWER STEERING, U.S.A. SPEC.
3538	LA23W-T	MAZDA RX-4 ROTARY WAGON WITH AUTOMATIC TRANSMISSION & POWER STEERING, U.S.A. SPEC. MANUF. FROM FEB., 1974
3539	LA23W	RX-4 ROTARY WAGON WITH POWER STEERING & COOLER, U.S.A. SPEC.
3540	LA23W-T	MAZDA RX-4 ROTARY WAGON WITH AUTOMATIC TRANSMISSION, POWER STEERING & COOLER, U.S.A. SPEC. MANUF. FROM FEB., 1974
3541	LA23W	RX-4 ROTARY WAGON WITH POWER STEERING, CANADIAN SPEC.
3542	LA23W-T	MAZDA RX-4 ROTARY WAGON WITH AUTOMATIC TRANSMISSION & POWER STEERING, CANADIAN SPEC. MANUF. FROM FEB., 1974
3543	LA23W	RX-4 ROTARY WAGON WITH POWER STEERING & COOLER, CANADIAN SPEC.
• 3558	LA23S	MAZDA RX-4 SEDAN U.S.A. SPEC. (MANUF. FROM OCT., 1974)
• 3559	LA23S	MAZDA RX-4 SEDAN W /AIR CON. U.S.A. SPEC. (MANUF. FROM OCT., 1974)
• 3560	LA23S	MAZDA RX-4 SEDAN W /POWER STEERING U.S.A. SPEC. (MANUF. FROM OCT., 1974)
• 3561	LA23S	MAZDA RX-4 SEDAN W /AIR CON. & POWER STEERING U.S.A. SPEC. (MANUF. FROM OCT., 1974)
• 3562	LA23S-T	MAZDA RX-4 SEDAN AUTOMATIC W /POWER STEERING U.S.A. SPEC. (MANUF. FROM OCT., 1974)
• 3563	LA23S-T	MAZDA RX-4 SEDAN AUTOMATIC W /AIR CON. & POWER STEERING, U.S.A. SPEC. (MANUF. FROM OCT., 1974)
• 3564	LA23S-CA	MAZDA RX-4 HARDTOP W /POWER STEERING U.S.A. SPEC. (MANUF. FROM OCT., 1974)
• 3565	LA23S-CA	MAZDA RX-4 HARDTOP W /AIR CON. & POWER STEERING U.S.A. SPEC. (MANUF. FROM OCT., 1974)
• 3566	LA23S-CAT	MAZDA RX-4 HARDTOP AUTOMATIC W /POWER STEERING U.S.A. SPEC. (MANUF. FROM OCT., 1974)
• 3567	LA23S-CAT	MAZDA RX-4 HARDTOP AUTOMATIC W /AIR CON. & POWER STEERING, U.S.A. SPEC. (MANUF. FROM OCT., 1974)

Model No.	Model /Type	Description
• 3568	LA23W	MAZDA RX-4 ROTARY WAGON U.S.A. SPEC. (MANUF. FROM OCT., 1974)
• 3569	LA23W	MAZDA RX-4 ROTARY WAGON W/AIR CON. U.S.A. SPEC. (MANUF. FROM OCT., 1974)
• 3570	LA23W	MAZDA RX-4 ROTARY WAGON W/POWER STEERING U.S.A. SPEC. (MANUF. FROM OCT., 1974)
• 3571	LA23W	MAZDA RX-4 ROTARY WAGON W/AIR CON. & POWER STEERING U.S.A. SPEC. (MANUF. FROM OCT., 1974)
• 3572	LA23W-T	MAZDA RX-4 ROTARY WAGON AUTOMATIC W/POWER STEERING U.S.A. SPEC. (MANUF. FROM OCT., 1974)
• 3573	LA23W-T	MAZDA RX-4 ROTARY WAGON AUTOMATIC W/AIR CON. & POWER STEERING, U.S.A. SPEC. (MANUF. FROM OCT., 1974)
• 3574	LA23S-T	MAZDA RX-4 SEDAN AUTOMATIC U.S.A. SPEC. (MANUF. FROM OCT., 1974)
• 3575	LA23S-T	MAZDA RX-4 SEDAN AUTOMATIC W/AIR CON. U.S.A. SPEC. (MANUF. FROM OCT., 1974)
• 3576	LA23S-CA	MAZDA RX-4 HARDTOP U.S.A. SPEC. (MANUF. FROM OCT., 1974)
• 3577	LA23S-CA	MAZDA RX-4 HARDTOP W/AIR CON. U.S.A. SPEC. (MANUF. FROM OCT., 1974)
• 3578	LA23S-CAT	MAZDA RX-4 HARDTOP AUTOMATIC U.S.A. SPEC. (MANUF. FROM OCT., 1974)
• 3579	LA23S-CAT	MAZDA RX-4 HARDTOP AUTOMATIC W/AIR CON. U.S.A. SPEC. (MANUF. FROM OCT., 1974)
• 3580	LA23W-T	MAZDA RX-4 ROTARY WAGON AUTOMATIC U.S.A. SPEC. (MANUF. FROM OCT., 1974)
• 3581	LA23W-T	MAZDA RX-4 ROTARY WAGON AUTOMATIC W/AIR CON. U.S.A. SPEC. (MANUF. FROM OCT., 1974)
• 3582	LA23S	MAZDA RX-4 SEDAN CANADIAN SPEC. (MANUF. FROM OCT., 1974)
• 3583	LA23S	MAZDA RX-4 SEDAN W/POWER STEERING CANADIAN SPEC. (MANUF. FROM OCT., 1974)
• 3584	LA23S-T	MAZDA RX-4 SEDAN AUTOMATIC CANADIAN SPEC. (MANUF. FROM OCT., 1974)
• 3585	LA23S-T	MAZDA RX-4 SEDAN AUTOMATIC W/POWER STEERING CANADIAN SPEC. (MANUF. FROM OCT., 1974)
• 3586	LA23S-CA	MAZDA RX-4 HARDTOP CANADIAN SPEC. (MANUF. FROM OCT., 1974)
• 3587	LA23S-CA	MAZDA RX-4 HARDTOP W/POWER STEERING CANADIAN SPEC. (MANUF. FROM OCT., 1974)
• 3588	LA23S-CAT	MAZDA RX-4 HARDTOP AUTOMATIC CANADIAN SPEC. (MANUF. FROM OCT., 1974)
• 3589	LA23S-CAT	MAZDA RX-4 HARDTOP AUTOMATIC W/POWER STEERING CANADIAN SPEC. (MANUF. FROM OCT., 1974)
• 3638	LA23W	MAZDA RX-4 ROTARY WAGON CANADIAN SPEC. (MANUF. FROM OCT., 1974)
• 3639	LA23W	MAZDA RX-4 ROTARY WAGON W/POWER STEERING CANADIAN SPEC. (MANUF. FROM OCT., 1974)
• 3640	LA23W-T	MAZDA RX-4 ROTARY WAGON AUTOMATIC CANADIAN SPEC. (MANUF. FROM OCT., 1974)
• 3641	LA23W-T	MAZDA RX-4 ROTARY WAGON AUTOMATIC W/POWER STEERING CANADIAN SPEC. (MANUF. FROM OCT., 1974)

BEIG	Beige	IVRY	Ivory
BLK	Black	L. BLU	Light Blue
BLU	Blue	L. GRN	Light Green
BLU.M	Blue Metallic	L. GRY	Light Gray
BLU / GRY	Bluish Gray	MRN	Maroon
BRN	Brown	PRPL / BLU	Purplish Blue
D. BLU	Dark Blue	PRPL / WHT	Purplish White
D. BRN	Dark Brown	RED	Red
D. GRN	Dark Green	SILV.M.....	Silver Metallic
D. GRY	Dark Gray	WHT	White
D. YLW	Dark Yellow	YLW	Yellow
GLD.M	Gold Metallic	YLW / D. GRN.....	Yellowish Dark Green
GRN	Green	YLW / GRN	Yellowish Green
GRN.M	Green Metallic	YLW / WHT.....	Yellowish White
GRY	Gray	DUL	Dull Finish
GRY / GRN	Grayish Green	S. DUL	Semi Dull Finish
GRY / YLW	Grayish Yellow		

(V) Precautions to be taken when placing orders for parts

- 1) Always specify part numbers, names of parts and quantity required.
- 2) Be sure to list the parts in order of part number, when filling in order sheet.
- 3) As processing of orders received by us is done by electronic computers, importance is attached to the part number. Therefore, in case the part number and name of part do not coincide with each other, the part will be sent to you in accordance with the part number.
- 4) Distinction of colour of spare parts by code number is done with figures number 11 and 12 of the parts number. Therefore, add to the end of the applying part number and order.

Example :	Part Number	Colour Code No.	Description
	1 0 1 1 6 0 7 2 0 A	0 0	
	← 10 Figures →	← 2 Figures →	
	1 0 1 1 6 0 7 2 0 A	0 5	
	← 10 Figures →	← 2 Figures →	

(VI) Replacement pages and purport

Page replacements are supplied once every six months as a rule, listing parts modified or newly added and month and year date will be printed in lower corner of each replacement page. Therefore, it is essential that care be taken to check on these dates to confirm if the parts listed conform to the car imported, before ordering.

- 1) Explanation on designation given in remarks column.

a. Car No. Chassis no. of car that modification becomes effective from.
 There are two different car numbers for the RX-4 Sedan & Hardtop and the RX-4 Wagon, which are not given in the remarks column of the parts catalogue.
 Therefore, when you wish to know car number of parts that have been modified, please refer to the list of chassis number given below (check chassis number that applies) and order.

- b. 7/3 73 designates year of modification and numerals
1 ~ 12 shows month of year.
 - c. ○ mark Indicates that modified part and former part are interchangeable.
 - d. × mark Indicates that modified part and old part are not interchangeable.
 - e. △ mark Indicates that new part is interchangeable with old part but that
old part is not interchangeable as a replacement for cars utilizing
the new part.
- 2) ● mark This dot at front of figure number of replacement pages show the
parts that have been subject to modification.

List of Chassis Number

Month	OCT.	NOV.	DEC.	JAN.	FEB.	MAR.	APR.	MAY	JUN.	JUL.	AUG.	SEP.
Model	$\frac{7}{10}$	$\frac{7}{11}$	$\frac{7}{12}$	$\frac{7}{1}$	$\frac{7}{2}$	$\frac{7}{3}$	$\frac{7}{4}$	$\frac{7}{5}$	$\frac{7}{6}$	$\frac{7}{7}$	$\frac{7}{8}$	$\frac{7}{9}$
RX-4 Sedan & Hardtop	100070	104143	108741	112330	115925	120992	126670	131966	135369	136402	—	—
RX-4 Wagon	100011	102872	105475	108452	111857	115574	119506	123333	125079	125520	—	—

Note: In the past, only the number of the chassis number was being indicated, but numbering method has been changed to a new method.

Example:

'74 Models

'75 Models

LA23 S-12345

SLA23 S-12121

As shown above, there is an "S" engraved before the Model Code of the 1975 model to distinguish from the 1974 model so please discern by whether the "S" mark exists or not.

Month	OCT.	NOV.	DEC.	JAN.	FEB.	MAR.	APR.	MAY	JUN.	JUL.	AUG.	SEP.
Model	$\frac{7}{10}$	$\frac{7}{11}$	$\frac{7}{12}$	$\frac{7}{1}$	$\frac{7}{2}$	$\frac{7}{3}$	$\frac{7}{4}$	$\frac{7}{5}$	$\frac{7}{6}$	$\frac{7}{7}$	$\frac{7}{8}$	$\frac{7}{9}$
RX-4 Sedan & Hardtop	SLA23S-127229	SLA23S-140001										
RX-4 Wagon	SLA23W-115564	SLA23W-130001										

(VII) Colour Code Nos.

- 1) Whenever there is a part with only one colour, and there is an increase to two or more colours, colour codes will be established only for the colours added. Therefore, there will be parts with and without colour codes. (However, the colour will be described in the "Description" Column).
Therefore, care must be taken to attach the colour code after the part number if it is a colour code established afterwards, otherwise the part supplied will be the coloured part without the colour code.

Example:

- 1 0 0 3 6 4 6 1 0 Tray (Black) Part without colour code
- 1 0 0 3 6 4 6 1 0 - 0 5 Tray (Brown) Part with colour code

2) Location of © mark

As a precaution against dropping of the "Colour code No.", the "©" mark is located right after the part number.
Always attach the colour code when there is this "©" mark, moreover, be careful not to confuse it with the suffixes for part modifications.

Example:

Formerly..... 1 0 1 1 . 5 7 1 0 0 Seat (R) ©

Newly 1 0 1 1 . 5 7 1 0 0 © Seat (R)

Group No.	Description	Part No.
10	Rotor Housing	10-2-8
10-11	Rotor	10-13
13	W. Manifold & Header (Used up to '74)	13-18
13	W. Manifold & Thermal Reactor (Used From '74)	13-18-3
13-23	Carburettor	13-18-2
13	Air Cleaner	20
13	Starting Assist System	21
13	Emission Control System	23
14	Oil Pump	27
14-15	Cooling System	33
15	Compressor Bracket & Pulley	39
16	Clutch (Manual)	43
17	Manual T/mision (Case)	46
17	Manual T/mision (Gear Control)	50
17	Manual T/mision (Gear Control)	54
18-24	Distributor	58
18-24	Alternator	62
18-24	Starter & Battery	65
19	Automatic T/mision (Converter, Oil Pump & Piping)	68-A
19	Automatic T/mision (Gear & Main Control)	68-E
19	Automatic T/mision (Clutch & Planetary Gear)	68-J
19	Automatic T/mision (Low Reverse & Governor)	68-P
19	Automatic T/mision (Manual Linkage)	68-T
25	Propeller Shaft	70-71

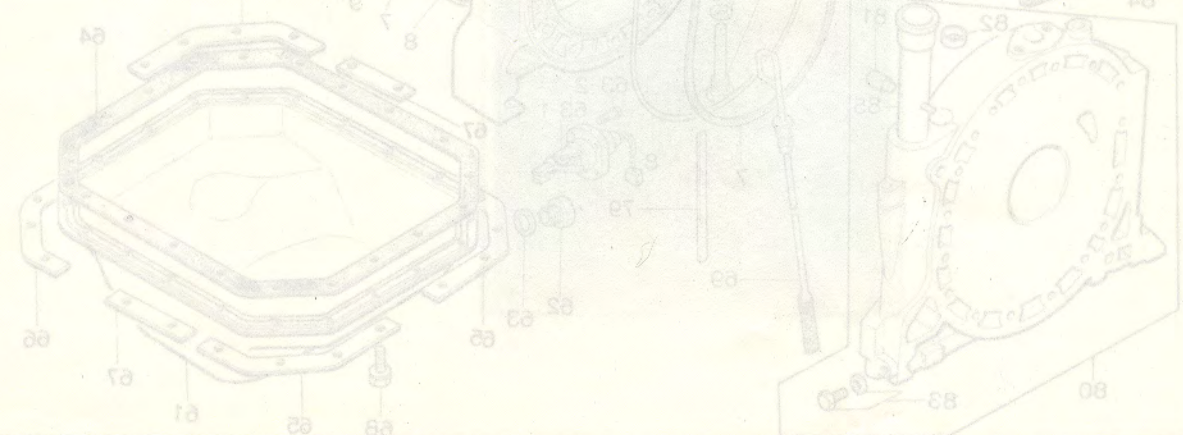
INDEX.

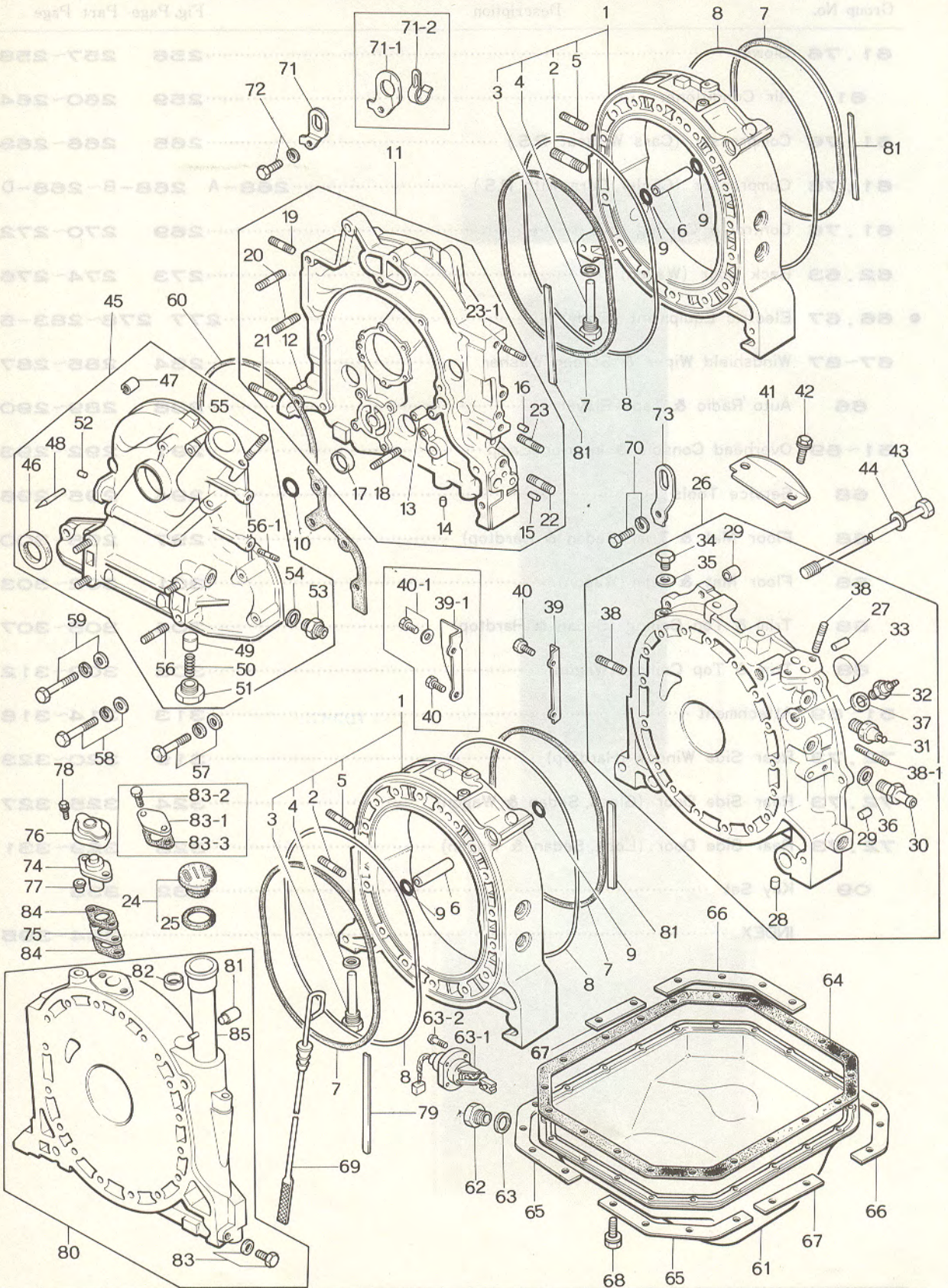
Group No.	Description	Fig. Page	Part No.
Engine Parts			
10	Rotor Housing	1	2~8
10, 11	Rotor	9	10~13
● 13	IN. Manifold & Thermal Reactor (Used up to $\frac{7}{9}$)	14	15~16
● 13	IN. Manifold & Thermal Reactor (Used From $\frac{7}{10}$)	16-1	16-2~16-3
13, 23	Carburettor	17	18~18-2
13	Air Cleaner	19	20
13	Starting Assist System	21	22
13	Emission Control System	23	24~26
14	Oil Pump	27	28~32
14, 15	Cooling System	33	34~38
15	Compressor Bracket & Idle Pulley	39	40~42
16	Clutch (Manual)	43	44~45
17	Manual T/mission (Case)	46	47~49
17	Manual T/mission (Gear)	50	51~53
17	Manual T/mission (Gear Controls)	54	55~57
18, 24	Distributor	58	59~61
18, 24	Alternator	62	63~64
18, 24	Starter & Battery	65	66~68
19	Automatic T/mission (Converter, Oil Pump & Piping)	68-A	68-B~68-D
19	Automatic T/mission (Case & Main Control)	68-E	68-F~68-I
19	Automatic T/mission (Clutch & Planetary Gear)	68-J	68-K~68-O
19	Automatic T/mission (Low, Reverse & Governor)	68-P	68-Q~68-S
19	Automatic T/mission (Manual Linkage)	68-T	68-U
Chassis Parts			
25	Propeller Shaft	69	70~71

INDEX.

Group No.	Description	Fig. Page	Part No.
● 50	Bumper & Grille (Sedan & Wagon) (Used up to $\frac{3}{10}$)	151	152~155-3
● 50	Bumper & Grille (Sedan & Wagon Used From $\frac{3}{10}$) (Hardtop Used From $\frac{3}{10}$)	155-A	155-B~155-G
51~89	Lamps (Front Side)	156	157~159
51 .89	Lamps (Rear Side, Sedan & Hardtop)	160	161~164
51 .89	Lamps (Rear Side, Wagon)	165	166~167
63 .99	Window Glass & Moulding (Hardtop)	168	169~170
63 .99	Window Glass & Moulding (Sedan)	171	172~174
63 .99	Window Glass & Moulding (Wagon)	175	176~178
52 .56	Bonnet & Trunk Lid	179	180~182
52~70	Body Panels (Front)	183	184~185
70 .71	Body Panels (Side & Rear, Hardtop)	186	187~188
70 .71	Body Panels (Side & Rear, Sedan)	189	190~191
70 .71	Body Panels (Side & Rear, Wagon)	192	193~194
53~56	Body Panels (Floor, Sedan & Hardtop)	195	196~197
53~56	Body Panels (Floor, Wagon)	198	199~201
55~64	Dashboard	202	203~209
55	Meter (Hardtop)	210	211
60 .64	Crush Pad & Glove Pocket	212	213~216
● 64	Ventilator (Used up to $\frac{3}{10}$)	217	218
● 64	Ventilator (Used From $\frac{3}{10}$)	218-A	218-B
57	Seat (Hardtop)	219	220~223
57	Seat (Sedan)	224	225~228
57	Seat (Wagon)	229	230~235
58 .59	Front Side Door (Glass, Hardtop)	236	237~239
58 .59	Front Side Door (Glass, Sedan & Wagon)	240	241~243
58 .59	Front Side Door (Lock)	244	245~248
61	Car Heater	249	250~251
61 .76	Heater Unit & Control	252	253~255

Group No.	Description	Fig. Page	Part Page
61 .76	Blower	256	257~258
61	Air Conditioner	259	260~264
61 .76	Compressor (Cars Without P.S.)	265	266~268
61 .76	Compressor (Cooler, Cars With P.S.)	268-A	268-B~268-D
61 .76	Control & Cooling Unit	269	270~272
62 .63	Back Door (Wagon)	273	274~276
● 66 .67	Electric Equipment (Body)	277	278~283-5
67~87	Windshield Wiper & Screen Washer	284	285~287
66	Auto Radio & Tape Player	288	289~290
51~69	Overhead Console & Interior Lamp	291	292~293
68	Service Tools	294	295~296
68	Floor Mat & Trim (Sedan & Hardtop)	297	298~300
68	Floor Mat & Trim (Wagon)	301	302~303
68	Trim & Top Ceiling (Sedan & Hardtop)	304	305~307
68	Trim & Top Ceiling (Wagon)	308	309~312
51~69	Attachment	313	314~318
72 .73	Rear Side Window (Hardtop)	319	320~323
72 .73	Rear Side Door (Glass, Sedan & Wagon)	324	325~327
72 .73	Rear Side Door (Lock, Sedan & Wagon)	328	329~331
09	Key Set	332	333
	INDEX		334~395





ROTOR HOUSING

10

No.	Part Number	Description	Q'ty	Remarks
1	1757 10 100A	Housing, Rotor	2	
●	3565 10 100C	Housing, Rotor	2	$\frac{7}{10} \sim \times$
2	0839 10 105	Stud	4	
3	1757 10 120	Nozzle, Air	4	
4	99564 1200	Gasket	4	
	99564 1400	Gasket	4	From Car No. 1
5	99851 0822A	Stud	2	
6	1757 10 111	Dowel, Tubular	4	
7	1757 10 171A	Ring, Square	4	
8	0813 10 172	Ring, "O" - Outer	4	
●	1757 10 172	Ring, "O" - Outer	4	$\frac{7}{8} \sim \bigcirc$
9	0813 13 173	Ring, "O" - Tubular Dowel	8	
10	0813 10 174	Ring, "O" - Front Cover	1	
11	1757 10 200B	Housing, Front	1	
	1757 10 200C	Housing, Front	1	From Car No. 1
●	3523 10 200	Housing, Front (With P.S.)	1	$\frac{7}{8} \sim \bigcirc$
12	0839 10 203	Pin, Dowel	1	
13	2329 10 204	Dowel, Tubular	2	
14	0839 10 205	Plug, Blind	3	
15	1757 10 206	Plug, Blind	1	
	1757 10 206A	Plug, Blind	1	$\frac{7}{11} \sim \bigcirc$
16	1757 10 207	Plug, Blind	1	
17	99306 3000	Plug, Blind - Water	3	
18	99852 0660	Stud	2	

No.	Part Number	Description	Q'ty	Remarks
19	99852 0822 A	Stud, IN. Manifold	2	
20	99852 0880 A	Stud, Water Pump	4	
	1757 10 208	Stud, Water Pump	4	From Car No. 1
21	99952 1016	Stud	1	
22	99859 1220 A	Stud, Mounting	1	
23	99859 1225 A	Stud	1	
● 23-1	99859 1025 A	Stud (With P.S.)	1	$\frac{7}{8}$ ~ Added Anew
24	0324 10 250	Cap, Oil Filler	1	
25	0324 10 252	Gasket	1	
26	1757 10 300 A	Housing, Rear	1	
●	1755 10 300	Housing, Rear	1	$\frac{7}{10}$ ~ X
●	3565 10 300	Housing, Rear	1	$\frac{7}{11}$ ~ X
27	0820 10 203	Pin, Knock - Gear	1	
28	0839 10 205	Plug, Blind	1	
29	1757 10 309	Pin, Tubular	2	
30	0866 10 320 A	Jint, Hose	1	
● 31	0866 18 501 A	Switch, Oil Pressure	1	$\frac{7}{11}$ ~ Discarded (Canada)
32	1757 18 510	Gauge Unit, Heat	1	
	1757 18 510 A	Gauge Unit, Heat	1	$\frac{7}{3}$ ~ Δ
33	99306 3000	Plug, Blind-Water	5	
● 34	99511 1200	Plug	1	$\frac{7}{4}$ ~ Discarded
● 35	99562 1200	Gasket, Plug	1	
36	99562 1600	Gasket, Hose Joint	1	

ROTOR HOUSING

10

No.	Part Number	Description	Q'ty	Remarks
37	99564 0800	Gasket, Heat Gauge Unit	1	
38	99852 0822A	Stud, IN. Manifold & Oil Filter	4	
● 38-1	99503 1000	Plug (Canada)	1	$\frac{7}{16}$ " ~ Added Anew
● 39	1757 10 305	Cover, Dust (Manual)	1	
● 39-1	1029 10 305	Cover, Dust (Automatic)	1	$\frac{7}{8}$ " ~ Added Anew
● 40	99796 0610	Bolt, Dust Cover (Automatic)	1	$\frac{7}{8}$ " ~ Added Anew
		(Manual)	2	
● 40-1	99811 1010	Bolt, Dust Cover (Automatic)	1	$\frac{7}{8}$ " ~ Added Anew
●	99971 1000	Washer, Spring	1	
● 41	1757 10 351	Cover, Dust (Manual)	1	
● 42	99796 0816	Bolt, Dust Cover (Manual)	2	
43	1757 10 451	Bolt, Tension	18	
	1757 10 452	Bolt, Tension	1	
44	0839 10 455	Washer, Seal	19	
45	1757 10 600B	Cover, Front	1	
●	3523 10 600	Cover, Front (With P.S.)	1	$\frac{7}{8}$ " ~ ○
46	0820 10 605	Oil Seal	1	
47	1757 10 609	Pin, Spring	1	
48	0820 10 631B	Pin, Top Indicator	1	
49	0839 14 115	Plunger, Press	1	
50	0839 14 273A	Spring, Press Plunger	1	
51	0839 14 274	Plug, Press Plunger	1	
52	99307 0600	Plug, Blind	2	
53	99384 1200F	Joint, Union	1	
●	99384 1200	Joint, Union	1	$\frac{7}{16}$ " ~ ○

No.	Part Number	Description	Q'ty	Remarks
54	99562 1600	Gasket, Union Joint	1	
55	99851 0612A	Stud	1	
56	99855 1020	Stud	4	
● 56-1	99859 1035A	Stud (With P.S.)	2	$\frac{7}{8}$ ~ Added Anew
57	99801 0840	Bolt, Front Cover	3	
	99952 0800	Washer, Plain	3	
	99971 0800	Washer, Spring	3	
58	99801 0865	Bolt, Front Cover	2	
	99952 0800	Washer, Plain	2	
	99971 0800	Washer, Spring	2	
59	99801 0875	Bolt, Front Cover	1	
●	99952 0800	Washer, Plain	1 (For U.S.A.) 2 (For Canada)	$\frac{7}{10}$ ~ Q'ty
	99971 0800	Washer, Spring	1	
60	1757 10 641	Gasket, Front Cover	1	
61	1757 10 700A	Pan, Oil	1	
	1757 10 700B	Pan, Oil	1	From Car No. 1
●	3565 10 700A	Pan, Oil	1	$\frac{7}{10}$ ~ X
62	99511 1400	Plug, Drain	1	
63	99562 1400	Gasket	1	
● 63-1	3565 10 730A	Senser, Oil Level	1	$\frac{7}{10}$ ~ Added Anew
● 63-2	99830 0610	Screw, Oil Level Senser	3	$\frac{7}{10}$ ~ Added Anew
64	1757 10 711	Gasket, Oil Pan	1	

ROTOR HOUSING

10

No.	Part Number	Description	Q'ty	Remarks
65	0839 10 721	Plate, Seat	2	
66	1757 10 722	Plate, Seat	2	
67	1757 10 723	Plate, Seat	2	
68	99806 0616	Bolt, Oil Pan	22	
	99971 0600	Washer, Spring	22	
69	0839 10 830	Gauge, Oil Level	1	
	0866 10 830	Gauge, Oil Level	1	From Car No. 1
70	1757 10 845	Bolt, Rear Housing+Engine Hanger	1	
	99971 1000	Washer, Spring	1	
71	1757 10 861	Hanger, Engine	1	
●	71-1 3565 10 860A	Hanger, Engine	1	$\frac{7}{10} \sim \triangle$
●	71-2 3565 10 865A	Clip	1	$\frac{7}{10} \sim$ Added Anew
72	99801 0818	Bolt, Engine Hanger	1	
	99801 0816	Bolt, Engine Hanger	1	$\frac{7}{10} \sim \triangle$
●	99801 0820	Bolt, Engine Hanger	1	$\frac{7}{16} \sim \circ$
●	99801 0818	Bolt, Engine Hanger	1	$\frac{7}{10} \sim \times$
	99971 0800	Washer, Spring	1	
73	1757 10 862	Hanger, Engine	1	
●	74 1663 18 920	Senser, Thermo	1	
●	75 2329 18 922	Insulator, Thermo Senser	1	
●	76 2329 18 923	Cover, Thermo Senser	1	
●	77 2329 18 924	Washer, Insulator	2	$\frac{7}{10} \sim$ Discarded
●	78 99801 0825	Bolt, Thermo Senser	2	
	99952 0800	Washer, Plain	2	
	99971 0800	Washer, Spring	2	
79	0866 23 025	Protector, "O" Ring	4	

No.	Part Number	Description	Q'ty	Remarks
80	1757 23 080	Housing, Intermediate	1	
	1757 23 070	Housing, Intermediate	1	$\frac{7}{8}$ " ~ ○
●	1708 23 070	Housing, Intermediate	1	$\frac{7}{10}$ " ~ X
81	2329 10 417	Joint, Pipe	1	
82	99305 2800	Plug, Expansion	1	
83	99510 1000	Plug	1	
	99564 1000	Gasket	1	
●	83-1 1755 10 402	Plate, Blind	1	
●	83-2 99796 0816	Bolt, Blind Plate	2	$\frac{7}{10}$ " ~ Added Anew
●	83-3 2329 18 921	Gasket	1	
84	2329 18 921	Gasket	2	$\frac{7}{8}$ " ~ Added Anew ● $\frac{7}{10}$ " ~ Discarded
85	1011 10 410	Pipe, Filler	1	$\frac{7}{8}$ " ~ Added Anew
●	3565 10 410A	Pipe, Filler	1	$\frac{7}{11}$ " ~ X
	1757 23 200	Short Engine (Manual)	1	
●	3565 23 200	Short Engine (Manual)	1	$\frac{7}{10}$ " ~ X
	1758 23 200	Short Engine (Automatic)	1	
●	3567 23 200	Short Engine (Automatic)	1	$\frac{7}{10}$ " ~ X
	1758 99 100	Engine Gasket Set	1	
	1758 99 100A	Engine Gasket Set	1	
	1758 99 100B	Engine Gasket Set	1	
●	3565 99 100	Engine Gasket Set	1	$\frac{7}{10}$ " ~ X
	1757 23 040	Ring Set	1	
	1757 10 171A	Ring, "O" - Inner	4	
	0813 10 172	Ring, "O" - Outer	4	
●	1757 10 172	Ring, "O" - Outer	4	$\frac{7}{8}$ " ~ ○
	0813 10 173	Ring, "O"	4	
	0813 10 174	Ring, "O"	1	
	0813 10 455	Ring, "O"	19	
●	0839 10 455	Ring, "O"	19	From Car No. 1
	0813 10 555	Ring, "O"	1	
	99541 01601	Ring, "O"	2	
	99541 0240	Ring, "O"	2	

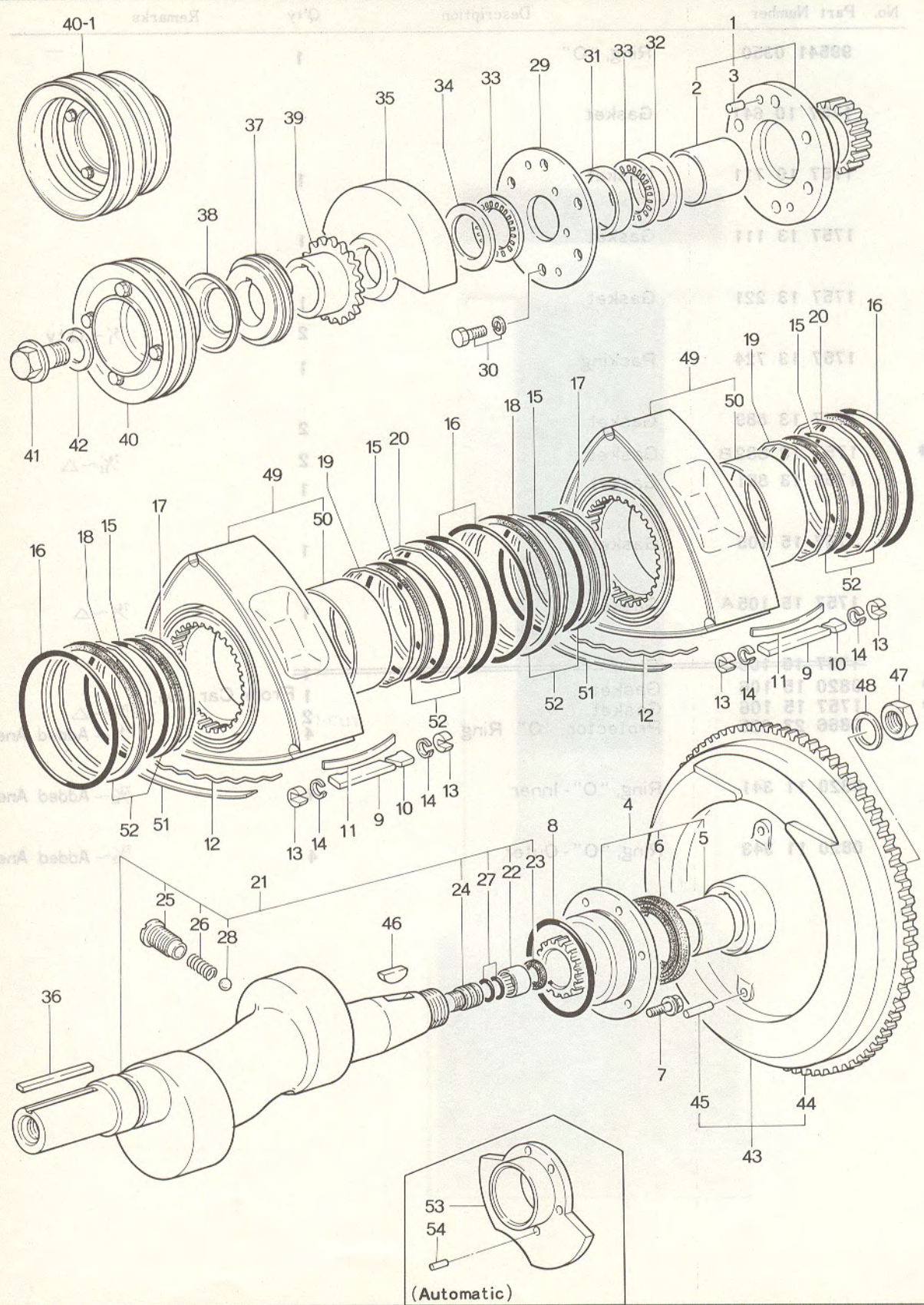
Included in
1757 23 040

ROTOR HOUSING

10

No.	Part Number	Description	Q'ty	Remarks
	99541 0350	Ring, "O"	1	—
	1757 10 641	Gasket	1	
	1757 10 711	Gasket	1	
	1757 13 111	Gasket	1	
	1757 13 221	Gasket	1	
	1757 13 724	Packing	1	$\frac{7}{11}$ ~ Q'ty
	1757 13 889	Gasket	2	
	1757 13 889B	Gasket	2	$\frac{7}{11}$ ~ Δ
	1757 13 891	Gasket	1	
	1757 15 105	Gasket	1	
	1757 15 105 A	Gasket	1	$\frac{7}{11}$ ~ Δ
	1757 15 106	Shim	1	
	0820 15 106	Gasket	1	From Car No. 1
	1757 15 106	Gasket	2	$\frac{7}{11}$ ~ Δ
	0866 23 025	Protector, "O" Ring	4	$\frac{7}{11}$ ~ Added Anew
	0820 11 341	Ring, "O" - Inner	4	$\frac{7}{12}$ ~ Added Anew
	0820 11 343	Ring, "O" - Outer	4	$\frac{7}{12}$ ~ Added Anew

ROTOR



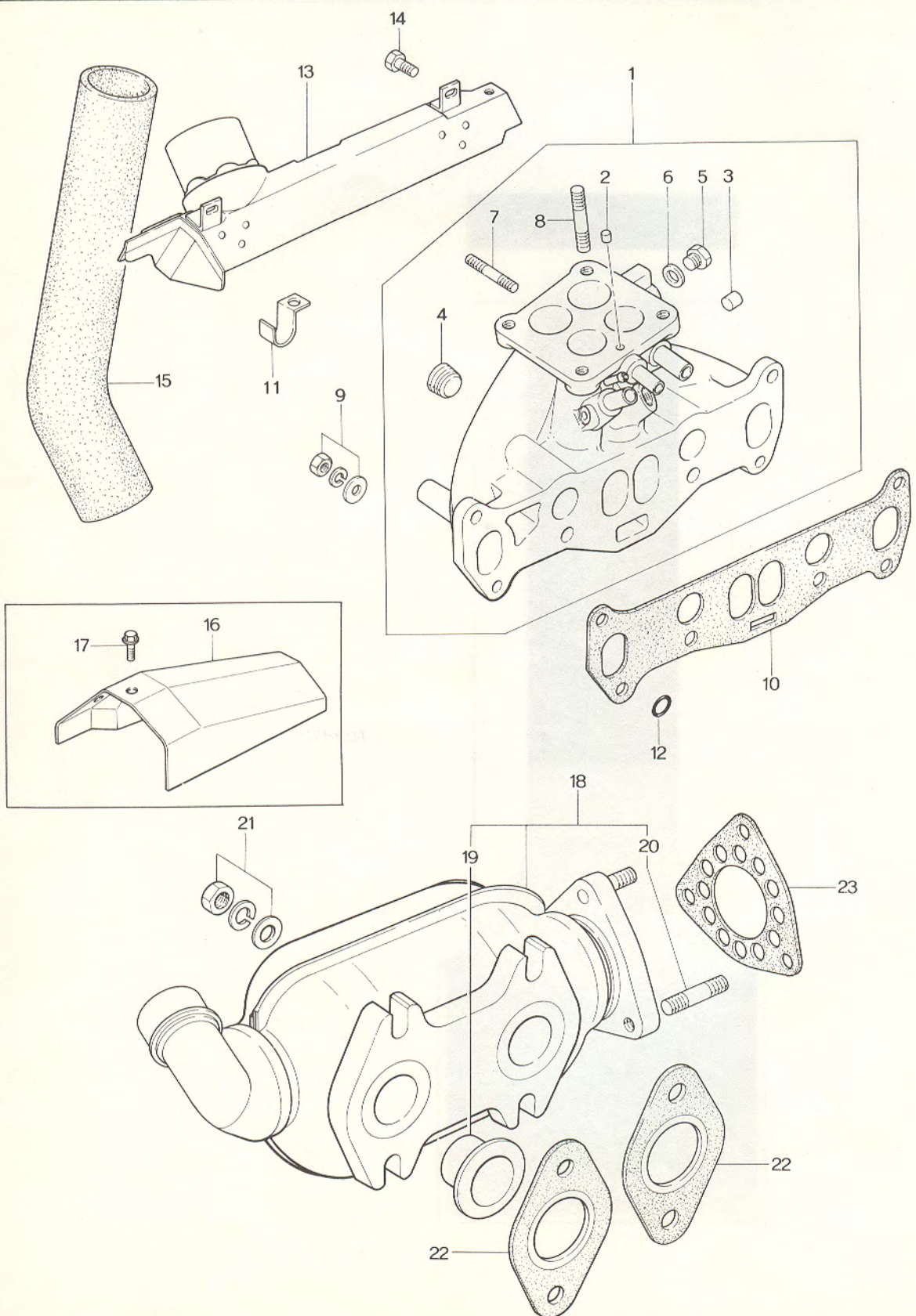
(Automatic)

No.	Part Number	Description	Q'ty	Remarks
1	1757 10 500	Gear (Fr.), Stationary	1	
2	0820 10 502B	Bearing, Main	1	
3	0839 10 504	Pin, Knock	1	
4	1757 10 550	Gear (Rr.), Stationary	1	
5	0820 10 502B	Bearing, Main	1	
6	1668 10 556	Oil Seal	1	
7	99801 0818	Bolt, Stationary Gear	6	
	99971 0800	Washer, Spring	6	
8	0813 10 555	Ring, "O" - Stationary Gear	1	
9	1757 11 301	Seal, Apex	6	
	1757 11 301B	Seal, Apex	6	From Car No. 1
●	1029 11 301	Seal, Apex	6	
10	1011 11 302C	Piece, Side	6	$\frac{7}{10} \times$
11	1757 11 304	Spring, Apex Seal	6	
12	0820 11 317	Spring, Side Seal	12	
13	1011 11 321	Seal, Corner (Std.)	12	
	1011 23 176	Seal, Corner (O.S. 0.03)	12	
14	0839 11 323A	Spring, Corner Seal	12	
15	0820 11 341	Ring, "O" - Inner	4	
16	0820 11 343	Ring, "O" - Outer	4	

ROTOR

No.	Part Number	Description	Q'ty	Remarks
17	1011 11 351	Spring, Oil Seal Inner (Fr.)	2	
18	1011 11 353	Spring, Oil Seal Outer (Fr.)	2	
19	1011 11 361	Spring, Oil Seal Inner (Rr.)	2	
20	1011 11 363	Spring, Oil Seal Outer (Rr.)	2	
21	1757 11 400	Shaft, Eccentric (Manual)	1	
	1758 11 400	Shaft, Eccentric (Automatic)	1	
22	1881 11 403	Bearing, Needle	1	} (Manual)
23	1881 11 404	Oil Seal	1	
24	0813 11 405	Plug, Blind	1	
25	0839 11 411A	Plug, Oil Jet	2	
26	0839 11 412	Spring	2	
27	99541 01101	Ring, "O"	2	
28	99611 2000	Ball, Steel	2	
29	1011 11 501	Plate	1	
30	99801 0822	Bolt, Plate & Stationary Gear	6	
	99971 0800	Washer, Spring	6	
31	0839 11 502	Spacer (L=8.02)	1	} Selective use
	0839 11 506	Spacer (L=8.08)	1	
	0839 11 508	Spacer (L=8.04)	1	

No.	Part Number	Description	Q'ty	Remarks
	0839 11 509	Spacer (L=8.00)		
32	1011 11 504	Plate, Thrust	1	
33	0813 11 505B	Bearing, Needle	2	
34	1011 11 507	Washer, Thrust	1	
35	1757 11 511	Weight, Balance	1	
36	1757 11 512	Key	1	
37	0839 11 531	Gear, Drive-Distributor	1	
38	1757 11 541	Plate, Oil Baffle	1	From Car No. 1 ~ Discarded
39	1757 11 551	Gear, Drive-Oil Pump	1	
40	1757 11 600A	Pulley	1	
	1757 11 600B	Pulley	1	From Car No. 1
	1757 11 600C	Pulley	1	$\frac{7}{10} \sim \times$
	1757 11 600D	Pulley	1	$\frac{7}{11} \sim \bigcirc$
	1757 11 600E	Pulley	1	$\frac{7}{3} \sim \triangle$
	1881 11 600	Pulley (With Cooler, W/O P.S.)	1	$\frac{7}{3} \sim \triangle$
● 40-1	3565 11 600	Pulley	1	$\frac{7}{10} \sim \times$
●	3625 11 600	Pulley (With Cooler, W/O P.S.) (U.S.A.)	1	$\frac{7}{10} \sim \times$
●	3587 11 600	Pulley (Canada)	1	$\frac{7}{10} \sim \times$
	41 0820 11 611B	Bolt, Pulley	1	$\frac{7}{11} \sim \times$
42	99564 2800	Gasket, Bolt	1	
43	1757 11 700	Wheel, Fly	1	
44	0866 11 702	Gear, Ring	1	} (Manual)
45	0820 11 703	Pin	1	
	99222 0610	Pin	1	From Car No. 1
46	0820 11 705	Key, Fly Wheel	1	
47	0810 11 711	Nut, Lock	1	
48	0820 11 712	Washer, Lock	1	



IN. MANIFOLD & THERMAL REACTOR

(USED UP TO

7/9)

13

No.	Part Number	Description	Q'ty	Remarks
1	1757 13 100A	Manifold, IN.	1	
2	99307 0600	Plug, Blind	2	
3	99307 1200	Plug, Blind	1	
4	99503 3000	Plug	3	
5	99511 1000	Plug	1	
6	99564 1000	Gasket	1	
7	99851 0622A	Stud	3	
8	99851 0828A	Stud	4	
9	99901 0800	Nut, IN. Manifold	6	
	99953 0800	Washer, Plain	6	
●	99952 0800	Washer, Plain	6	$\frac{73}{10} \sim \bigcirc$
	99971 0800	Washer, Spring	6	
10	1757 13 111	Gasket, IN. Manifold	1	
11	1757 13 251	Clip, Valve Wiring	2	
●	1757 13 251A	Clip, Valve Wiring	2	From Car No. 1
12	99541 0240	Ring, "O"-IN. Manifold	2	
13	1757 13 330A	Duct, Hot Air	1	
●	1757 13 330B	Duct, Hot Air	1	$\frac{74}{2} \sim \times$
14	99796 0812	Bolt, Hot Air Duct	2	
15	1097 13 341	Hose, Hot Air	1	
●	1757 13 341	Hose, Hot Air	1	$\frac{73}{11} \sim \bigcirc$
●	1757 13 341A	Hose, Hot Air	1	$\frac{73}{11} \sim \bigcirc$
16	1757 13 371	Insulator, Heat	1	
●	1757 13 371A	Insulator, Heat	1	$\frac{73}{11} \sim \bigcirc$
●	1757 13 371B	Insulator, Heat	1	$\frac{74}{2} \sim \times$
17	99796 0610	Bolt, Heat Insulator	2	
●	99786 0612	Bolt, Heat Insulator	2	$\frac{74}{2} \sim \times$

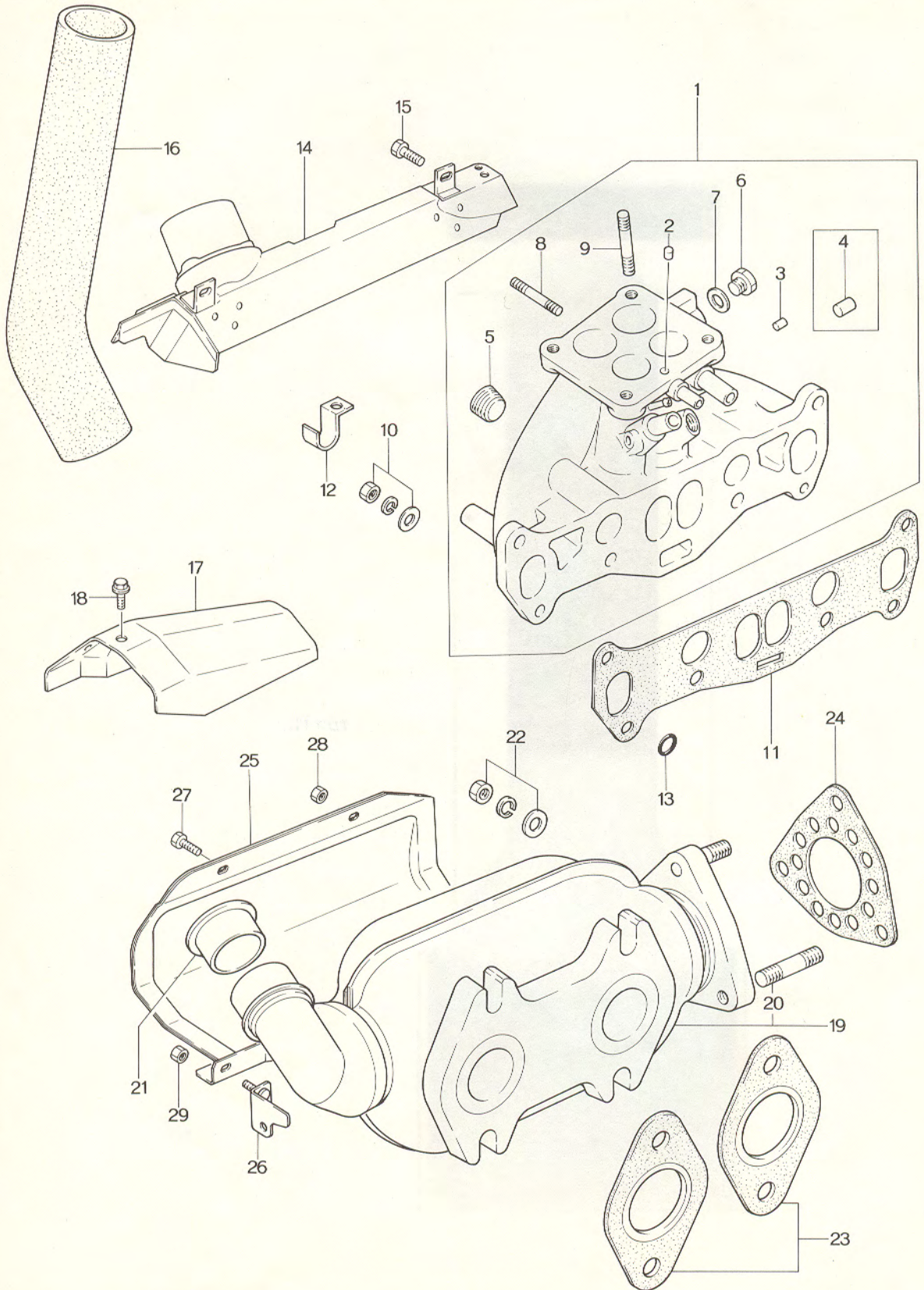
13

IN. MANIFOLD & THERMAL REACTOR

(USED UP TO

⁷⁴/₉)

No.	Part Number	Description	Qty	Remarks
	99952 0618	Washer, Plain	2	
●	99952 0600	Washer, Plain	2	$\frac{7}{8}$ ~ X
18	1757 13 800	Reactor, Thermal	1	
19	2090 13 742A	Insert	1	
20	2329 13 876	Stud	3	
21	2158 40 355	Nut, Thermal Reactor	4	
	0839 13 614	Washer, Plain	4	
	2329 13 882	Washer, Spring	4	
22	1757 13 889	Gasket, Thermal Reactor	2	
23	1757 13 891	Gasket, Thermal Reactor	1	



IN. MANIFOLD & THERMAL REACTOR

(USED FROM $\frac{7}{10}$)

13

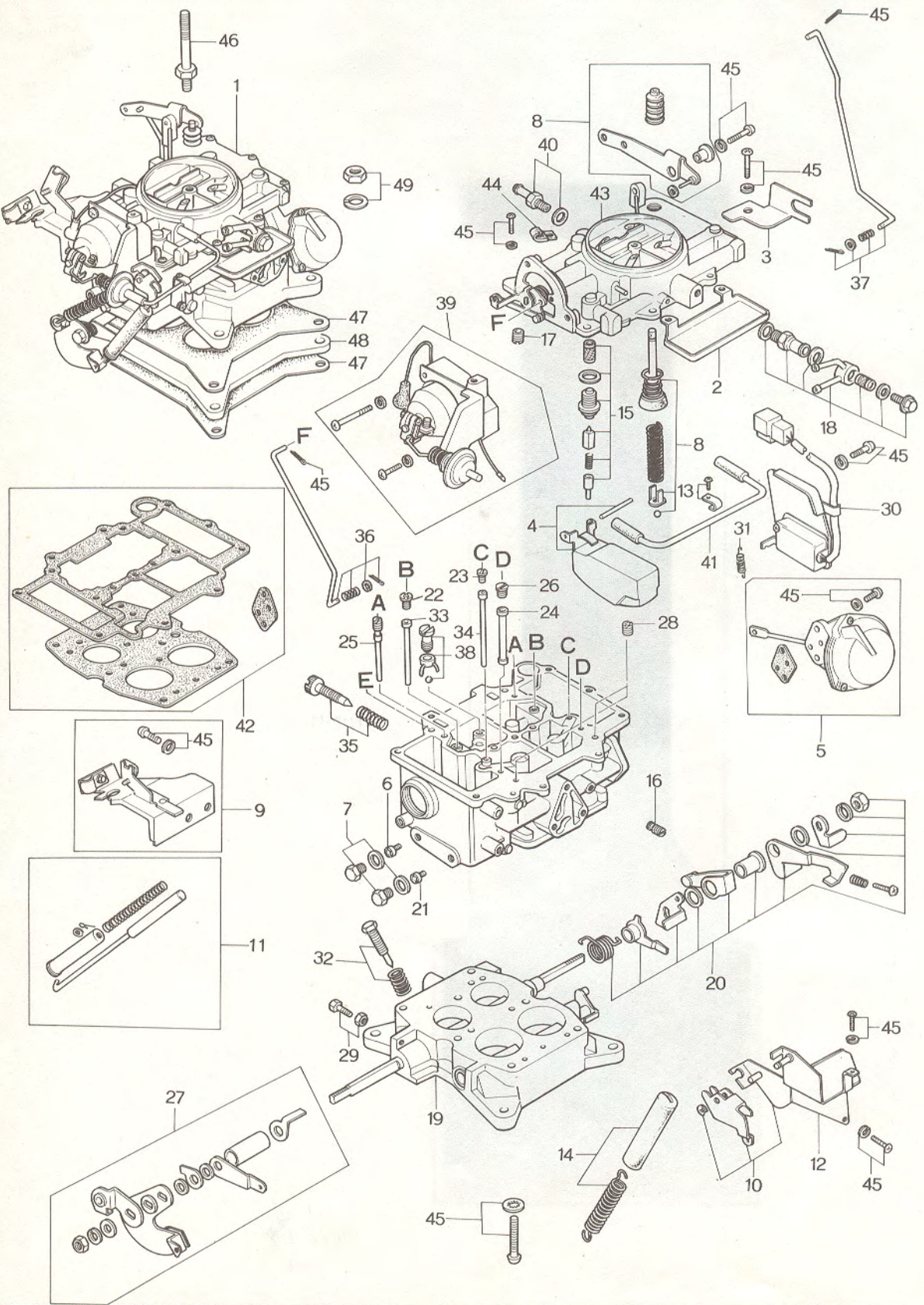
No.	Part Number	Description	Q'ty	Remarks
1	3565 13 100 A	Manifold, IN. (U.S.A.)	1	
	3900 13 100 B	Manifold, IN. (Canada)	1	
2	99307 0600	Plug, Blind (Canada)	1	
3	99307 0800	Plug, Blind (Canada)	1	
4	99307 1000	Plug, Blind (U.S.A.)	1	
5	99503 3000	Plug	2	
6	99511 1000	Plug	1	
7	99564 1000	Gasket	1	
8	99851 0622 A	Stud, Air Control Valve	3	
9	99851 0830 A	Stud, Carburettor	4	
10	99940 0801	Nut, IN. Manifold	6	
11	1757 13 111	Gasket, IN. Manifold	1	
12	1757 13 251 A	Clip, Valve Wiring	2	
13	99541 0240	Ring, "O" - IN. Manifold	2	
14	3565 13 330	Duct, Hot Air	1	
15	99796 0812	Bolt, Hot Air Duct	2	
16	1757 13 341 A	Hose, Hot Air	1	
17	1757 13 371 B	Insulator, Heat	1	
18	99786 0612	Bolt, Heat Insulator	2	

IN. MANIFOLD & THERMAL REACTOR

(USED FROM 7/10)

No.	Part Number	Description	Q'ty	Remarks
	99952 0618	Washer, Plain	2	
19	1757 13 800	Reactor, Thermal (U.S.A. Automatic & Canada)	1	
	3565 13 800A	Reactor, Thermal (U.S.A. Manual)	1	
20	2329 13 876	Stud	3	
21	2090 13 742A	Insert	1	
22	2158 40 355	Nut, Thermal Reactor	4	
	0839 13 614	Washer, Plain	4	
	2329 13 882	Washer, Spring	4	
23	1757 13 889B	Gasket, Thermal Reactor	2	
24	1757 13 891	Gasket, Thermal Reactor	1	
25	3565 13 380B	Plate, Absorber	1	
26	3565 13 390	Bracket, Absorber Plate	1	
27	99796 0812	Bolt, Absorber Plate (U.S.A.)	1	
28	99940 0600	Nut, Absorber Plate	2	
29	99940 0800	Nut, Absorber Plate	1	

CARBURETTOR



CARBURETTOR

13

23

No.	Part Number	Description	Q'ty	Remarks
1	1757 13 200	Carburettor (Manual)	1	
	1757 13 200 A	Carburettor (Manual)	1	From Car No. 1
●	3565 13 200 A	Carburettor (For U.S.A.)	1 $\frac{7}{10}$ ~X	(components not available yet)
●	3904 13 200	Carburettor (Canada)		
	1758 13 200	Carburettor (Automatic)	1	
●	3567 13 200 A	Carburettor (For U.S.A.)	1 $\frac{7}{10}$ ~X	(components not available yet)
●	3902 13 200 A	Carburettor (For Canada)		
2	1757 23 318	Tray, Fuel	1	
●	1757 23 318 A	Tray, Fuel	1	$\frac{7}{6}$ ~△
3	1757 23 319	Bracket, Connector	1	
4	1757 23 326	Float Set	1	
5	1757 23 350	Chamber Set, Diaphragm	1	
6	1757 23 353	Jet Set, Main (P)	1	
7	1757 23 354	Plug Set, Drain	1	
8	1757 23 360	Pump Set, Accel.	1	
9	1757 23 370	Bracket, Throttle Wire	1	
10	1757 23 371	Bracket Set, Throttle Adjust	1	
11	1757 23 372	Spring Set, Sub Return	1	
12	1757 23 373	Plate, Return	1	
13	1757 23 374	Clip, Vacuum Pipe	1	
14	1757 23 380	Spring Set, Return	1	
15	1757 23 390	Valve Set, Needle	1	
16	0268 23 393 A	Jet, Slow-120 (S)	1	
17	0268 23 394	Bleed, Air-190	1	
18	1757 23 409	Connector Set, Fuel	1	

CARBURETTOR

No.	Part Number	Description	Q'ty	Remarks
19	1757 23 410	Flange Set	1	
20	1757 23 420	Lever Set, Front	1	
21	0820 23 422	Jet, Main - 140	1	
22	1757 23 423	Jet Set, Main Air Bleed (P) (Manual)	1	
	1758 23 423	Jet Set, Main Air Bleed (P) (Automatic)	1	
23	1757 23 424	Jet Set, Main Air Bleed (S)	1	
24	1757 23 426	Jet Set, Step (S)	1	
25	1757 23 427	Jet Set, Step (P)	1	
26	0820 23 428	Jet, Slow Air - 150	1	
27	1757 23 430	Lever Set, Rear	1	
28	1757 23 433	Jet Set, Slow Air Bleed (S)	1	
29	1757 23 440	Screw Set, Throttle Adjust	1	
30	1757 23 450	Switch Set, Idle	1	
31	1757 23 455	Spring, Idle Switch Lever	1	
32	1757 23 460	Screw Set, Idle Adjust	1	
33	1757 23 461	Tube, Emulsion (P)	1	
34	1757 23 462	Tube, Emulsion (S)	1	
35	1757 23 470	Screw Set, Air Adjust	1	
36	1757 23 480	Rod Set, Choke	1	
37	1757 23 481	Rod Set, Accel.	1	

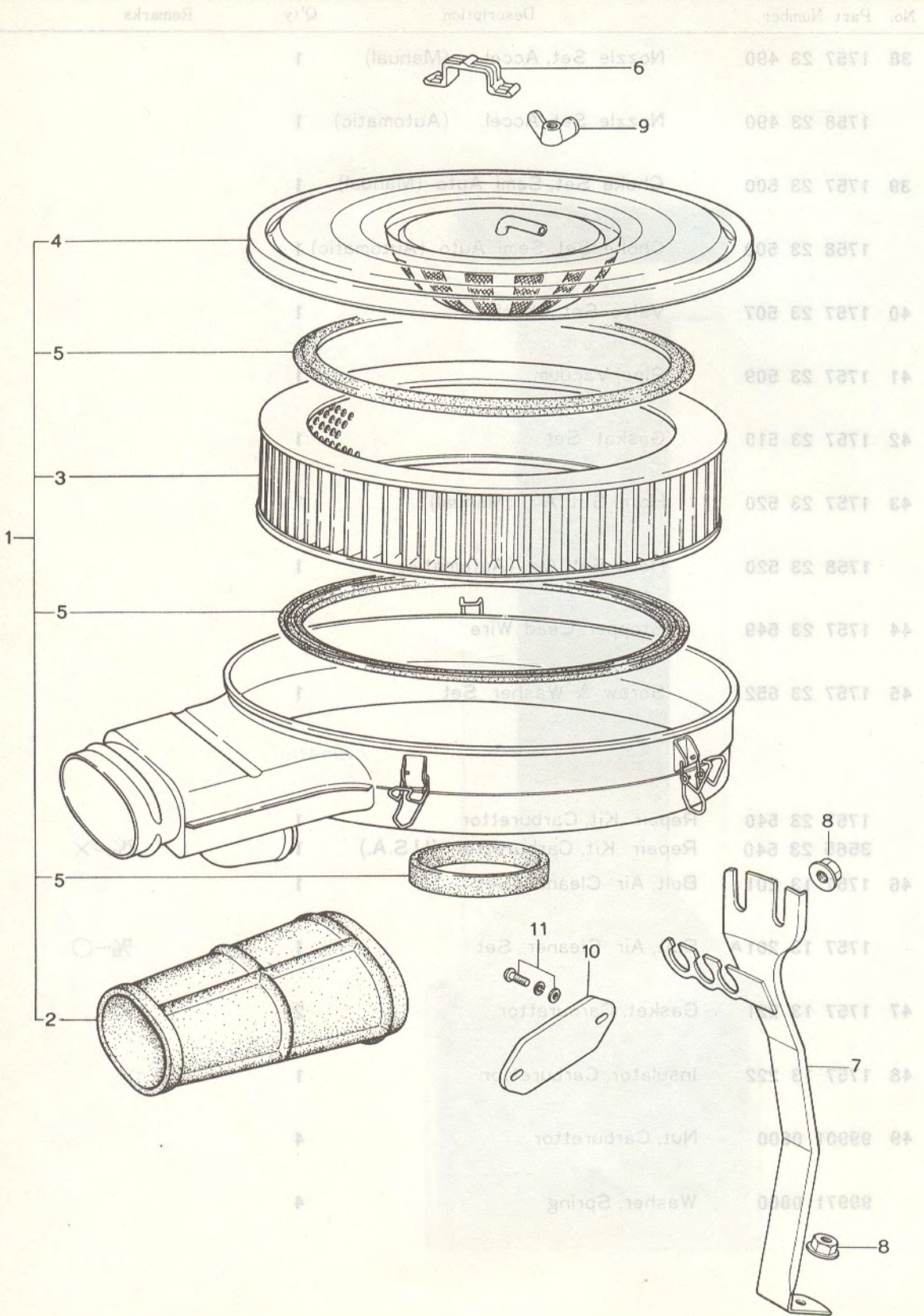
CARBURETTOR

13

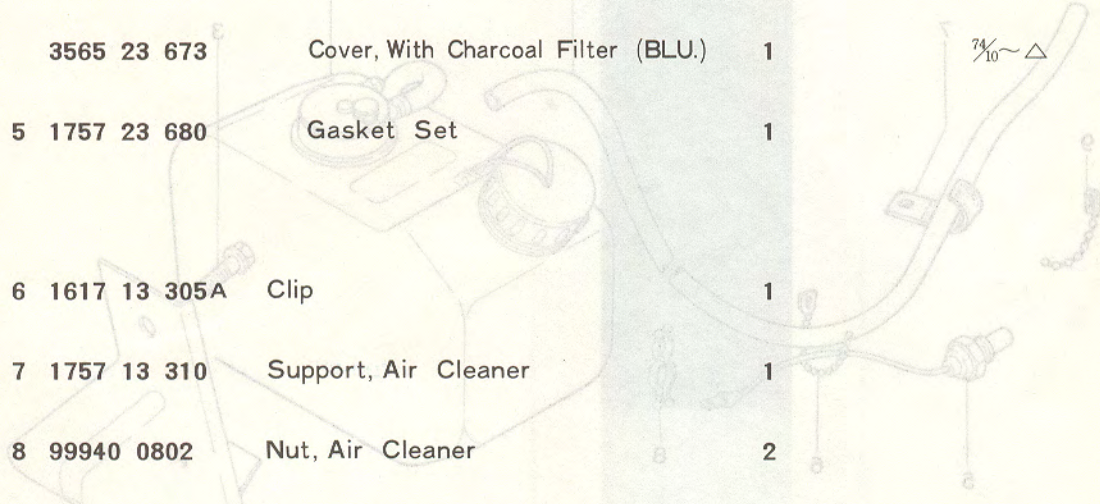
23

No.	Part Number	Description	Q'ty	Remarks
38	1757 23 490	Nozzle Set, Accel. (Manual)	1	
	1758 23 490	Nozzle Set, Accel. (Automatic)	1	
39	1757 23 500	Choke Set, Semi Auto (Manual)	1	
	1758 23 500	Choke Set, Semi Auto (Automatic)	1	
40	1757 23 507	Valve Set, Check	1	
41	1757 23 509	Pipe, Vacuum	1	
42	1757 23 510	Gasket Set	1	
43	1757 23 520	Horn Set, Air (Manual)	1	
	1758 23 520	Horn Set, Air (Automatic)	1	
44	1757 23 549	Stopper, Lead Wire	1	
45	1757 23 652	Screw & Washer Set	1	
	1757 23 540	Repair Kit, Carburettor	1	
	3565 23 540	Repair Kit, Carburettor (U.S.A.)	1	$\frac{7}{10} \times$
46	1757 13 201	Bolt, Air Cleaner Set	1	
	1757 13 201A	Bolt, Air Cleaner Set	1	$\frac{7}{12} \sim \bigcirc$
47	1757 13 221	Gasket, Carburettor	2	
48	1757 13 222	Insulator, Carburettor	1	
49	99901 0800	Nut, Carburettor	4	
	99971 0800	Washer, Spring	4	

AIR CLEANER

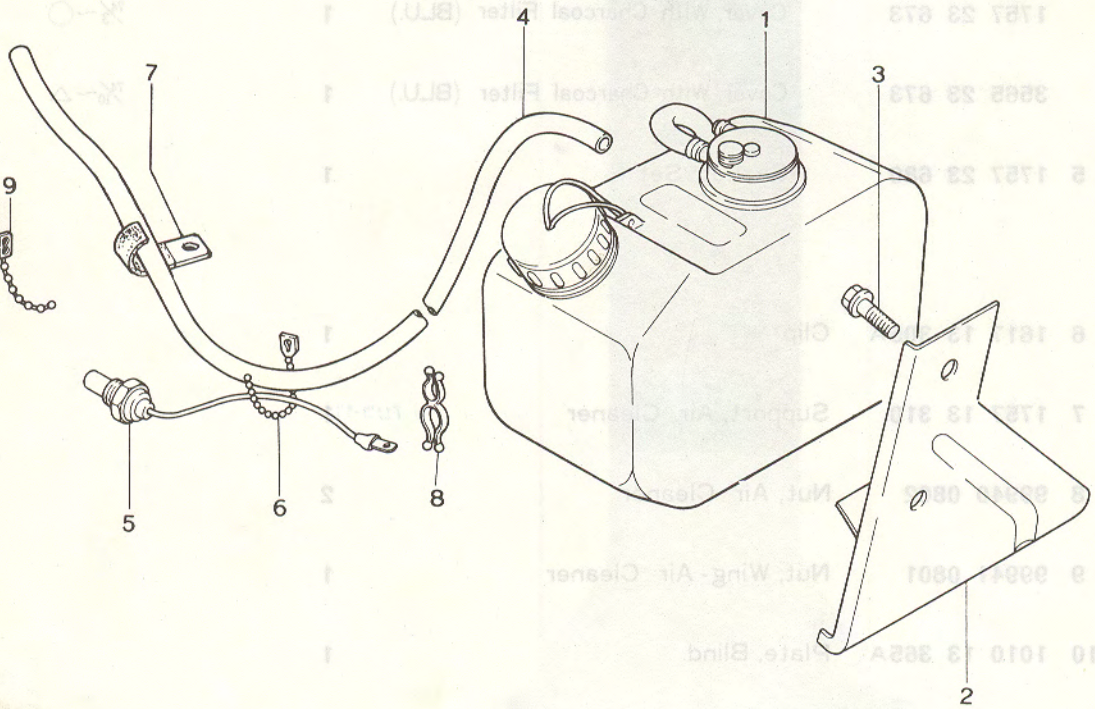


No.	Part Number	Description	Q'ty	Remarks
1	1757 13 300	Cleaner, Air	1	
	1757 13 300A	Cleaner, Air	1	$\frac{73}{12}$ ~ \triangle
●	3565 13 300	Cleaner, Air	1	$\frac{74}{10}$ ~ \triangle
2	1757 13 351	Hose, Air	1	
3	1757 23 672	Element	1	
4	1113 23 673	Cover, With Charcoal Filter (BLU.)	1	
●	1757 23 673	Cover, With Charcoal Filter (BLU.)	1	$\frac{74}{3}$ ~ \circ
●	3565 23 673	Cover, With Charcoal Filter (BLU.)	1	$\frac{74}{10}$ ~ \triangle
5	1757 23 680	Gasket Set	1	
6	1617 13 305A	Clip	1	
7	1757 13 310	Support, Air Cleaner	1	
8	99940 0802	Nut, Air Cleaner	2	
9	99941 0801	Nut, Wing- Air Cleaner	1	
10	1010 13 365A	Plate, Blind	1	
11	99786 0612	Bolt, Blind Plate	2	
	99952 0618	Washer, Plain	2	



STARTING ASSIST SYSTEM

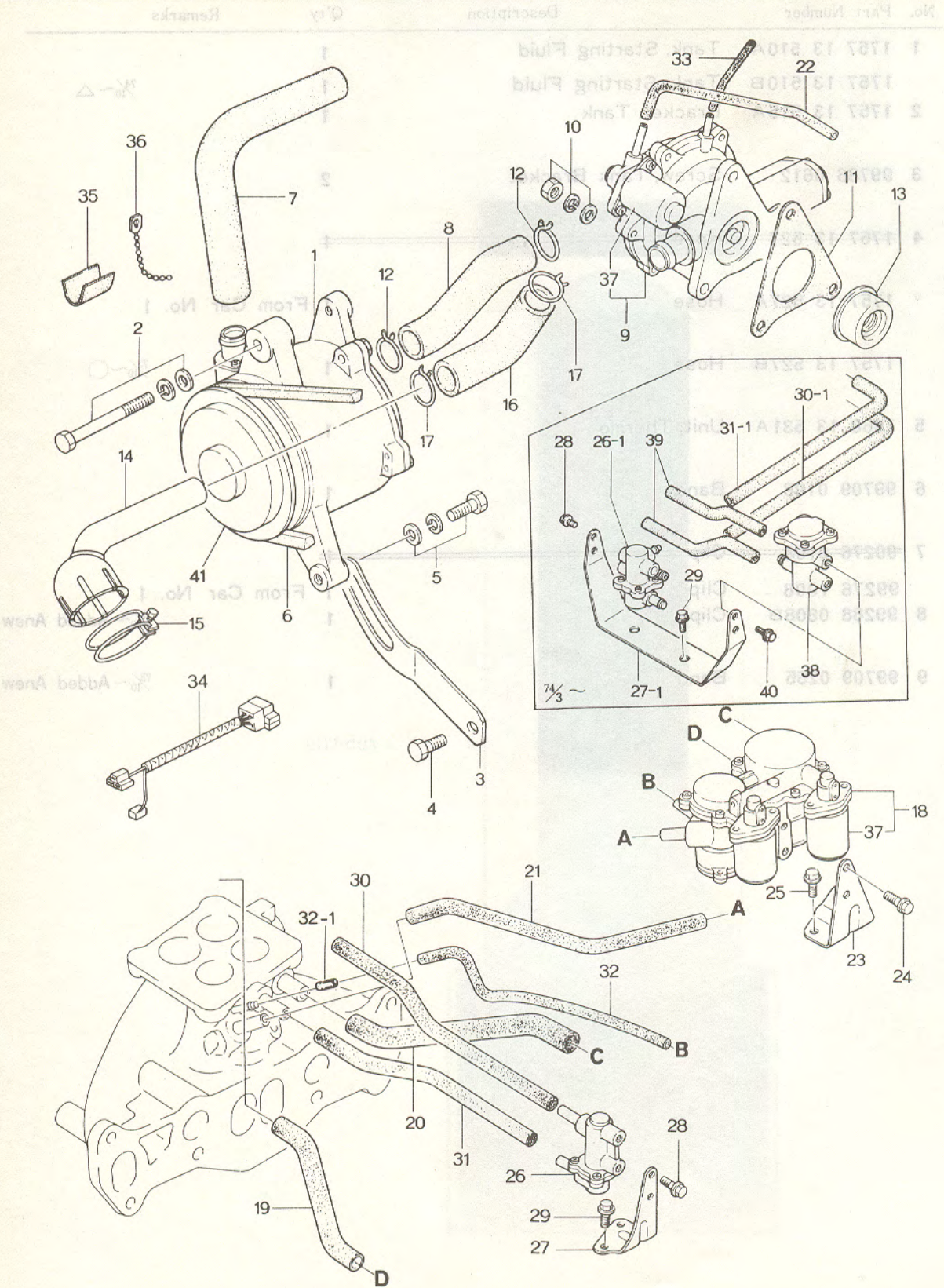
No. Part Number	Description	Q'ty	Remarks
1 1757 13 300	Cleaner, Air	1	
1757 13 300A	Cleaner, Air	1	△
3568 13 300	Cleaner, Air	1	△
2 1757 13 381	Hose, Air	1	
3 1757 23 872	Element	1	
4 1713 23 873	Cover, With Charcoal Filter (BLU)	1	
1757 23 873	Cover, With Charcoal Filter (BLU)	1	○
3568 23 873	Cover, With Charcoal Filter (BLU)	1	○
5 1757 23 873	Cover, With Charcoal Filter (BLU)	1	
6 181 13 371	Cleaner, Air	1	
7 1757 13 371	Support, Air Cleaner	1	
8 9984 0801	Nut, Wing-Air Cleaner	1	
9 9984 0801	Nut, Wing-Air Cleaner	1	
10 1010 13 385A	Plate, Blind	1	
11 99786 0812	Bolt, Blind Plate	2	
99852 0818	Washer, Plain	2	



STARTING ASSIST SYSTEM

13

No.	Part Number	Description	Q'ty	Remarks
1	1757 13 510A	Tank, Starting Fluid	1	
•	1757 13 510B	Tank, Starting Fluid	1	$\frac{7}{10}$ ~△
2	1757 13 515A	Bracket, Tank	1	
3	99786 0612	Screw, Tank Bracket	2	
4	1757 13 527	Hose	1	
	1757 13 527A	Hose	1	From Car No. 1
	1757 13 527B	Hose	1	$\frac{7}{10}$ ~○
5	1668 13 531A	Unit, Thermo	1	
6	99709 0108	Band	1	
7	99276 0108	Clip	1	
•	99276 1008	Clip	1	From Car No. 1
8	99288 0808B	Clip	1	$\frac{7}{10}$ ~ Added Anew
9	99709 0255	Band	1	$\frac{7}{10}$ ~ Added Anew



EMISSION CONTROL SYSTEM

13

No.	Part Number	Description	Q'ty	Remarks
1	1757 13 710	Pump, Air (Fig. No. 41 included)	1	
●	1757 13 710A	Pump, Air (Fig. No. 41 included)	1	$\frac{74}{10}$ ~△
2	99803 08100	Bolt, Air Pump	1	
	99951 0818	Washer, Plain	1	
	99952 0800	Washer, Plain	1	$\frac{73}{10}$ ~△
	99971 0800	Washer, Spring	1	
3	1757 13 714	Strap, Air Pump	1	
4	99796 0814	Bolt, Strap	1	
5	99801 0822	Bolt, Strap	1	
	99796 0820	Bolt, Strap	1	$\frac{73}{10}$ ~△
	99953 0800	Washer, Plain	1	
	99952 0818	Washer, Plain	1	$\frac{73}{10}$ ~△
	99971 0800	Washer, Spring	1	$\frac{73}{10}$ ~Discarded
6	1757 13 715	Belt, "V" - Air Pump	1	
7	1757 13 717	Hose, Air - Air Pump~Air Cleaner	1	
8	1757 13 718	Hose, Air - A.C. Valve~Air Pump	1	
●	3565 13 718	Hose, Air - A.C. Valve~Air Pump (U.S.A.)	1	$\frac{74}{10}$ ~△
9	1757 13 720	Valve, Air Control (Fig. No. 37 included) (Manual)	1	
●	3565 13 720A	Valve, Air Control (Fig. No. 37 included) (U.S.A.)	1	$\frac{74}{10}$ ~×
●	3587 13 720	Valve, Air Control (Fig. No. 37 included) (Canada)	1	$\frac{74}{11}$ ~×
	1758 13 720	Valve, Air Control (Fig. No. 37 included) (Automatic)	1	
●	3567 13 720A	Valve, Air Control (Fig. No. 37 included) (U.S.A.)	1	$\frac{74}{10}$ ~×
●	3589 13 720	Valve, Air Control (Fig. No. 37 included) (Canada)	1	$\frac{74}{11}$ ~×
10	99906 0600	Nut, Air Control Valve	3	
	99940 0601	Nut, Air Control Valve	3	$\frac{73}{10}$ ~△
	99953 0600	Washer, Plain	3	$\frac{73}{10}$ ~Discarded
	99971 0600	Washer, Spring	3	$\frac{73}{10}$ ~Discarded
11	1757 13 724	Gasket, Air Control Valve	1	
●	3565 13 724	Gasket, Air Control Valve (U.S.A.)	1	$\frac{74}{10}$ ~×
12	2329 13 726	Clip, Air Hose	2	
13	1758 13 730	Valve, Check	1	
●	3565 13 730	Valve, Check (U.S.A.)	1	$\frac{74}{10}$ ~×
●	3625 13 730	Valve, Check (Canada)	1	$\frac{74}{11}$ ~×
14	1757 13 740	Pipe, Air - Reactor Side	1	

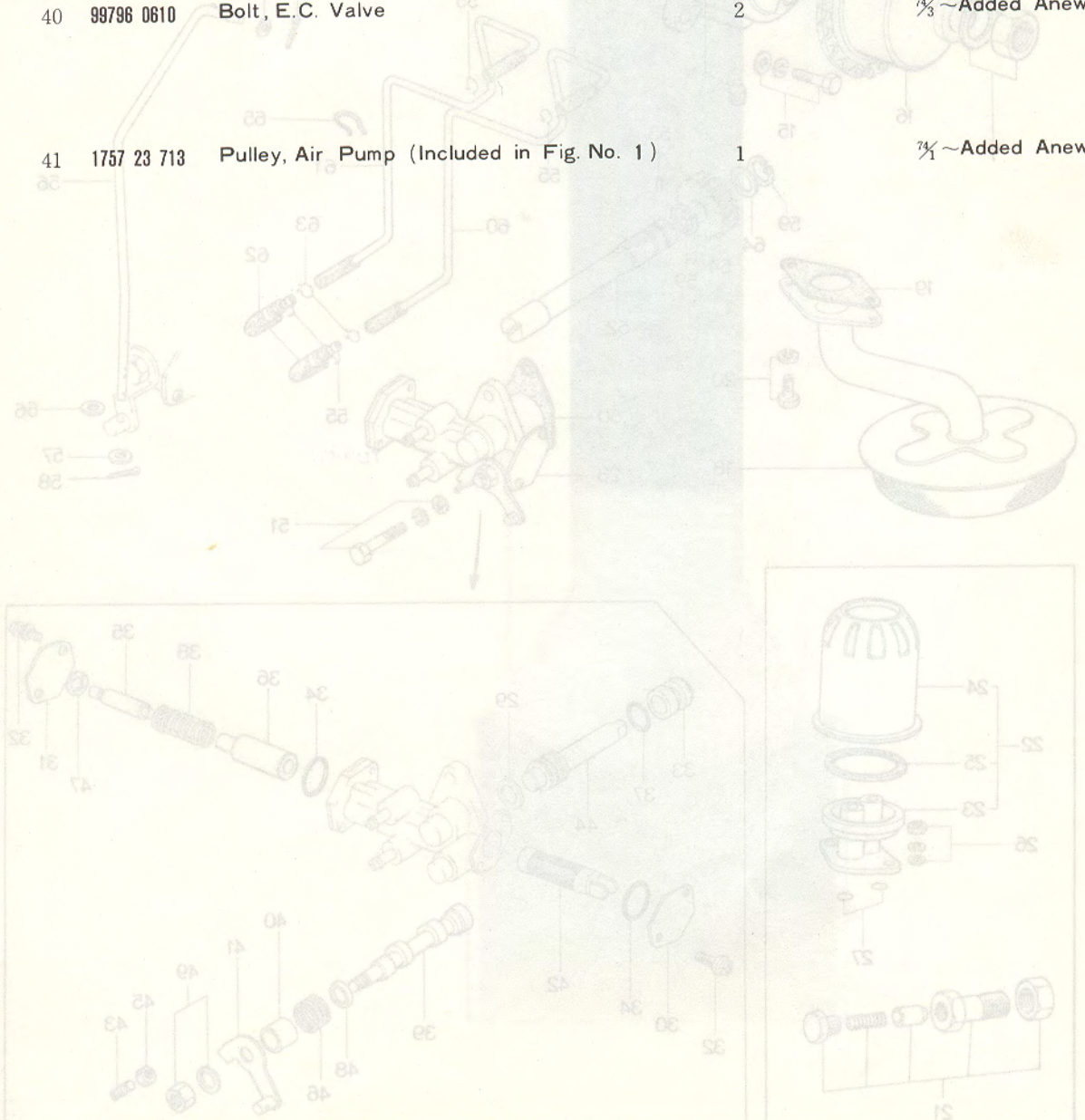
EMISSION CONTROL SYSTEM

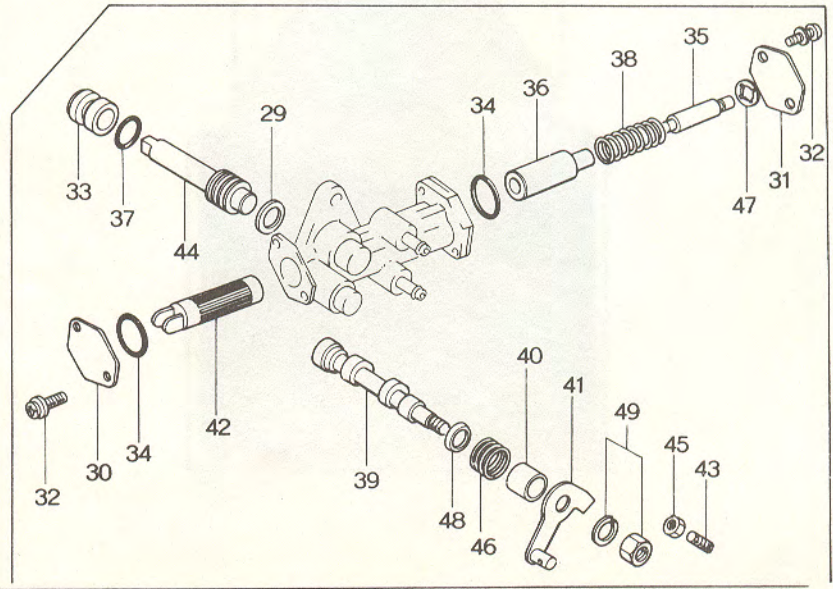
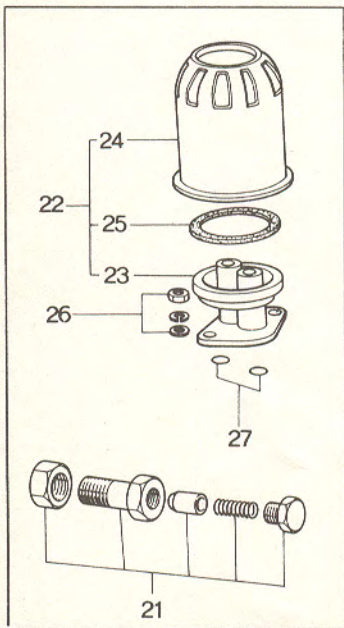
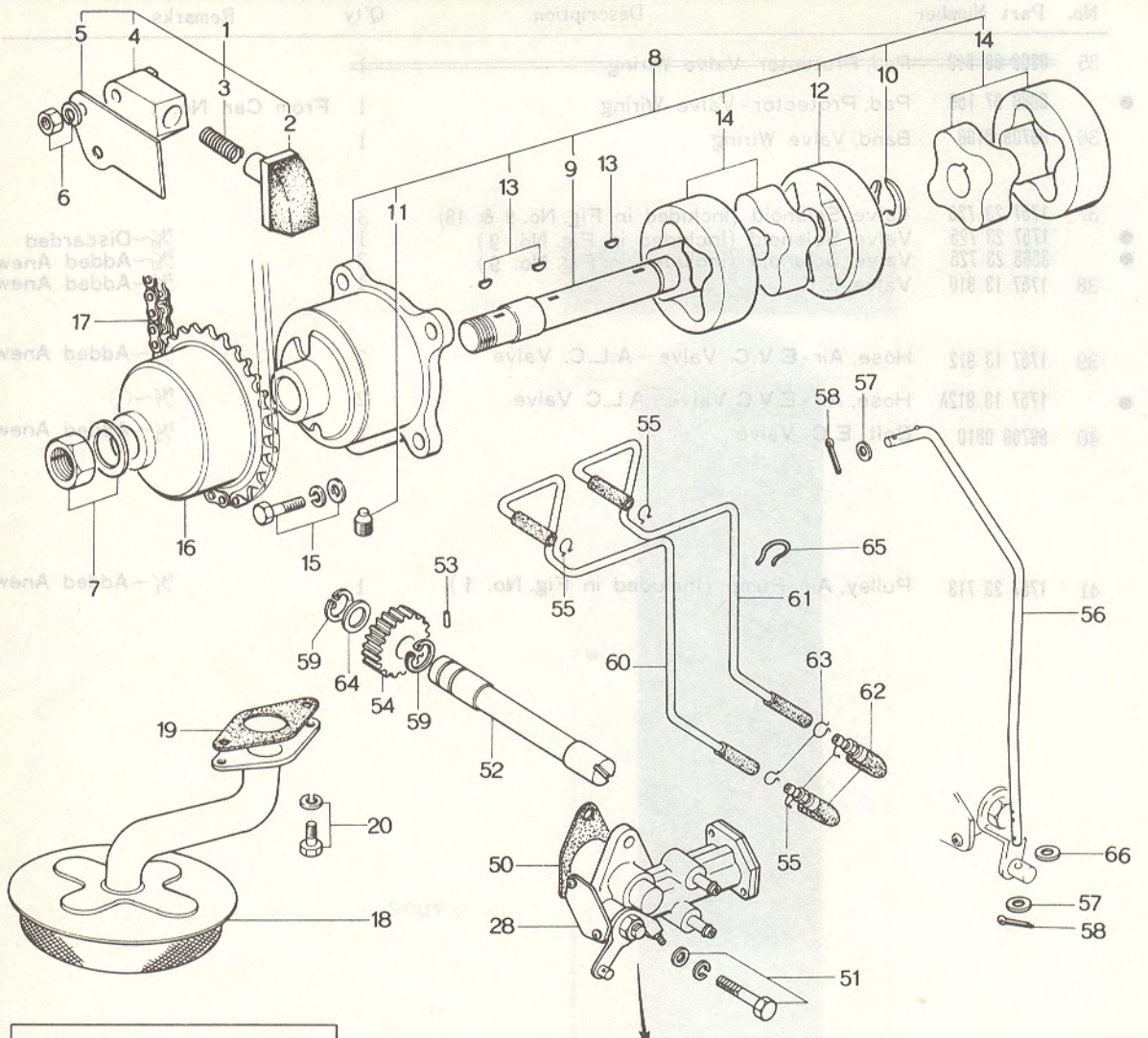
No.	Part Number	Description	Q'ty	Remarks
15	99282 4309	Band, Hose-Air Pipe	1	
16	1757 13 744	Hose, Air - Reactor ~ A.C. Valve	1	
17	2090 13 746	Clip, Air Hose	2	
18	1757 13 750	Valve, Deceleration Control (Fig. No. 37 included)	1	
19	1757 13 752	Hose, Air - D.C. Valve ~ Air Cleaner	1	
20	1757 13 753	Hose, Air - D.C. Valve ~ IN. Manifold	1	
21	1757 13 754	Hose, Air - D.C. Valve ~ IN. Manifold	1	
	1757 13 754A	Hose, Air - D.C. Valve ~ IN. Manifold	1	From Car No. 1
	1757 13 754B	Hose, Air - D.C. Valve ~ IN. Manifold	1	$\frac{7}{8}$ ~ Δ
●	1757 13 754C	Hose, Air - D.C. Valve ~ IN. Manifold	1	$\frac{7}{10}$ ~ X
22	2329 13 754A	Tube, Balance - A.C. Valve ~ Carburettor	1	
●	2329 13 754A	Tube, Balance - A.C. Valve ~ Carburettor (U.S.A.)	1	$\frac{7}{11}$ ~ Discarded
23	1757 13 757	Supporter, D.C. Valve	1	
24	99796 0610	Bolt, Supporter + D.C. Valve	2	
25	99796 0812	Bolt, D.C. Valve Supporter	2	
26	1757 13 770A	Compensator, Altitude	1	
26-1	1757 13 770B	Compensator, Altitude	1	$\frac{7}{4}$ ~ X
27	1757 13 772A	Bracket, Alt. Compensator	1	
27-1	1757 13 772B	Bracket, Alt. Compensator	1	$\frac{7}{4}$ ~ X
●	1202 13 911	Bracket, Alt. Compensator	1	$\frac{7}{10}$ ~ Added Anew
28	99796 0610	Bolt, Alt. Compensator	2	
29	99796 0812	Bolt, Alt. Compensator + Bracket	2	
30	1757 13 775	Hose, Air - Alt. Compensator ~ Carburettor (190%)	1	Order Under No. 99344 06150 (L = 15m)
	99346 08200	Hose, Air - Alt. Compensator ~ Carburettor	1	Order Under No. 99343 08035 (L = 3.5m)
30-1	99346 08190	Hose, Air - Alt. Compensator ~ Carburettor (190%)	1	Order Under No. 99343 08035 (L = 3.5m)
	1757 13 775A	Hose, Air - Alt. Compensator ~ Carburettor	1	$\frac{7}{3}$ ~ Δ $\frac{7}{7}$ ~ \circ
31	1757 13 776	Hose, Air - Alt. Compensator ~ IN. Manifold	1	
	99346 08240	Hose, Air - Alt. Compensator ~ IN. Manifold	1	Order Under No. 99343 08035 $\frac{7}{11}$ ~ \circ
31-1	99346 08190	Hose, Air - Alt. Compensator ~ IN. Manifold (190%)	1	Order Under No. 99343 08035 (L = 3.5m)
●	1757 13 775A	Hose, Air - Alt. Compensator ~ IN. Manifold	1	$\frac{7}{3}$ ~ Δ $\frac{7}{7}$ ~ \circ
32	1757 13 778	Tube, Vacuum - D.C. Valve ~ IN. Manifold	1	$\frac{7}{10}$ ~ Discarded
	99340 04200	Tube, Vacuum - D.C. Valve ~ IN. Manifold	1	$\frac{7}{11}$ ~ Added Anew
●	32-1 3565 13 751	Insert	1	$\frac{7}{10}$ ~ Added Anew
33	99340 04200	Hose, Air - A.C. Valve ~ Air Cleaner	1	
34	1757 18 860	Wiring, Valve	1	
●	3565 18 860	Wiring, Valve (U.S.A.)	1	$\frac{7}{10}$ ~ X
●	3900 18 860	Wiring, Valve (Canada)	1	$\frac{7}{11}$ ~ X

EMISSION CONTROL SYSTEM

13

No.	Part Number	Description	Q'ty	Remarks
35	0200 00 040	Pad, Protector - Valve Wiring	1	
●	0866 67 156	Pad, Protector - Valve Wiring	1	From Car No. 1
36	99709 0108	Band, Valve Wiring	1	
37	1757 23 725	Valve, Solenoid (Included in Fig. No. 9 & 18)	3	
●	1757 23 725	Valve, Solenoid (Included in Fig. No. 9)	1	$\frac{7}{8}$ ~ Discarded
●	3565 23 725	Valve, Solenoid (Included in Fig. No. 9)	3	$\frac{7}{10}$ ~ Added Anew
38	1757 13 910	Valve, E.C.	1	$\frac{7}{8}$ ~ Added Anew
39	1757 13 912	Hose, Air - E.V.C. Valve ~ A.L.C. Valve	2	$\frac{7}{8}$ ~ Added Anew
●	1757 13 912A	Hose, Air - E.V.C. Valve ~ A.L.C. Valve	2	$\frac{7}{8}$ ~ ○
40	99796 0610	Bolt, E.C. Valve	2	$\frac{7}{8}$ ~ Added Anew
41	1757 23 713	Pulley, Air Pump (Included in Fig. No. 1)	1	$\frac{7}{8}$ ~ Added Anew



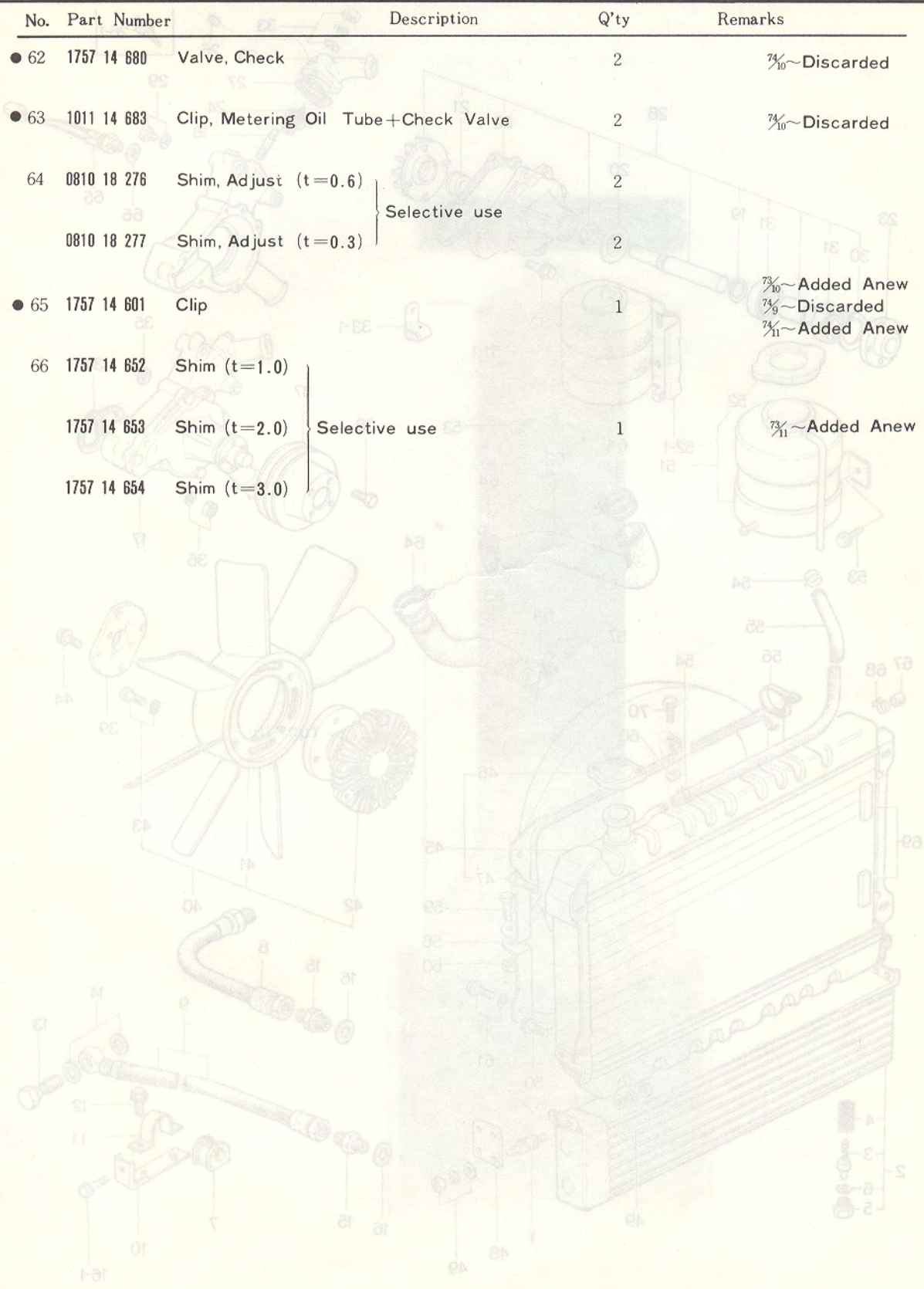


No.	Part Number	Description	Q'ty	Remarks
1	1757 14 020	Adjuster, Chain	1	
2	0823 14 130	Adjuster	1	
3	0823 14 131	Spring	1	
4	1757 14 132	Body	1	
5	0839 14 133	Plate, Guide	1	
6	99906 0600	Nut, Chain Adjuster	2	
	99971 0600	Washer, Spring	2	
7	99922 1200	Nut, Oil Pump Drive Gear	1	
	99979 1200	Washer, Tab	1	
8	1757 14 100	Pump, Oil	1	
9	1757 14 112	Shaft, Oil Pump	1	
10	0810 14 113	Ring, Snap	1	
11	0839 14 117	Bolt, Lock	1	
12	0820 14 118C	Plate, Middle-Oil Pump	1	
13	0839 14 119B	Key	3	
14	0820 23 882A	Rotor Set, Oil Pump	2	
15	99806 0618	Bolt, Oil Pump	4	

No.	Part Number	Description	Q'ty	Remarks
	99952 0600	Washer, Plain	4	
	99971 0600	Washer, Spring	4	
16	0839 14 141A	Gear, Drive-Oil Pump	1	
17	0839 14 142	Chain	1	
18	0866 14 160E	Strainer, Oil	1	
19	0810 14 171	Gasket, Oil Strainer	1	
20	99806 0614	Bolt, Oil Strainer	2	
	99971 0600	Washer, Spring	2	
21	0820 14 250D	Regulator, Pressure	1	
22	0839 14 300	Filter, Oil	1	
23	0839 23 801	Cover	1	
24	0813 23 802B	Cartridge, Oil Filter	1	
25	0813 23 803	Gasket	1	
26	99901 0800	Nut, Oil Filter	2	
	99953 0800	Washer, Plain	2	
	99971 0800	Washer, Spring	2	
27	99541 01601	Ring, "O"-Oil Filter	2	

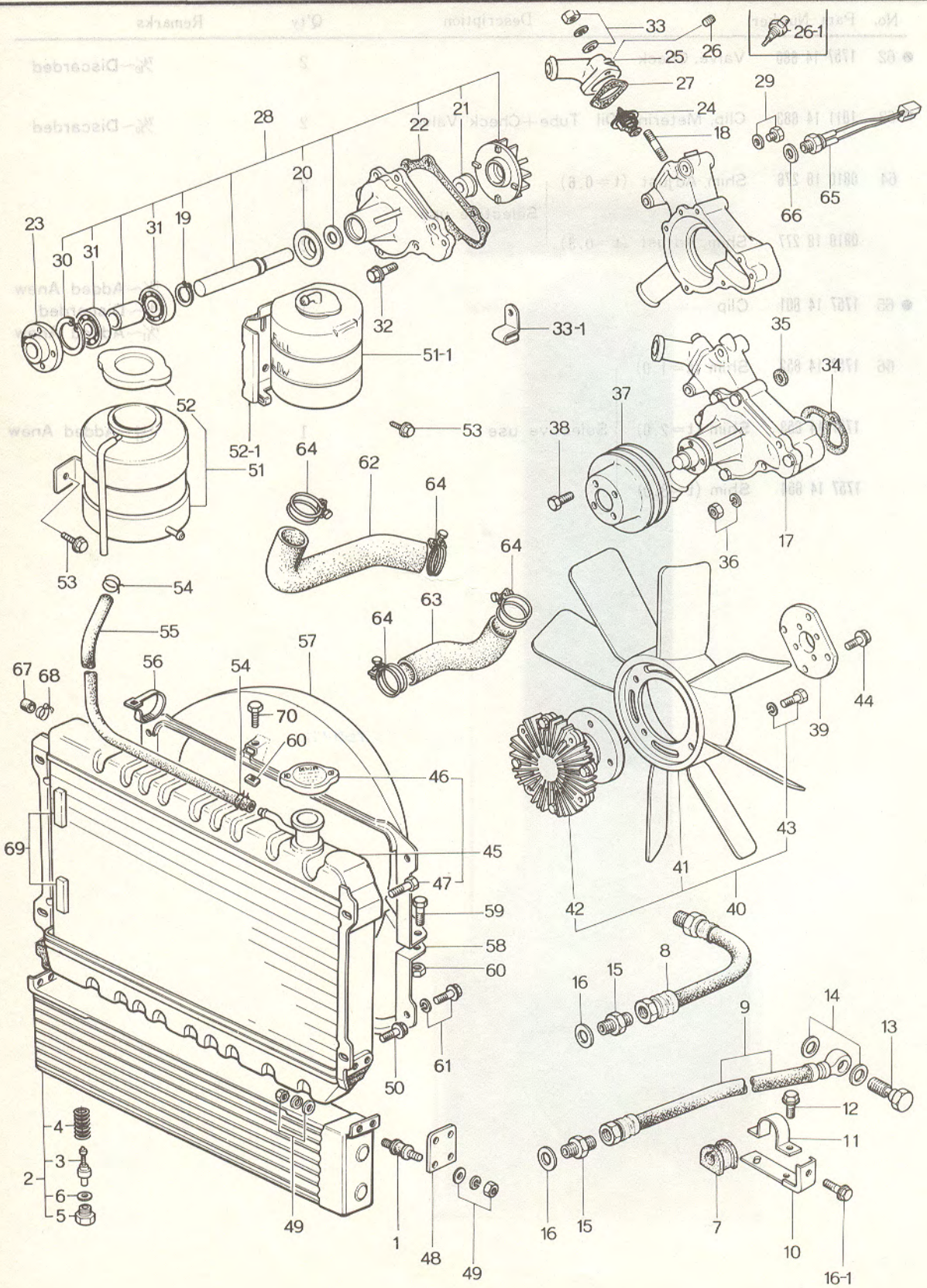
No.	Part Number	Description	Q'ty	Remarks
28	1757 14 800	Pump, Metering Oil	1	
29	0820 23 832B	Washer, Thrust	1	
30	0820 23 833B	Plate, Cam Casing	1	
31	0820 23 834B	Plate, Cam Casing	1	
32	99833 0408	Screw, Cam Casing Plate	4	
	99971 0400	Washer, Plain	4	
33	0820 23 835A	Bearing, Worm	1	
34	0730 23 837	Ring, "O"	2	
35	1011 23 837	Plunger, Sub	1	☆
36	1011 23 838	Plunger, Differential	1	☆
37	0730 23 839	Ring, "O"	1	
38	0820 23 840	Spring, Plunger	1	☆
39	1011 23 841	Pin, Control	1	☆
40	0820 23 842	Cap	1	☆
41	1757 23 844	Lever, Control	1	☆
42	0730 23 845	Plunger	1	☆
43	0820 23 845A	Screw, Adjust	1	☆
44	0730 23 846	Bearing, Worm	1	☆
45	0820 23 847A	Nut, Adjust, Screw	1	☆
46	0820 23 848A	Spring, Return	1	

No.	Part Number	Description	Q'ty	Remarks
47	2000 23 853	Nut, Push	1	
48	0730 23 854	Ring, "V"	1	
49	99907 0600	Nut, Control Lever	1	
	99971 0600	Washer, Spring	1	
50	1757 14 611	Gasket, Metering Oil Pump	1	
51	00700 0810	Bolt, Metering Oil Pump	1	
51	99806 0618	Bolt	2	
	99953 0600	Washer, Plain	2	
	99971 0600	Washer, Spring	2	
52	0820 14 620A	Shaft, Driven Gear	1	
53	0813 14 623	Pin, Driven Gear	1	
54	0820 14 625A	Gear, Driven	1	
55	0813 14 641	Clip, Metering Oil Tube	4	
56	1757 14 651	Rod, Connecting	1	
57	99953 0400	Washer, Plain	1	
58	99221 1212	Pin, Split	2	
59	99576 0800	Ring, Snap-Driven Gear Shaft	2	
60	1757 14 660	Tube, Metering Oil	1	
●	3565 14 660A	Tube, Metering Oil	1	$\frac{7}{10}$ ~×
61	1757 14 670	Tube, Metering Oil	1	
●	3565 14 670A	Tube, Metering Oil	1	$\frac{7}{10}$ ~×



No.	Part Number	Description	Q'ty	Remarks
● 62	1757 14 680	Valve, Check	2	$\frac{7}{10}$ ~Discarded
● 63	1011 14 683	Clip, Metering Oil Tube+Check Valve	2	$\frac{7}{10}$ ~Discarded
64	0810 18 276	Shim, Adjust (t=0.6)	2	} Selective use
	0810 18 277	Shim, Adjust (t=0.3)		
● 65	1757 14 601	Clip	1	$\frac{7}{10}$ ~Added Anew $\frac{7}{9}$ ~Discarded $\frac{7}{11}$ ~Added Anew
66	1757 14 652	Shim (t=1.0)	1	} Selective use
	1757 14 653	Shim (t=2.0)		
	1757 14 654	Shim (t=3.0)		

COOLING SYSTEM



COOLING SYSTEM

14

15

No.	Part Number	Description	Q'ty	Remarks
1	0222 13 363	Rubber, Insulation	8	
	1757 15 312	Rubber, Insulation	8	$\frac{3}{8}$ " ~ Δ
2	1757 14 700A	Cooler, Oil	1	
	1757 14 700B	Cooler, Oil	1	$\frac{3}{8}$ " ~ Δ
	1757 14 700C	Cooler, Oil	1	$\frac{7}{16}$ " ~ Δ
	1757 14 700D	Cooler, Oil	1	$\frac{7}{8}$ " ~ \times
	3585 14 700	Cooler, Oil	1	$\frac{7}{16}$ " ~ \times
3	1757 14 810	Pellet, Thermo	1	
4	1757 14 821	Spring, Pellet	1	
5	1757 14 822	Nut, Stopper	1	
6	99564 2200	Gasket	1	
7	0813 14 716	Protector, Oil Hose	1	
8	0865 14 720	Hose, Oil	1	
9	1570 14 730A	Hose, Oil	1	
10	1757 14 740	Bracket, Oil Hose	1	
	1758 14 740	Bracket, Oil Hose (Automatic)	1	$\frac{7}{16}$ " ~ \times
11	0839 14 745	Clip, Oil Hose	1	
12	99806 0816	Bolt, Clip	1	
	99971 0600	Washer, Spring	1	
13	99381 1400	Bolt, Connector - Oil Hose	1	
14	99562 1800	Gasket	2	
15	99384 1200F	Joint, Union	2	
16	99564 1600	Gasket	2	
16-1	99796 0810	Bolt, Bracket	1	1 From Car No. 1

No.	Part Number	Description	Q'ty	Remarks
17	1907 15 010	Pump, Water	1	
	1907 15 010B	Pump, Water	1	From Car No. 1
	1757 15 010B	Pump, Water	1	$\frac{7}{16}$ ~△
●	1052 15 010	Pump, Water	1	$\frac{7}{16}$ ~×
●	1052 15 010A	Pump, Water	1	$\frac{7}{16}$ ~△
●	1757 15 010D	Pump, Water	1	$\frac{7}{16}$ ~○
●	1052 15 010A	Pump, Water	1	$\frac{7}{16}$ ~○
18	2090 15 104	Stud	2	
19	1757 15 114	Ring, Snap	1	
20	1757 15 118	Plate, Dust Seal	1	
21	0820 15 120	Seal, Water	1	Order Under No. 0324 15 120
	1757 15 120	Seal, Water	1	From Car No. 1
22	1757 15 132	Gasket, Pump Cover	1	
23	1757 15 152	Boss, Pulley	1	
	1757 15 152A	Boss, Pulley	1	From Car No. 1
24	0839 15 171A	Thermostat	1	
25	1757 15 170	Cover, Thermostat (Fig. No. 26 included)	1	
	1758 15 170	Cover, Thermostat (Fig. No. 26-1 included)	1	$\frac{7}{16}$ ~×
●	1052 15 170	Cover, Thermostat (Fig. No. 26 included)	1	$\frac{7}{16}$ ~×
26	99502 3000	Plug, Thermostat Cover	1	
●	99502 3000A	Plug, Thermostat Cover	1	$\frac{7}{16}$ ~○
26-1	1757 15 190	Switch, Water Thermo	1	$\frac{7}{16}$ ~ Added Anew
27	0813 15 173	Gasket, Thermostat Cover	1	
	1757 15 173	Gasket, Thermostat Cover	1	$\frac{7}{16}$ ~○
28	1907 99 150	Repair Kit, Water Pump	1	
	1907 99 150A	Repair Kit, Water Pump	1	From Car No. 1
	1907 99 150B	Repair Kit, Water Pump	1	$\frac{7}{16}$ ~△
●	1907 99 150C	Repair Kit, Water Pump	1	$\frac{7}{16}$ ~○
29	99511 1200	Plug	1	$\frac{7}{16}$ ~ Discarded
	99562 1200	Gasket	1	
30	99574 4000	Ring, Retaining	1	
31	99606 72030	Bearing, Ball	2	
32	99801 0822	Bolt, Pump Cover	2	
	99796 0820	Bolt, Pump Cover	2	$\frac{7}{16}$ ~○
	99971 0800	Washer, Spring	2	$\frac{7}{16}$ ~ Discarded
33	99901 0800	Nut, Thermostat Cover	2	
	99953 0800	Washer, Plain	2	
●	33-1 3565 14 662	Clip	1	$\frac{7}{16}$ ~ Added Anew

COOLING SYSTEM

14
15

No.	Part Number	Description	Q'ty	Remarks
	99971 0800	Washer, Spring	2	
34	1757 15 105	Gasket, Water Pump	1	
	1757 15 105 A	Gasket, Water Pump	1	$\frac{74}{10} \sim \Delta$
35	0820 15 106	Gasket, Water Pump	2	
	1757 15 106	Shim, Water Pump	2	$\frac{74}{2} \sim \Delta$
36	99901 0800	Nut, Water Pump	4	
	99971 0800	Washer, Spring	4	
37	1751 15 151	Pulley, Water Pump	1	
	1751 15 151 A	Pulley, Water Pump	1	$\frac{73}{9} \sim \bigcirc$
●	1757 15 151 B	Pulley, Water Pump	1	$\frac{75}{1} \sim \Delta$
38	99796 0635	Bolt, Pulley	4	
39	1757 15 211 A	Spacer, Fan Drive	1	
40	1907 15 250	Fan & Fan Drive	1	
●	3900 15 250	Fan & Fan Drive	1	$\frac{74}{10} \sim \times$
41	1097 15 200	Fan, Cooling	1	
●	3900 15 200	Fan, Cooling	1	$\frac{74}{10} \sim \times$
42	1907 15 210	Fan Drive	1	
●	3900 15 210	Fan Drive	1	$\frac{47}{10} \sim \times$
43	99806 0620	Bolt, Fan & Fan Drive	4	
●	99796 0610	Bolt, Fan & Fan Drive	4	$\frac{74}{10} \sim \times$
	99971 0600	Washer, Spring	4	$\frac{74}{10} \sim$ Discarded
44	99796 0620	Bolt, Fan Drive	4	
45	1011 15 310 D	Radiator (Manual)	1	
	1011 15 310 F	Radiator (Manual)	1	From Car No. 1
	1757 15 310	Radiator (Manual)	1	$\frac{74}{2} \sim \times$
●	3565 15 310	Radiator (Manual)	1	$\frac{74}{10} \sim \times$
	1758 15 310	Radiator (Automatic)	1	
●	3567 15 310	Radiator (Automatic)	1	$\frac{74}{10} \sim \times$
46	0223 15 205	Cap	1	
	0766 15 205	Cap	1	$\frac{74}{2} \sim \times$

No.	Part Number	Description	Q'ty	Remarks
47	1011 15 317	Cock, Water Drain	1	
48	1011 15 311 A	Bracket, Radiator & Oil Cooler	2	
49	99901 0600	Nut, Bracket	12	
	99952 0600	Washer, Plain	12	
	99971 0600	Washer, Spring	12	
50	99786 0816	Bolt, Radiator	4	
	99952 0818	Washer, Plain	4	
51	1011 05 350 A	Tank, Sub	1	
51-1	0806 15 350	Tank, Sub	1	$\frac{7}{8}$ " ~ X
●	1052 15 350	Tank, Sub	1	$\frac{7}{16}$ " ~ O
●	1052 15 350 A	Tank, Sub	1	$\frac{7}{10}$ " ~ O
52	2981 15 205	Cap	1	$\frac{7}{8}$ " ~ Discarded
52-1	0488 15 251	Bracket, Sub Tank	1	$\frac{7}{8}$ " ~ Added Anew
53	99786 0612	Bolt, Sub Tank	2	
	99786 0614	Bolt, Sub Tank	2	$\frac{7}{8}$ " ~ X
●	99786 0612	Bolt, Sub Tank	2	$\frac{7}{16}$ " ~ O
54	99285 0800	Clip, Water Hose	2	
	99283 1300	Clip, Water Hose	2	$\frac{7}{8}$ " ~ X
55	1011 15 351 A	Hose, Water - Sub Tank	1	
	1751 15 351 A	Hose, Water - Sub Tank	1	$\frac{7}{8}$ " ~ X
56	99289 0701	Clip	2	
●	99289 0701	Clip	3	$\frac{7}{10}$ " ~ Q'ty
57	1769 15 411	Shroud, Radiator - Upper	1	
	1769 15 411 A	Shroud, Radiator - Upper	1	$\frac{7}{12}$ " ~ O
●	3565 15 411 A	Shroud, Radiator - Upper	1	$\frac{7}{10}$ " ~ X
58	1769 15 421	Shroud, Radiator - Lower	1	
	1769 15 421 A	Shroud, Radiator - Lower	1	$\frac{7}{12}$ " ~ O
●	3565 15 421 A	Shroud, Radiator - Lower	1	$\frac{7}{10}$ " ~ X
59	99796 0614	Screw, Tapping	4	
	99863 0516	Screw, Radiator Shroud	4	
●	99865 0516	Screw, Radiator Shroud	4	$\frac{7}{10}$ " ~ O
	99952 0500	Washer, Plain	4	$\frac{7}{16}$ " ~ Added Anew

COOLING SYSTEM

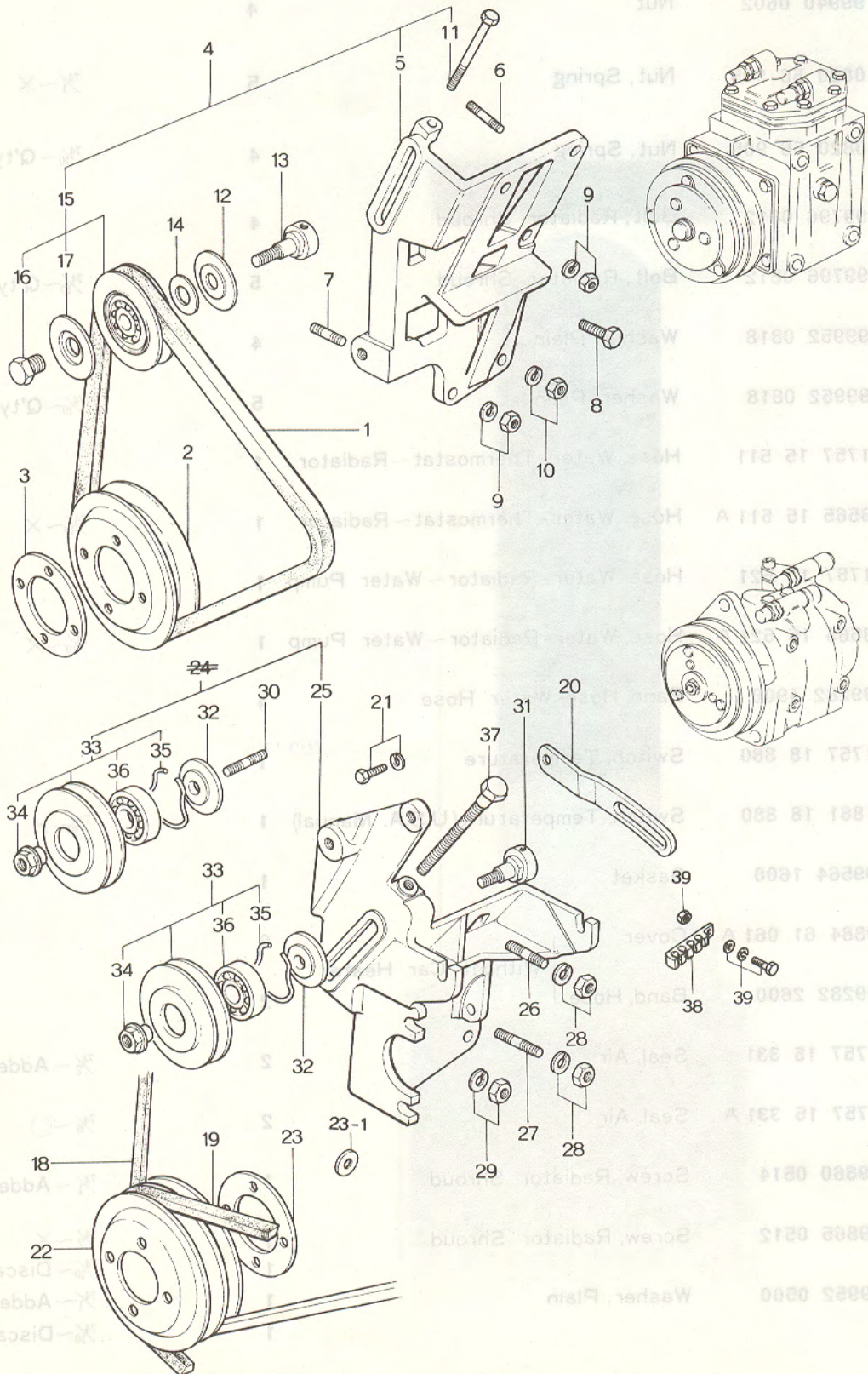
14

15

No.	Part Number	Description	Q'ty	Remarks
60	99940 0602	Nut	4	
	0820 56 905	Nut, Spring	5	$\frac{7}{16}$ ~X
●	0820 56 905	Nut, Spring	4	$\frac{7}{16}$ ~Q'ty
61	99796 0812	Bolt, Radiator Shroud	4	
●	99796 0812	Bolt, Radiator Shroud	5	$\frac{7}{16}$ ~Q'ty
	99952 0818	Washer, Plain	4	
●	99952 0818	Washer, Plain	5	$\frac{7}{16}$ ~Q'ty
62	1757 15 511	Hose, Water - Thermostat~Radiator	1	
●	3565 15 511 A	Hose, Water - Thermostat~Radiator	1	$\frac{7}{16}$ ~X
63	1757 15 521	Hose, Water - Radiator~Water Pump	1	
●	3565 15 521 A	Hose, Water - Radiator~Water Pump	1	$\frac{7}{16}$ ~X
64	99282 4900	Band, Hose- Water Hose	4	
65	1757 18 880	Switch, Temperature	1	
●	1881 18 880	Switch, Temperature (U.S.A. Manual)	1	$\frac{7}{16}$ ~X
66	99564 1600	Gasket	1	
67	0884 61 061 A	Cover	2	
68	99282 2600	Band, Hose	2	Without Car Heater
69	1757 15 331	Seal, Air	2	$\frac{7}{16}$ ~ Added Anew
●	1757 15 331 A	Seal, Air	2	$\frac{7}{16}$ ~○
● 70	99860 0514	Screw, Radiator Shroud	1	$\frac{7}{16}$ ~ Added Anew
	99865 0512	Screw, Radiator Shroud	1	$\frac{7}{16}$ ~X
			1	$\frac{7}{16}$ ~ Discarded
●	99952 0500	Washer, Plain	1	$\frac{7}{16}$ ~ Added Anew
			1	$\frac{7}{16}$ ~ Discarded

COMPRESSOR BRACKET & IDLE PULLEY

15



COMPRESSOR BRACKET & IDLE PULLEY

No.	Part Number	Description	Q'ty	Remarks
1	1757 15 906	Belt, "V"	1	
2	1757 15 911	Pulley, "V" - Belt	±	
	1757 15 911A	Pulley, "V" - Belt	1	From Car No. 1 $\frac{2}{3}$ ~Discarded
3	1757 15 912	Stiffener	1	$\frac{2}{3}$ ~Discarded
4	1757 15 920	Bracket Ass'y, Compressor	1	(Fig. No. 5 & 11 ~ 15 included)
5	1757 15 921	Bracket, Compressor	1	
6	99859 1025A	Stud, Bracket	1	
7	99859 1035A	Stud, Bracket	2	
8	99811 1022	Bolt, Bracket	1	
	99971 1000	Washer, Spring	1	With Air-Con. (W/O P.S.)
9	99921 1000	Nut, Bracket	3	
	99971 1000	Washer, Spring	3	
10	99921 1200	Nut, Bracket	1	
	99971 1200	Washer, Spring	1	
11	1757 15 966	Bolt, Adjust	1	
12	0839 61 964	Seal, Dust	1	
13	1757 15 967	Shaft, Adjust	1	
14	0839 61 968	Spacer	1	
15	1757 15 970	Pulley, Idle	1	
16	0839 61 963D	Shaft, Pulley	1	With Air-Con. (W/O P.S.)

COMPRESSOR BRACKET & IDLE PULLEY

No.	Part Number	Description	Q'ty	Remarks
17	0839 61 965	Seal, Dust	1	
18	1769 15 906	Belt, "V" - (With Air - Con.)	1	
19	3523 15 907	Belt, "V" - (W / O Air - Con.)	1	
20	1769 15 908	Strap	1	
21	99801 1018	Bolt, Strap	1	} With Air - Con.
	99971 1000	Washer, Spring	1	
22	1769 15 911	Pulley	1	
	1769 15 911A	Pulley	1	From Car No. 1 $\frac{7}{32}$ ~ Discarded
23	1757 15 912	Stiffener	1	$\frac{7}{32}$ ~ Discarded
23-1	3523 15 913	Spacer	2	From Car No. 1 ☆
24	1769 15 920	Bracket Ass'y	1	(Fig. No. 25 & 30 ~ 33 included) ☆
	3523 15 920	Bracket Ass'y	1	From Car No. 1 ☆
	3527 15 920	Bracket Ass'y (With P.S. & Air - Con.)	1	
25	1769 15 921	Bracket	1	With P.S. & With P.S. & Air - Con.
	1769 15 921A	Bracket	1	$\frac{7}{10}$ ~ X
26	99859 1025A	Stud, Bracket	1	} $\frac{7}{32}$ ~ Discarded
27	99859 1035A	Stud, Bracket	2	
28	99921 1000	Nut, Bracket	3	
	99811 1022	Bolt, Bracket	1	From Car No. 1 ~ Added Anew
	99971 1000	Washer, Spring	1	
	99971 1000	Washer, Spring	4	From Car No. 1 ~ Q'ty
29	99921 1200	Nut, Bracket	1	
	99971 1200	Washer, Spring	1	
30	1769 15 923	Bolt, Stud (With Air - Con.)	1	
31	3523 15 932	Shaft, Pulley	1	
32	1769 15 933	Collar	1	With P.S.
	3523 15 933	Collar	2	With P.S. & Air - Con.
			1	With P.S. $\frac{7}{10}$ ~ ○
			2	With P.S. & Air - Con. $\frac{7}{10}$ ~ ○

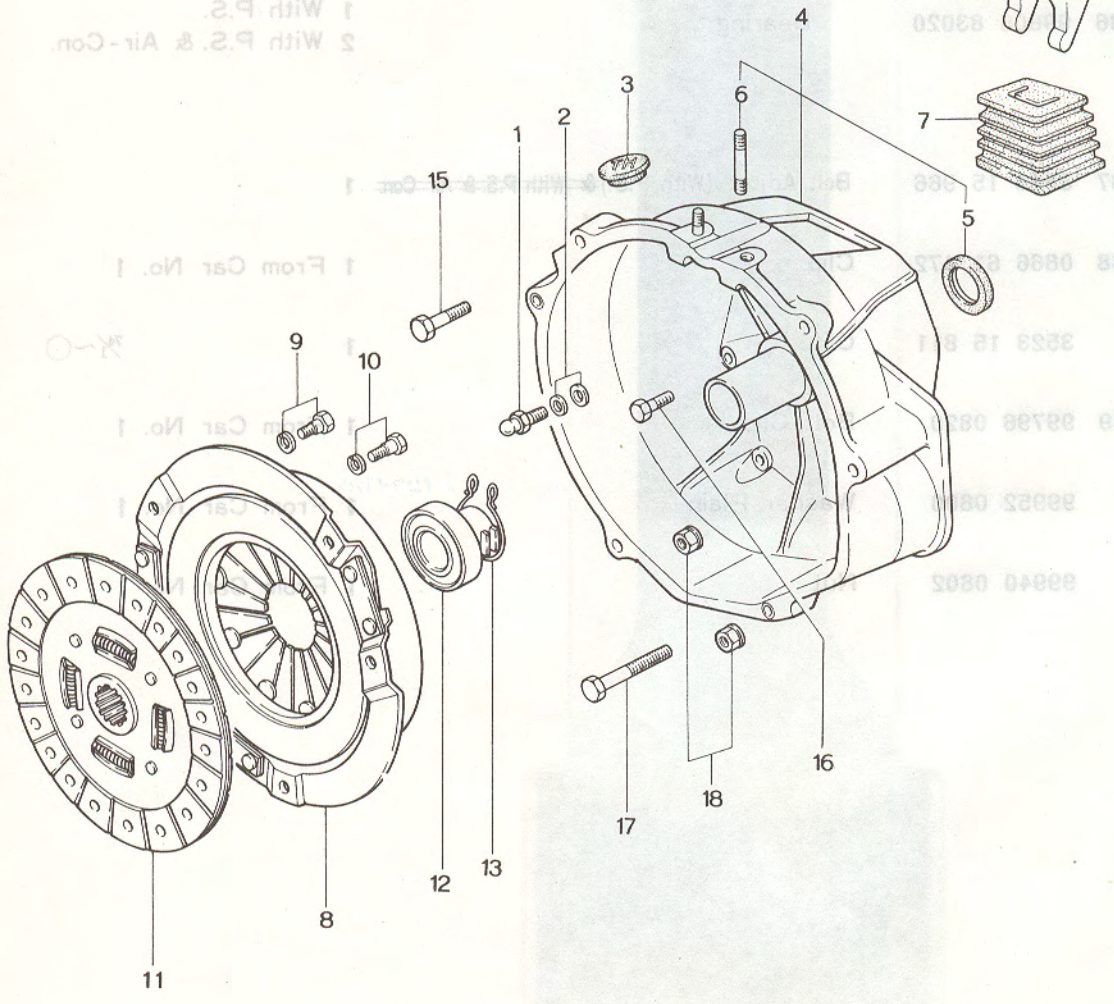
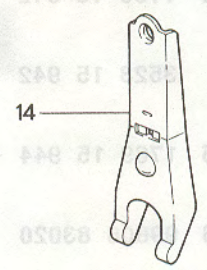
COMPRESSOR BRACKET & IDLE PULLEY

15

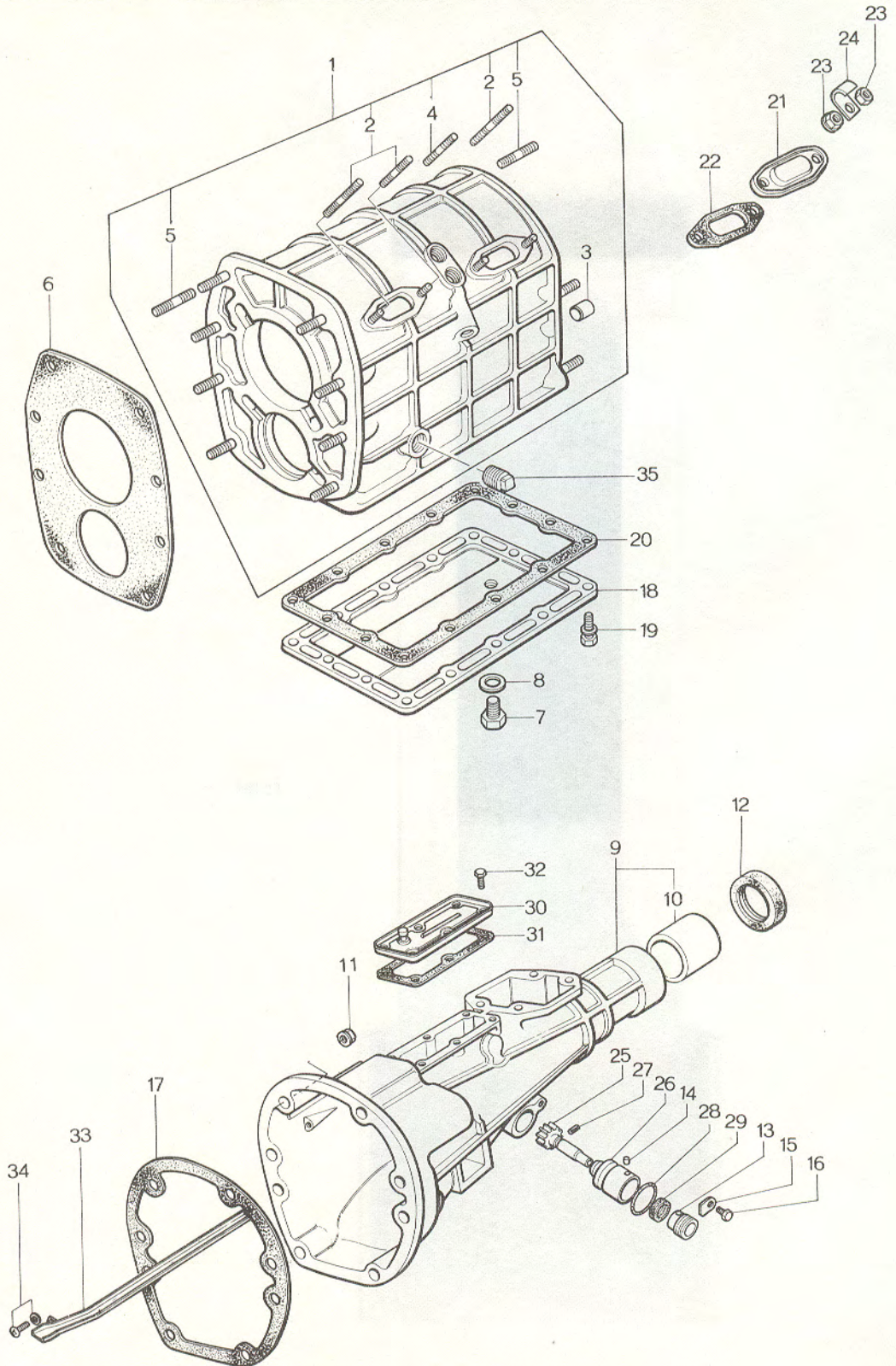
No.	Part Number	Description	Q'ty	Remarks
33	1769 15 940	Pulley, Idle	1	With P.S.
			2	With P.S. & Air - Con.
●	3523 15 940	Pulley, Idle	1	With P.S.
			2	With P.S. & Air - Con. } $\frac{73}{10} \sim \bigcirc$
34	1769 15 942	Collar "B"	1	With P.S.
			2	With P.S. & Air - Con.
●	3523 15 942	Collar "B"	1	With P.S.
			2	With P.S. & Air - Con. } $\frac{73}{10} \sim \bigcirc$
35	1769 15 944	Ring, Snap	1	With P.S.
			2	With P.S. & Air - Con.
36	99606 83020	Bearing	1	With P.S.
			2	With P.S. & Air - Con.
37	3523 15 966	Bolt, Adjust (With P.S.) & With P.S. & Air Con.	1	
●	38 0866 61 472	Clip	1	From Car No. 1
●	3523 15 811	Clip	1	$\frac{73}{10} \sim \bigcirc$
●	39 99796 0820	Bolt, Clip	1	From Car No. 1
●	99952 0800	Washer, Plain	1	From Car No. 1
●	99940 0802	Nut	1	From Car No. 1

CLUTCH (MANUAL)

No. Part Number	Description	Qty	Remarks
33 1789 15 940	Pulley, Idle	1	With P.S.
		2	With P.S. & Air-Con.
3523 15 940	Pulley, Idle	1	With P.S.
		2	With P.S. & Air-Con.
34 1789 15 942	Collar "B"	1	With P.S.
		2	With P.S. & Air-Con.
3523 15 942	Collar "B"	1	With P.S.
		2	With P.S. & Air-Con.
35 15 944	Pin, Snap	1	With P.S.
		2	With P.S. & Air-Con.
36 83020	Pin, Snap	1	With P.S.
		2	With P.S. & Air-Con.



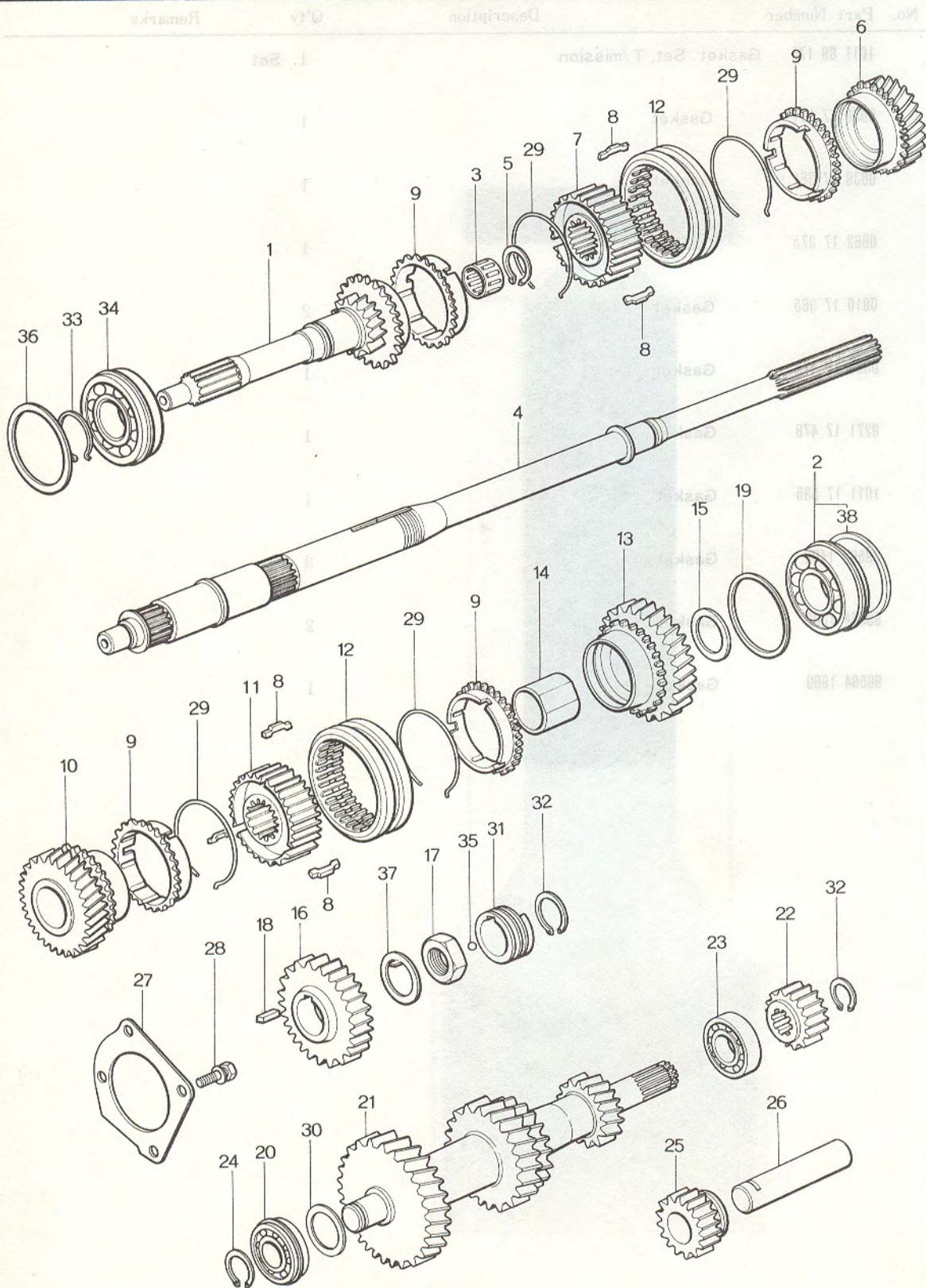
No.	Part Number	Description	Q'ty	Remarks
1	0603 16 102B	Pin, Pivot	1	
2	99953 1000	Washer, Plain	1	
	99971 1000	Washer, Spring	1	
3	0813 16 112	Cover, Top Hole	1	
4	1881 16 210A	Housing, Clutch	1	
5	0603 16 103	Oil Seal	1	
6	0222 16 105	Stud	2	
7	0866 16 214A	Cover, Dust	1	
8	1769 16 410	Cover, Clutch	1	
9	0839 16 432	Bolt, Reamer - Clutch Cover	2	
	99971 0800	Washer, Spring	2	
10	99573 78118	Bolt, Clutch Cover	4	
	99971 0800	Washer, Spring	4	
11	1769 16 460	Disc, Clutch	1	
●	1769 16 460A	Disc, Clutch	1	$\frac{3}{12} \sim \Delta$
12	0820 16 510	Collar, Clutch Release	1	
13	0820 16 515	Spring, Clutch Release Collar	1	
14	0454 16 520	Fork, Clutch Release	1	
15	99796 1045	Bolt, Clutch Housing	1	



No.	Part Number	Description	Q'ty	Remarks
1	1011 17 100B	Case, T/mission	1	
2	0839 17 105	Stud, Blind Cover	3	
3	99233 1225	Pin, Knock	2	
4	99852 0610	Stud, Blind Cover	1	
5	99855 1025	Stud, Front & Rear	14	
6	0839 17 111	Gasket, T/mission Case Front	1	
7	0810 17 121	Plug, Magnet	1	
8	99564 1800	Gasket, Magnet Plug	1	
9	1620 17 330A	Housing, Extension	1	
10	0398 22 333	Bush, Extension Housing	1	
11	99940 1001	Nut, Extension Housing+T/mission Case	6	
12	0376 17 335	Oil Seal, Extension Housing	1	
• 13	0437 17 335	Oil Seal, Extension Housing	1	Ord. By 0376 17 335 $\frac{3}{8}$ "~O
13	0862 17 351	Joint, Cable - Speedometer	1	
14	0187 17 352	Pin, Dowel - Speedometer Driven Gear	1	
15	0111 17 354	Plate, Lock - Cable Joint	1	
16	99796 0614	Bolt, Lock Plate	1	
17	0839 17 361	Gasket, Extension Housing & T/mission Case	1	

No.	Part Number	Description	Q'ty	Remarks
18	0862 17 371	Cover, Under	1	
19	99796 0620	Bolt, Under Cover	14	
20	0862 17 375	Gasket, Under Cover	1	
21	0810 17 381	Cover, Blind	2	
22	0810 17 385	Gasket, Blind Cover	2	
23	99906 0600	Nut, Blind Cover & Clip	6	
	99971 0600	Washer	4	
24	99276 0506	Clip, Wire Harness	2	
25	0862 17 441	Gear, Driven-Speedometer	1	
26	0862 17 442	Sleeve, Driven Gear	1	
27	99222 0216	Pin, Spring-Driven Gear	1	
28	99541 02211	Ring, "O"-Driven Gear	1	
29	99586 10207	Oil Seal, Driven Gear	1	
30	1011 17 530	Cover, Blind	1	
31	1011 17 535	Gasket, Blind Cover	1	
32	99796 0608	Bolt, Blind Cover	6	
33	1011 17 540A	Pass, Oil	1	
34	99806 0614	Bolt, Oil Pass	1	
	99971 0600	Washer, Spring	1	
35	99502 4000	Plug	1	

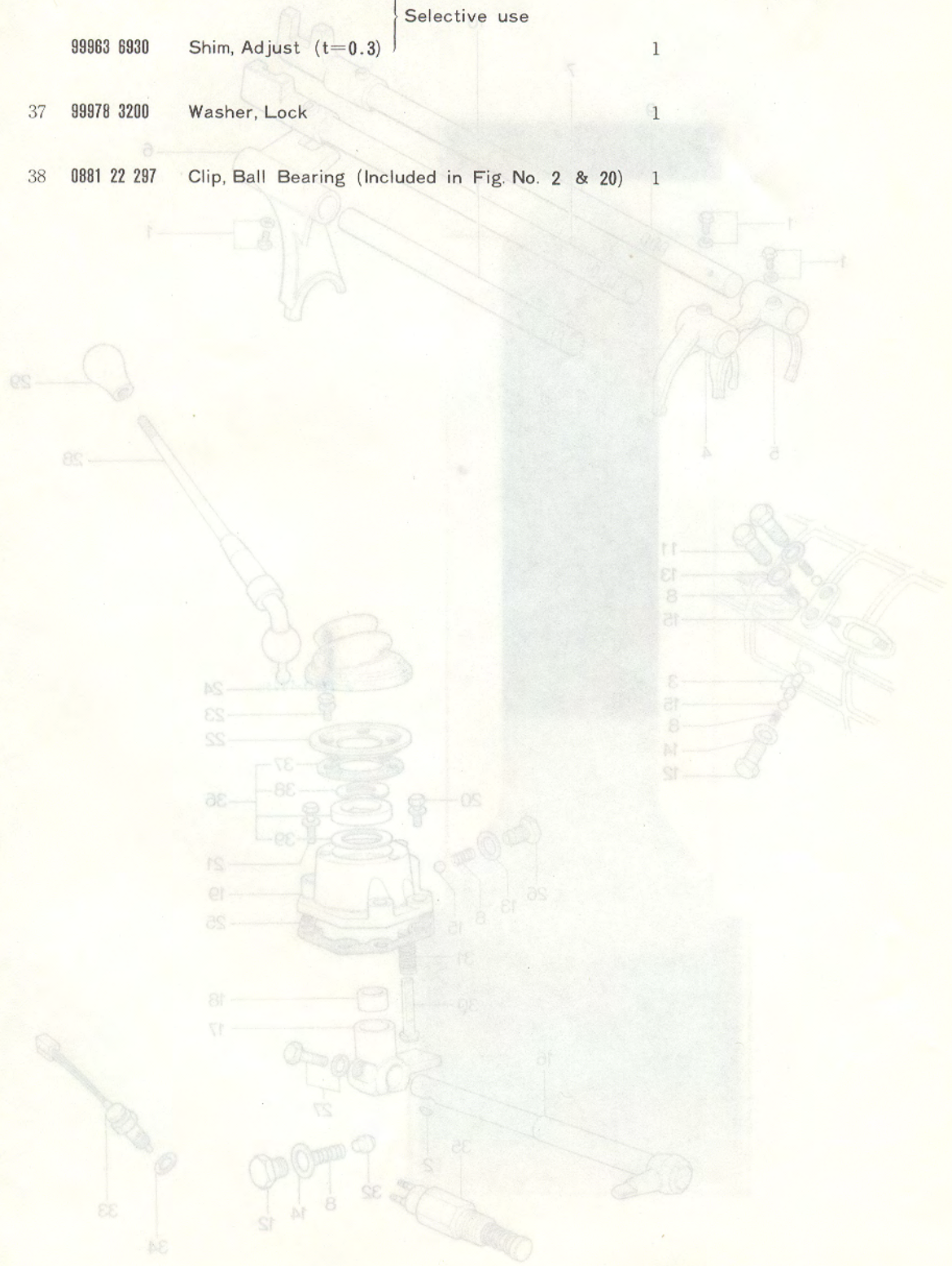
No.	Part Number	Description	Q'ty	Remarks
	1011 89 175	Gasket Set, T/mission	1	Set
	0839 17 111	Gasket	1	
	0839 17 361	Gasket	1	
	0862 17 375	Gasket	1	
	0810 17 385	Gasket	2	
	0303 17 474	Gasket	1	
	0271 17 478	Gasket	1	
	1011 17 535	Gasket	1	
	99562 1400	Gasket	3	
	99564 1000	Gasket	2	
	99564 1800	Gasket	1	

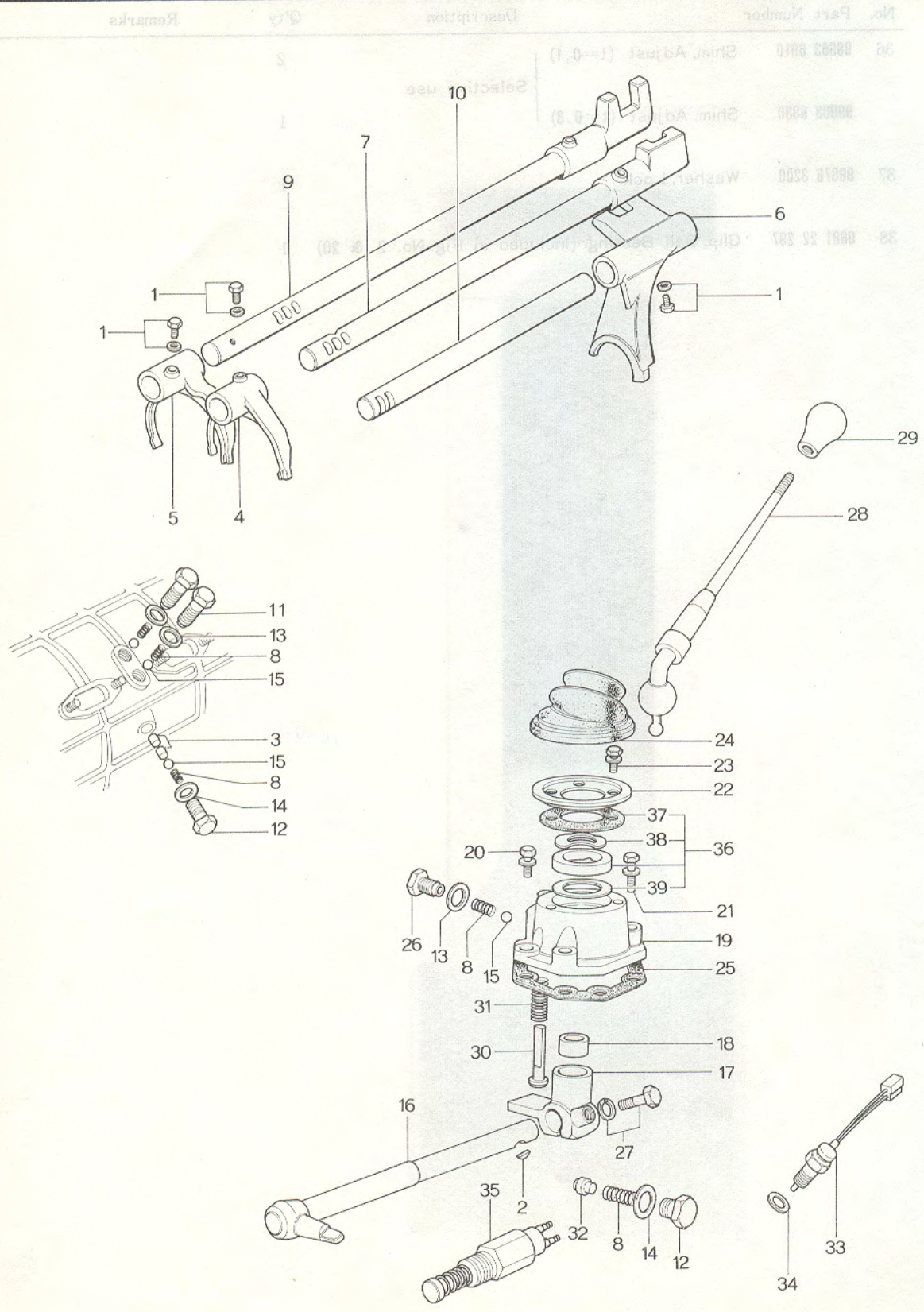


No.	Part Number	Description	Q'ty	Remarks
1	0862 17 201	Gear, Main Drive	1	
2	0810 17 204	Bearing, Ball (Fig. No. 38 Included)	1	
3	0810 17 205	Bearing, Needle Roller	1	
4	1011 17 221A	Shaft, Main	1	
5	0317 17 225	Ring, Snap	1	
6	0862 17 230	Gear (3 rd)	1	
7	0862 17 241	Hub, Clutch (3 rd & 4 th)	1	
8	0187 17 243	Key, Synchronizer	6	
9	0881 17 245B	Ring, Synchronizer	4	
10	0862 17 250	Gear (2 nd)	1	
11	0862 17 261	Hub, Clutch (1 st & 2 nd)	1	
12	0862 17 262A	Sleeve, Clutch Hub	2	
13	1011 17 270	Gear (1 st)	1	
14	0839 17 275	Sleeve, Gear	1	
15	0839 17 276	Washer, Thrust ($\ell = 2.5$)	1	Selective use
	0839 17 277	Washer, Thrust ($\ell = 3.0$)		
	0839 17 278	Washer, Thrust ($\ell = 3.5$)		
16	0839 17 281	Gear, Reverse	1	
17	0839 17 284	Nut, Lock	1	
18	0839 17 285	Key	1	

No.	Part Number	Description	Q'ty	Remarks
19	0839 17 287	Shim, Adjust (t=0.1)	2	} Selective use
	0839 17 288	Shim, Adjust (t=0.3)	1	
20	0821 17 297	Bearing, Ball (Fig. No. 38 included)	1	
21	1011 17 301	Gear, Counter Shaft	1	
22	0839 17 302	Gear, Reverse - Counter	1	
23	0821 17 303	Bearing, Needle	1	
24	0839 17 305	Ring, Snap	1	
25	0839 17 310	Gear, Idle - Reverse	1	
26	0839 17 313	Shaft, Reverse Idle Gear	1	
27	0839 17 321A	Stopper, Bearing	1	
28	99801 0820	Bolt, Bearing Stopper	4	
	99971 0800	Washer, Spring	4	
29	0600 17 324	Spring, Synchronizer	4	
30	0305 17 327	Shim, Adjust (t=0.1)	2	} Selective use
	0305 17 328	Shim, Adjust (t=0.3)	1	
31	0862 17 341	Gear, Drive - Speedometer	1	
32	99573 2500	Ring, Snap	2	
33	99573 3500	Ring, Snap	1	
34	99606 33070	Bearing, Ball	1	
35	99611 1500	Ball, Steel	1	

No.	Part Number	Description	Q'ty	Remarks
36	99963 6910	Shim, Adjust (t=0.1)	2	} Selective use
	99963 6930	Shim, Adjust (t=0.3)	1	
37	99978 3200	Washer, Lock	1	
38	0881 22 297	Clip, Ball Bearing (Included in Fig. No. 2 & 20)	1	





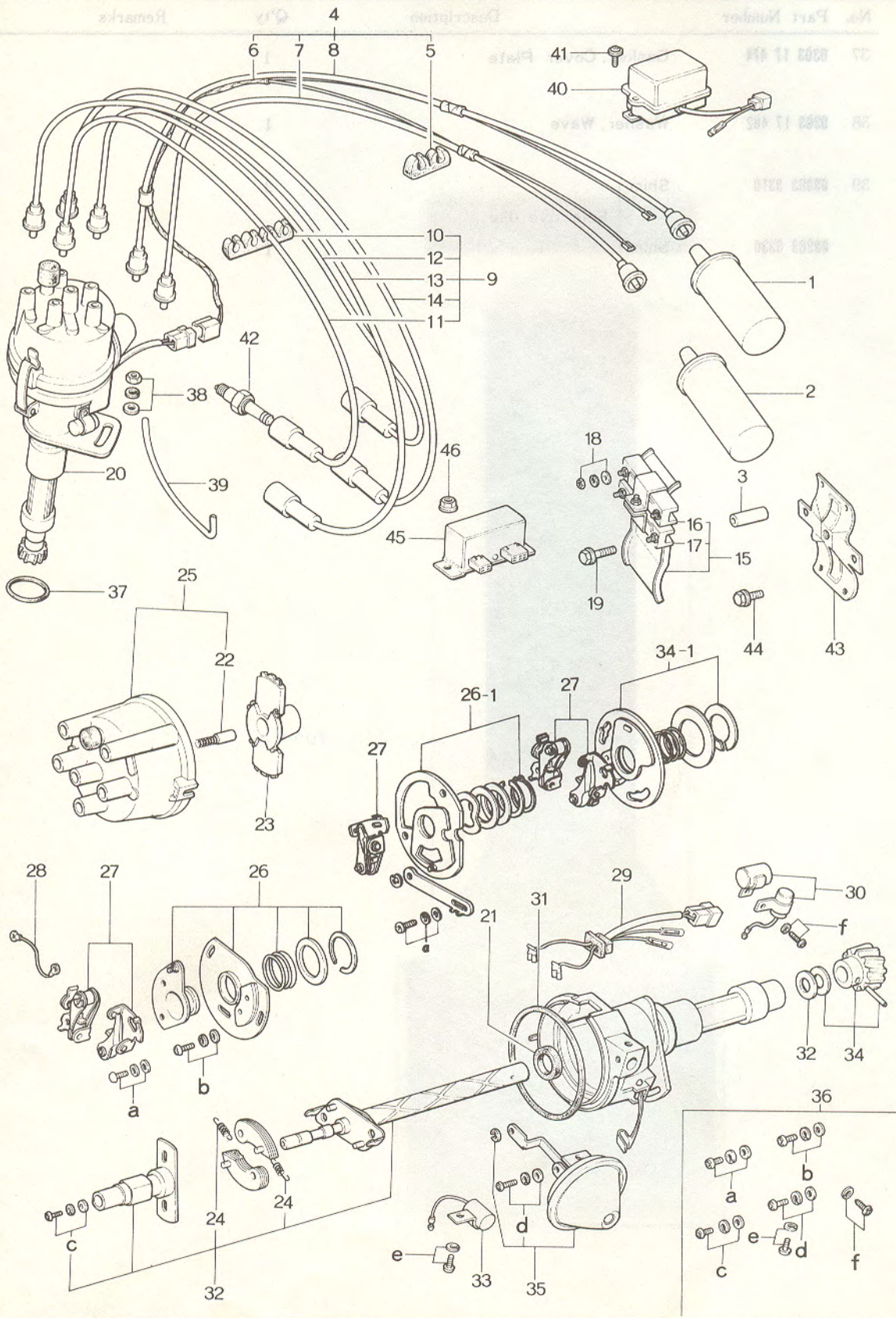
MANUAL T / MISSION (CHANGE CONTROLS)

17

No.	Part Number	Description	Q'ty	Remarks
1	0118 17 313	Screw, Shift Fork & Rod	3	
	99971 0601	Washer, Spring	3	
2	0111 17 323	Key, Control Lever	1	
3	0114 17 351	Pin, Interlock	2	
4	0810 17 402	Fork, Shift (1st & 2nd)	1	
5	0810 17 404	Fork, Shift (3rd & 4th)	1	
6	1011 17 406	Fork, Shift (Reverse)	1	
7	1011 17 410	Rod, Shift (1st & 2nd)	1	
●	1011 17 410A	Rod, Shift (1st & 2nd)	1	△~%
8	0103 17 411	Spring, Cap	5	
9	1011 17 420	Rod, Shift (3rd & 4th)	1	
10	0839 17 431	Rod, Shift (Reverse)	1	
11	0221 17 441	Plug, Cap - Spring	2	
12	0259 17 441	Plug, Cap - Spring	2	
13	99562 1400	Gasket, Cap Plug	4	
14	99564 1000	Gasket, Cap Plug	2	
15	99611 2500	Ball, Steel	4	
16	1620 17 450	Lever, Control	1	
17	0398 17 461A	End, Control Rod	1	
18	0398 17 462A	Seat, Spring	1	
19	0303 17 470	Case, Change Control	1	

No.	Part Number	Description	Q'ty	Remarks
20	99796 0822	Bolt, Change Control Case	2	
21	99796 0832	Bolt, Change Control Case	2	
22	0221 17 473	Plate, Cover	1	
●	0647 17 473	Plate, Cover	1	$\frac{3}{4}$ "~O
23	99806 0614	Bolt, Cover Plate	3	
●	99796 0612	Bolt, Cover Plate	3	$\frac{3}{4}$ "~X
	99971 0600	Washer, Spring	3	
24	0221 17 475B	Boot, Dust	1	
●	0882 17 475	Boot, Dust	1	$\frac{3}{4}$ "~O
25	0271 17 478	Gasket, Change Control Case	1	
26	0183 17 491	Plug, Cap - Spring	1	
27	0187 17 492	Bolt, Reamer - Control Rod End	1	
	99971 0800	Washer, Spring	1	
28	1769 17 510	Lever, Change	1	
●	1769 17 510A	Lever, Change	1	From Car No. 1
29	8886 17 520	Knob, Change Lever (Sedan & Station Wagon)	1	
●	1931 17 520	Knob, Change Lever	1	From Car No. 1
30	0221 17 551A	Spindle, Select Lock	1	
31	0221 17 552	Spring, Select Lock Spindle	1	
32	0303 17 561	Piece, Friction	1	
33	1114 17 630	Switch, Neutral	1	
●	1769 17 630	Switch, Neutral	1	$\frac{3}{4}$ "~X
34	99564 1800	Gasket, Neutral Switch	1	
35	0376 17 640A	Switch, Reverse Lamp	1	
36	0305 99 178	Change Bush Set	1	

No.	Part Number	Description	Q'ty	Remarks
37	0303 17 474	Gasket, Cover Plate	1	
38	0303 17 482	Washer, Wave	1	
39	99963 3310	Shim	3	Selective use
	99963 3330	Shim	1	

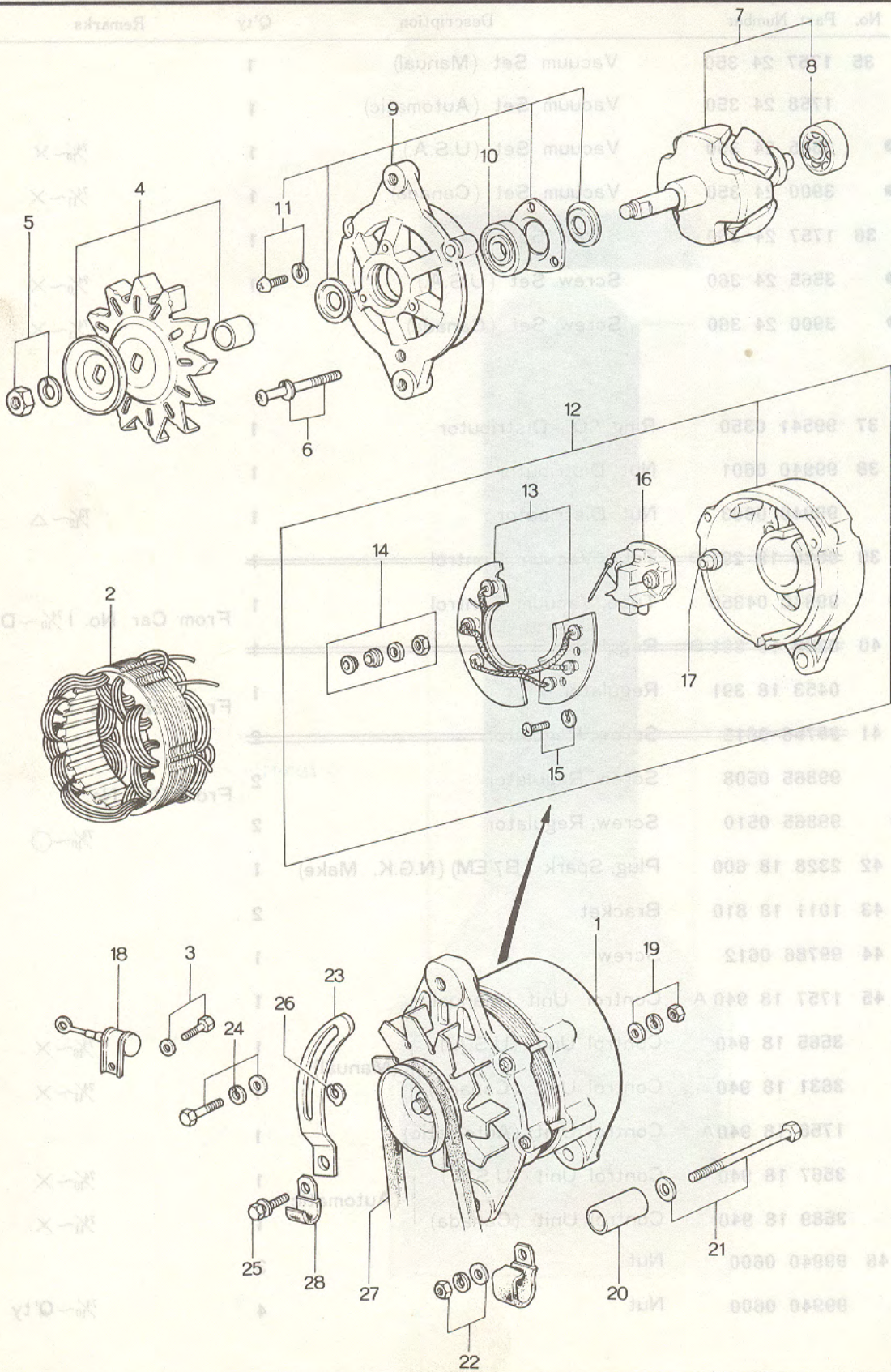


No.	Part Number	Description	Q'ty	Remarks
1	1562 18 100	Coil, Ignition (HP 5 - 13E)	1	
•	1562 18 100A	Coil, Ignition (HP 5 - 13E)	1	$\frac{7}{10} \sim \bigcirc$
2	1672 18 100	Coil, Ignition (HP 5 - 13J)	1	
3	0866 18 107	Pipe	1	
	0823 18 107	Pipe	1	From Car No. 1
4	1757 18 110	Cord, High Tension	1	
	1757 18 110A	Cord, High Tension	1	$\frac{7}{2} \sim \Delta$
•	3565 18 110	Cord, High Tension (U.S.A.)	1	$\frac{7}{10} \sim \times$
•	3631 18 110	Cord, High Tension (Canada)	1	$\frac{7}{11} \sim \times$
5	0820 18 111B	Supporter, High Tension	1	
6	1757 18 115	Cord	1	
	1757 18 115A	Cord	1	$\frac{7}{2} \sim \Delta$
•	3565 18 115	Cord (U.S.A.)	1	$\frac{7}{10} \sim \times$
•	3631 18 115	Cord (Canada)	1	$\frac{7}{11} \sim \times$
7	1757 18 120	Cord, High Tension (Trailing)	1	
8	1757 18 160	Cord, High Tension (Leading)	1	
9	1757 18 150	Cord, High Tension	1	
	1757 18 150B	Cord, High Tension	1	$\frac{7}{12} \sim \Delta$
	1757 18 150C	Cord, High Tension	1	$\frac{7}{1} \sim \Delta$
10	0820 18 114	Supporter, High Tension	1	
11	1757 18 130	Cord, High Tension (T-1)	1	
	1757 18 130A	Cord, High Tension (T-1)	1	$\frac{7}{1} \sim \Delta$
12	1757 18 140	Cord, High Tension (T-2)	1	
	1757 18 140A	Cord, High Tension (T-2)	1	$\frac{7}{1} \sim \Delta$
13	1757 18 170	Cord, High Tension (L-1)	1	
	1757 18 170A	Cord, High Tension (L-1)	1	$\frac{7}{1} \sim \Delta$
14	1757 18 180	Cord, High Tension (L-2)	1	
	1757 18 180A	Cord, High Tension (L-2)	1	$\frac{7}{1} \sim \Delta$
15	1011 18 190	Bracket, Ignition Coil	1	
•	1011 18 190A	Bracket, Ignition Coil	1	$\frac{7}{6} \sim \bigcirc$
16	0845 18 101	Resistor	1	
17	0866 18 101	Resistor	1	

No.	Part Number	Description	Q'ty	Remarks
18	99906 0500	Nut, Ignition Coil & Resistor Terminal	6	
	99952 0500	Washer, Plain	6	
	99971 0500	Washer, Spring	6	
19	99786 0845	Bolt, Ignition Coil Bracket	1	
	99786 0850	Bolt, Ignition Coil Bracket	1	From Car No. 1
	99952 0822	Washer, Plain	1	From Car No. 1
20	1757 18 200	Distributor	1	
	1757 18 200A	Distributor (Manual)	1	$\frac{7}{2}$ ~○
	1758 18 200	Distributor	1	
	1758 18 200A	Distributor (Automatic)	1	$\frac{7}{2}$ ~○
●	3565 18 200	Distributor (U.S.A.)	1	$\frac{7}{10}$ ~×
●	3587 18 200	Distributor (Canada)	1	$\frac{7}{11}$ ~×
21	0107 18 216A	Oil Seal	1	
22	1757 24 302	Contact	1	
23	1757 24 303	Rotor	1	
24	1757 24 308	Spring Set	1	
●	0895 24 308	Spring Set (Canada)	1	$\frac{7}{11}$ ~×
●	3565 24 308	Spring Set (U.S.A.)	1	$\frac{7}{10}$ ~×
25	1757 24 310	Cap	1	
26	1757 24 313	Base, Breaker	1	
● 26-1	1219 24 313	Base, Breaker (U.S.A.)	1	$\frac{7}{10}$ ~
27	1757 24 314	Support, Arm	2	
●	1757 24 314	Support, Arm (U.S.A.)	3	$\frac{7}{10}$ ~ Q'ty
28	1757 24 317	Wire (E), Lead	1	
29	1757 24 319	Wire, Lead	1	
●	1219 24 319	Wire, Lead (U.S.A.)	1	$\frac{7}{10}$ ~×
30	1757 24 322	Condenser	2	
●	1757 24 322	Condenser (U.S.A.)	3	$\frac{7}{10}$ ~ Q'ty
31	1757 24 328	Gasket	1	
32	1757 24 330	Governor Set	1	
●	3565 24 330	Governor Set (U.S.A.)	1	$\frac{7}{10}$ ~×
●	3900 24 330	Governor Set (Canada)	1	$\frac{7}{11}$ ~×
33	1757 24 334	Condenser	1	
34	1757 24 340	Coupling Set	1	
● 34-1	1219 24 323	Base, Breaker (U.S.A.)	1	$\frac{7}{10}$ ~ Added Anew

No.	Part Number	Description	Q'ty	Remarks
35	1757 24 350	Vacuum Set (Manual)	1	
	1758 24 350	Vacuum Set (Automatic)	1	
●	3565 24 350	Vacuum Set (U.S.A.)	1	$\frac{74}{10} \sim \times$
●	3900 24 350	Vacuum Set (Canada)	1	$\frac{74}{11} \sim \times$
36	1757 24 360	Screw Set	1	
●	3565 24 360	Screw Set (U.S.A.)	1	$\frac{74}{10} \sim \times$
●	3900 24 360	Screw Set (Canada)	1	$\frac{74}{11} \sim \times$
37	99541 0350	Ring, "O" - Distributor	1	
38	99940 0601	Nut, Distributor	1	
	99940 0603	Nut, Distributor	1	$\frac{73}{12} \sim \triangle$
39	0820 19 291 B	Tube, Vacuum Control	1	
●	99340 04350	Tube, Vacuum Control	1	From Car No. I $\frac{74}{10} \sim$ Discarded
40	0259 10 391 B	Regulator	1	
	0453 18 391	Regulator	1	From Car No. I
41	09786 0612	Screw, Regulator	2	
	99865 0508	Screw, Regulator	2	From Car No. I
●	99865 0510	Screw, Regulator	2	$\frac{74}{10} \sim \circ$
42	2328 18 600	Plug, Spark (B7EM) (N.G.K. Make)	1	
43	1011 18 810	Bracket	2	
44	99786 0612	Screw	1	
45	1757 18 940 A	Control Unit (Manual)	1	
●	3565 18 940	Control Unit (U.S.A.)	1	$\frac{74}{10} \sim \times$
●	3631 18 940	Control Unit (Canada)	1	$\frac{74}{11} \sim \times$
	1758 18 940A	Control Unit (Automatic)	1	
●	3567 18 940	Control Unit (U.S.A.)	1	$\frac{74}{10} \sim \times$
●	3589 18 940	Control Unit (Canada)	1	$\frac{74}{11} \sim \times$
46	99940 0600	Nut	3	
●	99940 0600	Nut	4	$\frac{74}{10} \sim$ Q'ty

ALTERNATOR



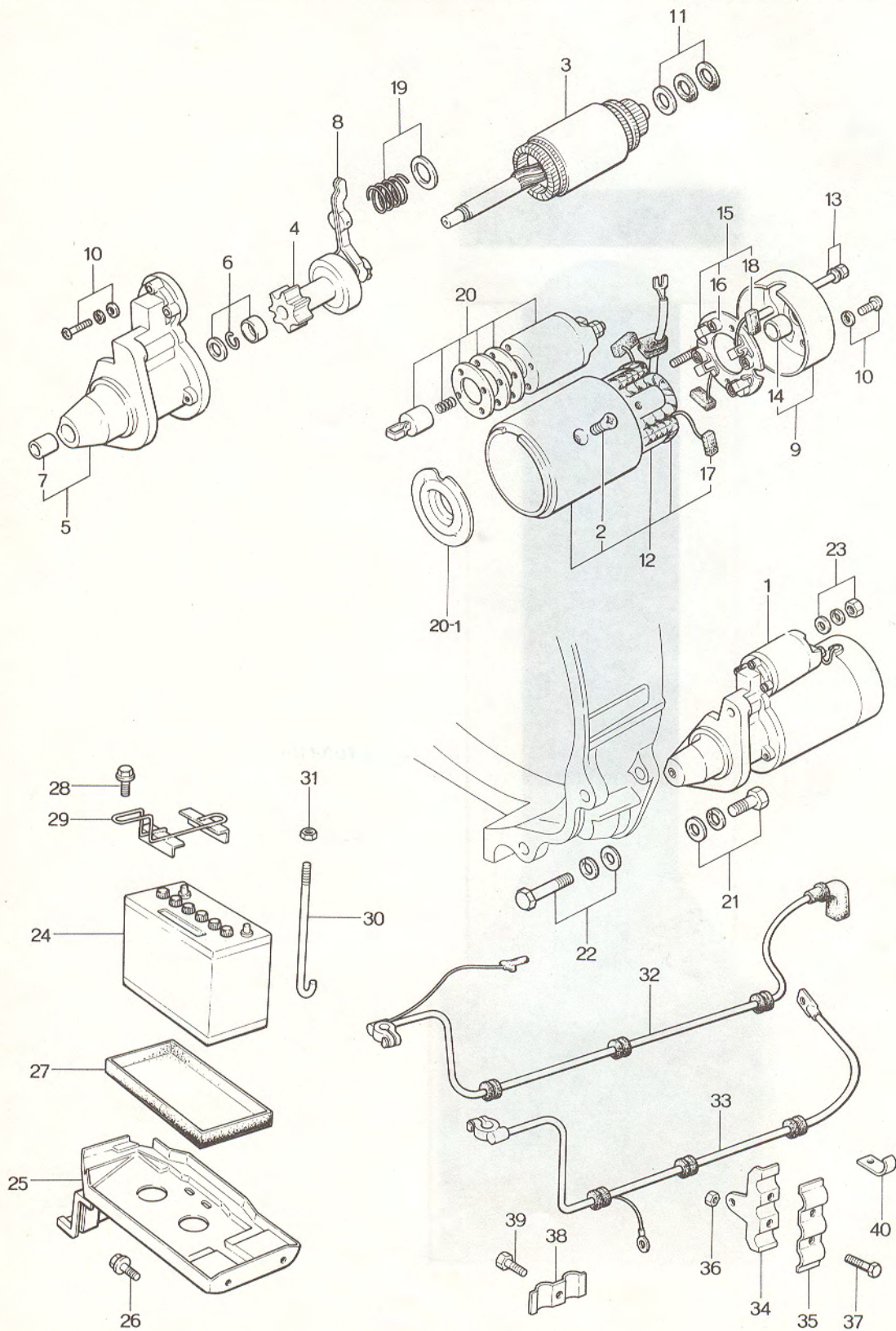
ALTERNATOR

18

24

No.	Part Number	Description	Q'ty	Remarks
1	1757 18 300	Alternator	1	From Car No. 1
●	1757 18 300A	Alternator	1	From Car No. 1
2	1757 24 501	Stator	1	
3	1757 24 527	Screw	1	
4	1757 24 530	Pulley	1	
5	0866 24 533	Nut Set	1	
6	1757 24 535	Screw Set	1	
7	1757 24 540	Rotor (Fig. No. 8 included)	1	
8	0820 24 503	Bearing	1	
9	1757 24 550	Bracket, Front (Fig. No. 10 & 11 included)	1	
10	0208 24 514	Bearing	1	
11	1757 24 526	Screw	3	
12	1757 24 560	Bracket, Rear (Fig. No. 13~17 included)	1	
13	1757 24 510	Rectifier Ass'y	1	
14	1757 24 533	Nut Set	1	
15	1757 24 534	Screw	1	
16	1011 24 541	Holder, Brush	1	
17	1011 24 563	Mould	1	
18	1757 24 581	Condenser	1	
19	99906 0600	Nut, Alternator Terminal	1	From Car No. 1
●	99906 0600	Nut, Alternator Terminal	1	From Car No. 1

No.	Part Number	Description	Q'ty	Remarks
●	99952 0500	Washer, Plain	1	
●	99952 0600	Washer, Plain	1	From Car No. 1
●	99971 0500	Washer, Spring	1	
●	99971 0600	Washer, Spring	1	From Car No. 1
20	1757 18 311	Spacer, Alternator	1	
21	99800 10115	Bolt, Alternator	1	
22	99940 1001	Nut, Alternator	1	
23	1757 18 361	Strap, Alternator	1	
●	1757 18 361 A	Strap, Alternator	1	From Car No. 1
24	99796 0825	Bolt, Strap	1	
25	99796 0816	Bolt, Alternator	1	
●	99796 0820	Bolt, Alternator	1	} $\frac{7}{12} \sim \triangle$
●	99952 0818	Washer, Plain	1	
26	0222 18 375	Shim (t=0.3)	} Selective use	
	0222 18 376	Shim (t=0.5)		1
	0222 18 377	Shim (t=0.7)		
27	1757 18 381	Belt, "V"	1	
28	99276 1608	Clip, Wire Harness	1	
●	99276 2008	Clip, Wire Harness	2	$\frac{7}{11} \sim \triangle$



STARTER & BATTERY

18 ~ 67

No.	Part Number	Description	Q'ty	Remarks
1	1757 18 400A	Starter (Manual)	1	
•	1757 18 400B	Starter (Manual)	1	$\frac{7}{10}$ ~ X
	1758 18 400	Starter (Automatic)	1	
	1758 18 400A	Starter (Automatic)	1	$\frac{7}{8}$ ~ △
•	1758 18 400B	Starter (Automatic)	1	$\frac{7}{4}$ ~ ○
2	0866 24 704	Screw	4	
3	1757 24 705	Armature (Manual)	1	
	1758 24 705	Armature (Automatic)	1	
4	1757 24 709	Clutch, Over Running	1	
5	1757 24 710	Bracket, Front (Manual)	1	
•	1757 24 710A	Bracket, Front (Manual)	1	$\frac{7}{10}$ ~ X
	1758 24 710	Bracket, Front (Automatic)	1	
6	0426 24 712	Stopper Set, Piston	1	
7	0426 24 715	Sleeve	1	
8	0866 24 716	Lever	1	
9	0845 24 720	Bracket, Rear	1	
10	0426 24 725	Screw Set	1	
11	0426 24 726	Washer Set (Manual)	1	
	1758 24 726	Washer Set (Automatic)	1	
12	1757 24 730	Yoke (Manual)	1	
	1758 24 730	Yoke (Automatic)	1	
•	1758 24 730A	Yoke (Automatic)	1	$\frac{7}{4}$ ~ △
13	0426 24 731	Bolt Set (Manual)	1	
	1758 24 731	Bolt Set (Automatic)	1	
14	0222 24 741	Sleeve	1	
15	0222 24 750	Holder (Manual)	1	
	1758 24 750	Holder (Automatic)	1	
16	0222 24 752A	Spring, Brush	4	} (Manual)
17	0222 24 753	Brush	2	
18	0426 24 753	Brush	2	
19	0426 24 754	Spring Set	1	
20	0324 24 760	Switch, Starter (Manual)	1	
	1758 24 736	Switch, Starter (Automatic)	1	
20-1	1758 24 706	Bracket, Center (Automatic)	1	

STARTER & BATTERY

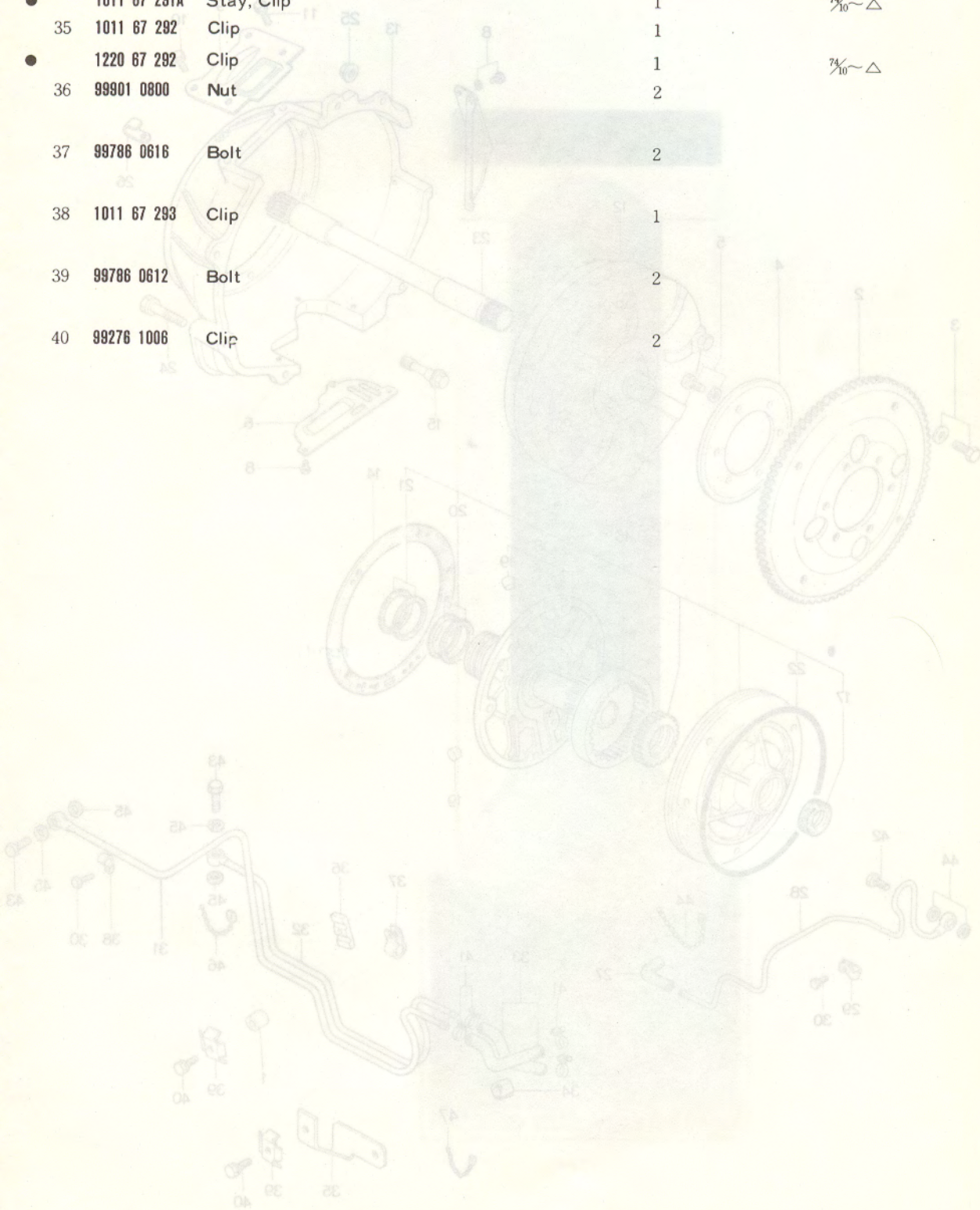
No.	Part Number	Description	Q'ty	Remarks
21	99801 1035	Bolt, Starter (Manual)	1	
•	99801 1032	Bolt, Starter (Manual)	1	$\frac{7}{4} \sim \times$
	99801 1032	Bolt, Starter (Automatic)	1	
	99971 1000	Washer, Spring	1	
22	99803 10120	Bolt, Starter (Manual)	1	
	99801 1075	Bolt, Starter (Automatic)	1	
	99953 1000	Washer, Plain	1	
	99971 1000	Washer, Spring	1	
23	99901 0800	Nut, Starter Terminal	1	
	99952 0800	Washer, Plain	1	
	99971 0800	Washer, Spring	1	
24	1672 18 520	Battery (N70Z) (National Make)	1	} Selective use } (U. S. A. & Canada Manual)
	1620 18 520	Battery (N70Z) (G.S. Make)	1	
	1689 18 520	Battery (Y110-5) (Yuasa Make)	1	
25	1011 53 260 A	Carrier, Battery	1	
•	1011 53 260 B	Carrier, Battery	1	From Car No. 1
26	99796 0612	Bolt, Battery Carrier	4	
	99952 0618	Washer, Plain	4	
27	2981 54 222	Tray, Battery	1	
	2113 54 295	Tray, Battery (Canada Automatic)	1	
28	99786 0620	Bolt, Battery Clamp	1	
	99952 0618	Washer, Plain	1	
29	1015 56 030	Clamp, Battery	1	
30	0243 56 231	Bolt, Clamp	1	
	0614 70 445	Bolt, Clamp	1	$\frac{7}{2} \sim \bigcirc$
31	99940 0601	Nut	1	
•	99940 0602	Nut	1	$\frac{7}{6} \sim \bigcirc$
32	1712 67 250	Cable, Battery Positive	1	
	3523 67 250	Cable, Battery Positive (With Power Steering)	1	
	1712 67 250	Cable, Battery Positive	1	$\frac{7}{12} \sim \times$
33	1007 67 260 A	Wire, Battery Earth	1	

STARTER & BATTERY

18

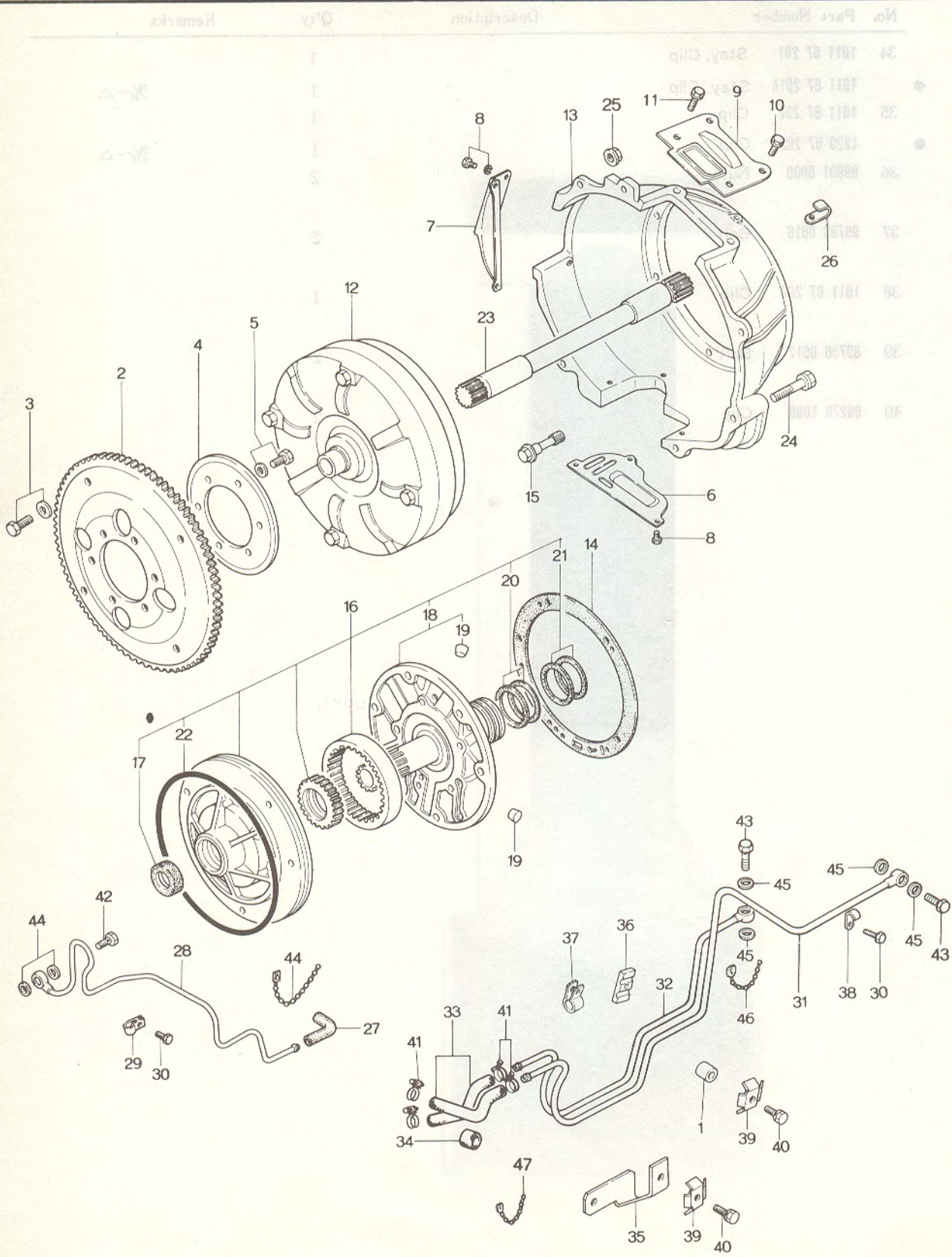
67

No.	Part Number	Description	Q'ty	Remarks
34	1011 67 291	Stay, Clip	1	
●	1011 67 291A	Stay, Clip	1	$\frac{7}{10} \sim \Delta$
35	1011 67 292	Clip	1	
●	1220 67 292	Clip	1	$\frac{7}{10} \sim \Delta$
36	99901 0800	Nut	2	
37	99786 0616	Bolt	2	
38	1011 67 293	Clip	1	
39	99786 0612	Bolt	2	
40	99276 1006	Clip	2	



AUTOMATIC T/MISSION

(CONVERTER, OIL PUMP & PIPING)



AUTOMATIC T/MISSION (CONVERTER, OIL PUMP & PIPING)

No.	Part Number	Description	Q'ty	Remarks
1	2850 13 331	Spacer, Oil Pipe	1	
2	1758 19 020	Plate, Drive	1	
●	1758 19 020A	Plate, Drive	1	7/8 ~ Δ
3	99781 1012	Bolt, Drive Plate	4	
	99971 1000	Washer, Spring	4	
4	0842 19 025	Plate, Backing	1	
5	99781 1018	Bolt, Backing Plate	6	
	99971 1000	Washer, Spring	6	
6	1908 19 027	Cover, Under	1	
7	0454 19 028	Cover, Side	1	
●	0454 19 028A	Cover, Side	1	7/8 ~ X
8	99796 0610	Bolt, Under & Side Cover	7	
9	1758 19 028	Cover, Top	1	
10	99796 0610	Bolt, Top Cover	1	
11	99796 0816	Bolt, Top Cover	2	
12	0338 19 100A	Converter, Torque	1	
13	1758 19 211A	Housing, Converter	1	
14	1758 19 215	Gasket, Oil Pump	1	
15	0338 19 216	Bolt, Housing	6	
16	1758 19 220	Pump, Oil	1	
17	0338 19 223	Oil Seal	1	

AUTOMATIC T / MISSION

(CONVERTER, OIL PUMP & PIPING)

No.	Part Number	Description	Q'ty	Remarks
18	1758 19 240	Cover	1	
19	0338 19 245A	Ball	2	
20	0338 19 256	Ring, Seal	2	
21	0338 19 257	Ring, Seal	2	
22	0338 19 258	Seal, Lathe Cut Ring	1	
23	0338 19 678	Shaft, Input	1	
24	99796 1035	Bolt, Housing	2	
	99796 1040	Bolt	1	
	99796 1045	Bolt	1	
25	99940 1001	Nut, Housing	1	
26	99276 0806	Clip	1	
● X	99276 1006	Clip	1	$\frac{7}{16}$ ~○
27	0338 19 904A	Hose, Vacuum (Rr.)	1	
28	0808 19 910	Pipe, Vacuum	1	
29	0842 19 915A	Clip, Vacuum Pipe	2	
30	99796 0610	Bolt, Clip	3	
31	1758 19 920A	Pipe, Oil	1	
●	1758 19 920B	Pipe, Oil	1	$\frac{7}{16}$ ~X
32	1758 19 930A	Pipe, Oil	1	
●	1758 19 930B	Pipe, Oil	1	$\frac{7}{16}$ ~X
33	1758 19 933	Hose, Oil	2	
●	1758 19 933A	Hose, Oil	2	$\frac{7}{16}$ ~X
34	1098 19 939	Guide, Oil Hose	2	
●	1098 19 939	Guide, Oil Hose	3	$\frac{7}{16}$ ~Q'ty
● 35	1758 19 940	Bracket, Pipe	1	$\frac{7}{16}$ ~Discarded
36	1015 19 945A	Plate, Spacer	1	

AUTOMATIC T/MISSION

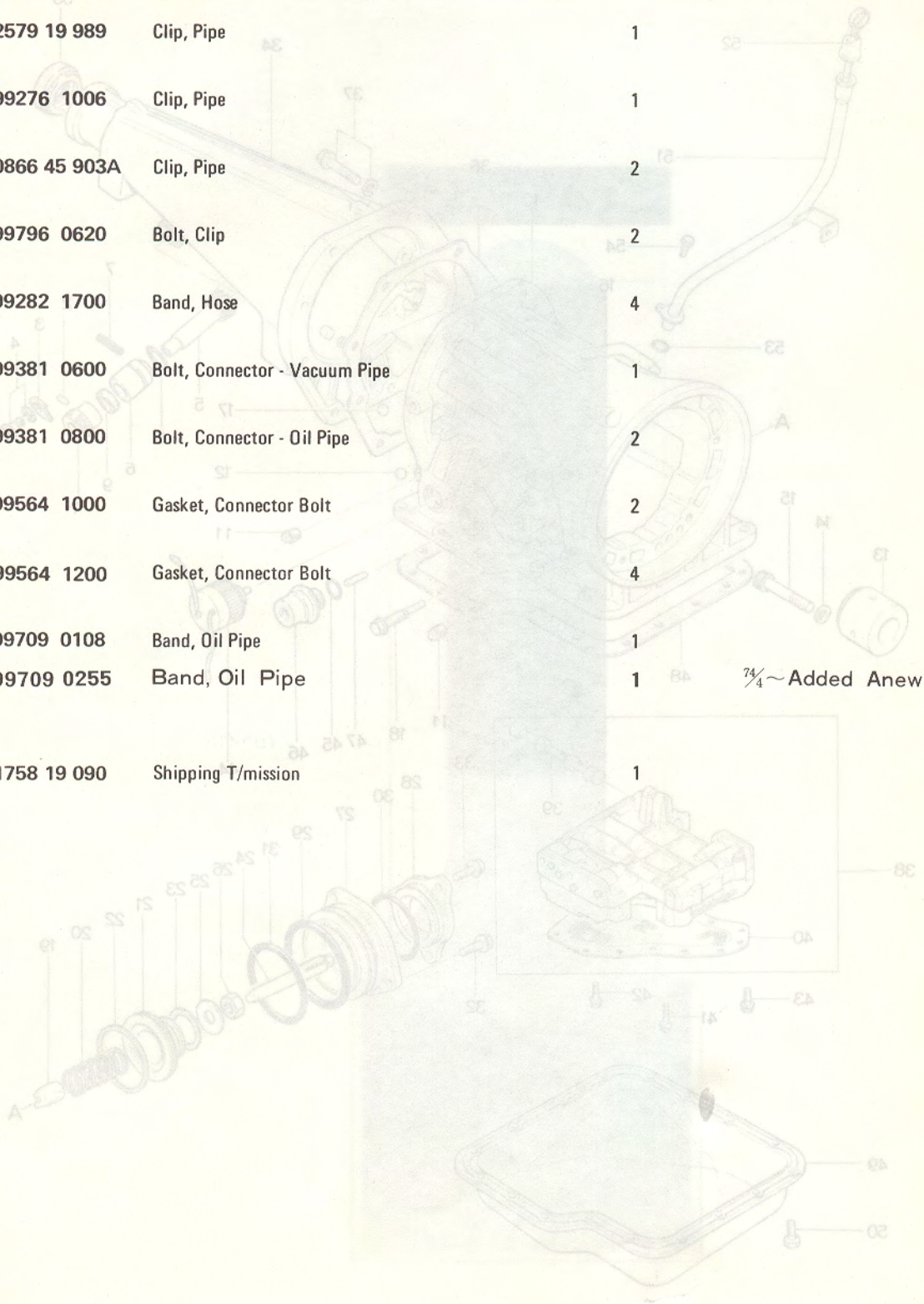
(CONVERTER, OIL PUMP & PIPING)

No.	Part Number	Description	Q'ty	Remarks
37	2579 19 989	Clip, Pipe	1	
38	99276 1006	Clip, Pipe	1	
39	0866 45 903A	Clip, Pipe	2	
40	99796 0620	Bolt, Clip	2	
41	99282 1700	Band, Hose	4	
42	99381 0600	Bolt, Connector - Vacuum Pipe	1	
43	99381 0800	Bolt, Connector - Oil Pipe	2	
44	99564 1000	Gasket, Connector Bolt	2	
45	99564 1200	Gasket, Connector Bolt	4	
46	99709 0108	Band, Oil Pipe	1	
● 47	99709 0255	Band, Oil Pipe	1	$\frac{7}{8}$ " ~ Added Anew

1758 19 090

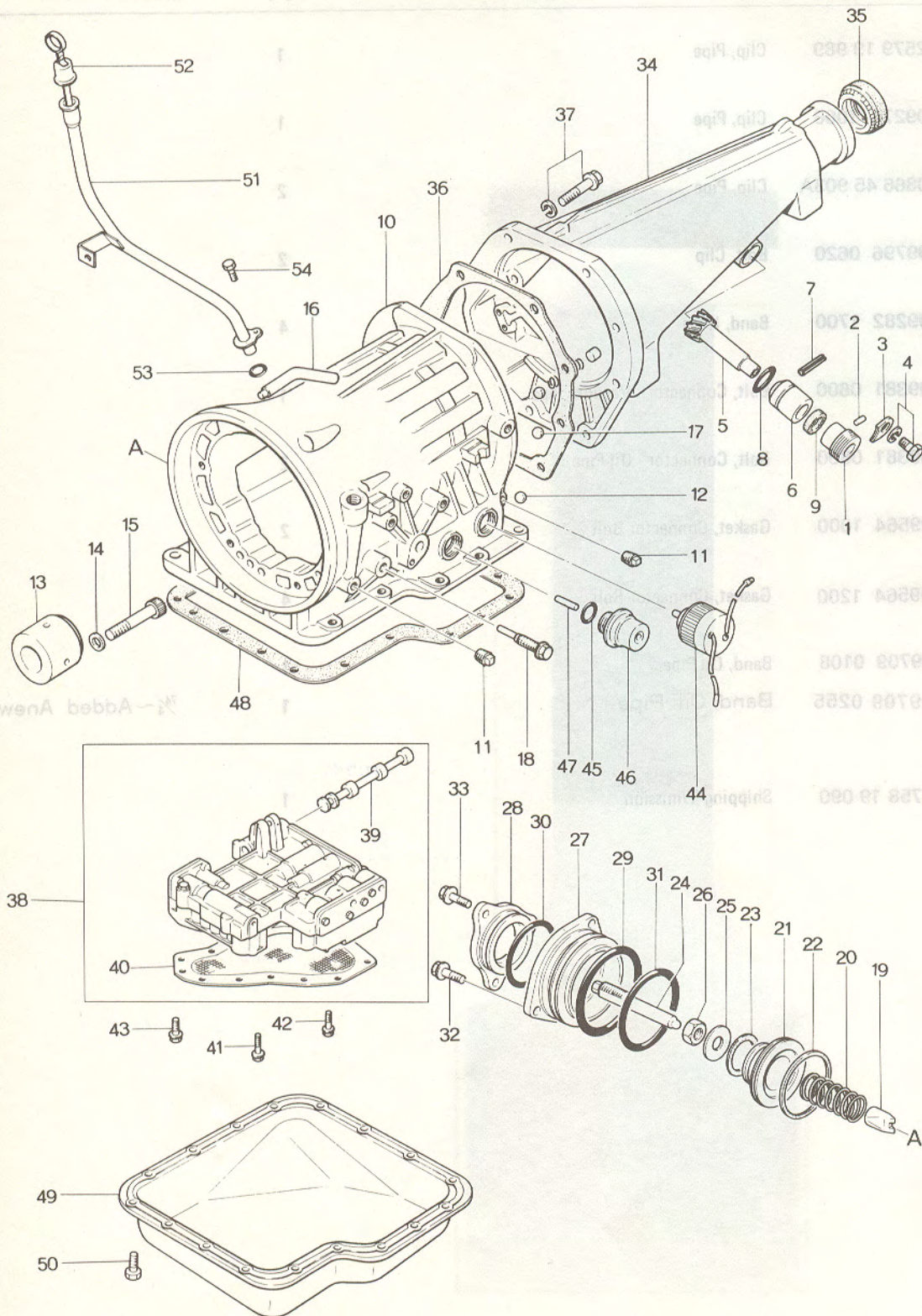
Shipping T/mission

1



AUTOMATIC T/MISSION

(CASE & MAIN CONTROL)



AUTOMATIC T/MISSION

(CASE & MAIN CONTROL)

No.	Part Number	Description	Q'ty	Remarks
1	0862 17 441	Joint, Cable - Speedometer	1	
2	0187 17 352	Pin, Dowel - Driven Gear	1	
3	0111 17 354	Plate, Lock - Cable Joint	1	
4	99806 0614	Bolt, Lock Plate	1	
	99971 0600	Washer, Spring	1	
5	0862 17 351	Gear, Driven - Speedometer	1	
6	0862 17 442	Sleeve, Speedometer Driven Gear	1	
7	99222 0216	Pin, Spring	1	
8	99541 02211	Ring, "O" - Driven Gear	1	
9	99586 10207	Oil Seal, Driven Gear	1	
10	1758 19 310	Case, T/mission	1	
11	0338 19 331A	Plug, Square Head	3	
	0338 19 331 A	Plug, Square Head	2	$\frac{7}{8}$ ~Q'ty
12	99611 1750	Ball, Steel	1	
13	0338 19 336	Race, Inner	1	
14	0338 19 337	Washer, Plain	8	
15	0338 19 338	Bolt	8	
16	0378 19 344	Breather, Air	1	
17	99611 2000	Ball, Steel	3	

AUTOMATIC T/MISSION

(CASE & MAIN CONTROL)

No.	Part Number	Description	Q'ty	Remarks
18	1758 19 341	Bolt, Anchor End	1	
19	0338 19 361	Strut, Band	1	
20	0338 19 363	Spring, Return - Piston	1	
21	0842 19 381	Piston, Band Servo	1	
22	0338 19 384	Seal, Piston	1	
23	0842 19 385	Seal, Piston	1	
24	1758 19 386	Stem, Piston	1	
25	0338 19 388A	Washer, Plain	1	
26	0338 19 389	Nut, Band Adjust	1	
27	1758 19 391	Retainer, Servo	1	
28	1758 19 392	Cover, Servo	1	
29	0842 19 394	Seal, Lathe Cut Ring	1	
30	1758 19 394	Ring, "O"	1	
31	0338 19 395	Seal, "O" Ring	1	
32	0338 19 397	Bolt	3	
33	1758 19 397	Bolt, Servo	3	
34	1840 19 710	Housing, Extension	1	
35	0376 17 335	Oil Seal	1	
●	0437 17 335	Oil Seal	1	Ord. By. 0376 17 335

7/4 ~ O

AUTOMATIC T/MISSION

(CASE & MAINT CONTROL)

19

No.	Part Number	Description	Q'ty	Remarks
36	0338 19 735	Gasket, Extension Housing	1	
37	0338 19 737	Bolt, Extension Housing	8	
	0338 19 739	Washer, Plain	8	
38	1758 19 750	Valve, Control	1	
39	0338 19 768	Valve, Manual	1	
40	1758 19 815	Strainer, Oil	1	
41	0338 19 831	Bolt, Control Valve	3	
	0338 19 831	Bolt, Control Valve	4	From Car No. 1
42	0338 19 832	Bolt, Control Valve	2	
43	0338 19 833	Bolt, Control Valve	2	
44	1675 19 821	Solenoid, Down Shift	1	
45	0338 19 822	Seal, "O" Ring	2	
46	0338 19 823	Diaphragm, Vacuum	1	
	1758 19 823	Diaphragm, Vacuum	1	$\frac{7}{8}$ ~○
47	0338 19 825	Rod, Diaphragm (l = 30.0)	} Selective use	
	0338 19 826	Rod (l = 31.0)		
	0338 19 827	Rod (l = 30.5)		
	0338 19 828	Rod (l = 29.0)		
	0338 19 829	Rod (l = 29.5)		

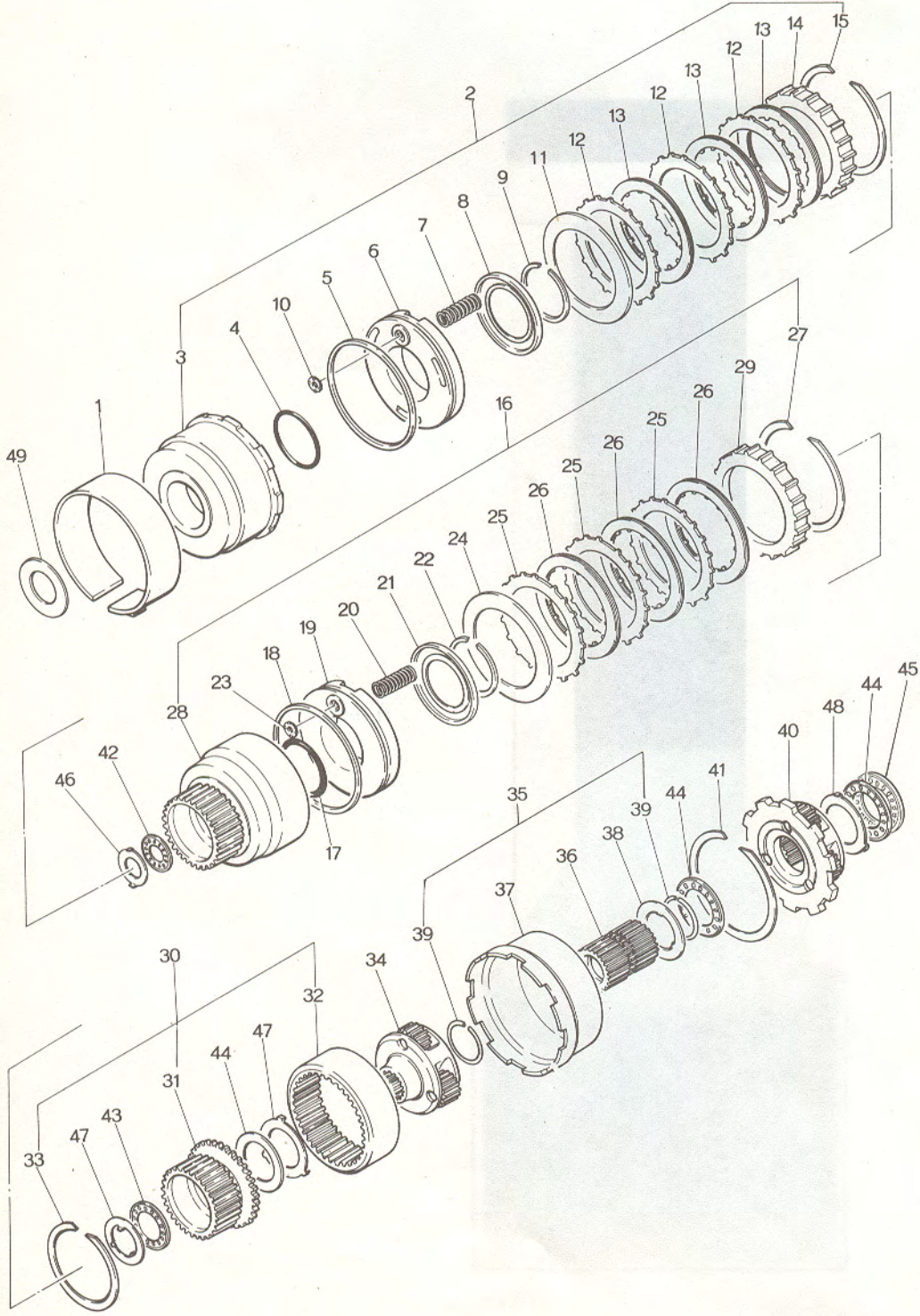
AUTOMATIC T/MISSION

(CASE & MAIN CONTROL)

19

No.	Part Number	Description	Q'ty	Remarks
48	1758 19 835	Gasket, Oil Pan	1	
49	1758 19 836	Pan, Oil	1	
50	0338 19 837	Bolt, Oil Pan	17	
51	1758 19 870	Tube, Oil Level	1	
52	1758 19 880	Gauge, Oil Level	1	
53	99541 01601	Ring, "O" - Oil Level Tube	1	
54	99796 0610	Bolt, Oil Level Tube	1	
41	0338 19 831	Bolt, Control Valve	1	
42	0338 19 832	Bolt, Control Valve	2	
43	0338 19 833	Bolt, Control Valve	2	
44	1675 19 821	Solenoid, Down Shift	1	
45	0338 19 822	Seal, "O" Ring	2	
46	0338 19 823	Diaphragm, Vacuum	1	
47	1758 19 823	Diaphragm, Vacuum	1	
	0338 19 824	Rod, Diaphragm (L = 30.0)	1	
	0338 19 825	Rod (L = 31.0)	1	
	0338 19 826	Rod (L = 30.5)	1	Selective use
	0338 19 827	Rod (L = 29.0)	1	
	0338 19 828	Rod (L = 28.0)	1	
	0338 19 829	Rod (L = 28.5)	1	

AUTOMATIC T/MISSION (CLUTCH & PLANETARY GEAR)



AUTOMATIC T/MISSION (CLUTCH & PLANETARY GEAR)

No.	Part Number	Description	Q'ty	Remarks
1	0338 19 360	Band, Brake	1	
2	1758 19 460	Clutch, Front	1	
3	0338 19 470	Drum, Clutch	1	
4	0338 19 475	Seal, "O" Ring	1	
5	0338 19 476	Seal, Lathe Cut	1	
6	0338 19 480	Piston, Clutch	1	
7	0338 19 486	Spring, Piston Return	10	
8	0338 19 487	Retainer, Spring	1	
9	0338 19 488	Ring, Snap	1	
● 10	0338 19 493	Retainer, Ball	1	⁷ / ₈ ~ Discarded
11	0338 19 498	Plate, Dished	1	
12	0338 19 499	Plate, Driven	4	
13	0338 19 500	Plate, Drive	4	
14	1758 19 503	Plate, Retaining	} Selective use 1	
	1758 19 504	Plate, Retaining		
	1758 19 505	Plate, Retaining		
	1758 19 506	Plate, Retaining		
	1758 19 507	Plate, Retaining		
	1758 19 508	Plate, Retaining		

AUTOMATIC T/MISSION

(CLUTCH & PLANETARY GEAR)

No.	Part Number	Description	Q'ty	Remarks
15	0338 19 509	Ring, Snap	1	
16	1758 19 510	Clutch, Rear	1	
17	0338 19 475	Seal, "O" Ring	1	
18	0338 19 476	Seal, Lathe Cut	1	
19	0338 19 480	Piston, Clutch	1	
20	0338 19 486	Spring, Piston Return	10	
21	0338 19 487	Retainer, Spring	1	
22	0338 19 488	Ring, Snap	1	
● 23	0338 19 493	Retainer, Ball	1	$\frac{7}{8}$ " Discarded
24	0338 19 498	Plate, Dished	1	
25	0338 19 499	Plate, Driven	5	
26	0338 19 500	Plate, Drive	5	
27	0338 19 509	Ring, Snap	1	
28	1758 19 511	Drum, Rear Clutch	1	
29	0378 19 515	Plate, Retaining	1	
30	0338 19 530	Hub, Rear Clutch	1	
31	0338 19 531	Hub, Rear Clutch	1	
32	0338 19 533	Gear, Internal	1	

AUTOMATIC T/MISSION

(CLUTCH & PLANETARY GEAR)

No.	Part Number	Qty	Description	Q'ty	Remarks
33	0338 19 534		Ring, Snap	1	
34	0338 19 540		Carrier, Front	1	
35	0338 19 550		Shell & Sun Gear	1	
36	0338 19 560		Gear, Sun	1	
37	0338 19 565		Shell, Connecting	1	
38	0338 19 566		Race, Bearing - Shell	1	
39	0338 19 567		Ring, Snap	2	
40	0338 19 570		Carrier, Rear	1	
41	0338 19 598		Ring, Snap	1	
42	0338 19 621		Bearing, Needle	1	
43	0338 19 622		Bearing, Needle	1	
44	0338 19 623		Bearing, Needle	3	
45	0338 19 624		Bearing, Needle	1	
46	0338 19 631		Race, Bearing (t = 1.2)		
	0338 19 632		Race, Bearing (t = 1.4)		
	0338 19 633		Race, Bearing (t = 1.6)		
	0338 19 634		Race, Bearing (t = 1.8)		
			Selective use	1	

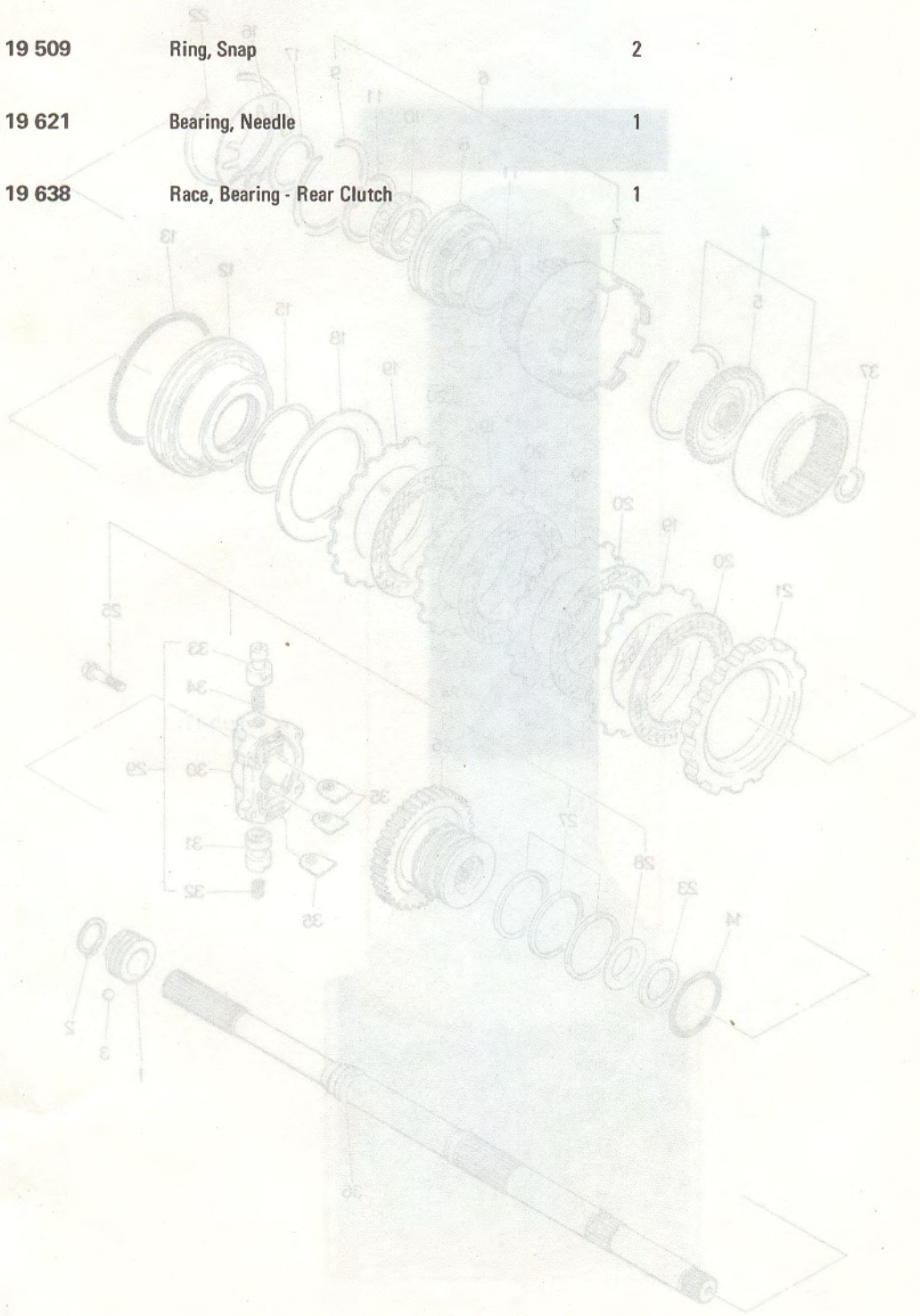
AUTOMATIC / MISSION

(CLUTCH & PLANETARY GEAR)

No.	Part Number	Description	Q'ty	Remarks
	0338 19 635	Race, Bearing (t = 2.0)	1	
	0338 19 636	Race, Bearing (t = 2.2)	1	
47	0338 19 638	Race, Bearing - Rear Clutch	1	
48	0338 19 639	Race, Bearing	2	
49	0338 19 641	Washer, Front Clutch (t = 1.90)	1	
	0338 19 642	Washer (t = 2.10)	1	
	0338 19 643	Washer (t = 2.30)	1	
	0338 19 644	Washer (t = 2.50)	1	Selective use
	0338 19 645	Washer (t = 2.70)	1	
	0338 19 646	Washer (t = 1.50)	1	
	0338 19 647	Washer (t = 1.70)	1	
	0397 22 200	Clutch Repair Kit	1 Set	
	0338 19 475	Seal, "O" Ring	2	
	0338 19 476	Seal, Lathe Cut	2	
	0338 19 486	Spring, Piston Return	20	
	0338 19 487	Retainer, Spring	2	
	0338 19 488	Ring, Snap	2	
	0338 19 498	Plate, Dished	2	
	0338 19 499	Plate, Driven	7	

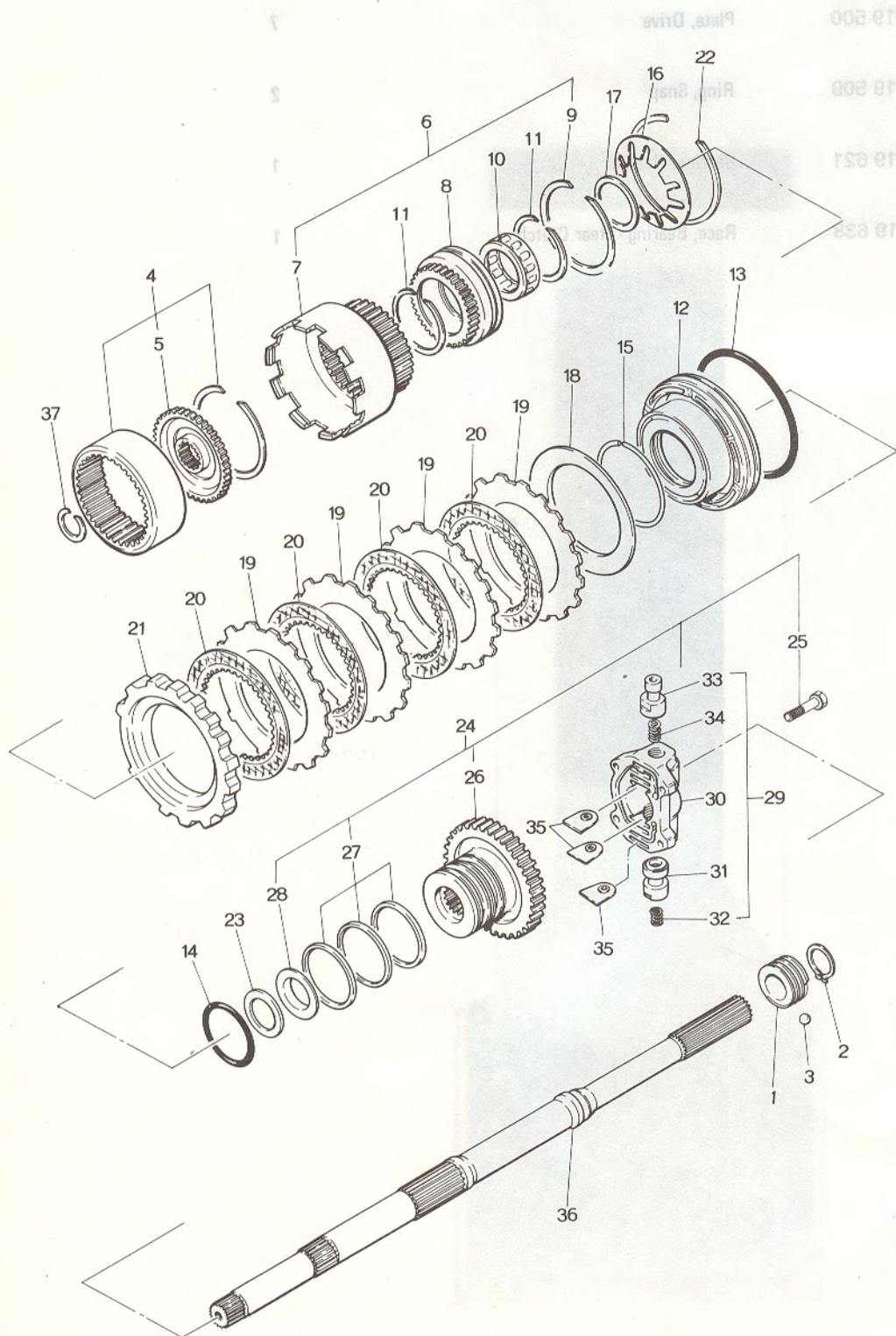
AUTOMATIC TRANSMISSION (CLUTCH & PLANETARY GEAR)

No.	Part Number	Description	Q'ty	Remarks
	0338 19 500	Plate, Drive	7	
	0338 19 509	Ring, Snap	2	
	0338 19 621	Bearing, Needle	1	
	0338 19 638	Race, Bearing - Rear Clutch	1	



AUTOMATIC T/MISSION

(LOW, REVERSE & GOVERNOR)



AUTOMATIC T/MISSION

(LOW, REVERSE & GOVERNOR)

No.	Part Number	Description	Q'ty	Remarks
1	0862 17 341	Gear, Drive - Speedometer	1	
2	99573 2500	Ring, Snap - Drive Gear	1	
3	99611 1500	Ball, Steel	1	
4	0338 19 580	Flange	1	
5	0338 19 581	Flange, Drive	1	
6	0338 19 590	Drum, Connecting	1	
7	0338 19 591	Drum, Connecting	1	
8	0338 19 593	Race, Outer	1	
9	0338 19 594	Ring, Snap	1	
10	0338 19 595	Clutch, One Way	1	
11	0338 19 596	Ring, Snap	2	
12	0338 19 601	Piston, Low & Reverse	1	
13	0338 19 603	Seal, Piston	1	
14	0338 19 604	Seal, "O" Ring	1	
15	0338 19 605	Ring, Thrust Spring	1	
16	0338 19 606	Spring, Piston	1	
17	0338 19 607	Ring, Snap	1	

AUTOMATIC T/MISSION

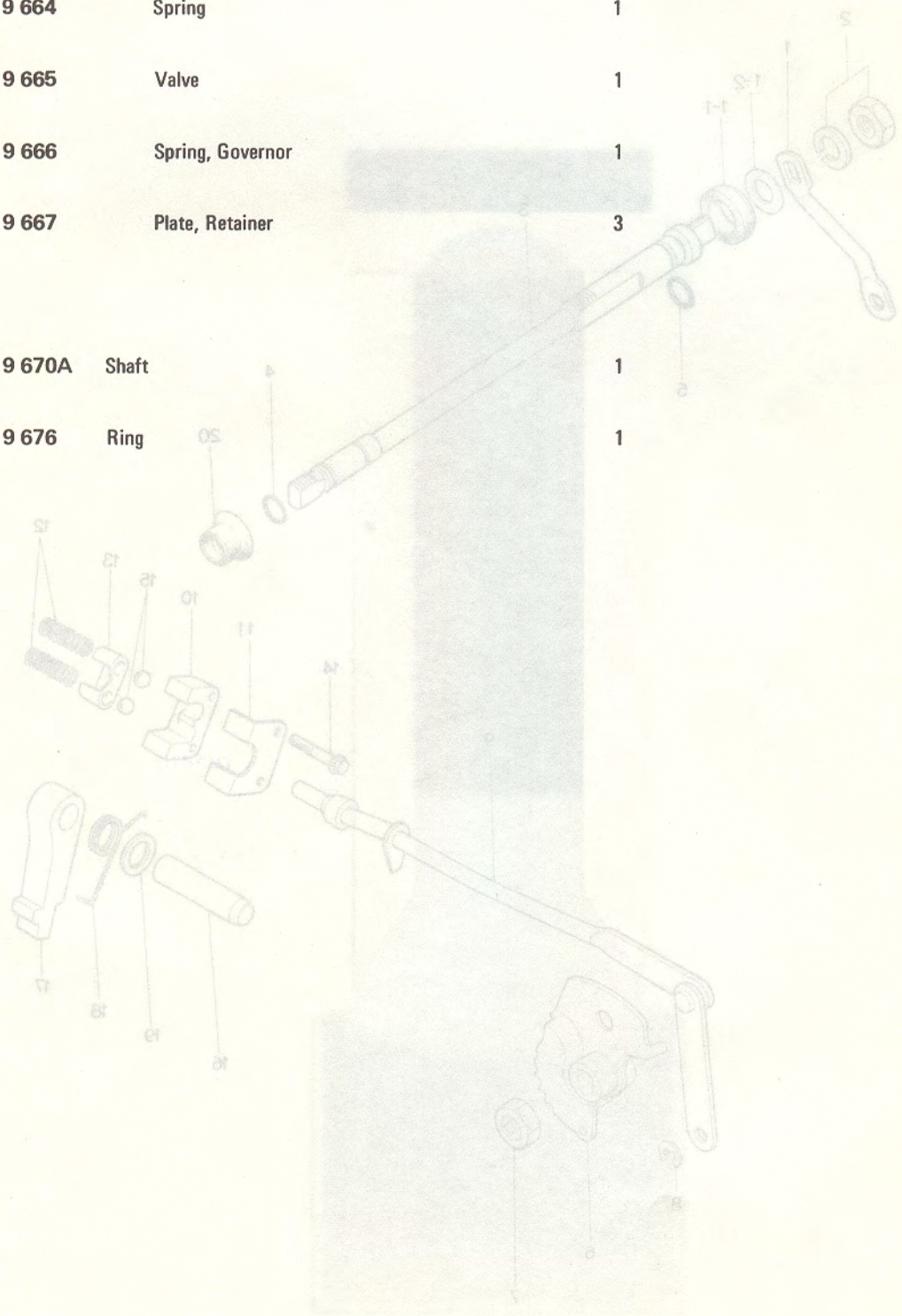
(LOW, REVERSE & GOVERNOR)

No.	Part Number	Description	Q'ty	Remarks
18	0338 19 608	Plate, Dished	1	
19	0338 19 609	Plate, Driven	4	
20	0338 19 610	Plate, Drive	4	
21	0338 19 613A	Plate, Retaining (t = 15.8)	Selective use 1	
	0338 19 614A	Plate (t = 16.0)		
	0338 19 615A	Plate (t = 16.2)		
	0338 19 616A	Plate (t = 16.4)		
	0338 19 617A	Plate (t = 16.6)		
	0338 19 618A	Plate (t = 16.8)		
22	0338 19 619	Ring, Snap	1	
23	0338 19 622	Bearing, Needle	1	
24	0842 19 650	Distributor, Oil	1	
25	0338 19 397	Bolt	4	
26	0338 19 651	Distributor	1	
27	0338 19 655	Ring, Seal	3	
28	0338 19 656	Race, Bearing	1	$\frac{7}{8}$ ~ Discarded
● 29	0842 19 660	Governor, Fig. No. 30 ~ 33 included	1	
30	0338 19 661	Body	1	
31	0338 19 663	Valve	1	

AUTOMATIC ST/MISSION

(LOW, REVERSE & GOVERNOR) (HAM)

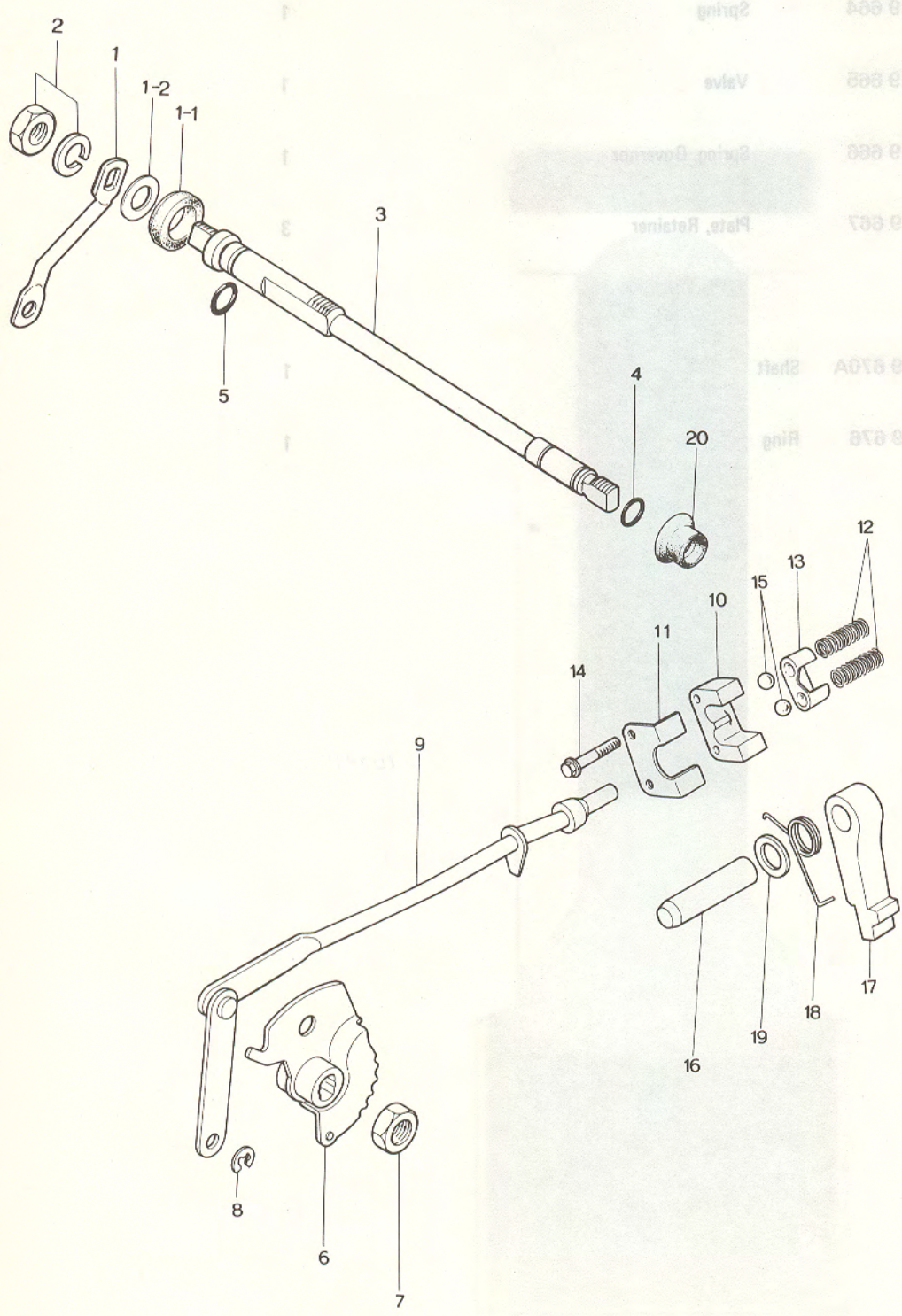
No.	Part Number	Description	Q'ty	Remarks
32	0338 19 664	Spring	1	
33	0842 19 665	Valve	1	
34	0338 19 666	Spring, Governor	1	
35	0338 19 667	Plate, Retainer	3	
36	0338 19 670A	Shaft	1	
37	0338 19 676	Ring	1	



AUTOMATIC T/MISSION

(MANUAL LINKAGE) (LOW REVERSE)

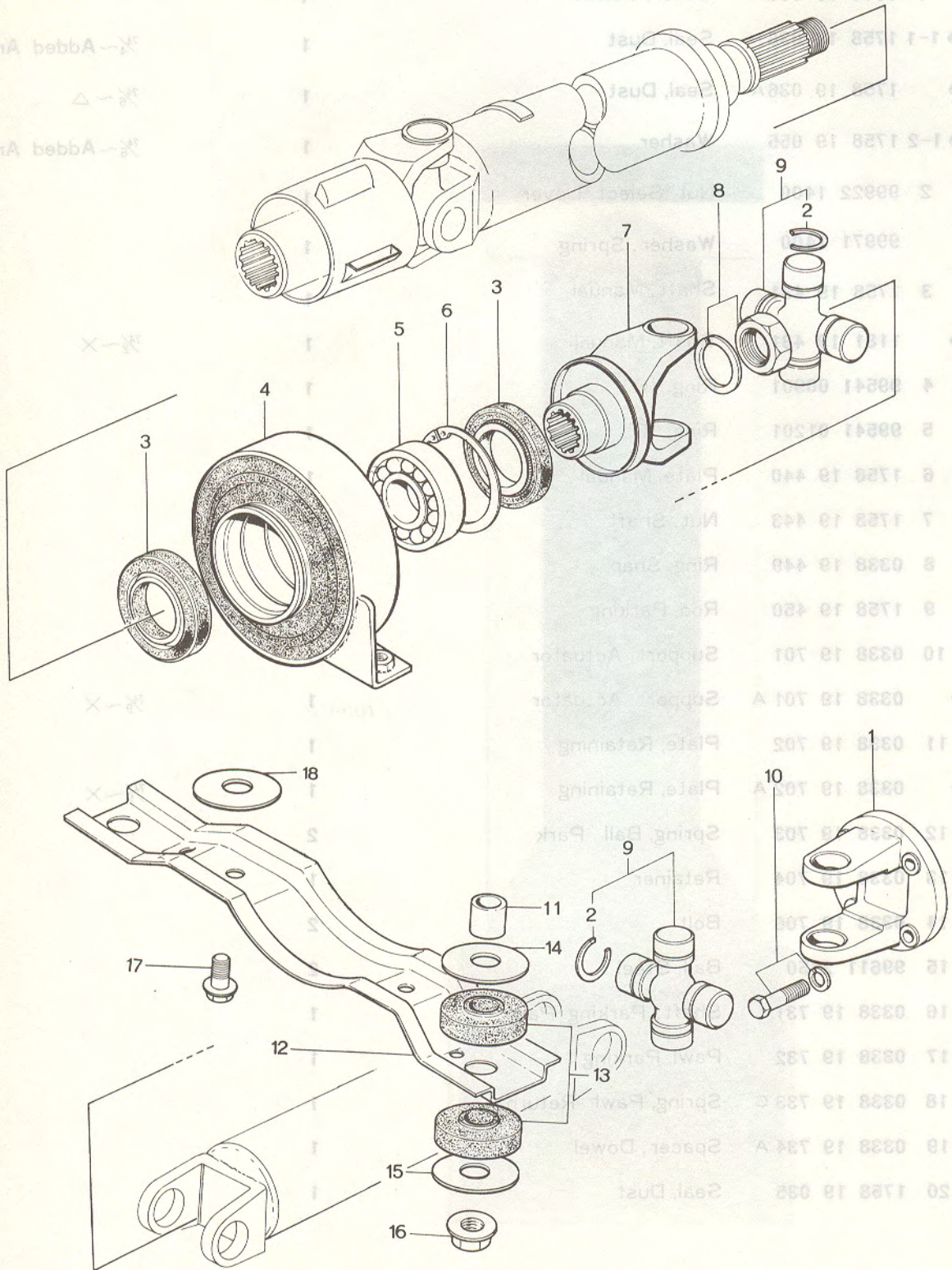
No.	Part Number	Description	Qty	Remarks
-----	-------------	-------------	-----	---------



AUTOMATIC T / MISSION (MANUAL LINKAGE)

No.	Part Number	Description	Q'ty	Remarks
1	1015 19 031	Lever, Select	1	
● 1-1	1758 19 036	Seal, Dust	1	$\frac{7}{4}$ ~ Added Anew
●	1758 19 036A	Seal, Dust	1	$\frac{7}{6}$ ~ Δ
● 1-2	1758 19 055	Washer	1	$\frac{7}{6}$ ~ Added Anew
2	99922 1400	Nut, Select Lever	1	
	99971 1400	Washer, Spring	1	
3	1758 19 431	Shaft, Manual	1	
●	1181 19 431	Shaft, Manual	1	$\frac{7}{2}$ ~ X
4	99541 00901	Ring, "O"	1	
5	99541 01201	Ring, "O"	1	
6	1758 19 440	Plate, Manual	1	
7	1758 19 443	Nut, Shaft	1	
8	0338 19 449	Ring, Snap	2	
9	1758 19 450	Rod, Parking	1	
10	0338 19 701	Support, Actuator	1	
●	0338 19 701 A	Support, Actuator	1	$\frac{7}{9}$ ~ X
11	0338 19 702	Plate, Retaining	1	
●	0338 19 702 A	Plate, Retaining	1	$\frac{7}{9}$ ~ X
12	0338 19 703	Spring, Ball Park	2	
13	0338 19 704	Retainer	1	
14	0338 19 706	Bolt	2	
15	99611 2750	Ball, Steel	2	
16	0338 19 731	Shaft, Parking Pawl	1	
17	0338 19 732	Pawl, Parking	1	
18	0338 19 733 C	Spring, Pawl Return	1	
19	0338 19 734 A	Spacer, Dowel	1	
20	1758 19 035	Seal, Dust	1	

PROPELLER SHAFT



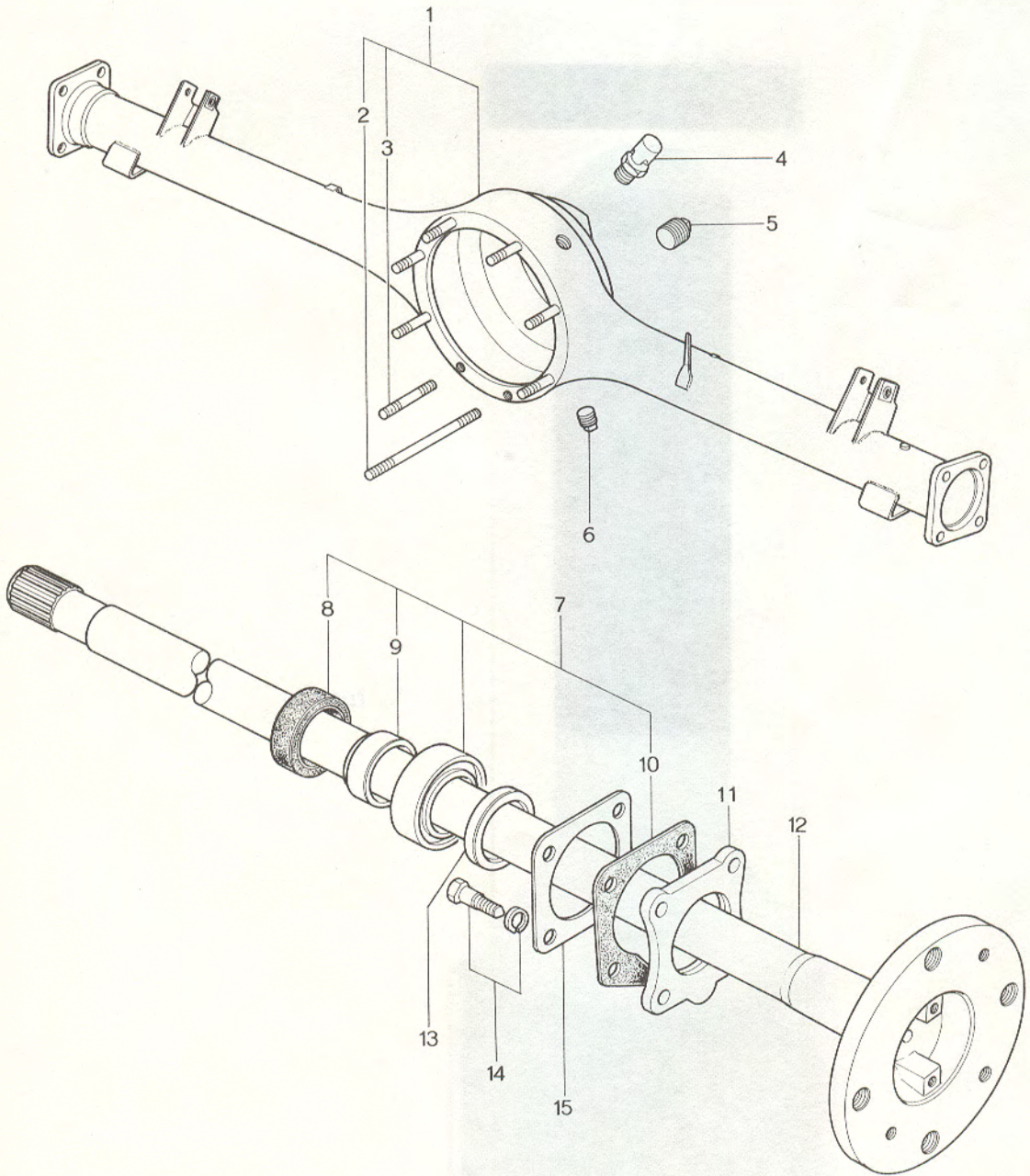
PROPELLER SHAFT

25

No.	Part Number	Description	Q'ty	Remarks
	1758 25 100	Shaft, Propeller	1	
●	1758 25 100A	Shaft, Propeller	1	3/4~△
1	1757 25 121	Yoke, Universal Joint	1	
2	1757 25 171	Ring, Snap (t=1.22)		
	1757 25 172	Ring, Snap (t=1.24)		
	1757 25 173	Ring, Snap (t=1.26)		
	1757 25 174	Ring, Snap (t=1.28)		
	1757 25 175	Ring, Snap (t=1.30) Selective use	8	
	1757 25 176	Ring, Snap (t=1.32)		
	1757 25 177	Ring, Snap (t=1.34)		
	1757 25 178	Ring, Snap (t=1.36)		
	1757 25 179	Ring, Snap (t=1.38)		
3	0290 25 151	Oil Seal	2	
4	1029 25 300	Support, Center Bearing	1	
●	1757 25 300	Support, Center Bearing	1	3/4~△
5	99606 62050	Bearing, Ball	1	
6	99574 5200	Ring, Snap	1	
7	1757 25 220	Yoke	1	
8	99922 1800	Nut	1	
	99971 1800	Washer, Spring	1	
9	1757 89 251	Joint Set, Universal (1757 25 175 Included)	2	

PROPELLER SHAFT

No.	Part Number	Description	Q'ty	Remarks
10	99752 30818	Bolt, Propeller Shaft	4	
	99971 0800	Washer, Spring	4	
11	1011 25 317	Spacer	2	
	1029 25 317	Spacer	2	From Car No. 1
12	1028 25 319	Member, Bearing Support	1	
	1029 25 319B	Member, Bearing Support	1	From Car No. 1
13	1114 25 331	Bush	4	
14	0866 32 341	Washer	2	
●	0866 32 341	Washer	4	$\frac{7}{8}$ ~Q'ty
15	99951 1030	Washer	2	
16	99940 1001	Nut, Bearing Support Member	2	
17	99794 1020	Bolt, Center Bearing Support	2	
●	99794 1020	Bolt, Center Bearing Support	2	(Wagon) Selective use
●	99796 1030	Bolt, Center Bearing Support		
	99796 1030	Bolt, Center Bearing Support (Sedan & Hardtop)	2	From Car No. 1
18	0603 13 481	Clamp (t=6.0)	2	Selective use $\frac{7}{8}$ ~ Added Anew
	2783 18 368	Spacer (t=10.0)		
	0839 61 968	Spacer (t=4.5)		
	99952 1030	Washer, Plain (t=1.6)		
	99951 1030	Washer, Plain (t=3.2)		



REAR AXLE

26

No.	Part Number	Description	Q'ty	Remarks
1	1068 26 010	Casing, Rear Axle (Sedan & Hardtop)	1	
	1078 26 010A	Casing, Rear Axle (Sedan & Hardtop)	1	7/2 ~ ○
	1078 26 010C	Casing, Rear Axle (Sedan & Hardtop)	1	7/9 ~ ×
	1791 26 010A	Casing, Rear Axle (Wagon)	1	
	1791 26 010B	Casing, Rear Axle (Wagon)	1	7/2 ~ ○
	1791 26 010C	Casing, Rear Axle (Wagon)	1	7/1 ~ ×
2	99852 0880	Stud	1	
	99789 0880F	Stud	1	7/2 ~ ○
3	99852 0820	Stud	7	
	99789 0820F	Stud	7	7/2 ~ ○
4	0419 26 060	Breather	1	
5	0259 26 041	Plug, Oil Level	1	
6	0259 26 051	Plug, Magnet Drain	1	
7	1011 99 265	Bearing Set, Rear Axle (Sedan & Hardtop)	2	
	1372 99 265	Bearing Set, Rear Axle (Wagon)	2	
	0698 99 265	Bearing Set, Rear Axle (Wagon)	2	73/11 ~ ○
8	1011 26 154	Seal, Oil	2	
9	1011 26 152	Collar, Bearing	2	
10	1011 26 129A	Gasket	2	
11	1011 26 121	Retainer, Bearing	2	
12	1029 26 111	Shaft, Rear Axle	2	
	1029 26 111A	Shaft, Rear Axle	2	73/10 ~ ○
13	1011 26 155	Spacer, Bearing	2	
14	1011 26 132	Bolt, Bearing Retainer	8	
	99971 1000	Washer, Spring	8	

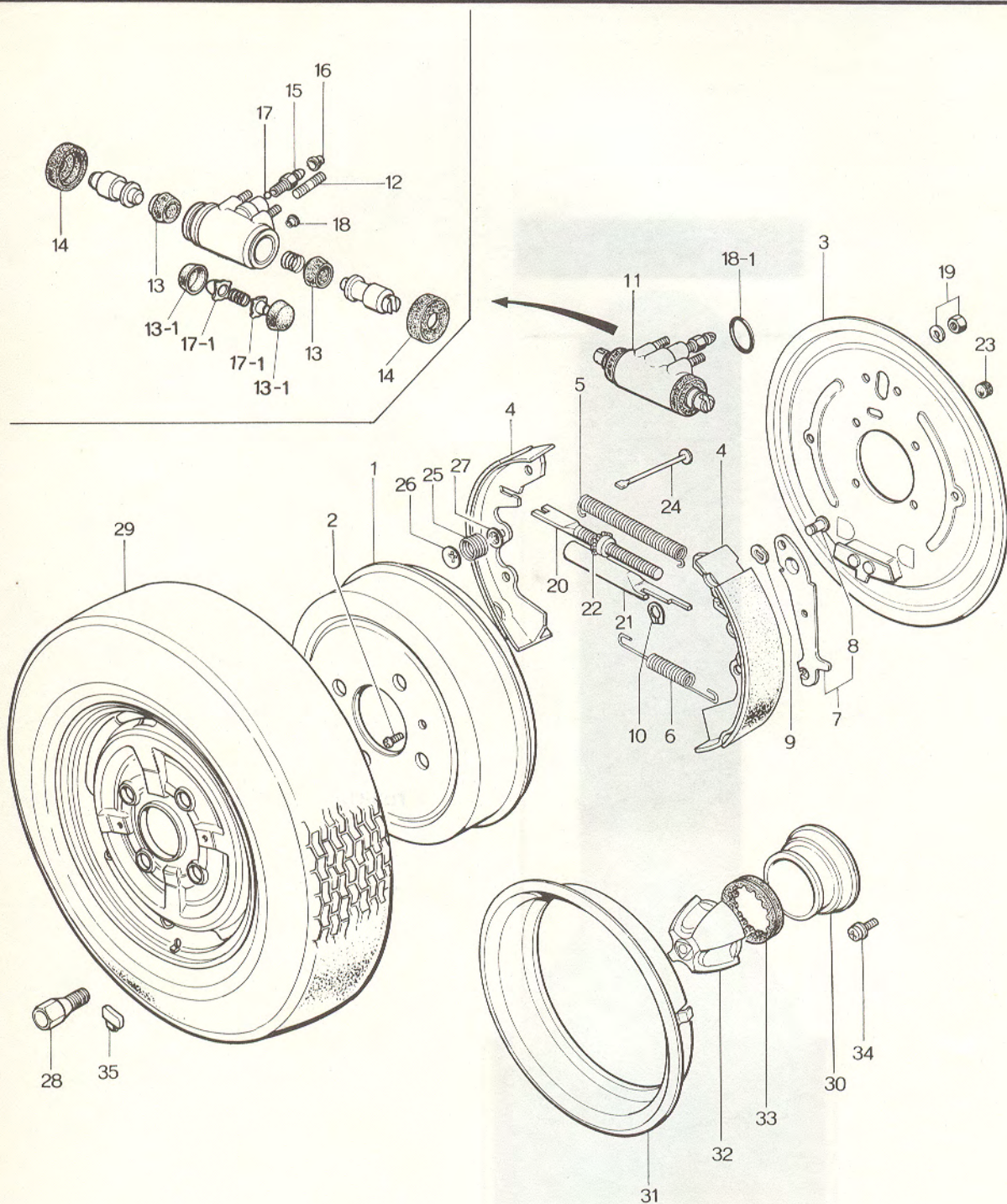
REAR AXLE

26

No.	Part Number	Description	Q'ty	Remarks
1	1068 26 010	Casing, Rear Axle (Sedan & Hardtop)	1	
	1078 26 010A	Casing, Rear Axle (Sedan & Hardtop)	1	$\frac{7}{8}$ ~○
	1078 26 010C	Casing, Rear Axle (Sedan & Hardtop)	1	$\frac{7}{8}$ ~×
	1791 26 010A	Casing, Rear Axle (Wagon)	1	
	1791 26 010B	Casing, Rear Axle (Wagon)	1	$\frac{7}{8}$~○
	1791 26 010C	Casing, Rear Axle (Wagon)	1	$\frac{7}{8}$ ~×
2	99852 0880	Stud	1	
	99789 0880F	Stud	1	$\frac{7}{8}$ ~○
3	99852 0820	Stud	7	
	99789 0820F	Stud	7	$\frac{7}{8}$ ~○
4	0419 26 060	Breather	1	
5	0259 26 041	Plug, Oil Level	1	
6	0259 26 051	Plug, Magnet Drain	1	
7	1011 99 265	Bearing Set, Rear Axle (Sedan & Hardtop)	2	
	1372 99 265	Bearing Set, Rear Axle (Wagon)	2	
	0698 99 265	Bearing Set, Rear Axle (Wagon)	2	$\frac{73}{11}$ ~○
8	1011 26 154	Seal, Oil	2	
9	1011 26 152	Collar, Bearing	2	
10	1011 26 129A	Gasket	2	
11	1011 26 121	Retainer, Bearing	2	
12	1029 26 111	Shaft, Rear Axle	2	
	1029 26 111A	Shaft, Rear Axle	2	$\frac{73}{10}$ ~○
13	1011 26 155	Spacer, Bearing	2	
14	1011 26 132	Bolt, Bearing Retainer	8	
	99971 1000	Washer, Spring	8	

REAR AXLE

No.	Part Number	Description	Q'ty	Remarks
15	1011 28 141	Shim, Adjust (t=0.1)	1	
		Selective use	0 ~ 4	
	1011 28 142		Shim, Adjust (t=0.4)	1
		Casing, Rear Axle (Sedan & Hardtop)	1	
		Casing, Rear Axle (Wagon)	1	
		Casing, Rear Axle (Wagon)	1	
		Casing, Rear Axle (Wagon)	1	
		Stud	2	89852 0880
		Stud	1	98789 0880F
		Stud	2	99852 0820
		Stud	2	98789 0820F
		Breather	1	4 0418 28 060
		Plug, Oil Level	1	8 0250 28 041
		Plug, Master Drain	1	8 0250 28 051
		Bearing Set, Rear Axle (Sedan & Hardtop)	2	7 1011 89 285
		Bearing Set, Rear Axle (Wagon)	2	1372 90 285
		Bearing Set, Rear Axle (Wagon)	2	0698 99 285
		Seal, Oil	2	8 1011 28 154
		Collar, Bearing	2	9 1011 28 152
		Gasket	2	10 1011 28 129A
		Retainer, Bearing	2	11 1011 28 121
		Shaft, Rear Axle	2	12 1029 28 111
		Shaft, Rear Axle	2	1028 28 117A
		Spacer, Bearing	2	13 1011 28 182
		Bot., Bearing Retainer	8	14 1011 28 132
		Washer, Spring	8	99971 1000



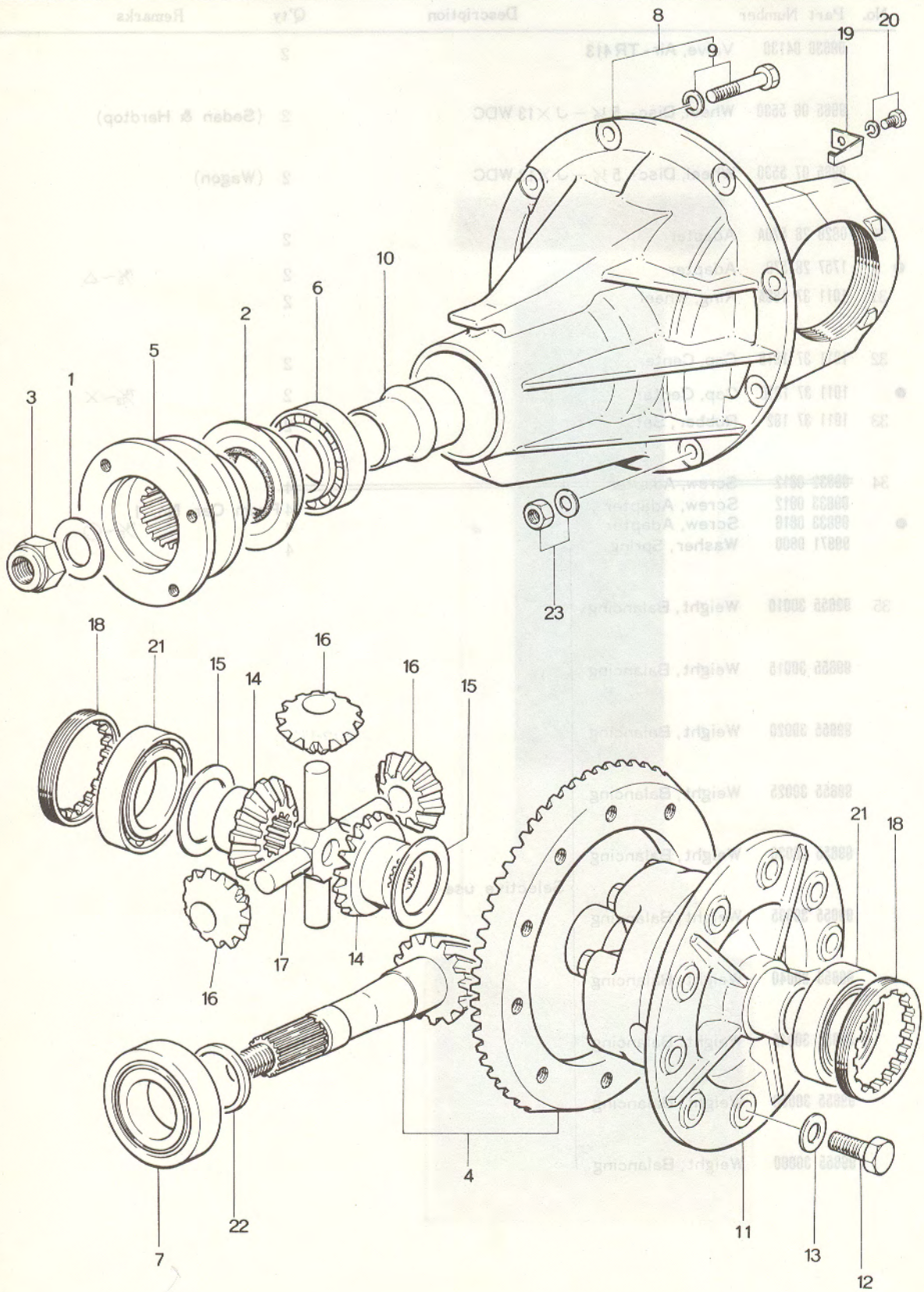
REAR BRAKE

26

No.	Part Number	Description	Q'ty	Remarks
1	1011 26 251A	Drum, Brake	2	
2	99833 0812	Screw	4	
3	1011 26 280	Plate (R), Brake Back	1	
	1011 26 290	Plate (L), Brake Back	1	
4	1011 26 310	Shoe, Brake	4	
•	1011 26 310A	Shoe, Brake	4	$\frac{7}{10} \sim \Delta$
5	1011 26 341	Spring, Return-Upper	2	
6	1011 26 342	Spring, Return-Lower	2	
7	1011 26 800	Lever (R), Operating	1	
•	1011 26 800A	Lever (R), Operating	1	$\frac{7}{11} \sim \times$
	1011 26 810	Lever (L), Operating	1	
•	1011 26 810A	Lever (L), Operating	1	$\frac{7}{11} \sim \times$
8	1011 26 832	Pin	2	
9	99972 0800	Washer, Wave	2	
10	99575 0600	Ring, Retaining	2	
11	1011 26 610A	Cylinder (R), Wheel	1	
•	1011 26 610B	Cylinder (R), Wheel	1	$\frac{7}{11} \sim \times$
	1011 26 710A	Cylinder (L), Wheel	1	
•	1011 26 710B	Cylinder (L), Wheel	1	$\frac{7}{11} \sim \times$
12	99852 0612	Stud	4	
13	1011 26 671	Cup, Piston	4	
•	13-1 0810 26 671	Cup, Piston	4	$\frac{7}{11} \sim \times$
14	1011 26 681	Boot	4	
•	1011 26 681A	Boot	4	$\frac{7}{11} \sim \times$

No.	Part Number	Description	Q'ty	Remarks
15	0259 33 691	Screw, Bleeder	1	
16	0259 33 693	Cap, Bleeder Screw	1	(R) Side
17	99611 1500	Ball, Steel	1	
● 17-1	0221 26 673	Block, Filling	1	$\frac{7}{11}$ ~Added Anew
18	0613 26 922	Seat, Tube	(R) - 1 (L) - 2	$\frac{7}{10}$ ~Discarded
● 18-1	1175 26 615	Packing, Wheel Cylinder	2	$\frac{7}{11}$ ~Added Anew
19	99906 0600	Nut, Wheel Cylinder	4	
	99971 0600	Washer, Spring	4	
20	1011 26 821	Rod, Push - Male	2	
21	1011 26 831	Rod, Push - Female	2	
22	1011 26 835	Nut, Adjust - Push Rod	2	
23	0603 26 288	Plug, Back Plate	2	
24	0223 26 391	Pin, Hold - Brake Shoe	4	
25	1011 26 345	Spring, Hold - Brake Shoe	4	
26	1011 26 346	Washer, Cup	4	
27	1011 26 392	Cup, Brake Shoe Hold Spring	4	
28	0820 33 165A	Bolt, Wheel Set (Sedan & Hardtop)	8	
	1029 33 165	Bolt, Wheel Set (Sedan & Hardtop)	8	$\frac{7}{2}$ ~○
	1029 33 165	Bolt, Wheel Set (Wagon)	8	
29	9062 02 7323	Tire, Tube Less Radial - BR70 SR13	2	
	9062 03 7323	Tire, Tube Less Radial - BR70SR13	2	$\frac{7}{2}$ ~△
	9062 08 7693	Tire, Tube Less Radial - 195 / 70 SR13	2	
	9962 10 1753	Tire, Tube Less Radial - 175 SR13	2	

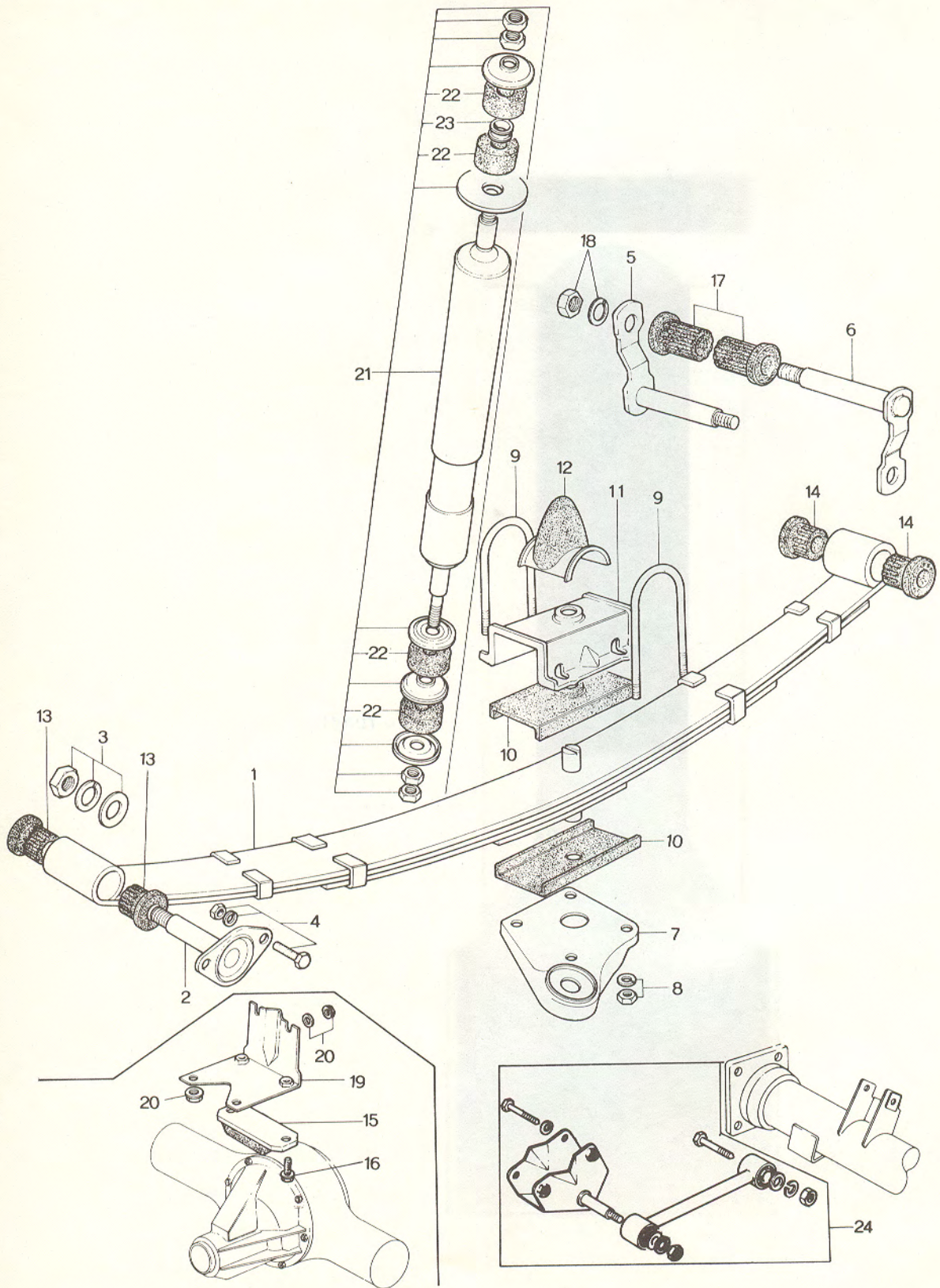
No.	Part Number	Description	Q'ty	Remarks
	99636 04130	Valve, Air - TR 413	2	
	9965 06 5530	Wheel, Disc - 5 1/2 - J X 13 WDC	2	(Sedan & Hardtop)
	9965 07 5530	Wheel, Disc - 5 1/2 - J X 13 WDC	2	(Wagon)
30	0820 26 570A	Adapter	2	
●	1757 26 570	Adapter	2	3/8 ~ Δ
31	1011 37 180A	Ring, Wheel	2	
32	1011 37 191B	Cap, Center	2	
●	1011 37 191C	Cap, Center	2	7/12 ~ X
33	1011 37 192	Rubber, Set	2	
34	99832 0812	Screw, Adapter	4	
●	99833 0812	Screw, Adapter	4	From Car No. 1
	99833 0816	Screw, Adapter	4	7/8 ~ O
	99971 0800	Washer, Spring	4	
35	99655 30010	Weight, Balancing		} Selective use
	99655 30015	Weight, Balancing		
	99655 30020	Weight, Balancing		
	99655 30025	Weight, Balancing		
	99655 30030	Weight, Balancing		
	99655 30035	Weight, Balancing		
	99655 30040	Weight, Balancing		
	99655 30045	Weight, Balancing		
	99655 30050	Weight, Balancing		
	99655 30060	Weight, Balancing		



No.	Part Number	Description	Q'ty	Remarks
	1757 27 100	Driving & Differential	1	
1	0223 27 012	Washer	1	
2	2112 27 018	Seal, Oil	1	
3	0223 27 030	Nut, Lock	1	
4	1757 27 110	Gear Set, Final	1	
5	1757 27 120	Flange, Companion	1	
6	0755 27 141	Bearing, Drive Pinion (Frt.)	1	
7	0821 27 141A	Bearing, Drive Pinion (Rr.)	1	
8	1757 27 150	Carrier, Differential	1	
9	99811 1050	Bolt, Differential	4	
	99971 1000	Washer, Spring	4	
10	1757 27 171	Piece, Distance	1	
11	1757 27 230	Case, Differential Gear	1	
	1757 27 230A	Case, Differential Gear	1	$\frac{7}{8}$ ~ Δ
12	99751 21225	Bolt, Reamer	10	} Selective use
	99751 61255	Bolt, Reamer	10	
13	99958 1200	Washer, Plain	10	
	99958 1220	Washer, Plain	10	From Car No. 1
14	1757 27 251	Gear, Differential Side	2	
15	0290 27 252	Washer (t=2.0)	} Selective use	
	0290 27 253	Washer (t=2.1)		2
	0290 27 254	Washer (t=2.2)		
	0290 27 257	Washer (t=1.9)		
	0290 27 258	Washer (t=2.3)		

$\frac{7}{8}$ ~Added Anew
 $\frac{7}{8}$ ~Added Anew

No.	Part Number	Description	Q'ty	Remarks
16	0249 27 255	Pinion, Differential	4	
17	1757 27 261	Shaft, Differential Pinion	1	
18	0290 27 301	Screw, Adjust	2	
19	0290 27 302	Plate, Lock	2	
20	99811 0812	Bolt, Lock Plate	2	
	99971 0800	Washer	2	
21	0221 27 305	Bearing	2	
22	1757 27 401	Spacer (t=3.52)	} Selective use 1	
	1757 27 402	Spacer (t=3.55)		
	1757 27 403	Spacer (t=3.58)		
	1757 27 404	Spacer (t=3.61)		
	1757 27 405	Spacer (t=3.64)		
	1757 27 406	Spacer (t=3.67)		
	1757 27 407	Spacer (t=3.70)		
	1757 27 408	Spacer (t=3.73)		
23	99901 0800	Nut, Differential		8
	99971 0800	Washer, Spring	8	



REAR SUSPENSION (SEDAN & HARDTOP)

28

No.	Part Number	Description	Q'ty	Remarks
1	1757 28 010	Spring, Rear	2	
	1757 28 011	Spring No. 1, Leaf	2	
	1757 28 012	Spring No. 2, Leaf	2	
	1757 28 013	Spring No. 3, Leaf	2	
	1757 28 014	Spring No. 4, Leaf	2	
	1757 28 015	Spring No. 5, Leaf	2	
2	1011 28 110	Pin, Spring	2	
3	99921 1000	Nut, Spring Pin	2	
	99952 1000	Washer, Plain	2	
	99971 1000	Washer, Spring	2	
4	99801 0822	Bolt, Spring Pin	4	
	99901 0800	Nut	4	
	99971 0800	Washer, Spring	4	
5	1011 28 130	Plate No. 2, Shackle	2	
6	1011 28 140A	Plate, Shackle	2	
7	1011 28 150	Clamp (R), Spring	1	
	1011 28 170	Clamp (L), Spring	1	
8	99921 1000	Nut, Spring Clamp	8	
	99971 1000	Washer, Spring	8	

REAR SUSPENSION (SEDAN & HARDTOP)

No.	Part Number	Description	Q'ty	Remarks
9	1011 28 161	Bolt, Lock	4	
10	0259 28 182	Pad, Rubber	4	
11	1757 28 183	Holder, Rubber Pad	2	
12	1011 28 320A	Bumper, Bound	2	
●	1011 28 320B	Bumper, Bound	2	$\frac{7}{8}$ " ~ O
13	0443 28 333	Bush, Rubber-Front Side	4	
14	0443 28 343	Bush, Rubber-Rear Side No. 1	4	
15	1010 28 350A	Rubber, Stopper	1	
16	99794 0820	Bolt, Stopper Rubber	2	
17	1011 28 353	Bush, Rubber-Rear Side No. 2	4	
18	99921 1000	Nut, Shackle Plate	4	
	99971 1000	Washer, Spring	4	
19	1757 28 390	Bracket, Stopper Rubber	1	
20	99940 0800	Nut, Bracket	4	
	99952 0800	Washer, Plain	2	
21	1004 99 281B	Rear Damper Set	2	
	1004 99 281C	Rear Damper Set	2	$\frac{73}{16}$ " ~ O
22	0223 28 775	Bush, Rubber	8	
23	0259 28 778	Grommet	2	
● 24	1757 99 283	Torque Rod Kit	1	From Car No. 1

REAR SUSPENSION (WAGON)

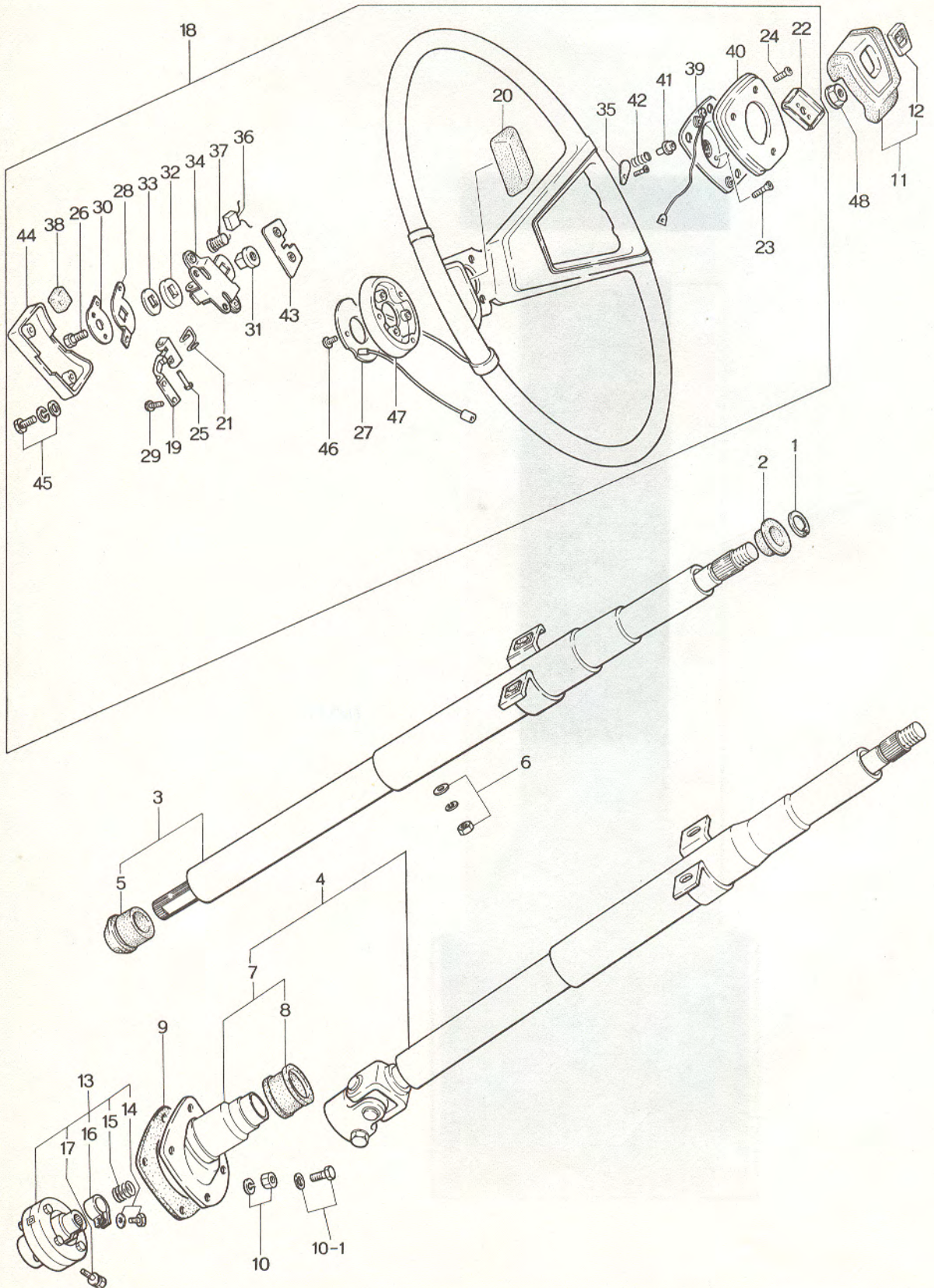
28

No.	Part Number	Description	Q'ty	Remarks
1	1029 28 010A	Spring, Rear	2	
●	1029 28 010B	Spring, Rear	2	From Car No. 1
●	1029 28 010C	Spring, Rear	2	$\frac{3}{16}$ " X
	1029 28 011	Spring No. 1, Leaf	2	
	1029 28 012	Spring No. 2, Leaf	2	
	1029 28 013	Spring No. 3, Leaf	2	
	1029 28 014	Spring No. 4, Leaf	2	
	1029 28 015	Spring No. 5, Leaf	2	
	1029 28 016	Helper, Leaf	2	
●	1029 28 016A	Helper, Leaf	2	$\frac{3}{16}$ " X
2	0223 28 110A	Pin, Spring	2	
3	99921 1200	Nut, Spring Pin	2	
	99971 1200	Washer, Spring	2	
4	99811 0820	Bolt, Spring Pin	4	
	99921 0800	Nut	4	
	99971 0800	Washer, Spring	4	
5	0223 28 140	Plate, Shackle	2	
6	0223 28 142	Plate, No. 2 Shackle	2	
7	1029 28 150	Clamp, Spring	2	
8	99921 1200	Nut, Spring Clamp	8	
	99971 1200	Washer, Spring	8	
9	1029 28 161	Bolt, Lock	4	

REAR SUSPENSION (WAGON)

No.	Part Number	Description	Q'ty	Remarks
10	1029 28 170	Bracket, Damper (R)	1	
	1029 28 190	Bracket, Damper (L)	1	
11	99785 0825	Bolt, Damper Bracket	6	
	99971 0800	Washer, Spring	6	
12	0223 28 181	Pad, Rubber - Upper	2	
13	0223 28 182	Pad, Rubber - Lower	2	
14	1029 28 183A	Holder, Rubber Pad	2	
15	1011 28 320A	Bumper, Bound	2	
●	1011 28 320B	Bumper, Bound	2	$\frac{7}{16}$ ~○
16	0223 28 333	Bush, Rubber - Front Side	4	
	1029 28 333	Bush, Rubber - Front Side	4	$\frac{73}{12}$ ~○
17	0223 28 343	Bush, Rubber - Rear Side	8	
	1029 28 343	Bush, Rubber - Rear Side	8	$\frac{73}{12}$ ~○
18	99921 1200	Nut, Shackle Plate	4	
	99971 1200	Washer, Spring	4	
19	1010 28 350A	Rubber, Stopper	1	
20	99794 0820	Bolt, Stopper Rubber	2	
21	1029 28 390	Bracket, Stopper Rubber	1	
22	99940 0800	Nut, Bracket	4	
	99952 0800	Washer, Plain	2	
23	1004 99 281B	Rear Damper Set	2	
	1004 99 281C	Rear Damper Set	2	$\frac{73}{11}$ ~○
●	1029 99 281	Rear Damper Set	2	$\frac{74}{10}$ ~△
24	0223 28 775	Bush, Rubber	8	
25	0259 28 778	Grommet	2	

STEERING SYSTEM (WHEEL)



STEERING SYSTEM (WHEEL)

32

No.	Part Number	Description	Q'ty	Remarks
1	0208 32 059	Ring, Stop	1	
2	0259 32 071	Bush, Shaft Support (Included 1175 32 100) in 3527 32 100)	1	
3	1011 32 100	Shaft, Energy Absorber - Without P.S.	1	
	1175 32 100	Shaft, Energy Absorber - Without P.S.	1	$\frac{7}{12} \sim \Delta$
4	3527 32 100	Shaft, Energy Absorber - With P.S.	1	
	3527 32 100B	Shaft, Energy Absorber - With P.S.	1	From Car No. 1
5	1011 32 089	Bush, Without P.S.	1	
6	99901 0800	Nut, Energy Absorber Shaft	2	
	99952 0800	Washer, Plain	2	
	99971 0800	Washer, Spring	2	
7	1757 32 410C	Plate, Set	1	Included in 3527 32 100B
8	1011 32 414	Bush	1	
9	1757 32 411A	Cover, Dust	1	
	1757 32 411	Cover, Dust	1	From Car No. 1
	1757 32 411A	Cover, Dust	1	$\frac{7}{16} \sim \bigcirc$
10	99906 0600	Nut, Set Plate	4	
	99906 0600	Nut, Set Plate	3	From Car No. 1
	99940 0603	Nut, Set Plate	3	$\frac{7}{8} \sim \bigcirc$
	99952 0618	Washer, Plain	3	$\frac{7}{8} \sim$ Discarded
10-1	99786 0620	Bolt	1	From Car No. 1
	99952 0618	Washer, Plain	1	
11	1793 32 800	Cap, Horn (BLK.)	1	
12	1727 32 811	Emblem	1	

STEERING SYSTEM (WHEEL)

No.	Part Number	Description	Q'ty	Remarks
13	0187 32 850A	Joint, Steering	1	
14	99781 0825	Bolt	1	
	99971 0800	Washer, Spring	1	
15	0187 32 860	Spring (Without P.S.)	1	
16	0187 32 886B	Clamp, Steering Joint	1	
17	99781 0832	Bolt	1	
	99971 0800	Washer, Spring	1	
18	1175 32 980	Boss Wheel, Steering (BLK)	1	
19	1011 32 011A	Lever, Horn	2	
20	1011 32 012	Button, Horn	2	
21	1011 32 013A	Spring	2	
22	1011 32 014	Cap, Spring	1	
23	99831 0308	Screw	6	
24	99863 0312	Screw	6	
25	1011 32 015	Shaft, Horn Lever	2	
26	1011 32 016	Bolt	2	
27	1011 32 018	Terminal	1	
28	1011 32 023A	Plate, Earth "A"	2	

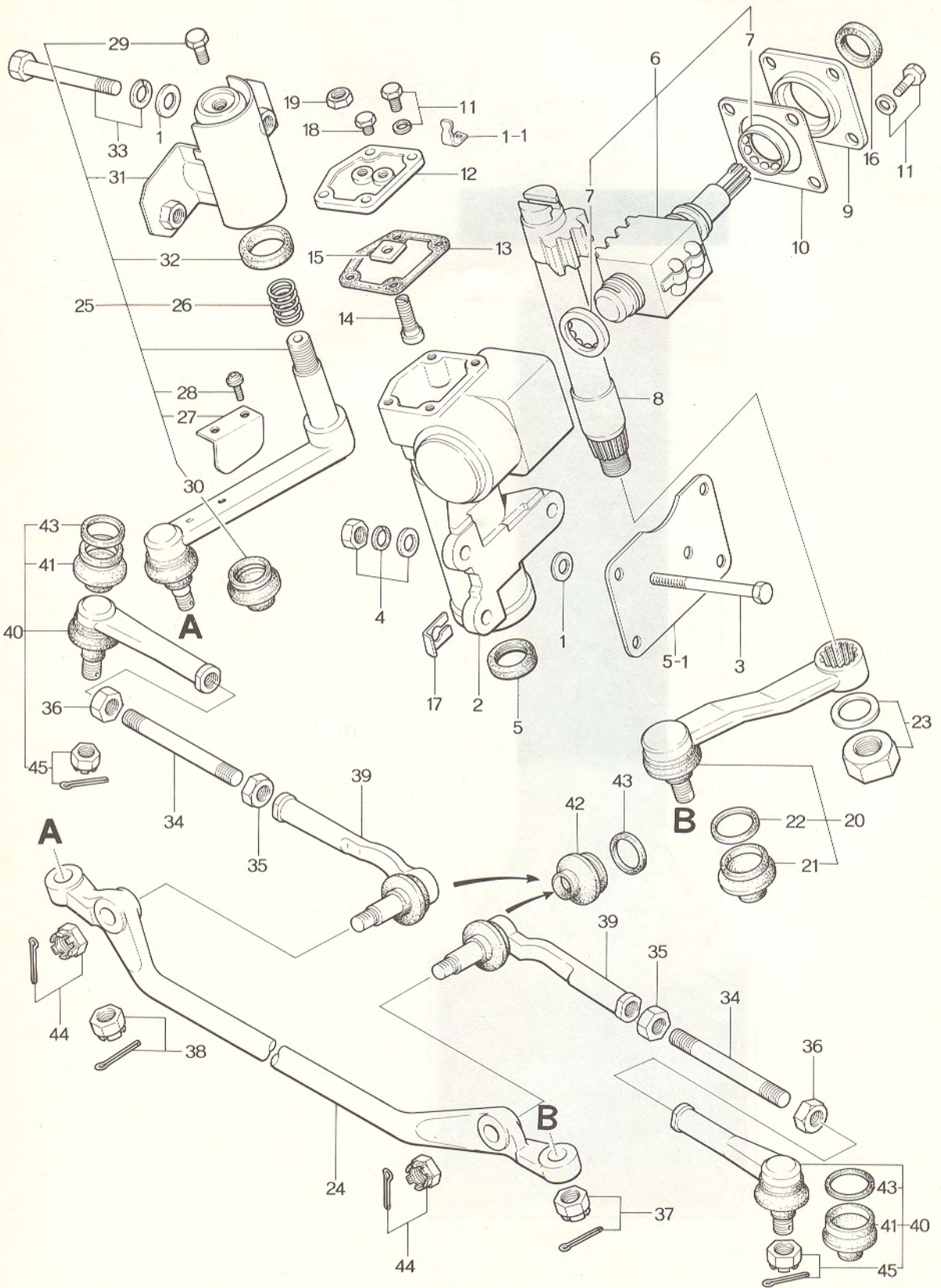
STEERING SYSTEM (WHEEL)

32

No.	Part Number	Description	Q'ty	Remarks
29	99863 0310	Screw	4	
30	1011 32 024	Plate, Earth "B"	2	
31	1011 32 026A	Insulator "A"	2	
32	1011 32 027A	Insulator "B"	2	
33	1011 32 028	Insulator "C"	2	
34	1011 32 029A	Support, Lever	2	
35	1175 32 030	Plate, Earth "C"	1	
36	1011 32 031	Condenser	2	
37	1011 32 032	Coil, Choke	2	
38	1011 32 033	Supporter	2	
39	1175 32 041	Plate, Set	1	
40	1175 32 042	Cap Set	1	
41	1175 32 043	Insulator "D"	3	
42	1175 32 044	Spring	3	
43	1011 32 047	Cover, Horn Button	2	
44	1011 32 048	Cover, Under	2	
45	99833 0410	Screw, Under Cover	4	
	99952 0400	Washer, Plain	4	
	99971 0400	Washer, Spring	4	
46	99863 0308	Screw, Tapping	3	

STEERING SYSTEM (WHEEL)

No.	Part Number	Description	Qty	Remarks
47	1011 32 049	Cover, Wheel Core	1	
29	08883 0310	Screw		
30	1011 32 024	Plate, Earth "B"		
31	1011 32 028A	Insulator 1		
32	1011 32 027A	Insulator 2		
33	1011 32 028	Insulator 3		
34	1011 32 028A	Support 1		
35	1125 32 080	Plate, Earth "C"		
36	1011 32 081	Conductor		
37	1011 32 008	Coil, Spring		
38	1011 32 008	Support 2		
39	1125 32 041	Plate, Earth "D"		
40	1125 32 042	Capacitor		
41	1125 32 043	Insulator "D"		
42	1125 32 044	Spring		
43	1011 32 047	Cover, Horn Button		
44	1011 32 048	Cover, Under		
45	08883 0470	Screw, Under Cover		
46	08883 0400	Washer, Plain		
47	08871 0400	Washer, Spring		
48	08883 0308	Screw, Tapping		



STEERING SYSTEM (GEAR & ROD)

32

No.	Part Number	Description	Q'ty	Remarks
1	0305 32 119	Washer, Plain - Steering Gear & Idler Arm	5	
1-1	1708 32 107	Clip, Gear Housing	1	From Car No. 1
2	1708 32 120	Housing, Gear	1	
3	99781 1085	Bolt, Gear Housing	3	
	99781 1090	Bolt, Gear Housing	3	$\frac{3}{8}$ ~ Δ
●	99781 1092	Bolt, Gear Housing	3	$\frac{3}{8}$ ~ Δ
4	99921 1000	Nut, Gear Housing	3	
	99951 1022	Washer, Plain	3	
	99971 1000	Washer, Plain	3	
5	99583 28388	Oil Seal, Sector Shaft	1	
● 5-1	1175 32 119A	Plate, Gear Housing	1	$\frac{3}{4}$ ~ Added Anew
6	2113 32 130	Ball Nut, Worm	1	
7	0259 32 182	Bearing, Worm Ball Nut	2	
8	1011 32 141	Shaft, Sector	1	
9	0820 32 151	Cover, End	1	
10	0259 32 154	Shim, End Cover. (t=0.05)	} Selective use	
	0259 32 155	Shim (t=0.075)		
	0259 32 156	Shim (t=0.1)		
	0259 32 157	Shim (t=0.2)		
11	99781 0816	Bolt, Cover	8	
	99971 0800	Washer, Spring	8	
12	0259 32 160	Cover, Side	1	

STEERING SYSTEM (GEAR & ROD)

No.	Part Number	Description	Q'ty	Remarks
13	0259 32 163	Gasket, Side Gear	1	
14	0180 32 165A	Screw, Adjust - Sector	1	
15	0180 32 171A	Shim, Adjust (t=1.95)	1	Selective use
	0180 32 172A	Shim, Adjust (t=2.00)		
	0180 32 173A	Shim, Adjust (t=2.05)		
	0180 32 174A	Shim, Adjust (t=2.10)		
16	0180 32 184	Oil Seal	1	
17	0208 32 188	Shim, Adjust - Iidler Arm - Selective use	1	
18	0820 32 190	Plug, Oil - Gear Housing	1	
19	99922 1000	Nut, Adjust Screw	1	
20	0437 32 220	Arm, Pitman	1	
	3527 32 220	Arm, Pitman	1	
	1757 32 220	Arm, Pitman	1	
21	0730 32 279	Seal, Dust	1	$\frac{7}{8}$ " ~ O
	1175 32 279	Seal, Dust	1	$\frac{7}{8}$ " ~ X
22	0187 32 289	Ring Set	1	$\frac{7}{8}$ " ~ X
23	99921 2000	Nut, Pitman Arm	1	
	99971 2000	Washer, Spring	1	
24	1708 32 261	Link, Center	1	
	1757 32 261A	Link, Center	1	$\frac{7}{8}$ " ~ X
25	1708 32 320A	Arm, Iidler	1	

STEERING SYSTEM (GEAR & ROD)

32

No.	Part Number	Description	Q'ty	Remarks
26	0111 32 173	Spring	1	
27	1011 32 230	Insulator	1	
	1011 32 227A	Insulator	1	From Car No. 1
28	99833 0408	Screw, Insulator	1	
●	99833 0408	Screw, Insulator	2	$\frac{7}{8}$ ~Q'ty
	99971 0400	Washer, Spring	1	
●	99971 0400	Washer, Spring	2	$\frac{7}{8}$ ~Q'ty
29	0208 32 278	Plug	1	
30	0866 32 279	Seal, Dust	1	
31	1708 32 330	Bracket	1	
●	1708 32 330A	Bracket	1	$\frac{7}{12}$ ~○
32	2113 32 356	Oil Seal	1	
33	99781 1080	Bolt, Idler Arm	2	
	99971 1000	Washer, Spring	2	
34	0305 32 365	Rod, Tie	2	
35	99922 1400	Nut, Tie Rod (Right Hand Screw)	2	
36	99944 1400	Nut, Tie Rod (Left Hand Screw)	2	
37	99924 1000	Nut, Pitman Arm	1	
●	99924 1201	Nut, Pitman Arm	1	$\frac{7}{8}$ ~×
	99221 2020	Pin, Split	1	
●	99221 3015	Pin, Split	1	$\frac{7}{8}$ ~×
38	99924 1000	Nut, Split-Idler Arm	1	
	99221 2015	Pin, Split	1	
39	1027 99 322	Socket Set, Inner	2	
	1177 99 322	Socket Set, Inner	2	$\frac{7}{11}$ ~△
●	1175 99 322	Socket Set, Inner	2	$\frac{7}{8}$ ~×

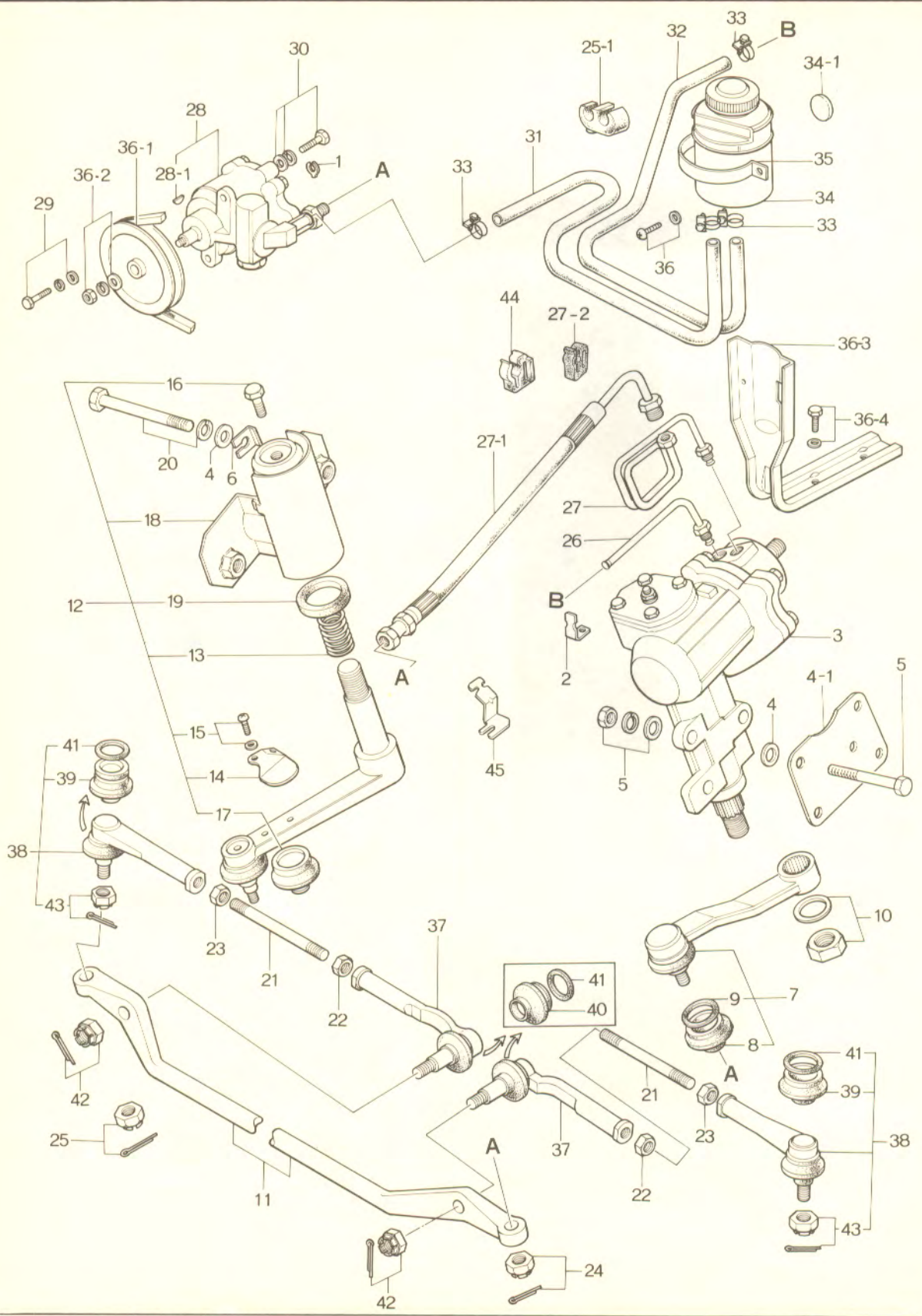
STEERING SYSTEM (GEAR & ROD)

No.	Part Number	Description	Q'ty	Remarks
40	0866 99 324	Socket Set, Outer	2	
	1177 99 324	Socket Set, Outer	2	$\frac{73}{11} \sim \triangle$
●	1175 99 324	Socket Set, Outer	2	$\frac{75}{2} \sim \times$
41	0730 32 279	Seal, Dust-Outer	2	
●	3527 32 279	Seal, Dust-Outer	2	$\frac{75}{2} \sim \times$
42	1027 32 279	Seal, Dust-Inner	2	
●	1175 32 279	Seal, Dust-Inner	2	$\frac{75}{2} \sim \times$
43	0187 32 289	Ring, Set	4	
●	1823 32 289	Ring, Set	4 4	$\frac{74}{7} \sim \circ$ $\frac{75}{2} \sim$ Discarded
44	99924 1000	Nut, Socket	2	
●	99924 1201	Nut, Socket	2	$\frac{75}{2} \sim \times$
	99221 2015	Pin, Split	2	
●	99221 3015	Pin, Split	2	$\frac{75}{2} \sim \times$
45	99924 1000	Nut, Socket	2	
●	99924 1201	Nut, Socket	2	$\frac{75}{2} \sim \times$
	99221 2020	Pin, Split	2	
●	99221 3015	Pin, Split	2	$\frac{75}{2} \sim \times$



STEERING SYSTEM

(GEAR & ROD, POWER STEERING)



STEERING SYSTEM₂

(GEAR & ROD, POWER STEERING)

32

No.	Part Number	Description	Q'ty	Remarks
1	0222 18 375	Shim (t=0.3)	1	Selective use
	0222 18 376	Shim (t=0.5)		
	0222 18 377	Shim (t=0.15)		
2	1708 32 107	Clip	1	
3	3527 32 110	Gear, Steering	1	
	3527 32 110B	Gear, Steering	1	From Car No. 1
●	3527 32 110C	Gear, Steering	1	$7\frac{3}{2}$ ~
4	0305 32 119	Washer, Steering Gear	5	
● 4-1	1175 32 119A	Plate, Steering Gear	1	$7\frac{4}{7}$ ~ Added Anew
	5 99781 1090	Bolt, Steering Gear	3	
●	99781 1092	Bolt, Steering Gear	3	$7\frac{4}{7}$ ~ △
	99921 1000	Nut, Steering Gear	3	
●	99951 1022	Washer, Plain	3	$7\frac{4}{7}$ ~ Added Anew
	99971 1000	Washer, Spring	3	
6	0208 32 188	Shim, Adjust - Idler - Selective use	1	
7	0437 32 220	Arm, Pitman	1	
	3527 32 220	Arm, Pitman	1	$7\frac{3}{11}$ ~ ○
●	1757 32 220	Arm, Pitman	1	$7\frac{5}{2}$ ~ X
8	0730 32 279	Seal, Dust	1	
●	1175 32 279	Seal, Dust	1	$7\frac{5}{2}$ ~ X
9	0187 32 289	Ring Set	1	
10	99921 2000	Nut, Pitman Arm	1	
	99971 2000	Washer, Spring	1	
11	1708 32 261	Link, Center	1	
●	1757 32 261A	Link, Center	1	$7\frac{5}{2}$ ~ X
12	1708 32 320A	Arm, Idler	1	

STEERING SYSTEM

(GEAR & ROD, POWER STEERING)

No.	Part Number	Description	Q'ty	Remarks
13	0111 32 173	Spring	1	
14	1011 32 230	Insulator	1	
	1011 32 227 A	Insulator	1	From Car No. 1
15	99833 0408	Screw, Insulator	1	
	99971 0400	Washer, Spring	1	
16	0208 32 278	Plug	1	
17	0866 32 279	Seal, Dust	1	
18	1708 32 330	Bracket	1	
●	1708 32 330 A	Bracket	1	$\frac{75}{2} \sim \bigcirc$
19	2113 32 356	Oil Seal	1	
20	99781 1080	Bolt, Idler Arm	2	
	99971 1000	Washer, Spring	2	
21	0305 32 365	Rod, Tie	2	
22	99922 1400	Nut, Tie Rod (Right Hand Screw)	2	
23	99944 1400	Nut, Tie Rod (Left Hand Screw)	2	
24	99924 1000	Nut, Pitman Arm	1	
●	99924 1201	Nut, Pitman Arm	1	$\frac{75}{2} \sim \times$
	99221 2020	Pin, Split	1	
●	99221 3015	Pin, Split	1	$\frac{75}{2} \sim \times$
25	99924 1000	Nut, Idler Arm	1	
	99221 2015	Pin, Split	1	
25-1	1177 32 417	Holder, Hose	1	$\frac{73}{10} \sim$ Added Anew
26	2527 32 440	Pipe, Return	1	
	3527 32 440 A	Pipe, Return	1	$\frac{73}{10} \sim \times$
27	3527 32 470	Hose, Pressure	1	From Car No. 1 ~ Discarded
	3527 32 430	Pipe, Pressure	1	From Car No. 1
	3527 32 430 A	Pipe, Pressure	1	$\frac{73}{11} \sim \triangle$
27-1	3527 32 480	Hose, Pressure	1	From Car No. 1
● 27-2	3527 32 433	Protector, Pipe	1	$\frac{74}{11} \sim$ Added Anew

STEERING SYSTEM

(GEAR & ROD, POWER STEERING)

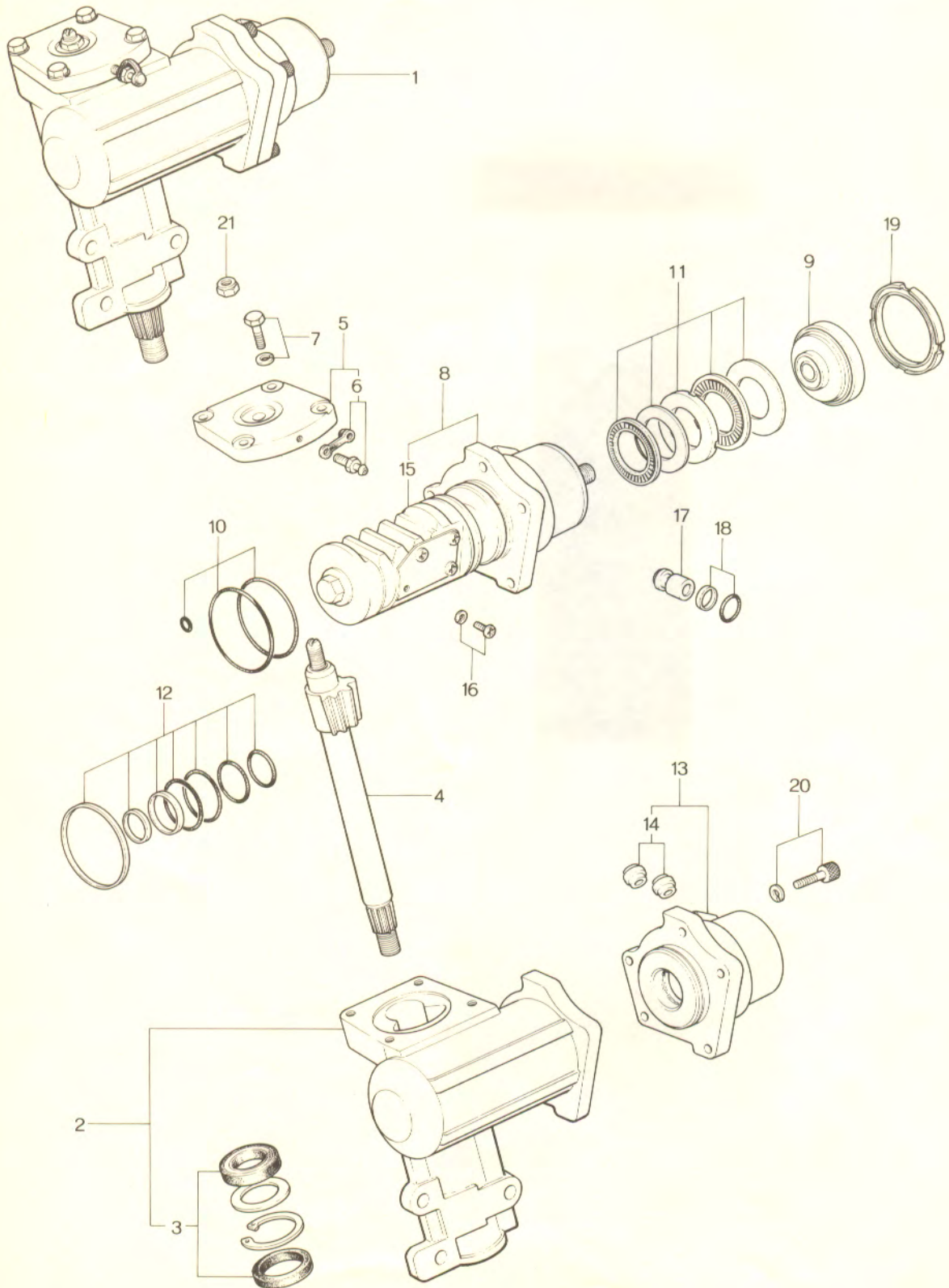
No.	Part Number	Description	Q'ty	Remarks
28	3527 32 600	Pump, Vane	1	
	3527 32 600 C	Pump, Vane	1	From Car No. 1
28-1	99239 0416	Key	1	From Car No. 1
29	99811 1025	Bolt, Vane Pump	2	
	99952 1000	Washer, Plain	2	
	99971 1000	Washer, Spring	2	
30	99811 1022	Bolt, Vane Pump	1	
	99971 1000	Washer, Spring	1	
	99952 1022	Washer, Plain	1	From Car No. 1
31	3527 32 681	Hose	1	
	3527 32 681 A	Hose	1	$\frac{7}{10}$ ~ X
	1177 32 681	Hose	1	$\frac{7}{12}$ ~ X
32	3527 32 687	Hose, Return	1	
	3527 32 687 A	Hose, Return	1	$\frac{7}{10}$ ~ X
	3527 32 687 B	Hose, Return	1	$\frac{7}{12}$ ~ X
33	99282 1800	Clamp, Hose	4	
	99282 2000	Clamp, Hose	4	$\frac{7}{1}$ ~ O
	99282 1800	Clamp, Hose	3	$\frac{7}{9}$ ~ Q'ty
34	3527 32 740	Tank, Reserve	1	$\frac{7}{9}$ ~ X
	3527 32 740 B	Tank, Reserve	1	From Car No. 1
	3527 32 740 C	Tank, Reserve	1	
34-1	3527 32 743	Magnet, Reserve Tank	1	$\frac{7}{4}$ ~ Δ
35	3527 32 745	Holder, Reserve Tank	1	$\frac{7}{10}$ ~ Added Anew
36	99865 0512	Screw, Reserve Tank Holder	1	
36-1	3527 32 601	Pulley	1	From Car No. 1
36-2	99922 1000	Nut, Pulley	1	} From Car No. 1
	99952 1000	Washer, Plain	1	
	99971 1000	Washer, Spring	1	

STEERING SYSTEM

(GEAR & ROD, POWER STEERING)

No.	Part Number	Description	Q'ty	Remarks
36-3	3527 32 750	Bracket, Reserve Tank	1	$\frac{73}{12}$ ~ Added Anew
36-4	99786 0612	Bolt, Bracket	2	$\frac{73}{12}$ ~ Added Anew
	99951 0618	Washer, Plain	2	$\frac{73}{12}$ ~ Added Anew
37	1027 99 322	Socket Set	2	
	1177 99 322	Socket Set	2	$\frac{73}{11}$ ~ Δ
	1175 99 322	Socket Set	2	$\frac{75}{2}$ ~ X
38	0866 99 324	Socket Set	2	
	1177 99 324	Socket Set	2	$\frac{73}{11}$ ~ Δ
	1175 99 324	Socket Set	2	$\frac{75}{2}$ ~ X
39	0730 32 279	Seal, Dust - Outer	2	
●	3527 32 279	Seal, Dust - Outer	2	$\frac{75}{2}$ ~ X
40	1027 32 279	Seal, Dust - Inner	2	
●	1175 32 279	Seal, Dust - Inner	2	$\frac{75}{2}$ ~ X
41	0187 32 289	Ring Set	4	
	1823 32 289	Ring Set	4	$\frac{74}{7}$ ~ \bigcirc $\frac{75}{2}$ ~ Discarded
42	99924 1000	Nut	2	
●	99924 1201	Nut	2	$\frac{75}{2}$ ~ X
	99221 2015	Pin, Split	2	
●	99221 3015	Pin, Split	2	$\frac{75}{2}$ ~ X
43	99924 1000	Nut	2	
●	99924 1201	Nut	2	$\frac{75}{2}$ ~ X
	99221 2020	Pin, Split	2	
●	99221 3015	Pin, Split	2	$\frac{75}{2}$ ~ X
44	1011 60 081	Protector, Hose	1	$\frac{73}{11}$ ~ Added Anew
45	1708 43 951A	Clip, Hose	1	$\frac{73}{11}$ ~ Added Anew





STEERING GEAR (POWER STEERING)

32

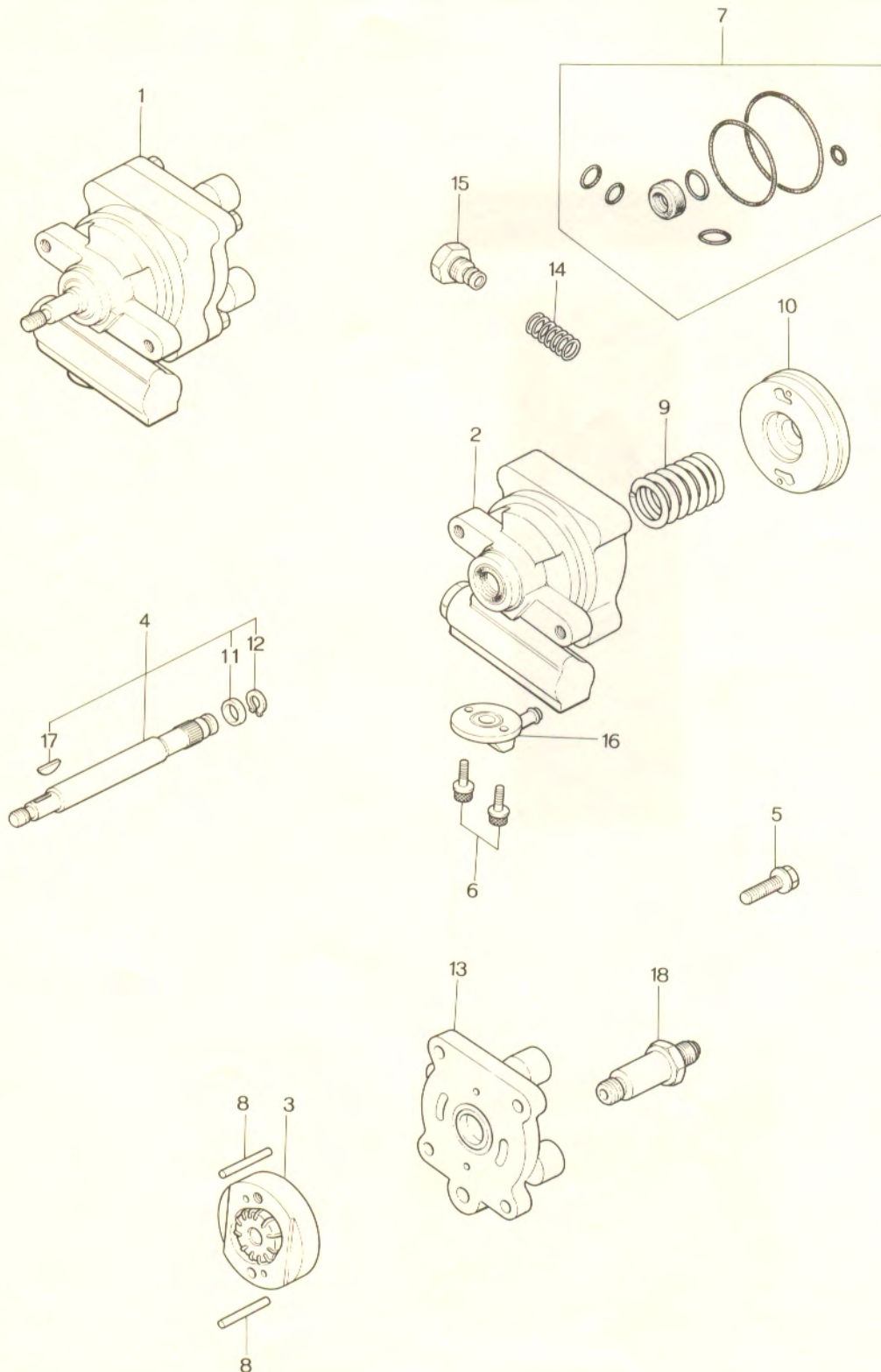
49

No.	Part Number	Description	Q'ty	Remarks
1	3527 32 110B	Gear, Steering	1	
●	3527 32 110C	Gear, Steering	1	$\frac{74}{10} \sim \Delta$
2	3527 49 120	Housing, Gear (Fig. No. 3 included)	1	
3	3527 49 210	Seal Kit	1	
4	3527 49 140	Shaft, Sector	1	
5	3527 49 160	Cover, Side (Fig. No. 6 included)	1	
6	3527 49 280	Bleeder Kit	1	
7	3527 49 170	Bolt & Washer Kit	1	
8	3527 49 180	Valve & Piston (Fig. No. 9~19 included)	1	
9	3527 49 220	Plug, Adjust	1	
10	3527 49 230	Seal Kit	1	
11	3527 49 240	Bearing Kit	1	
12	3527 49 250	Seal Kit	1	
13	3527 49 260	Housing, Valve (Fig. No. 14 included)	1	
14	3527 49 310	Ferrule Kit	1	
15	3527 49 270	Valve & Piston (Fig. No. 16~18 included)	1	
16	3527 49 320	Bolt & Washer Kit	1	
17	3527 49 330	Plunger	2	
18	3527 49 340	Seal Kit	1	
19	3527 49 189	Nut, Lock	1	

STEERING GEAR (POWER STEERING)

No.	Part Number	Description	Q'ty	Remarks
20	3527 49 190	Bolt & Washer Set	1	
21	3527 49 929	Nut, Lock	1	

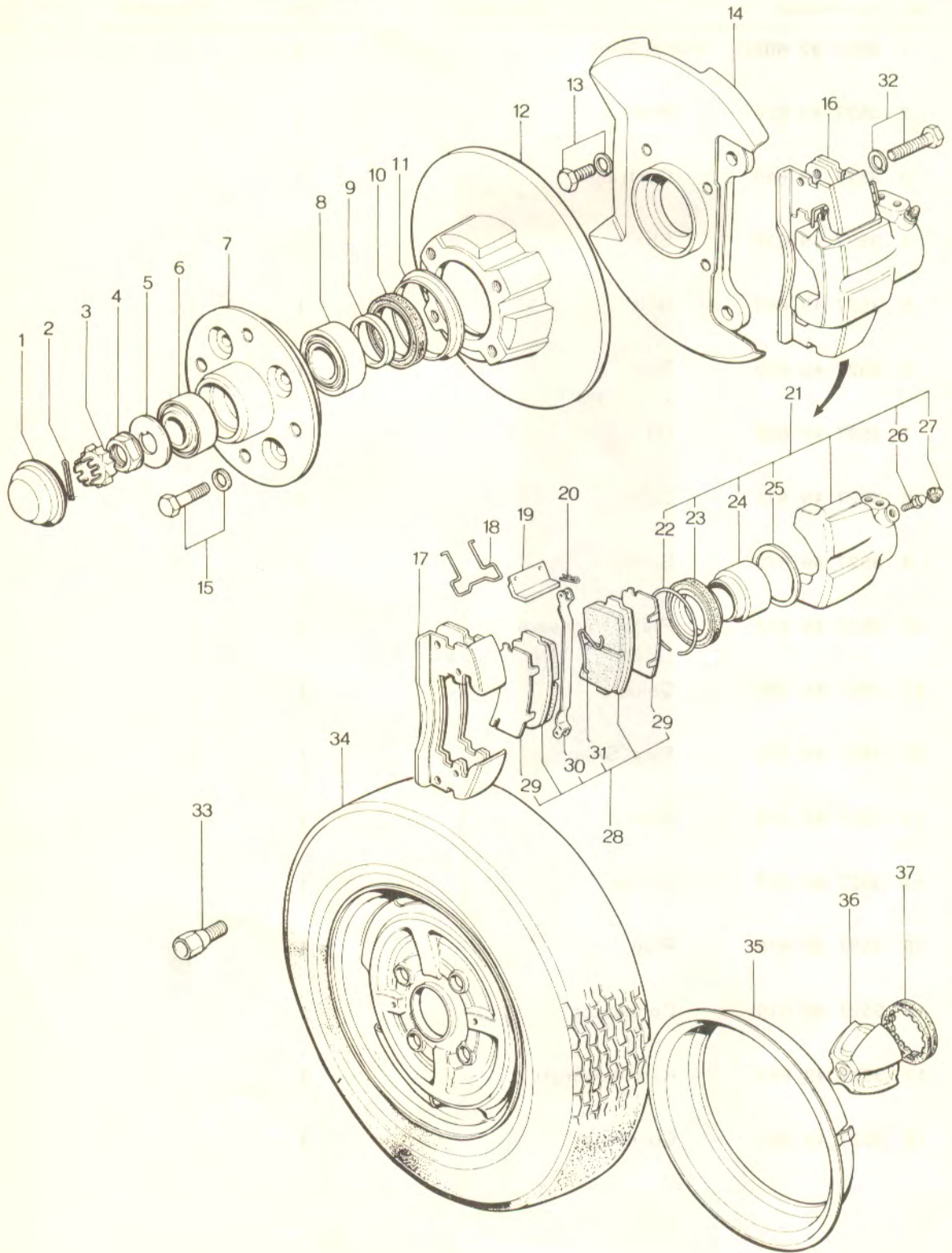




VANE PUMP (POWER STEERING)

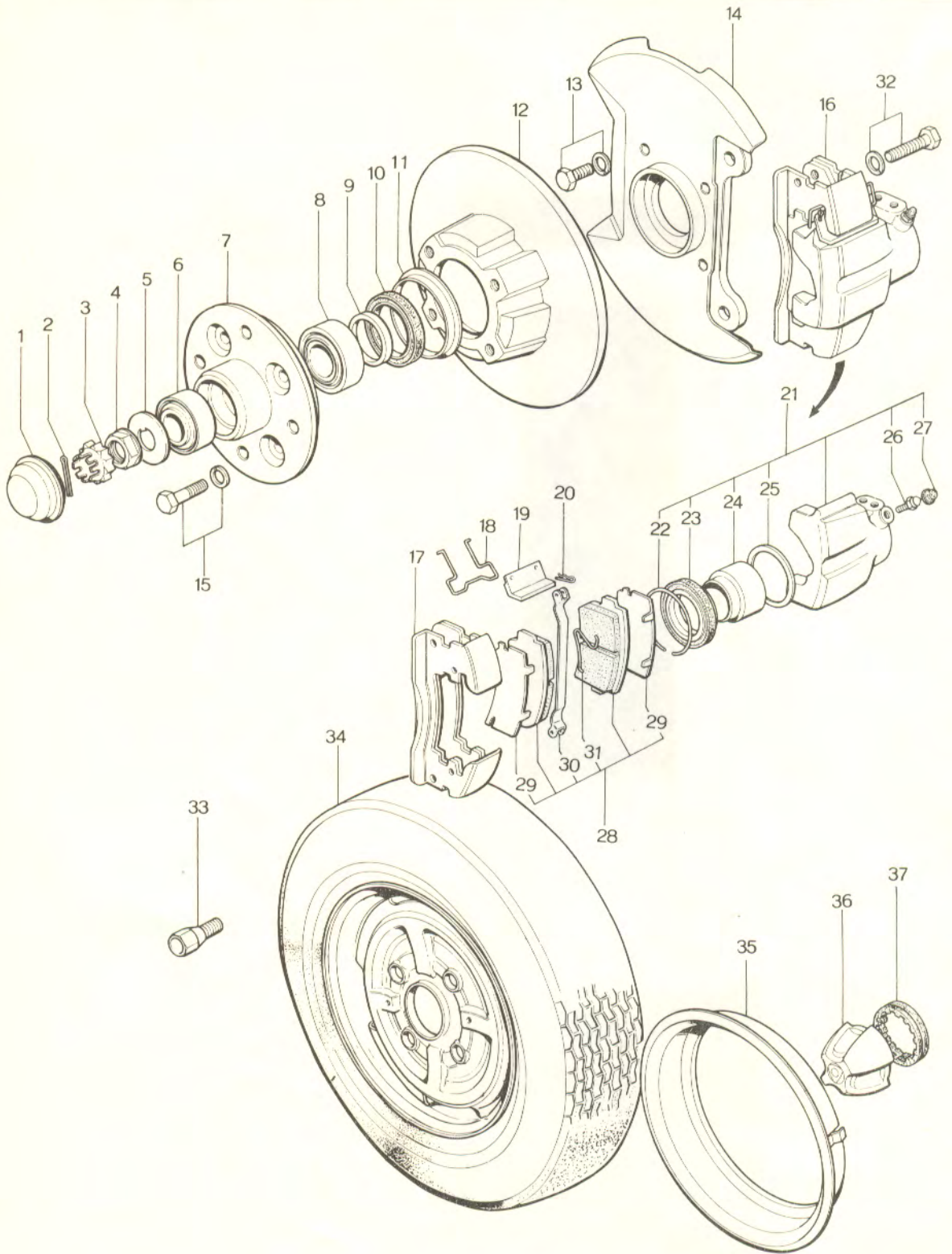
32**49**

No.	Part Number	Description	Q'ty	Remarks
1	3527 32 600C	Pump, Vane	1	
2	3527 49 610	Body	1	
3	3527 49 620	Cartridge	1	
4	3527 49 630	Shaft	1	
5	3527 49 640	Bolt	1	
6	3527 49 650	Bolt	1	
7	3527 49 660	Oil Seal	1	
8	3527 49 671	Dowel	1	
9	3527 49 672	Spring	1	
10	3527 49 673	Plate, Pressure	1	
11	3527 49 674	Collar	1	
12	3527 49 675	Ring, Snap	1	
13	3527 49 676	Cover	1	
14	3527 49 677	Spring	1	
15	3527 49 678	Plug	1	
16	3527 49 679	Connector	1	
17	3527 49 681	Key, Woodruff	1	
18	3527 49 682	Connector	1	





FRONT AXLE

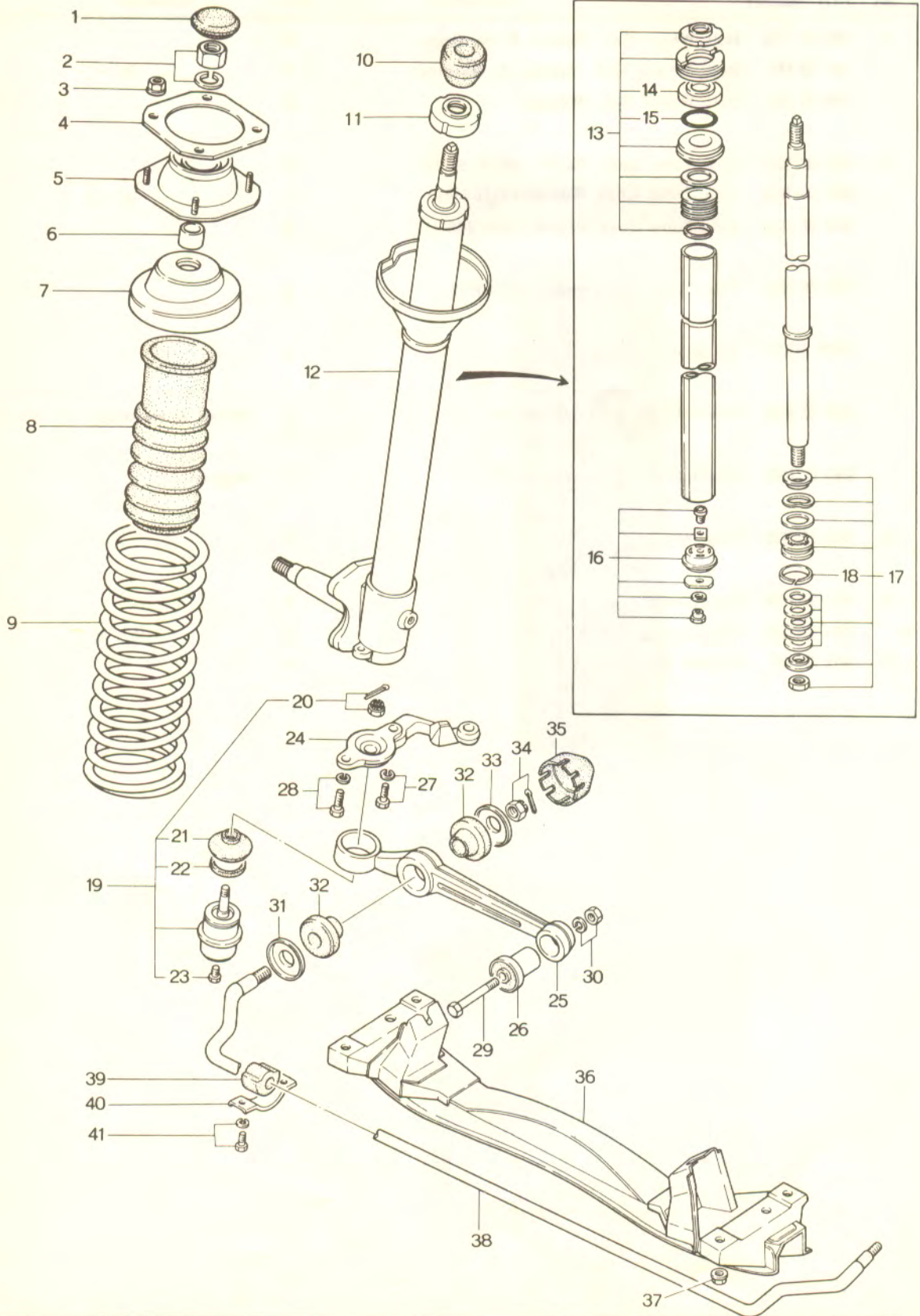


No.	Part Number	Description	Q'ty	Remarks
1	0259 33 071	Cap, Hub	2	
2	99221 4030	Pin, Split	2	
3	0317 33 049	Cover, Set	2	
4	0662 33 042	Nut	2	
5	1011 33 043	Washer, Tab	2	
6	0317 33 075	Bearing, Front Wheel Outer	2	
7	0820 33 091A	Hub, Wheel	2	
	1757 33 091	Hub, Wheel	2	$\frac{73}{11} \sim \Delta$
	0820 33 091B	Hub, Wheel	2	$\frac{73}{11} \sim \bigcirc$
8	0613 33 047	Bearing, Front Wheel Inner	2	
9	0613 33 041	Spacer, Bearing	2	
10	0398 33 065	Oil Seal	2	
11	0221 33 035	Cover, Dust	2	
12	0305 33 251B	Plate, Disc	2	
13	99811 1020	Bolt, Mounting Adapter	8	
	99971 1000	Washer, Spring	8	
14	1011 33 260	Adapter, Mounting	2	
15	0221 33 698	Bolt, Disc Plate	8	
	99971 1000	Washer, Spring	8	
16	0305 33 980D	Brake (R), Disc	1	
	0305 33 980E	Brake (R), Disc	1	$\frac{73}{12} \sim \Delta$
	0305 33 990D	Brake (L), Disc	1	
	0305 33 990E	Brake (L), Disc	1	$\frac{73}{12} \sim \Delta$

No.	Part Number	Description	Q'ty	Remarks
17	0305 33 280	Support, Mounting	2	
18	0305 33 696	Spring	4	
19	0305 33 695	Plug, Support	4	
20	0305 33 698A	Pin	8	
21	0305 33 610D	Body & Piston (R)	1	} Fig. No. 22~27 Included
	0305 33 710D	Body & Piston (L)	1	
22	0305 33 685	Ring, Boot	2	
●	0305 33 685A	Ring, Boot	2	$\frac{3}{4}$ "~○
23	2981 33 681	Boot	2	
●	2981 33 681A	Boot	2	$\frac{3}{4}$ "~○
24	2981 33 651	Piston	2	
25	2981 33 671	Seal, Piston	2	
26	0233 33 691	Screw, Bleeder	2	
27	0600 33 693	Cap, Rubber	2	
28	0841 49 230	Pad Set (Fig. No. 29~31 Included)	1	
	0841 49 230A	Pad Set (Fig. No. 29~31 Included)	1	$\frac{3}{12}$ "~△
29	0305 33 626A	Shim	4	
30	0305 33 235	Clip, Anti-Rattle Pad	4	
31	0296 33 636	Spring (R), Pad	1	
	0296 33 646	Spring (L), Pad	1	
32	0305 33 699	Bolt, Disc Brake	4	
	99971 1200	Washer, Spring	4	

No.	Part Number	Description	Q'ty	Remarks
33	0820 33 165A	Bolt, Wheel Set (Sedan & Hardtop)	8	
	1029 33 165	Bolt, Wheel Set (Sedan & Hardtop)	8	$\frac{7}{8}$ ~ ○
	1029 33 165	Bolt, Wheel Set (Wagon)	8	
34	9062 02 7323	Tire, Tube Less Radial - BR70 SR13	2	
	9062 03 7323	Tire, Tube Less Radial - BR70SR13	2	$\frac{7}{8}$ ~ △
	9062 08 7693	Tire, Tube Less Radial - 195 / 70SR13	2	
	9962 10 1753	Tire, Tube Less Radial - 175SR13	2	
	99636 04130	Valve, Air - TR413	2	
	9965 06 5530	Wheel, Disc - 5 $\frac{1}{2}$ - J × 13WDC	2	(Sedan & Hardtop)
	9965 07 5530	Wheel, Disc - 5 $\frac{1}{2}$ - J × 13WDC	2	(Wagon)
35	1011 37 180A	Ring, Wheel	2	
36	1011 37 191B	Cap, Center	2	
●	1011 37 191C	Cap, Center	2	$\frac{7}{12}$ ~ X
37	1011 37 192	Rubber, Set	2	

FRONT SUSPENSION



FRONT SUSPENSION

34

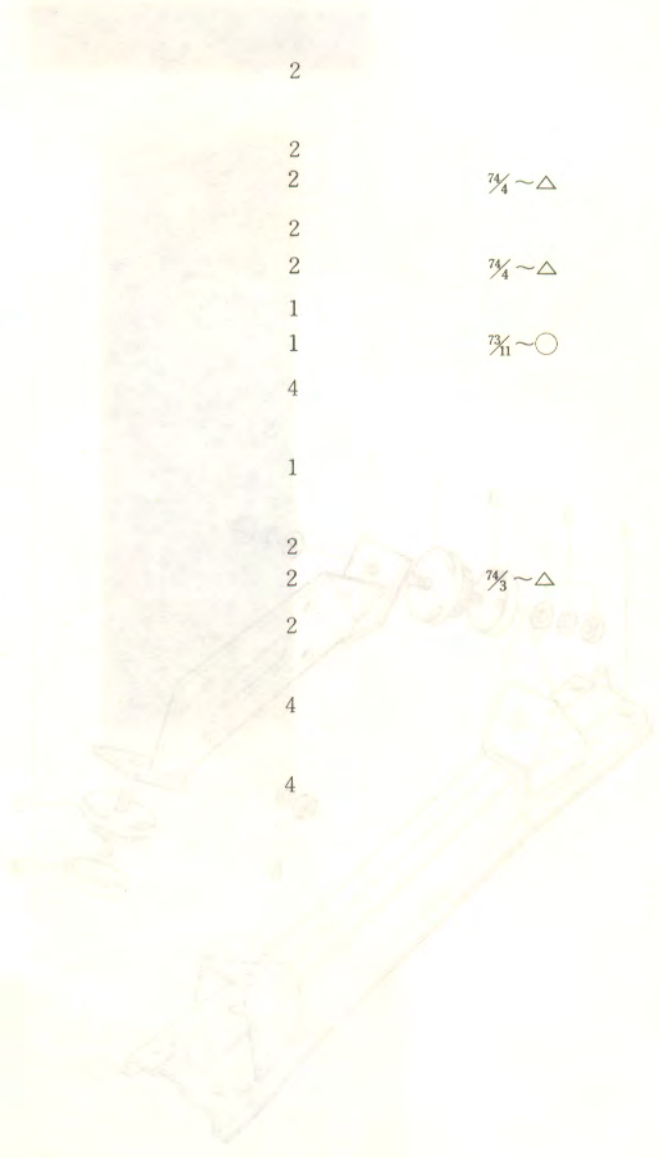
No.	Part Number	Description	Q'ty	Remarks
1	1011 34 019	Cap, Damper	2	
2	99942 1400	Nut, Damper	2	
	99951 1430	Washer, Plain	2	
3	99940 0802	Nut, Mounting Block	8	
4	1011 34 013	Plate, Adjusting	2	
5	1011 34 380A	Block, Mounting	2	
	1011 34 380B	Block, Mounting	2	From Car No. 1
6	1011 34 384	Spacer	2	
7	1011 34 340A	Seat, Spring - Upper	2	
	1757 34 340	Seat, Spring - Upper	2	From Car No. 1
8	0259 34 015	Cover, Dust	2	
9	1757 34 011	Spring, Coil	2	
	1757 34 011A	Spring, Coil	2	From Car No. 1
10	1011 34 111A	Bumper, Bound	2	
11	0866 34 738	Cap	2	
●	0866 34 738A	Cap	2	$\frac{3}{8}$ ~○
12	1757 34 910	Damper, Front	2	
●	1757 34 910A	Damper, Front	2	$\frac{3}{2}$ ~△
13	0259 99 361	Damper Seal Set, Fig. No. 14 , 15 Included	2	
14	0866 34 760	Oil Seal	2	
15	0183 34 731	Ring, "O"	2	
16	0305 34 720	Valve, Base	2	
17	0317 99 362	Piston Set, Fig. No. 18 Included	2	
●	0317 99 362A	Piston Set, Fig. No. 18 Included	2	$\frac{3}{2}$ ~△
18	0259 34 719A	Ring, Piston	2	

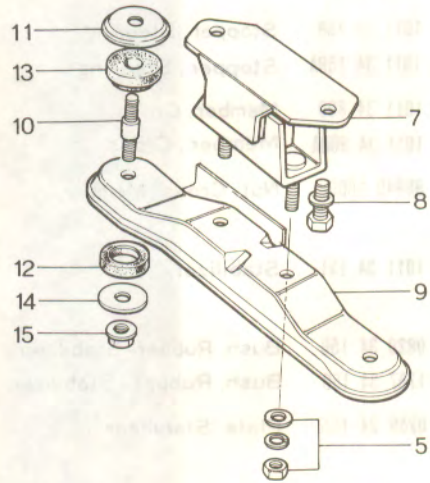
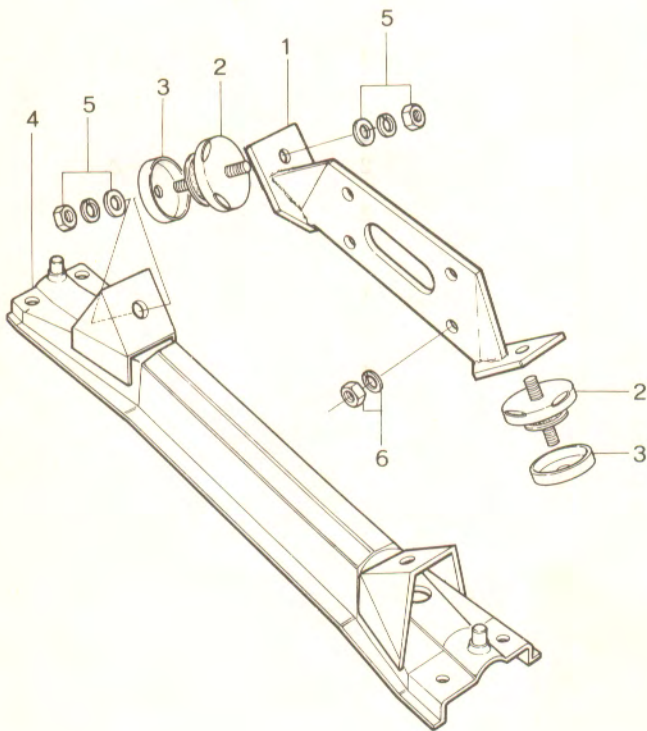
No.	Part Number	Description	Q'ty	Remarks
	1011 34 310 B	Arm (R)	1	
	1011 34 310 D	Arm (R)	1	$\frac{73}{11} \sim \Delta$
●	1011 34 310 F	Arm (R)	1	$\frac{75}{2} \sim \times$
	1011 34 320 B	Arm (L)	1	
	1011 34 320 D	Arm (L)	1	$\frac{73}{11} \sim \Delta$
●	1011 34 320 F	Arm (L)	1	$\frac{75}{2} \sim \times$
19	0866 99 356 A	Ball Joint Set (Fig. No. 20~23 included)	2	
20	99924 1200	Nut, Ball Joint	2	
	99221 3020	Pin, Split	2	
21	0866 34 565	Seal, Dust	2	
22	0187 34 536	Ring, Dust Seal	2	
23	0208 32 278	Plug, Ball Joint	2	
24	1011 32 301 A	Arm (R), Knuckle	1	
	1011 32 301 B	Arm (R), Knuckle	1	$\frac{73}{11} \sim \Delta$
●	1175 32 301 A	Arm (R), Knuckle	1	$\frac{75}{2} \sim \times$
	1011 32 311 A	Arm (L), Knuckle	1	
	1011 32 311 B	Arm (L), Knuckle	1	$\frac{73}{11} \sim \Delta$
●	1175 32 311 A	Arm (L), Knuckle	1	$\frac{75}{2} \sim \times$
25	1011 34 311	Arm	2	
26	0866 34 460	Bush, Arm	2	
27	99781 1225	Bolt, Knuckle Arm	2	
	99971 1200	Washer, Spring	2	
28	99781 1235	Bolt, Knuckle Arm	2	
	99971 1200	Washer, Spring	2	
29	0866 34 313 A	Bolt, Arm	2	
30	99921 1000	Nut, Arm	2	
	99971 1000	Washer, Spring	2	

FRONT SUSPENSION

34

No.	Part Number	Description	Q'ty	Remarks
31	0866 34 157	Washer, Stabilizer & Arm	2	
32	1004 34 153	Bush, Rubber - Stabilizer & Arm	4	
●	1757 34 153	Bush, Rubber - Stabilizer & Arm	4	$\frac{7}{8}$ ~ Δ
33	0866 34 158	Washer, Stabilizer & Arm	2	
34	99923 1400	Nut, Stabilizer & Arm	2	
	99221 3030	Pin, Split	2	
●	99221 3035	Pin, Split	2	$\frac{7}{4}$ ~ Δ
35	1011 34 159	Stopper, Steering	2	
●	1011 34 159A	Stopper, Steering	2	$\frac{7}{4}$ ~ Δ
36	1011 34 800	Member, Cross	1	
●	1011 34 800A	Member, Cross	1	$\frac{7}{11}$ ~ ○
37	99940 1000	Nut, Cross Member	4	
38	1011 34 151	Stabilizer	1	
39	0820 34 156	Bush, Rubber - Stabilizer	2	
●	1757 34 156	Bush, Rubber - Stabilizer	2	$\frac{7}{8}$ ~ Δ
40	0259 34 155	Plate, Stabilizer	2	
41	99783 1035	Bolt, Plate	4	
	99971 1000	Washer, Spring	4	

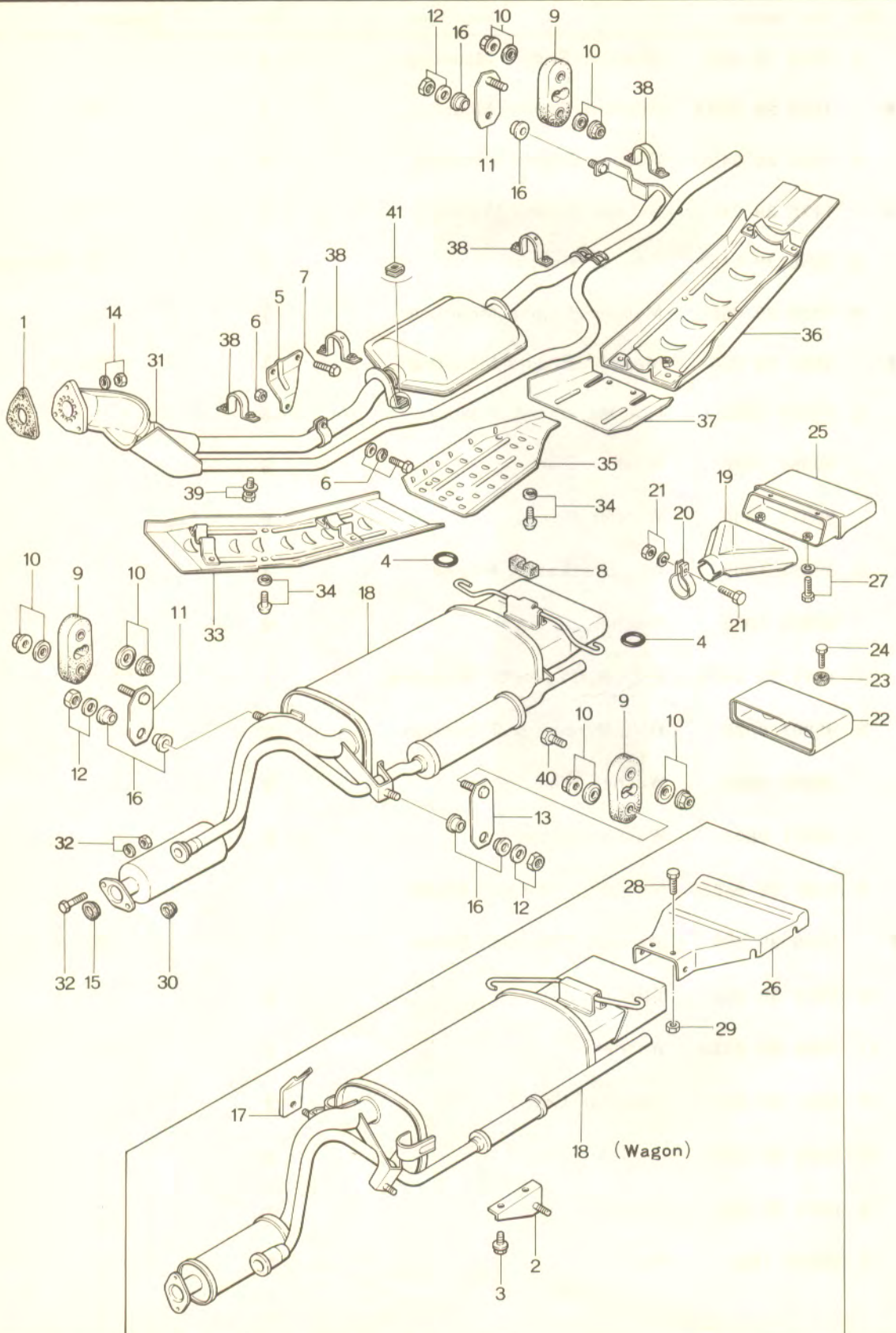




ENGINE & T/MISSION BRACKET

39

No.	Part Number	Description	Q'ty	Remarks
1	1029 39 020	Bracket, Engine Mounting	1	
●	1029 39 020A	Bracket, Engine Mounting	1	$\frac{7}{11} \sim \times$
2	1668 39 040C	Rubber, Engine Mounting	2	
●	1175 39 040	Rubber, Engine Mounting	2	$\frac{7}{11} \sim \times$
3	1668 39 045A	Casing, Stopper	2	$\frac{7}{11} \sim$ Discarded
4	1029 39 060	Member, Engine Mounting	1	
●	3565 39 060	Member, Engine Mounting	1	$\frac{7}{11} \sim \times$
5	99921 1000	Nut, Member & Rubber	6	
	99951 1030	Washer, Plain	6	
	99971 1000	Washer, Spring	6	
6	99921 1000	Nut, Bracket & Engine	4	
	99971 1000	Washer, Spring	4	
7	1011 39 340A	Rubber, T/mission Mounting	1	
8	99801 0820	Bolt, Rubber & T/mission	2	
	99952 0822	Washer, Plain	2	
	99971 0800	Washer, Spring	2	
9	1027 39 380B	Member, T/mission Mount	1	
●	3565 39 380	Member, T/mission Mount	1	$\frac{7}{11} \sim \times$
10	1013 39 382	Stud	2	
11	0884 39 383A	Washer	2	
12	0884 39 384	Insulator, Lower	2	
13	0884 39 385A	Insulator, Upper	2	
14	0884 39 386	Washer	2	
15	99940 1002	Nut	2	



EX. PIPE & SILENCER

40

No.	Part Number	Description	Q'ty	Remarks
1	1757 13 891	Gasket	1	
2	1791 40 040	Bracket	1	} (Wagon)
3	99786 0820	Bolt, Bracket	2	
4	1114 40 061	Hanger, Silencer	2	
5	1757 40 081	Bracket, Pre - Silencer	1	
6	99801 0832	Bolt, Bracket	1	
	99951 0818	Washer	2	
	99971 0800	Washer	1	
	99940 0800	Nut	1	
7	99801 0818	Bolt, Bracket	2	
	99971 0800	Washer, Spring	2	
8	1114 40 1088	Rubber, Stop	1	
9	1114 40 160	Hanger, Silencer	3	
10	99940 0800	Nut	6	
	0820 40 166	Washer	6	
11	1114 40 170	Plate	3	
12	99949 0800	Nut	3	
	99951 0822	Washer, Plain	3	
13	1114 40 190	Plate, Silencer Hanger	1	
14	2158 40 355	Nut	3	

No.	Part Number	Description	Q'ty	Remarks
	99971 1000	Washer, Spring	3	
15	0810 40 356	Gasket, Flange	1	
●	1757 40 356	Gasket, Flange	1	$\frac{7}{5} \sim \Delta$
16	0824 40 401	Insulator, Main Silencer	6	
17	1791 40 405	Insulator, Main Silencer	1	
	1791 40 405A	Insulator, Main Silencer	1	$\frac{7}{2} \sim \Delta$
●	1791 40 405B	Insulator, Main Silencer	1	$\frac{7}{4} \sim \Delta$
18	1757 40 500	Silencer, Main	1	
	1757 40 500B	Silencer, Main	1	$\frac{7}{12} \sim \Delta$
●	1773 40 500	Silencer, Main (Hardtop)	1	$\frac{7}{10} \sim \times$
●	3565 40 500A	Silencer, Main (Sedan & Hardtop)	1	$\frac{7}{11} \sim \times$
	1791 40 500A	Silencer, Main	1	
●	1791 40 500B	Silencer, Main	1	$\frac{7}{4} \sim \Delta$
●	3571 40 500C	Silencer, Main	1	$\frac{7}{10} \sim \times$
19	3565 40 090	Plate, Diffuser	1	
20	3565 40 092A	Clamp, Diffuser	1	
21	99801 0820	Bolt, Clamp	1	● $\frac{7}{10} \sim$ Added Anew
	99971 0800	Washer, Spring	1	

No.	Part Number	Description	Q'ty	Remarks	
	99901 0800	Nut	1		
22	1773 40 550	Cover, Heat	1		
23	0824 40 401	Insulator, Heat Cover	}	7 $\frac{7}{10}$ ~ Added Anew	
		(Sedan & Hardtop)			3
24	99865 0512	Screw, Heat Cover			3
● 25	3565 40 560 A	Cover, Diffuser (Sedan & Hardtop)	1	7 $\frac{7}{10}$ ~ Added Anew	
● 26	3571 40 560	Cover, Diffuser (Wagon)	1	7 $\frac{7}{10}$ ~ ×	
27	99796 0614	Bolt, Diffuser Cover	}	7 $\frac{7}{10}$ ~ ×	
	99952 0618	Washer, Plain			4
28	99796 0612	Bolt, Diffuser Cover	}	7 $\frac{7}{10}$ ~ ×	
		(Wagon)			4
29	99940 0600	Nut, Diffuser Cover	4		
30	2090 40 508 A	Rubber, Joint	1		
31	1757 40 600	Pre-Silencer	1		
	1757 40 600 B	Pre-Silencer	1	7 $\frac{7}{12}$ ~ △	
	1757 40 600 C	Pre-Silencer	1	7 $\frac{7}{3}$ ~ ○	
	1757 40 600 F	Pre-Silencer	1	7 $\frac{7}{11}$ ~ ×	
32	99801 1045	Bolt, Pre-Silencer + Main Silencer	2		
	2158 40 355	Nut	2		

No.	Part Number	Description	Q'ty	Remarks
	99971 1000	Washer, Spring	2	
33	1757 40 810A	Protector No. 1, Silencer	1	
	1757 40 810B	Protector No. 1 Silencer	1	$\frac{7}{8}$ ~○
	1757 40 810C	Protector No. 1, Silencer	1	$\frac{7}{8}$ ~×
	1757 40 810B	Protector No. 1, Silencer	1	$\frac{7}{10}$ ~×
	1757 40 810F	Protector No. 1, Silencer	1	$\frac{7}{11}$ ~×
34	99796 0616	Bolt, Protector	18	
	99952 0618	Washer, Plain	18	
35	1114 40 821A	Protector No. 2, Silencer	1	
	1114 40 821B	Protector No. 2, Silencer	1	$\frac{7}{8}$ ~○
	1757 40 821	Protector No. 2, Silencer	1	$\frac{7}{8}$ ~×
	1755 40 821	Protector No. 2, Silencer	1	$\frac{7}{10}$ ~×
	1757 40 821A	Protector No. 2, Silencer	1	$\frac{7}{11}$ ~×
36	1757 40 830	Protector No. 3, Silencer	1	
	1757 40 830A	Protector No. 3, Silencer	1	$\frac{7}{10}$ ~×
	1757 40 830B	Protector No. 3, Silencer	1	$\frac{7}{11}$ ~×
37	1757 40 841	Protector No. 4, Silencer	1	
	1757 40 841A	Protector No. 4, Silencer	1	$\frac{7}{8}$ ~×
	1757 40 841	Protector No. 4, Silencer	1	$\frac{7}{10}$ ~×
	1757 40 841B	Protector No. 4, Silencer	1	$\frac{7}{11}$ ~×

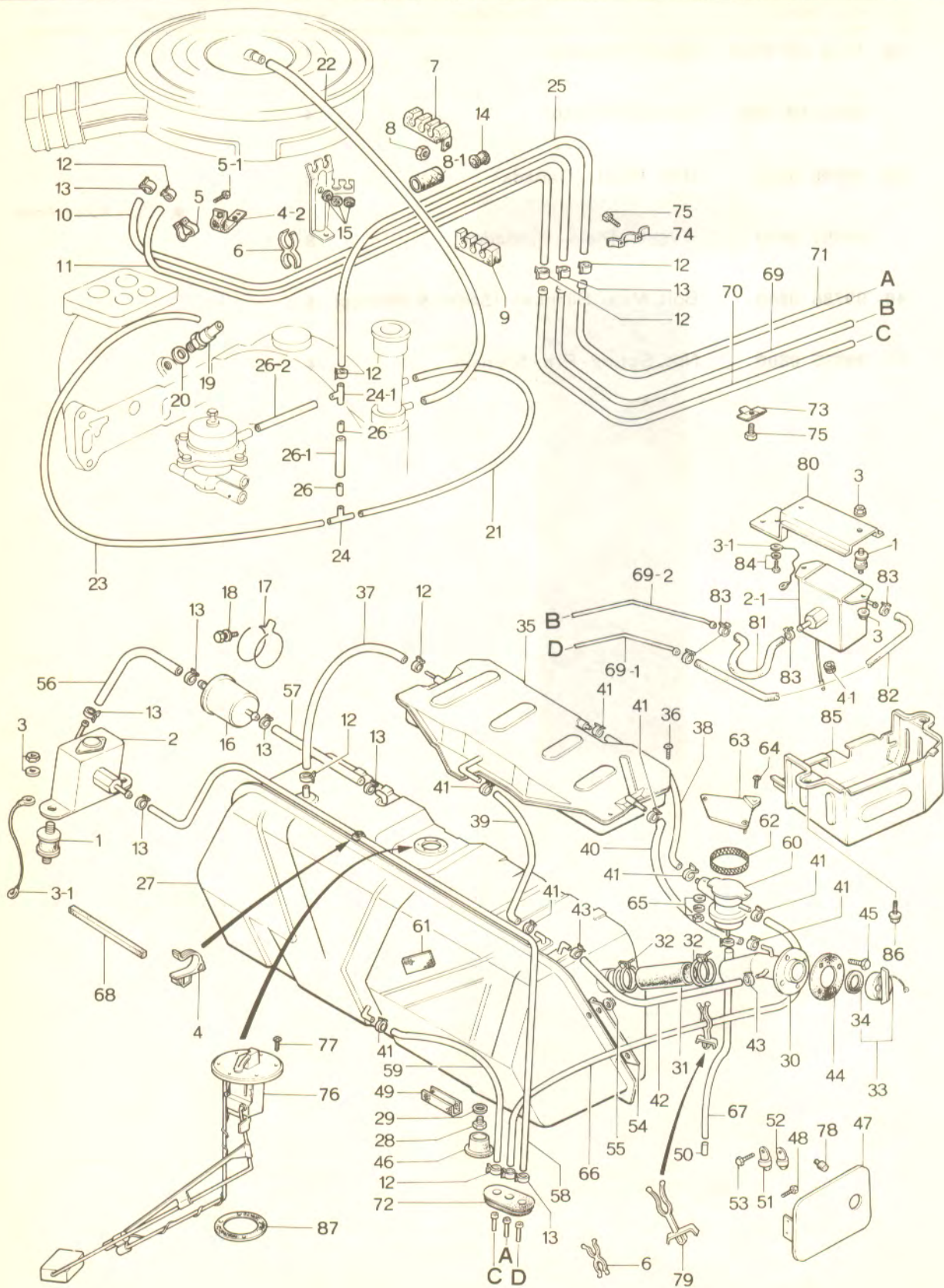
EX. PIPE & SILENCER

40

No.	Part Number	Description	Q'ty	Remarks
38	1114 40 850B	Band, Protector	4	
	3565 40 850	Band, Protector	4	$\frac{7}{11} \sim \times$
39	99806 0612	Bolt, Band (Canada)	8	● $\frac{7}{11} \sim$ Added Anew
	99952 0600	Washer, Plain (Canada)	8	
40	99786 0840	Bolt, Main Silencer (Sedan & Hardtop)	4	
41	99895 0600	Nut, Spring-Pre-Silencer	4	

FUEL TANK & PIPING

(SEDAN & HARDTOP) (USED UP TO 7 $\frac{1}{9}$)



FUEL TANK & PIPING

(SEDAN & HARDTOP) (USED UP TO $\frac{74}{9}$)

13 42

No.	Part Number	Description	Q'ty	Remarks
1	0222 13 363	Rubber, Insulation-Fuel Pump	2	
2	1757 13 400	Pump, Fuel	1	
	1757 13 400B	Pump, Fuel	1	From Car No. 1
2-1	1757 13 400C	Pump, Fuel	1	$\frac{74}{4} \sim \times$
3	99940 0600	Nut, Fuel Pump	4	
	99952 0600	Washer, Plain	1	
3-1	0866 13 402A	Wire, Earth	1	From Car No. 1
4	99278 1102	Clip	4	
4-1	0208 66 683	Protector, Cord-Fuel Pump	1	$\frac{74}{4} \sim$ Added Anew
● 4-2	1757 13 445	Clip, Fuel Pipe	1	$\frac{74}{7} \sim$ Added Anew
5	1757 13 446	Clip, Fuel Pipe	1	
● 5-1	99796 0610	Bolt, Clip	2	$\frac{74}{7} \sim$ Added Anew
6	1570 13 447	Clip, Fuel Pipe	2	
7	1757 13 447	Clip, Fuel Pipe	1	
8	99940 0600	Nut, Clip	1	
● 8-1	1883 13 448	Protector, Pipe	1	$\frac{74}{5} \sim$ Added Anew
9	1757 13 449	Protector, Pipe	1	
10	99348 08880	Pipe, Fuel Main ($\ell = 880$)	1	Ord. By No. 99349 08750 (1.75m)
11	99348 06880	Pipe, Fuel Return ($\ell = 880$)	1	Ord. By No. 99349 06750 (1.75m)
12	99283 1000	Clip, Pipe	9	
13	99283 1200	Clip, Pipe	8	
14	99681 1203	Protector, Pipe	1	
	99681 1503	Protector, Pipe	1	$\frac{74}{1} \sim \times$
15	99681 1503	Protector, Pipe	3	
16	0222 13 470B	Filter, Fuel	1	
17	0381 13 481	Clamp, Fuel Filter	1	
18	99806 0612	Bolt, Filter Clamp	1	
	99786 0612	Bolt, Filter Clamp	1	From Car No. 1
	99952 0618	Washer, Plain	1	

No.	Part Number	Description	Q'ty	Remarks
	99952 0618	Washer, Plain	1	From Car No. 1 ~ Discarded
	99971 0600	Washer, Spring	1	From Car No. 1 ~ Discarded
19	1757 13 780	Valve, Ventilation	1	
20	99564 1600	Gasket, Ventilation Valve	1	
21	1757 13 785	Hose, Ventilation - "T" Joint ~ Oil Filler Pipe	1	
	1757 13 785A	Hose, Ventilation - "T" Joint ~ Oil Filler Pipe	1	$\frac{73}{11}$ ~ ○
●	1757 13 785B	Hose, Ventilation - "T" Joint ~ Oil Filler Pipe	1	$\frac{74}{7}$ ~ ○
22	1757 13 786	Hose, Ventilation - Air Cleaner ~ Intermediate Housing	1	
	1757 13 786A	Hose, Ventilation - Air Cleaner ~ Intermediate Housing	1	$\frac{73}{11}$ ~ ○
●	1757 13 786B	Hose, Ventilation - Air Cleaner ~ Intermediate Housing	1	$\frac{74}{7}$ ~ ○
23	1757 13 788	Hose, Ventilation - "T" Joint ~ Ventilation Valve	1	
	1757 13 788A	Hose, Ventilation - "T" Joint ~ Ventilation Valve	1	$\frac{73}{11}$ ~ ○
●	1757 13 788B	Hose, Ventilation - "T" Joint ~ Ventilation Valve	1	$\frac{74}{7}$ ~ ○
24	0862 13 790	Joint, "T"	1	
	1757 13 790	Joint, "T"	1	$\frac{73}{11}$ ~ △
24-1	1029 13 790	Joint, "T"	1	$\frac{74}{3}$ ~ Added Anew
25	1011 13 792	Hose, Evaporation - "T" Joint ~ Evaporation Pipe	1	
	99346 06800	Hose, Evaporation - "T" Joint - Evaporation Pipe (ℓ = 800)	1	Ord. By No. 99349 06750 (1.75m)
●	1757 13 792A	Hose, Evaporation - "T" Joint - Evaporation Pipe	1	$\frac{73}{11}$ ~ ○ $\frac{74}{7}$ ~ ○
26	1624 13 795	Insert, "T" Joint	2	
	1029 13 795A	Insert, "T" Joint	2	$\frac{74}{3}$ ~ ×
26-1	99346 06055	Hose, "T" Joint ~ "T" Joint (ℓ = 55)	1	Ord. By No. 99349 06750 (1.75m)
●	1757 13 787	Hose, "T" Joint ~ "T" Joint	1	$\frac{74}{3}$ ~ Added Anew $\frac{74}{7}$ ~ ○
26-2	99340 04090	Tube, "T" Joint ~ E.V.C. Valve	1	$\frac{74}{3}$ ~ Added Anew
27	1011 42 110	Tank, Fuel	1	
28	0114 42 046A	Plug, Drain	1	
	99796 1012	Bolt	1	
29	99562 1200	Gasket, Drain Plug	1	
	99564 1000	Gasket, Drain Plug	1	
30	1011 42 210	Pipe, Filler	1	
31	1011 42 221	Hose, Filler	1	
	1011 42 221A	Hose, Filler	1	$\frac{73}{12}$ ~ ○
32	99282 6000	Clamp, Hose - Filler Hose	2	
33	1011 42 250	Cap, Filler	1	

FUEL TANK & PIPING

(SEDAN & HARDTOP) (USED UP TO $\frac{74}{9}$)



No.	Part Number	Description	Q'ty	Remarks
34	2280 42 462 A	Gasket	1	
	2280 42 462 B	Gasket	1	$\frac{73}{12}$ ~ ○
35	1011 42 320	Tank, Condense	1	
36	99865 0516	Screw, Condense Tank	4	
37	99346 06180	Pipe, Fuel Tank ~ Condense Tank ($\ell=180$)	1	} Ord. By No. 99349 06750 ($\ell=1.75m$) $\frac{74}{1}$ ~ ○
●	99348 06180	Pipe, Fuel Tank ~ Condense Tank ($\ell=180$)	1	
38	99346 06560	Pipe, Condense Tank ~ Check Valve ($\ell=560$)	1	} Ord. By No. 99349 06750 ($\ell=1.75m$) $\frac{74}{1}$ ~ ○
●	99348 06570	Pipe, Condense Tank ~ Check Valve ($\ell=570$)	1	
39	99346 06290	Pipe, Condense Tank ~ Fuel Tank ($\ell=290$)	1	} Ord. By No. 99349 06750 ($\ell=1.75m$) $\frac{74}{1}$ ~ ○
●	99348 06300	Pipe, Condense Tank ~ Fuel Tank ($\ell=300$)	1	
40	99346 06480	Pipe, Condense Tank ~ Filler Pipe ($\ell=480$)	1	
41	99283 1100	Clip	8	
	0222 13 493	Clip	4	
	99283 1200	Clip	6	$\frac{73}{12}$ ~ ×
42	99346 12270	Pipe, Fuel Tank ~ Filler Pipe ($\ell=270$)	1	Order Under No. 99349 12750 (1.75m)
43	99282 2001	Clip, Pipe	2	
	99282 1901	Clip, Pipe	2	$\frac{74}{1}$ ~ △
44	0866 42 366	Gasket, Filler Pipe	1	
45	99796 0512	Bolt, Filler Pipe	4	
46	0187 42 371	Seal, Dust - Fuel Tank	1	
47	1004 42 410 A	Lid, Fuel Filler (Sedan)	1	
	1011 42 410 A	Lid, Fuel Filler (Hardtop)	1	
48	99796 0512	Bolt, Fuel Filler Lid	2	
49	0866 42 521	Pad, Fuel Tank	1	
50	0866 42 544	Elbow	1	

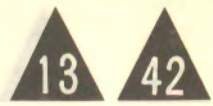
FUEL TANK & PIPING

(SEDAN & HARDTOP) (USED UP TO 7³/₉)

No.	Part Number	Description	Q'ty	Remarks
51	0866 42 551	Plate, Lock-Filler Lid	1	
52	0866 42 552	Plate, Backup-Filler Lid	1	
53	99796 0512	Bolt, Plate	2	
54	0866 42 561	Washer, Fuel Tank	2	
55	99940 0802	Nut, Fuel Tank	4	
56	1011 42 612	Pipe, Fuel-Fuel Pump~Filter	1	
●	1011 42 612A	Pipe, Fuel-Fuel Pump~Filter	1	7 ³ / ₁₂ ~○ 7 ³ / ₄ ~Discarded
57	99348 08260	Pipe, Fuel-Fuel Tank~Filter (ℓ = 260)	1	} Order Under No. 99349 08750 (1.75m)
58	99349 08470	Pipe, Fuel-Fuel Pump~Fuel Pipe (ℓ = 1470)	1	
●	99349 08520	Pipe, Fuel-Fuel Filter~Fuel Pipe (ℓ = 1520)	1	
59	99348 06410	Pipe, Fuel Tank~Fuel Return Pipe (ℓ = 410)	1	Order Under No. 99349 06750 (1.75m)
60	2691 42 710A	Valve, Check	1	
●	1114 42 710A	Valve, Check	1	7 ³ / ₂ ~△
61	1011 42 711	Pad, Fuel Tank	5	
62	2691 42 716	Element, Check Valve	1	7 ³ / ₂ ~Discarded
63	2691 42 750	Bracket, Check Valve	1	
64	99833 0512	Screw, Check Valve Bracket	1	
	99952 0500	Washer, Plain	1	
	99971 0500	Washer, Spring	1	
65	99906 0500	Nut, Check Valve	2	
●	99940 0501	Nut, Check Valve	2	7 ³ / ₄ ~△
	99952 0500	Washer, Plain	2	} 7 ³ / ₄ ~Discarded
	99971 0500	Washer, Spring	2	
66	99346 06790	Pipe, Check Valve~Evaporation Pipe (ℓ = 790)	1	Order Under No. 99349 06750 (1.75m)

FUEL TANK & PIPING

(SEDAN & HARDTOP) (USED UP TO ^{74/9})

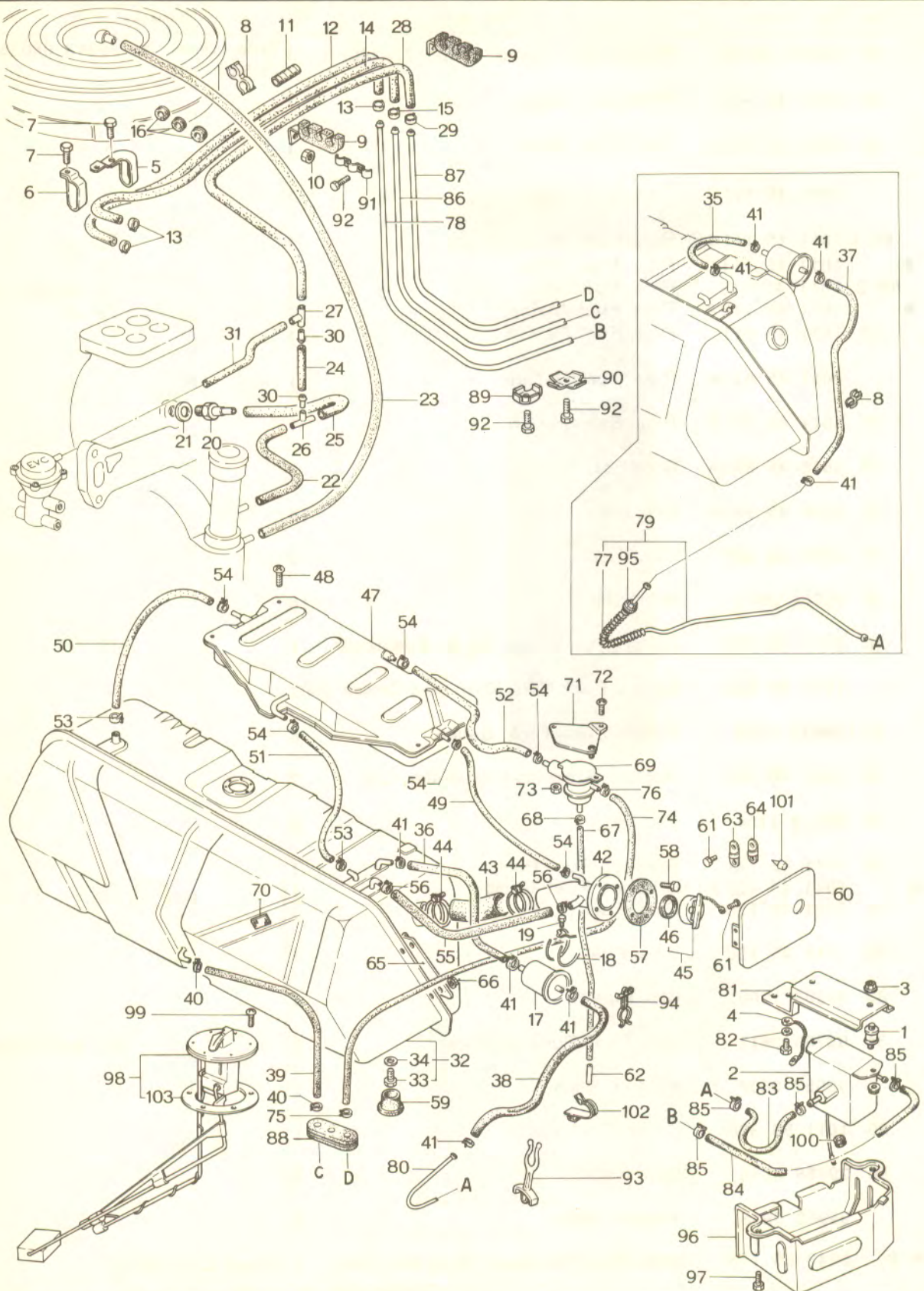


No.	Part Number	Description	Q'ty	Remarks
67	99346 06460	Pipe, Check Valve~Floor (ℓ =460)	1	Order Under No. 99343 06035 (3.5m)
68	1011 42 901	Protector, Edge	1	
69	1011 45 111A	Pipe, Fuel Main	1	
	1011 45 111B	Pipe, Fuel Main	1	$\frac{74}{3} \sim \triangle$
69-1	1011 45 111C	Pipe, Fuel Main	1	$\frac{74}{4} \sim \times$
●	1011 45 111D	Pipe, Fuel Main	1	$\frac{74}{4} \sim \times$
69-2	1011 45 112	Pipe, Fuel Main	1	$\frac{74}{4} \sim$ Added Anew
●	1011 45 112A	Pipe, Fuel Main	1	$\frac{74}{4} \sim \triangle$
70	1011 45 611	Pipe, Fuel Return	1	
	1011 45 611A	Pipe, Fuel Return	1	$\frac{74}{3} \sim \triangle$
71	1011 45 711A	Pipe, Evaporation	1	
72	0866 45 806A	Grommet, Pipe	1	
73	0866 45 903A	Clip, Pipe	14	
74	1650 45 921	Clip, Pipe	1	
75	99786 0612	Bolt, Clip	16	
76	1010 60 960	Gauge, Fuel Tank (Fig. No. 87 Included)	1	
	1011 60 960	Gauge, Fuel Tank (Over Head Console use)	1	
77	99833 0408	Screw, Fuel Tank Gauge	6	
78	0187 70 491	Rubber, Stopper - Fuel Filler Lid	2	
79	99279 1104	Clip, Pipe	6	
80	1011 45 121	Bracket, Fuel Pump	1	
●	1011 45 121A	Bracket, Fuel Pump	1	$\frac{74}{4} \sim \triangle$
81	1011 45 125	Pipe, Fuel	1	
82	1011 45 126	Pipe, Fuel	1	
83	99283 1200	Clip, Pipe	4	
84	99786 0612	Bolt, Fuel Pump Bracket	2	$\frac{74}{4} \sim$ Added Anew
	99952 0600	Washer, Plain	2	
85	1011 56 320	Cover, Fuel Pump	1	
86	99786 0616	Bolt, Cover	3	
	99952 0618	Washer, Plain	3	
● 87	0243 66 773	Gasket, Fuel Tank Gauge (W/O Over Head Console use)	1	From Car No. 1

FUEL TANK & PIPING

(SEDAN & HARDTOP) (USED FROM

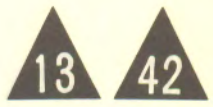
74/10)



FUEL TANK & PIPING

(SEDAN & HARDTOP) (USED FROM

$\frac{74}{10}$)



No.	Part Number	Description	Q'ty	Remarks
1	0222 13 363	Rubber, Insulation-Fuel Pump	2	
2	1757 13 400C	Pump, Fuel	1	
3	99940 0600	Nut, Fuel Pump	4	
	99952 0600	Washer, Plain	1	
4	0866 13 402A	Wire, Earth	1	
5	1757 13 445	Clip, Fuel Hose	1	
6	1757 13 446	Clip, Fuel Hose	1	
7	99796 0610	Bolt, Clip	2	
8	1570 13 447	Clip, Fuel & Evaporation Hose	2	
			1	$\frac{74}{11}$ ~Q'ty
9	1757 13 447	Clip, Fuel & Evaporation Hose	1	
10	99940 0600	Nut, Clip	2	
11	1883 13 448	Protector, Fuel Pipe	1	$\frac{74}{11}$ ~Discarded
12	99348 08880	Hose, Fuel Main ($l=880$)	1	Ord. By 99349 08750 ($l=1.75$ m)
13	99283 1200	Clip, Hose	2	
14	99348 06880	Hose, Fuel Return ($l=880$)	1	Ord. By 99349 06750 ($l=1.75$ m)
15	99283 1000	Clip, Hose	2	
16	99681 1503	Protector, Hose	3	
17	0222 13 470B	Filter, Fuel	1	
18	0381 13 481	Clamp, Fuel Filter	1	
19	99786 0612	Bolt, Filter Clamp	1	

13

42

FUEL TANK & PIPING

(SEDAN & HARDTOP) (USED FROM $\frac{7}{10}$)

No.	Part Number	Description	Q'ty	Remarks
	99952 0618	Washer, Plain	1	
20	1757 13 780	Valve, Ventilation	1	
21	99564 1600	Gasket, Ventilation Valve	1	
22	1757 13 785 B	Hose, Ventilation- "T" Joint ~Oil Filler Pipe	1	
	3565 13 785	Hose, Ventilation- "T" Joint ~Oil Filler Pipe	1	$\frac{7}{11} \sim \times$
23	1757 13 786 B	Hose, Ventilation-Air Cleaner ~Intermediate Housing	1	
24	1757 13 787	Hose, Ventilation- "T" Joint ~ "T" Joint	1	
25	1757 13 788 B	Hose, Ventilation- "T" Joint ~Ventilation Valve	1	
	3565 13 788	Hose, Ventilation- "T" Joint ~Ventilation Valve	1	$\frac{7}{11} \sim \times$
26	1029 13 790	Joint, "T"	1	
27	1757 13 790	Joint, "T"	1	
28	1757 13 792 A	Hose, Evaporation- "T" Joint ~Evaporation Pipe	1	
29	99283 1000	Clip, Evaporation Hose	2	
30	3565 13 795	Insert, "T" Joint	2	$\frac{7}{11} \sim \times$
31	3565 13 915	Tube, "T" Joint ~E.V.C. Valve	1	
32	3558 42 110	Tank, Fuel	1	
	3565 42 110	Tank, Fuel	1	$\frac{7}{11} \sim \times$
33	99796 1012	Bolt	1	
34	0866 42 046	Gasket, Drain Plug	1	

FUEL TANK & PIPING

(SEDAN & HARDTOP) (USED FROM $\frac{74}{10}$)

13

42

No.	Part Number	Description	Q'ty	Remarks
35	3558 42 611	Hose, Fuel Tank~Fuel Filter	1	
36	99348 08310	Hose, Fuel Tank~Fuel Filter ($\ell=310$)	1	Ord. By No. $\frac{74}{11} \sim \times$ 99349 08750 ($\ell=1.75$ m)
37	99348 08580	Hose, Fuel Filter ~Fuel Pipe ($\ell=580$)	1	Ord. By No. 99349 08750 ($\ell=1.75$ m)
38	3565 42 126A	Hose, Fuel Filter ~Fuel Pipe (A)	1	
39	99348 06410	Hose, Fuel Tank~Fuel Return Pipe ($\ell=410$)	1	Ord. By No. 99349 06750 ($\ell=1.75$ m)
40	99283 1000	Clip, Hose	2	
41	99283 1200	Clip, Hose	4	
42	3558 42 210	Pipe, Filler (Unleaded Gasoline)	1	
	3576 42 210	Pipe, Filler (Leaded Gasoline)	1	
	1175 42 210B	Pipe, Filler (Leaded Gasoline)	1	$\frac{74}{11} \sim \times$
	3565 42 210B	Pipe, Filler (Unleaded Gasoline)	1	$\frac{74}{11} \sim \times$
43	1011 42 221A	Hose, Filler	1	
44	99282 6000	Clamp, Hose - Filler Hose	2	
45	1011 42 250	Cap, Filler	1	
46	2280 42 462B	Gasket	1	
47	1011 42 320B	Tank, Condense	1	
48	99865 0516	Screw, Condense Tank	4	
49	99346 06500	Hose, Condense Tank~Filler Pipe ($\ell=500$)	1	Ord. By No. 99349 06750 ($\ell=1.75$ m)

FUEL TANK & PIPING

(SEDAN & HARDTOP) (USED FROM $\frac{74}{10}$)

No.	Part Number	Description	Q'ty	Remarks
50	99348 06180	Hose, Fuel Tank~Condense Tank (ℓ=180)	1	} Ord. By No. 99349 06750 (ℓ=1.75 m)
51	99348 06300	Hose, Condense Tank~Fuel Tank (ℓ=300)	1	
52	99348 06570	Hose, Condense Tank~Check Valve (ℓ=570)	1	
53	99283 1000	Clip, Hose	2	
54	99283 1100	Clip, Hose	6	
55	99346 14255	Hose, Fuel Tank~Filler Pipe (ℓ=255)	1	
56	99282 2201	Clip, Hose	2	
57	0866 42 366	Gasket, Filler Pipe	4	$\frac{74}{11}$ ~Discarded
58	99786 0512	Bolt, Filler Pipe	4	
59	0187 42 371	Seal, Dust-Fuel Tank	1	
60	1004 42 410 A	Lid, Fuel Filler (Sedan)	1	
	1011 42 410 A	Lid, Fuel Filler (Hardtop)	1	
61	99797 0512	Bolt, Filler Lid & Lock Plate	4	
	99952 0500	Washer, Plain	4	
	99971 0500	Washer, Plain	4	
62	0866 42 544	Elbow	1	
63	0866 42 551	Plate, Lock-Filler Lid	1	
64	0866 42 552	Plate, Lock-Filler Lid	1	
65	0866 42 561	Washer, Fuel Tank	2	
66	99940 0802	Nut, Fuel Tank Washer	4	

FUEL TANK & PIPING

(SEDAN & HARDTOP) (USED FROM

$\frac{74}{10}$)

13

42

No.	Part Number	Description	Q'ty	Remarks
67	99346 06460	Hose, Check Valve~Floor ($\ell=460$)	1	Ord. By No. 99349 06750 ($\ell=1.75$ m)
68	99283 1100	Clip, Hose	1	
69	1114 42 710 A	Valve, Check	1	
70	1011 42 711	Pad, Fuel Tank	5	
71	2691 42 750	Bracket, Check Valve	1	
72	99833 0512	Screw, Check Valve Bracket	1	
	99952 0500	Washer, Plain	1	
	99971 0500	Washer, Spring	1	
73	99940 0501	Nut, Check Valve	2	
74	99346 06700	Hose, Check Valve~Evaporation Pipe ($\ell=700$)	1	Ord. By No. 99349 06750 ($\ell=1.75$ m)
75	99283 1000	Clip, Hose	1	
76	99283 1100	Clip, Hose	1	
77	0603 44 357	Spring, Fuel Main Pipe	1	$\frac{74}{10}$ ~Discarded
78	1011 45 110 D	Pipe (A), Fuel Main	1	
79	3558 15 110	Pipe (B), Fuel Main	1	
80	1011 45 112 A	Pipe (B), Fuel Main	1	$\frac{74}{11}$ ~X
81	1011 45 121 A	Bracket, Fuel Pump	1	
82	99786 0616	Bolt, Fuel Pump Bracket	2	
	99952 0600	Washer, Plain	2	
83	1011 45 125	Hose, Fuel-Fuel Pump~Fuel Pipe (B)	1	

FUEL TANK & PIPING

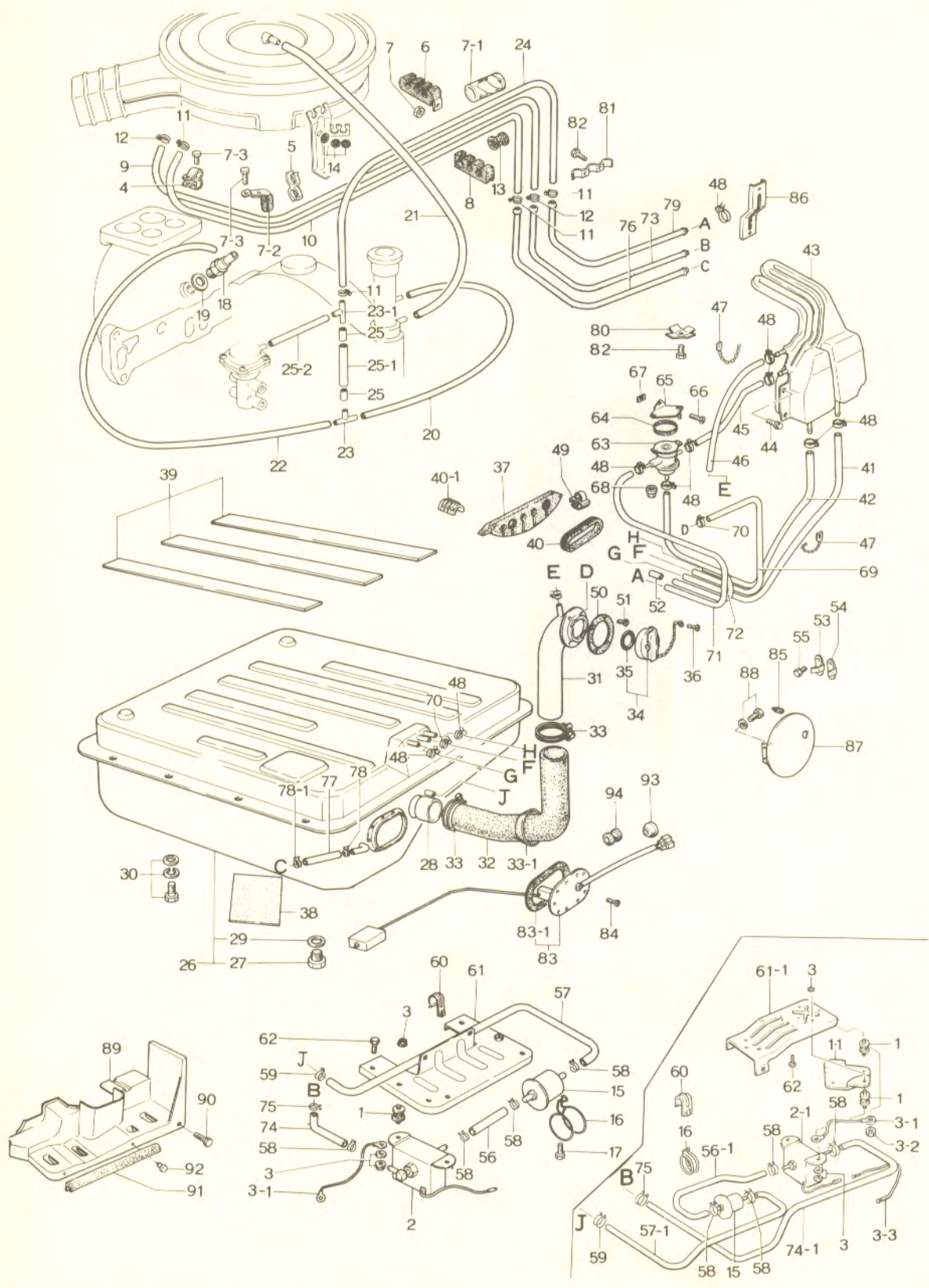
(SEDAN & HARDTOP) (USED FROM 74/10)

No.	Part Number	Description	Q'ty	Remarks
84	1011 45 126	Hose, Fuel-Fuel Pipe (A) ~Fuel Pump	1	
85	99283 1200	Clip, Hose	4	
86	1011 45 611 A	Pipe, Fuel Return	1	
87	1011 45 711 A	Pipe, Evaporation	1	
88	0866 45 806 A	Grommet, Pipe	1	
89	0419 45 901	Clip, Pipe	1	
90	0866 45 903 A	Clip, Pipe	15	
91	1650 45 921	Clip, Pipe	1	
92	99786 0612	Bolt, Clip	18	
93	99279 1104	Clip, Pipe	3	
94	99279 1105	Clip, Pipe	1	
95	0187 55 554	Protector, Fuel Main Pipe	1	74/11 ~Discarded
96	1011 56 320 A	Cover, Fuel Pump	1	
97	99786 0616	Bolt, Cover	3	
	99952 0618	Washer, Plain	3	
98	1010 60 960	Gauge, Fuel Tank (Fig. No. 102 included)	1	
	1011 60 960	Gauge, Fuel Tank (Over Head Console use)	1	
99	99833 0408	Screw, Fuel Tank Gauge	6	
100	0208 66 683	Protector, Cord-Fuel Pump	1	
101	0187 70 491	Rubber, Stopper-Fuel Filler Lid	2	
102	99278 1102	Clip, Hose	2	
103	0243 66 773	Gasket, Fuel Tank Gauge (W/O Over Head Console use)	1	



FUEL TANK & PIPING (WAGON)

(USED UP TO 74/9)



FUEL TANK & PIPING (WAGON)

(USED UP TO $\frac{74}{9}$)

13

42

No.	Part Number	Description	Q'ty	Remarks
1	0223 13 363	Rubber, Insulation	2	
			4	$\frac{74}{5}$ ~ Q'ty
● 1-1	1690 13 361	Bracket, Fuel Pump	1	$\frac{74}{5}$ ~ Added Anew
2	1791 13 400	Pump, Fuel	1	
	1791 13 400B	Pump, Fuel	1	From Car No. 1
● 2-1	1757 13 400C	Pump, Fuel	1	$\frac{74}{5}$ ~ X
3	99940 0600	Nut, Fuel Pump	4	
			6	$\frac{74}{5}$ ~ Q'ty
	99952 0600	Washer, Plain	1	
	99953 0600	Washer, Plain	1	From Car No. 1 ~ Discarded
3-1	0866 13 402A	Wire, Earth	1	From Car No. 1
● 3-2	99940 0603	Nut, Earth Wire	1	$\frac{74}{5}$ ~ Added Anew
● 3-3	1791 13 421	Cord, Fuel Pump	1	$\frac{74}{5}$ ~ Added Anew
4	1757 13 446	Clip, Fuel Hose	1	
5	1570 13 447	Clip, Fuel Hose	1	
6	1757 13 447	Clip, Fuel Hose	2	From Car No. 1
7	99940 0600	Nut, Clip	1	
● 7-1	1883 13 448	Protector, Fuel Hose	1	$\frac{74}{5}$ ~ Added Anew
● 7-2	1757 13 445	Clip, Fuel Hose	1	$\frac{74}{7}$ ~ Added Anew
● 7-3	99796 0610	Bolt, Clip	1	$\frac{74}{7}$ ~ Added Anew
8	1757 13 449	Protector, Hose	1	From Car No. 1 ~ Discarded
9	99348 08880	Hose, Fuel Main ($\ell = 880$)	1	{ Order Under No. 99343 08035 (3.5m)
10	99348 06880	Hose, Fuel Return ($\ell = 880$)	1	{ Order Under No. 99343 06035 (3.5m)
11	99283 1000	Clip, Fuel Return Hose & Evaporation Hose	4	
12	99283 1200	Clip, Fuel Main Hose	2	
13	99681 1203	Protector, Hose	1	
	99681 1503	Protector, Hose	1	$\frac{74}{2}$ ~ X
14	99681 1503	Protector, Hose	3	
15	0222 13 470B	Filter, Fuel	1	
16	0381 13 481	Clamp, Fuel Filter	1	
17	99786 0612	Bolt, Filter Clamp	1	
	99952 0618	Washer, Plain	1	

13 42

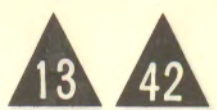
FUEL TANK & PIPING (WAGON)

(USED UP TO $\frac{74}{9}$)

No.	Part Number	Description	Q'ty	Remarks
18	1757 13 780	Valve, Ventilation	1	
19	99564 1600	Gasket, Ventilation Valve	1	
20	1757 13 785	Hose, Ventilation- "T" Joint~Oil Filler Pipe	1	
	1757 13 785A	Hose, Ventilation- "T" Joint~Oil Filler Pipe	1	$\frac{73}{11}$ ~○
●	1757 13 785B	Hose, Ventilation- "T" Joint~Oil Filler Pipe	1	$\frac{74}{7}$ ~○
21	1757 13 786	Hose, Ventilation-Air Cleaner~Intermediate Housing	1	
	1757 13 786A	Hose, Ventilation-Air Cleaner~Intermediate Housing	1	$\frac{73}{11}$ ~○
●	1757 13 786B	Hose, Ventilation-Air Cleaner~Intermediate Housing	1	$\frac{74}{7}$ ~○
22	1757 13 788	Hose, Ventilation- "T" Joint~Ventilation Valve	1	
	1757 13 788A	Hose, Ventilation- "T" Joint~Ventilation Valve	1	$\frac{73}{11}$ ~○
●	1757 13 788B	Hose, Ventilation- "T" Joint~Ventilation Valve	1	$\frac{74}{7}$ ~○
23	0862 13 790	Joint, "T"	1	
	1757 13 790	Joint, "T"	1	$\frac{73}{11}$ ~×
23-1	1029 13 790	Joint, "T"	1	$\frac{74}{3}$ ~ Added Anew
24	1011 13 792	Hose, Evaporation- "T" Joint~Evaporation Pipe	1	
	99346 06800	Hose, Evaporation- "T" Joint~Evaporation Pipe (ℓ=800)	1	Order Under No. 99343 06035 (3.5m) $\frac{73}{11}$ ~△
●	1757 13 792A	Hose, Evaporation- "T" Joint~Evaporation Pipe (ℓ=800)	1	$\frac{74}{7}$ ~○
25	1624 13 795	Insert, "T" Joint	2	
	1029 13 795A	Insert, "T" Joint	2	$\frac{74}{3}$ ~×
25-1	99346 06055	Hose, "T" Joint~"T" Joint (ℓ=55)	1	Order Under No. 99343 06035 (3.5m) $\frac{74}{2}$ ~ Added Anew
●	1757 13 787	Hose, "T" Joint~"T" Joint (ℓ=55)	1	$\frac{74}{7}$ ~○
25-2	99340 04090	Tube, "T" Joint~E.V.C. Valve	1	$\frac{74}{3}$ ~ Added Anew
26	1029 42 110	Tank, Fuel	1	
●	1029 42 110A	Tank, Fuel	1	$\frac{74}{3}$ ~△
27	0114 42 046A	Plug, Drain	1	
●	99796 1012	Plug, Drain	1	$\frac{74}{6}$ ~×
28	1624 42 280	Valve, Non Return	1	
29	99564 1200	Gasket, Drain Plug	1	
●	99564 1000	Gasket, Drain Plug	1	$\frac{74}{6}$ ~×
30	99796 0820	Bolt, Fuel Tank	8	
	99783 0825	Bolt, Fuel Tank	8	
	99952 0800	Washer, Plain	8	$\frac{73}{12}$ ~△
	99971 0800	Washer, Spring	8	
	99952 0822	Washer, Plain	8	
	99952 0822	Washer, Plain	8	
31	1029 42 210A	Pipe, Filler	1	
	1029 42 210B	Pipe, Filler	1	$\frac{74}{2}$ ~△
●	1029 42 210C	Pipe, Filler	1	$\frac{74}{4}$ ~△
32	1029 42 241A	Hose, Filler	1	
	1029 42 241B	Hose, Filler	1	$\frac{74}{2}$ ~△
●	1029 42 240	Hose, Filler	1	$\frac{74}{2}$ ~△
●	1029 42 240B	Hose, Filler	1	$\frac{74}{5}$ ~×
33	99282 6000	Clamp, Hose-Filler Hose	2	
33-1	1029 42 242	Rubber, Seal-Filler Hose	1	$\frac{74}{4}$ ~ Added Anew

FUEL TANK & PIPING (WAGON)

(USED UP TO $\frac{74}{9}$)



No.	Part Number	Description	Q'ty	Remarks
34	1011 42 250	Cap, Filler	1	
35	2280 42 462A	Gasket	1	
	2280 42 462B	Gasket	1	$\frac{73}{12} \sim \bigcirc$
36	99865 0510	Screw, Filler Cap Chain	1	
37	1029 42 302	Protector, Pipe	1	
38	1029 42 304	Pad, Fuel Tank	5	
	1029 42 304A	Pad, Fuel Tank	5	From Car No. 1
39	0585 42 305	Pad, Fuel Tank	3	
40	0585 42 306	Protector, Pipe	1	
40-1	0585 42 308	Spacer	1	$\frac{73}{10} \sim$ Added Anew
41	1029 42 313	Tube, Vent-Condense Tank~Fuel Tank	1	
	1029 42 313A	Tube, Vent-Condense Tank~Fuel Tank	1	From Car No. 1
42	1029 42 314	Tube, Vent-Condense Tank~Fuel Tank	1	
	1029 42 314A	Tube, Vent-Condense Tank~Fuel Tank	1	From Car No. 1
43	1029 42 321	Tank, Condense	1	
	1029 42 321A	Tank, Condense	1	From Car No. 1
44	99786 0620	Bolt, Condense	3	
	99952 0618	Washer, Plain	3	
45	99333 06019	Tube, Vent-Condense Tank~Check Valve	1	
	99348 06420	Tube, Vent-Condense Tank~Check Valve	1	{ Order Under No. 99343 06035 (3.5m) $\frac{73}{2} \sim \triangle$
46	99333 06035	Tube, Vent-Condense Tank~Filler Pipe	1	
	99348 06340	Tube, Vent-Condense Tank~Filler Pipe	1	{ Order Under No. 99343 06035 (3.5m) $\frac{73}{2} \sim \triangle$
47	99709 0108	Band, Vent Tube	1	
48	99283 1100	Clip, Vent Tube	11	
49	99277 1202	Clip, Vent Tube	2	
50	0866 42 366	Gasket, Filler Pipe	1	
51	99796 0512	Screw, Filler Pipe	4	

FUEL TANK & PIPING (WAGON)

(USED UP TO $\frac{74}{9}$)

No.	Part Number	Description	Q'ty	Remarks
52	0866 42 544	Elbow, Pipe	1	
53	0866 42 551	Plate, Lock-Filler Lid	1	
54	0866 42 552	Plate, Backup	1	
55	99796 0512	Screw, Plate	2	
56	1029 42 612	Hose, Fuel-Fuel Pump~Fuel Filter (115 ^m)	1	
● 56-1	1029 45 142	Hose, Fuel-Fuel Filter ~Fuel Pump	1	$\frac{74}{5} \sim \times$
57	1029 42 613 A	Hose, Fuel-Fuel Tank~Fuel Filter	1	
● 57-1	1029 45 141	Hose, Fuel-Fuel Tank~Fuel Filter	1	$\frac{74}{5} \sim \times$
58	99283 1200	Clip, Fuel Hose	4	
59	99283 1100	Clip, Fuel Hose	1	
60	99278 1201	Clip, Fuel Hose	2 3	$\frac{74}{5} \sim \text{Q'ty}$
61	1029 42 620	Bracket, Fuel Pump	1	
●	1029 42 620 A	Bracket, Fuel Pump	1	$\frac{73}{12} \sim \triangle$
● 61-1	1029 45 130	Bracket, Fuel Pump	1	$\frac{74}{5} \sim \times$
62	99786 0616	Bolt, Bracket	4	
●	99786 0612	Bolt, Bracket	4	$\frac{74}{5} \sim \times$
	99952 0618	Washer, Plain	4	
63	2691 42 710 A	Valve, Check	1	
	1114 42 710 A	Valve, Check	1	$\frac{74}{2} \sim \triangle$
64	2691 42 716	Element, Check Valve	1	$\frac{74}{2} \sim \text{Discarded}$
65	2694 42 750	Bracket, Check Valve	1	
66	99863 0520	Screw, Bracket	1	
	99952 0500	Washer, Plain	1	
	99971 0500	Washer, Spring	1	
67	99896 0500	Nut, Spring-Bracket	1	
	0866 50 501	Nut, Spring-Bracket	1	$\frac{74}{2} \sim \times$
68	99906 0500	Nut, Check Valve	2	
	99940 0501	Nut, Check Valve	2	$\frac{74}{4} \sim \triangle$

FUEL TANK & PIPING (WAGON)

(USED UP TO $\frac{7}{9}$)

13

42

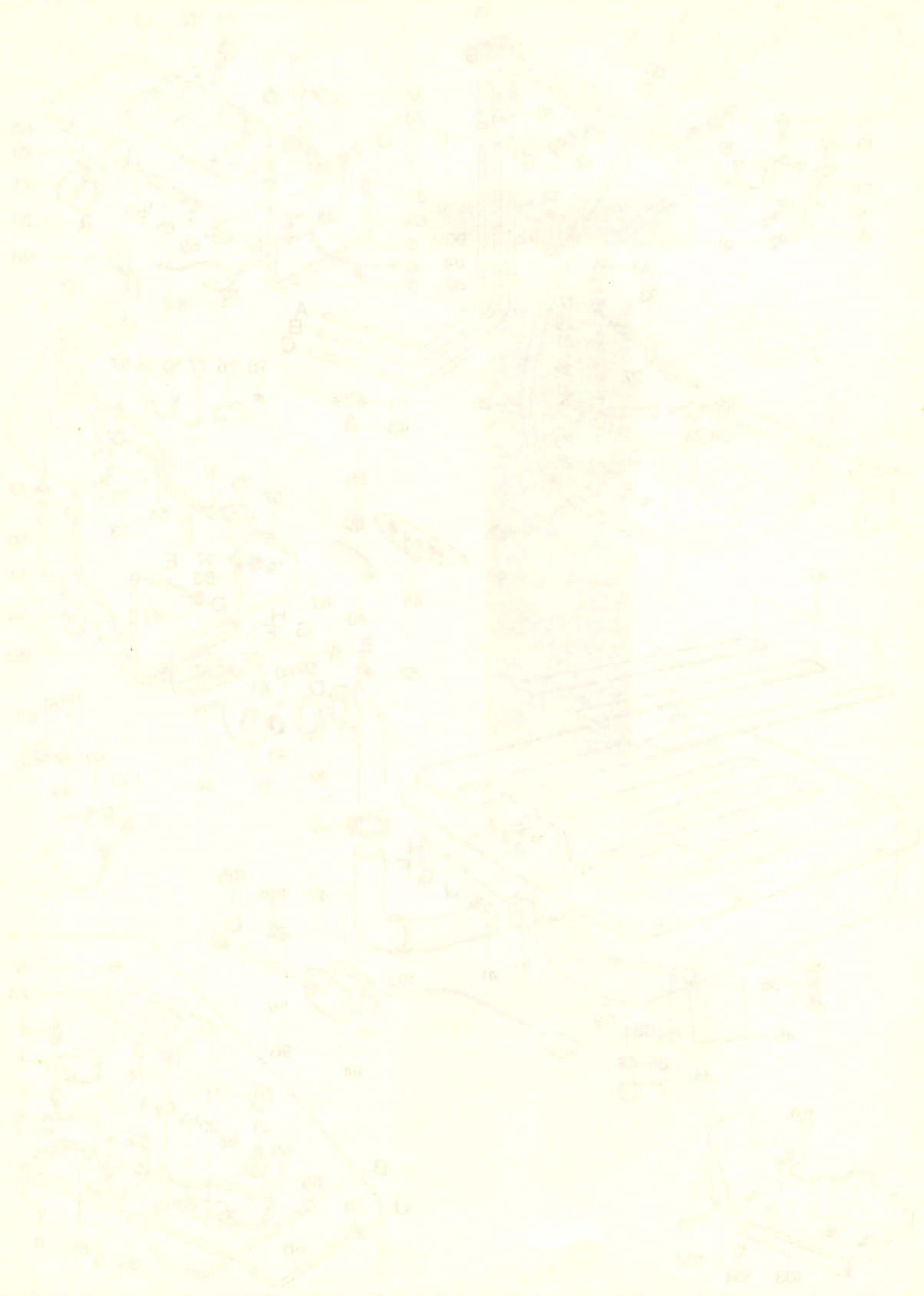
No.	Part Number	Description	Q'ty	Remarks
	99952 0500	Washer, Plain	2	} $\frac{7}{4}$ ~ Discarded
	99971 0500	Washer, Spring	2	
69	99346 10430	Pipe, Fuel Tank~Filler Pipe ($l = 430$)	1	} Order Under No. 99349 10750 (1.75m) $\frac{7}{2}$ ~ ○
	99348 10430	Pipe, Fuel Tank~Filler Pipe ($l = 430$)	1	
70	99282 1601	Clip, Pipe	2	
71	99346 06600	Pipe, Check Valve~Evaporation Pipe ($l = 600$)	1	} Order Under No. 99343 06035 (3.5m) $\frac{7}{2}$ ~ ○
	99348 06600	Pipe, Check Valve~Evaporation Pipe ($l = 600$)	1	
72	99333 06050	Pipe, Check Valve~Floor	1	
	99348 06340	Pipe, Check Valve~Floor ($l = 340$)	1	Order Under No. 99343 06035 (3.5m)
73	1029 45 111A	Pipe, Fuel Main	1	$\frac{7}{2}$ ~ △
	1029 45 111B	Pipe, Fuel Main	1	$\frac{7}{5}$ ~ ×
74	1029 45 121	Pipe, Fuel	1	
	1791 74 613	Pipe, Fuel	1	$\frac{7}{4}$ ~ △
74-1	1029 45 143	Pipe, Fuel	1	$\frac{7}{5}$ ~ ×
	1029 45 143A	Pipe, Fuel	1	$\frac{7}{7}$ ~ ○
75	99283 1200	Clip, Fuel Pipe	1	
76	1029 45 611	Pipe, Fuel Return	1	
77	99344 60150	Pipe, Fuel Return-Tank Side ($l = 150$)	1	
	99348 06155	Pipe, Fuel Return-Tank Side ($l = 150$)	1	Order Under No. 99343 06035 (3.5m) $\frac{7}{11}$ ~ △
78	99282 1401	Clip, Fuel Return Pipe	2	
78-1	99283 1000	Clip, Fuel Return Pipe	1	$\frac{7}{2}$ ~ ×
79	1029 45 711	Pipe, Evaporation	1	
80	0866 45 903A	Clip, Pipe	16	
81	1650 45 921	Clip, Pipe	1	
82	99786 0612	Bolt, Clip	16	
83	1029 60 960	Gauge, Fuel Tank (Fig. No. 83-1 Included)	1	
83-1	1029 60 969	Gasket, Tank Gauge	1	From Car No. 1
84	99797 0410	Screw, Tank Gauge	10	
85	0200 54 291	Rubber, Stopper-Filler Lid	1	
86	1029 70 130	Bracket, Condense Tank	1	

13 42

FUEL TANK & PIPING (WAGON)

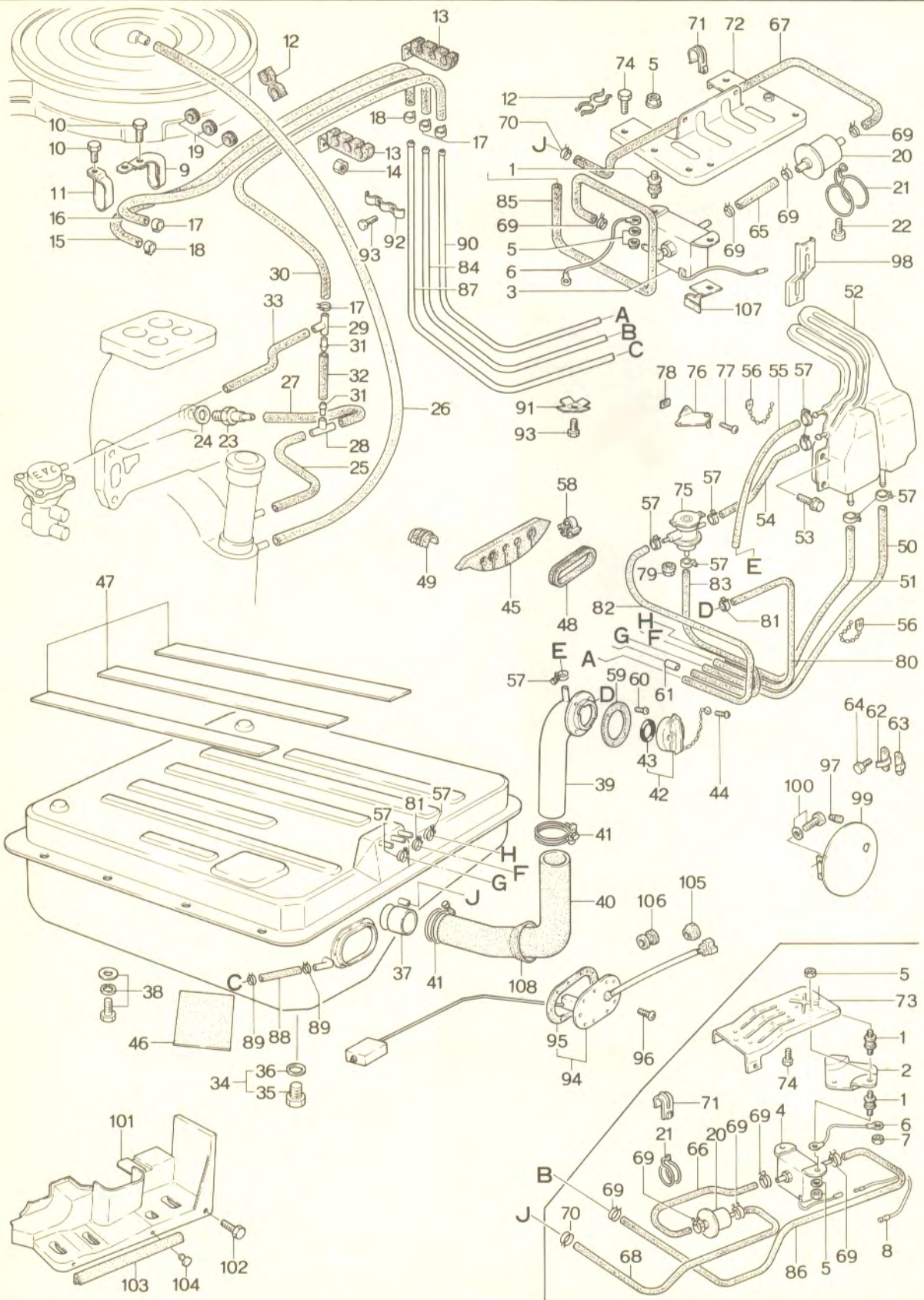
(USED UP TO 7/9)

No.	Part Number	Description	Q'ty	Remarks
87	1029 71 5108	Lid, Fuel Filler	1	
	1029 71 510C	Lid, Fuel Filler	1	3/4~O
88	99796 0512	Bolt, Filler Lid	2	
	99952 0500	Washer, Plain	2	
89	1029 56 3118	Cover, Fuel Pump	1	
90	99786 0616	Bolt	3	
	99952 0618	Washer, Plain		
91	1029 56 315	Rubber, Seal	1	
92	99263 06018	Rivet	4	
93	0866 67 152	Protector, Cord-Tank Gauge	1	} From Car No. 1
94	99686 0500	Protector, Cord-Tank Gauge	1	



FUEL TANK & PIPING (WAGON)

(USED FROM 7/10)



FUEL TANK & PIPING (WAGON)

(USED FROM $\frac{7}{10}$)

13

42

No.	Part Number	Description	Q'ty	Remarks
1	0223 13 363	Rubber, Insulation - Fuel Pump	2 4	$\frac{7}{11}$ ~ Q'ty
2	1690 13 361	Bracket, Fuel Pump	1	$\frac{7}{11}$ ~ Added Anew
3	1791 13 400 B	Pump, Fuel	1	
4	1757 13 400 C	Pump, Fuel	1	$\frac{7}{11}$ ~ X
5	99940 0600	Nut, Fuel Pump	4 6	$\frac{7}{11}$ ~ Q'ty
	99952 0600	Washer, Plain	1	
6	0866 13 402 A	Wire, Earth- Fuel Pump	1	
7	99940 0603	Nut, Earth Wire	1	$\frac{7}{11}$ ~ Added Anew
8	1791 13 421	Cord, Fuel Pump	1	$\frac{7}{11}$ ~ Added Anew
9	1757 13 445	Clip, Fuel Hose	1	
10	99796 0610	Bolt, Clip	1	
11	1757 13 446	Clip, Fuel Hose	1	
12	1570 13 447	Clip, Fuel Hose	2 1	$\frac{7}{11}$ ~ Q'ty
13	1757 13 447	Clip, Fuel Hose	2	
14	99940 0600	Nut, Clip	1	
15	99348 08880	Hose, Fuel Main (ℓ = 880)	1	Ord. By No. 99349 08750 (1.75m)
16	99348 06880	Hose, Fuel Return (ℓ = 880)	1	Ord. By No. 99349 06750 (1.75m)
17	99283 1000	Clip, Fuel Return & Evaporation Hose	4	
18	99283 1200	Clip, Fuel Main Hose	2	
19	99681 1503	Protector, Fuel Hose	3	

FUEL TANK & PIPING (WAGON)

(USED FROM $\frac{7}{10}$)

No.	Part Number	Description	Q'ty	Remarks
20	0222 13 470 B	Filter, Fuel	1	
21	0381 13 481	Clamp, Fuel Filter	1	
22	99786 0612	Bolt, Fuel Filter Clamp	1	
	99952 0618	Washer, Plain	1	
23	1757 13 780	Valve, Ventilation	1	
24	99564 1600	Gasket, Ventilator Valve	1	
25	1757 13 785 B	Hose, Ventilation-"T" Joint~Oil Filler Pipe	1	
	3565 13 785	Hose, Ventilation-"T" Joint~Oil Filler Pipe	1	$\frac{7}{11} \sim \times$
26	1757 13 786 B	Hose, Ventilation-Air Cleaner~Intermediate Housing	1	$\frac{7}{11} \sim \times$
27	1757 13 788 B	Hose, Ventilation-"T" Joint~Ventilation Valve	1	
	3565 13 788	Hose, Ventilation-"T" Joint~Ventilation Valve	1	$\frac{7}{11} \sim \times$
28	1757 13 790	Joint, "T"	1	
29	1029 13 790	Joint, "T"	1	
30	1757 13 792 A	Hose, Evaporation-"T" Joint~Evaporation Pipe	1	
31	3565 13 795	Insert	2	
32	1757 13 787	Hose, "T" Joint~"T" Joint	1	
33	3565 13 915	Tube, "T" Joint~E.V.C. Valve	1	
34	1029 42 110 B	Tank, Fuel	1	
35	99796 1012	Plug, Drain	1	

FUEL TANK & PIPING (WAGON)

(USED FROM $\frac{74}{10}$)

13

42

No.	Part Number	Description	Q'ty	Remarks
36	99564 1000	Gasket, Drain Plug	1	
37	1624 42 280	Valve, Non Return	1	
38	99783 0825	Bolt, Fuel Tank	8	
	99952 0800	Washer, Plain	8	
	99971 0800	Washer, Spring	8	
39	1029 42 210 C	Pipe, Filler (Leaded Gasoline)	1	
	3568 42 350	Pipe, Filler (Unleaded Gasoline)	1	
	1029 42 210 E	Pipe, Filler (Leaded Gasoline)	1	$\frac{74}{11} \sim \Delta$
	3629 42 350 B	Pipe, Filler (Unleaded Gasoline)	1	$\frac{74}{11} \sim \Delta$
40	1029 42 240 B	Hose, Filler	1	
41	99282 6000	Clamp, Filler Hose	1	
42	1011 42 250	Cap, Filler	1	
43	2280 42 462 B	Gasket	1	
44	99865 0520	Screw, Filler Cap Chain	1	
45	1029 42 302	Protector, Pipe	1	
	0899 42 302	Protector, Pipe	5	$\frac{74}{12} \sim \bigcirc$
46	1029 42 304 A	Pad, Fuel Tank	3	

No.	Part Number	Description	Q'ty	Remarks
47	0585 42 305	Pad, Fuel Tank	3	
48	0585 42 306	Protector, Pipe	1	
49	0585 42 308	Spacer	1	
50	1029 42 313A	Tube, Vent - Condense Tank~Fuel Tank	1	
51	1029 42 314A	Tube, Vent - Condense Tank~Fuel Tank	1	
52	1029 42 321A	Tank, Condense	1	
53	99786 0620	Bolt, Condense Tank	3	
	99952 0618	Washer, Plain	3	
54	99348 06420	Tube, Vent - Condense Tank~Check Valve (ℓ =420)	1	Ord. By No. 99349 06750 (1.75m)
55	99348 06340	Tube, Vent - Condense Tank~Filler Pipe (ℓ =340)	1	Ord. By No. 99349 06750 (1.75m)
56	99709 0108	Band, Vent Tube	1	
57	99283 1100	Clip, Vent Tube	11	
58	99277 1202	Clip, Vent Tube	2	
59	0866 42 366	Gasket, Filler Pipe	1	
60	99797 0512	Bolt, Filler Pipe	4	
	99952 0500	Washer, Plain	4	
	99971 0500	Washer, Spring	4	
61	0866 42 544	Elbow, Pipe	1	
62	0866 42 551	Plate, Lock - Filler Lid	1	
63	0866 42 552	Plate, Backup	1	

FUEL TANK & PIPING (WAGON)

(USED FROM $\frac{74}{10}$)

13

42

No.	Part Number	Description	Q'ty	Remarks
64	99797 0512	Screw, Plate	2	
	99952 0500	Washer, Plain	2	
	99971 0500	Washer, Spring	2	
65	1029 42 612	Hose, Fuel-Fuel Filter ~Fuel Pump	1	
66	1029 45 142	Hose, Fuel-Fuel Filter ~Fuel Pump	1	$\frac{74}{11}$ ~ X
67	1029 42 613A	Hose, Fuel-Fuel Tank ~Fuel Filter	1	
68	1029 45 141	Hose, Fuel-Fuel Tank ~Fuel Filter	1	$\frac{74}{11}$ ~ X
69	99283 1200	Clip, Fuel Hose	5	
70	99283 1100	Clip, Fuel Hose	1	
71	99278 1201	Clip, Fuel Hose	2 3	$\frac{74}{11}$ ~ Q'ty
72	1029 42 620A	Bracket, Fuel Pump	1	
73	1029 45 130	Bracket, Fuel Pump	1	$\frac{74}{11}$ ~ X
74	99786 0616	Bolt, Bracket	4	
	99786 0612	Bolt, Bracket	4	$\frac{74}{11}$ ~ X
	99952 0618	Washer, Plain	4	$\frac{74}{11}$ ~ Discarded
75	1114 42 710A	Valve, Check	1	
76	2694 42 750	Bracket, Check Valve	1	
77	99865 0520	Screw, Bracket	1	
78	0866 50 501	Nut, Spring-Bracket	1	
79	99940 0501	Nut, Check Valve	2	

13

42

FUEL TANK & PIPING (WAGON)(USED FROM $\frac{7}{10}$)

No.	Part Number	Description	Q'ty	Remarks
80	1029 42 331	Hose, Fuel Tank~Filler Pipe	1	
81	99282 2201	Clip, Hose	2	
82	99348 06600	Hose, Check Valve~Evaporation Pipe (ℓ = 600)	1	Order Under No. 99349 06750 (1.75m)
83	99348 06340	Hose, Check Valve~Floor (ℓ = 340)	1	Order Under No. 99349 06750 (1.75m)
84	1029 45 111A	Pipe, Fuel Main	1	
	1029 45 111B	Pipe, Fuel Main	1	$\frac{7}{11}$ ~×
85	1791 74 613	Hose, Fuel-Fuel Pump~Fuel Main Pipe	1	
86	1029 45 143A	Hose, Fuel-Fuel Pump~Fuel Main Pipe	1	$\frac{7}{11}$ ~×
87	1029 45 611	Pipe, Fuel Return	1	
88	99348 06155	Hose, Fuel Return-Tank Side (ℓ = 155)	1	Order Under No. 99349 06750 (1.75m)
89	99283 1000	Clip, Fuel Return Pipe	2	
90	1029 45 711	Pipe, Evaporation	1	
91	0866 45 903A	Clip, Pipe	16	
92	1650 45 921	Clip, Pipe	1	
93	99786 0612	Bolt, Clip	16	
94	1029 60 960	Gauge, Fuel Tank	1	
95	1029 60 969	Gasket, Tank Gauge	1	
96	99797 0410	Screw, Tank Gauge	10	

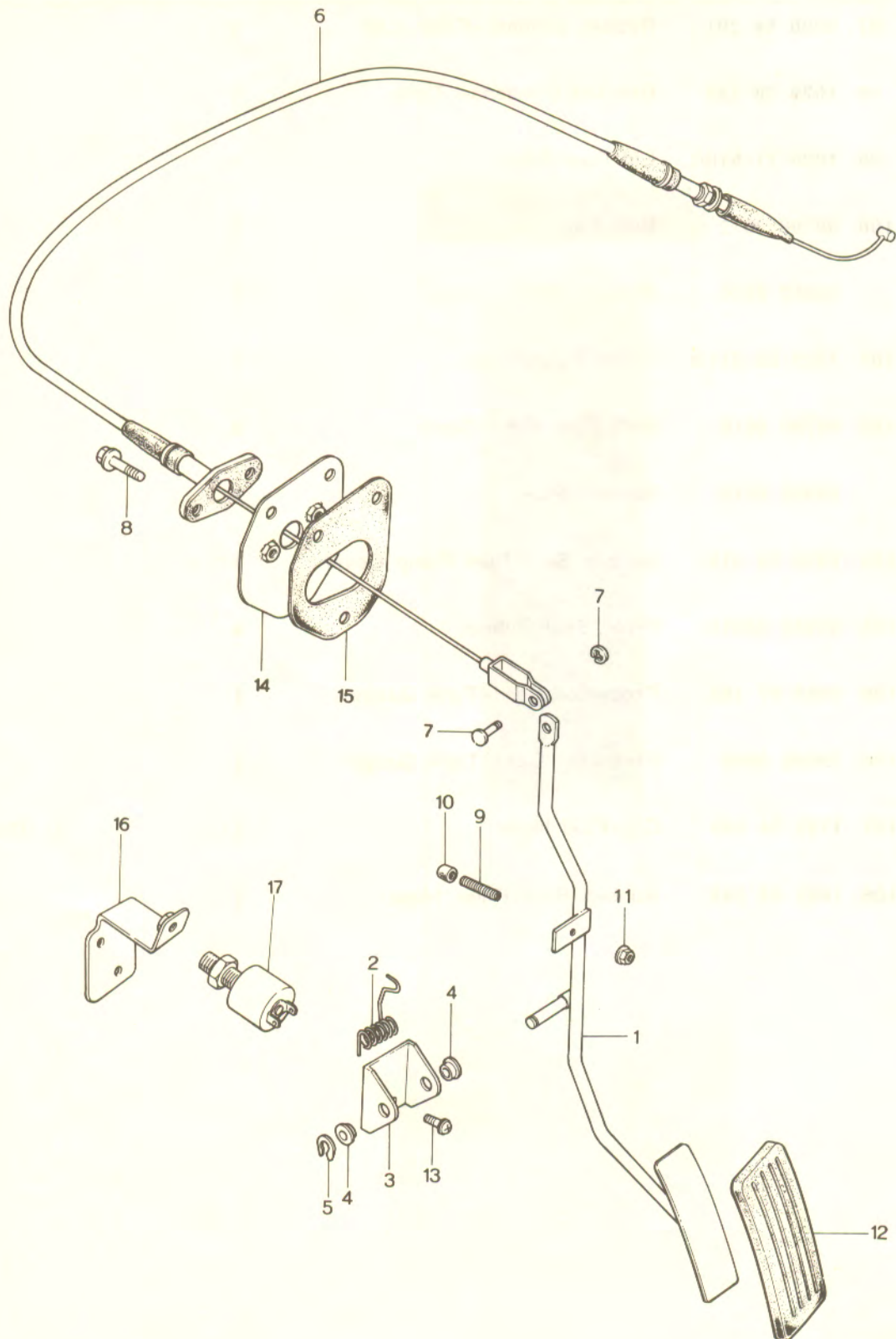
FUEL TANK & PIPING (WAGON)

(USED FROM $\frac{74}{10}$)

13

42

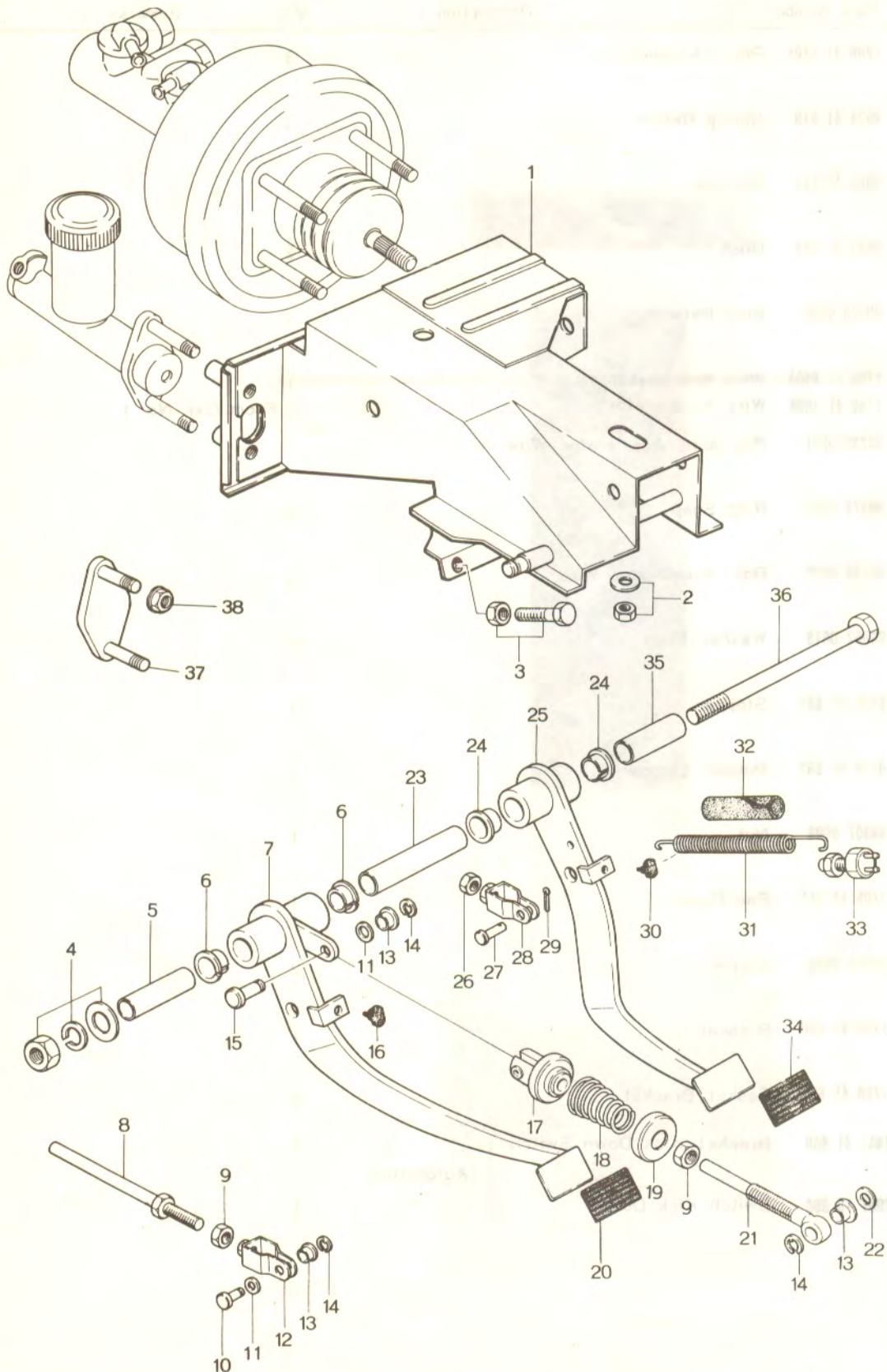
No.	Part Number	Description	Q'ty	Remarks
97	0200 54 291	Rubber, Stopper - Filler Lid	1	
98	1029 70 130	Bracket, Condense Tank	1	
99	1029 71 510C	Lid, Fuel Filler	1	
100	99796 0512	Bolt, Filler Lid	2	
	99952 0500	Washer, Plain	2	
101	1029 56 311B	Cover, Fuel Pump	1	
102	99786 0616	Bolt, Fuel Pump Cover	3	
	99952 0618	Washer, Plain	3	
103	1029 56 315	Rubber, Seal - Fuel Pump Cover	1	
104	99263 0601B	Rivet, Seal Rubber	4	
105	0866 67 152	Protector, Cord - Tank Gauge	1	
106	99686 0500	Protector, Cord - Tank Gauge	1	
107	1791 74 630	Clip, Fuel Hose	1	$\frac{74}{11}$ ~ Discarded
108	1029 42 242	Rubber, Seal - Filler Hose	1	



ACCELERATOR CONTROL SYSTEM

41

No.	Part Number	Description	Q'ty	Remarks
1	1708 41 610A	Pedal, Accelerator	1	
2	0824 41 619	Spring, Return	1	
3	0305 41 641	Retainer	1	
4	0259 41 644	Bush	2	
5	99575 0600	Ring, Retaining	1	
6	1708 41 660A	Wire, Accelerator	1	
●	1708 41 660B	Wire, Accelerator	1	From Car No. 1
7	99230 0511	Pin, Joint - Accelerator Wire	1	
	99575 0300	Ring, Snap	1	
8	99786 0620	Bolt, Accelerator Wire	5	
	99952 0618	Washer, Plain	5	
9	0118 41 681	Stopper	1	
10	0118 41 682	Rubber, Stopper	1	
11	99907 0600	Nut	1	
12	1708 41 711	Pad, Pedal	1	
13	99786 0616	Screw	2	
14	1708 41 690	Bracket	1	
15	1708 41 695	Gasket, Bracket	1	
●	1651 41 650	Bracket, Kick Down Switch	1	} (Automatic)
●	2691 18 660	Switch, Kick Down	1	



CLUTCH & BRAKE PEDAL

41

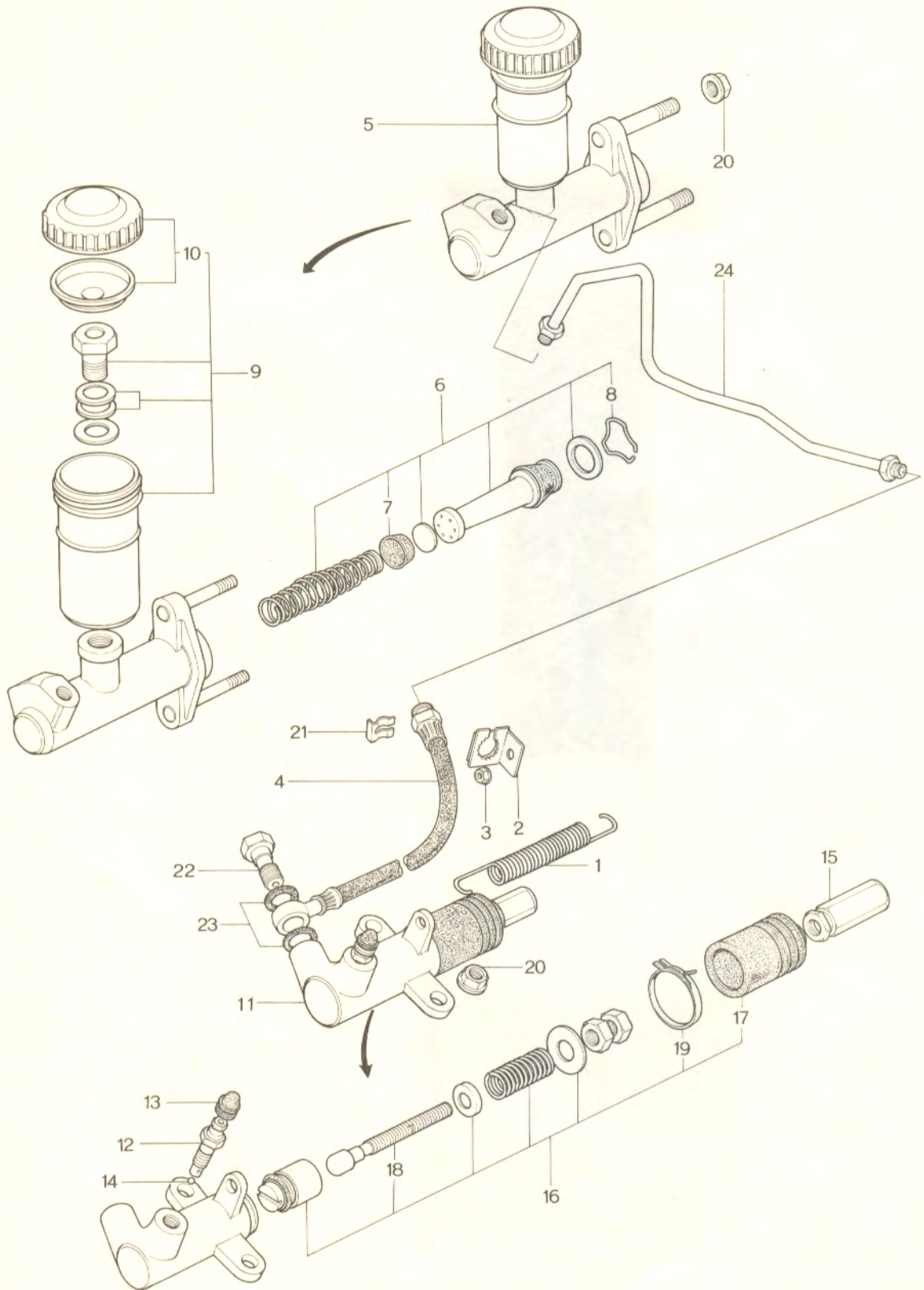
43

No.	Part Number	Description	Q'ty	Remarks
1	1011 43 070	Bracket, Master Cylinder	1	
2	99940 0800	Nut, Bracket	1	
	99951 0822	Washer, Plain	1	
3	99795 1032	Bolt, Pedal Stopper	1	} (Manual)
	99922 1000	Nut	1	
4	99921 1200	Nut, Pedal	1	
	99971 1200	Washer, Spring	1	
	99951 1226	Washer, Plain	1	
5	0187 43 061	Pipe, Clutch Pedal	1	} (Manual)
6	0223 43 022	Bush, Clutch Pedal	2	
7	2835 41 030	Pedal Clutch	1	
8	0824 41 131	Rod, Push - Clutch	1	
9	99922 0800	Nut, Push Rod	2	
10	0187 46 683	Pin, Clutch Fork	1	
11	0824 41 084	Spacer	2	
12	0305 41 140	Fork, Clutch	1	
13	0259 41 644	Bush	3	
14	99575 0600	Ring, Retaining	3	
15	0604 46 785	Pin	1	
16	0187 43 029	Rubber, Stopper	1	

No.	Part Number	Description	Q'ty	Remarks
17	0559 41 040C	Seat, Spring	1	
18	0559 41 081 A	Spring, Return	1	
19	0183 41 043	Seat, Spring	1	} (Manual)
20	0259 43 028	Pad, Pedal	1	
21	0824 41 051 A	Rod	1	
22	99952 0816	Washer, Plain	1	
23	1011 43 063	Spacer	1	
24	0223 43 022	Bush, Brake Pedal	1	
25	1708 43 030B	Pedal, Brake (Manual)	1	
	1707 43 030 A	Pedal, Brake (Automatic)	1	
26	99922 1000	Nut, Brake Fork	1	
27	99231 0820	Pin, Joint	1	
28	1524 43 140	Fork, Brake	1	
29	99221 2020	Pin, Split	1	
30	0187 43 029	Rubber, Stopper	1	
31	0810 41 308	Spring, Return	1	
32	1011 43 082	Protector, Spring	1	
33	0223 66 790	Switch, Stop	1	
●	0233 66 790	Switch, Stop	1	From Car No. 1
34	0259 43 028	Pad, Pedal (Manual)	1	
	1015 43 028	Pad, Pedal (Automatic)	1	
35	2301 43 061	Pipe, Brake Pedal	1	
36	99813 12200	Bolt, Pedal (Manual)	1	
	99813 12155	Bolt, Pedal (Automatic)	1	
37	1015 43 090	Plate	1	} (Automatic)
38	99940 0800	Nut, Plate	2	



CLUTCH RELEASE & MASTER CYLINDER (MANUAL)



CLUTCH RELEASE & MASTER CYLINDER (MANUAL)

41

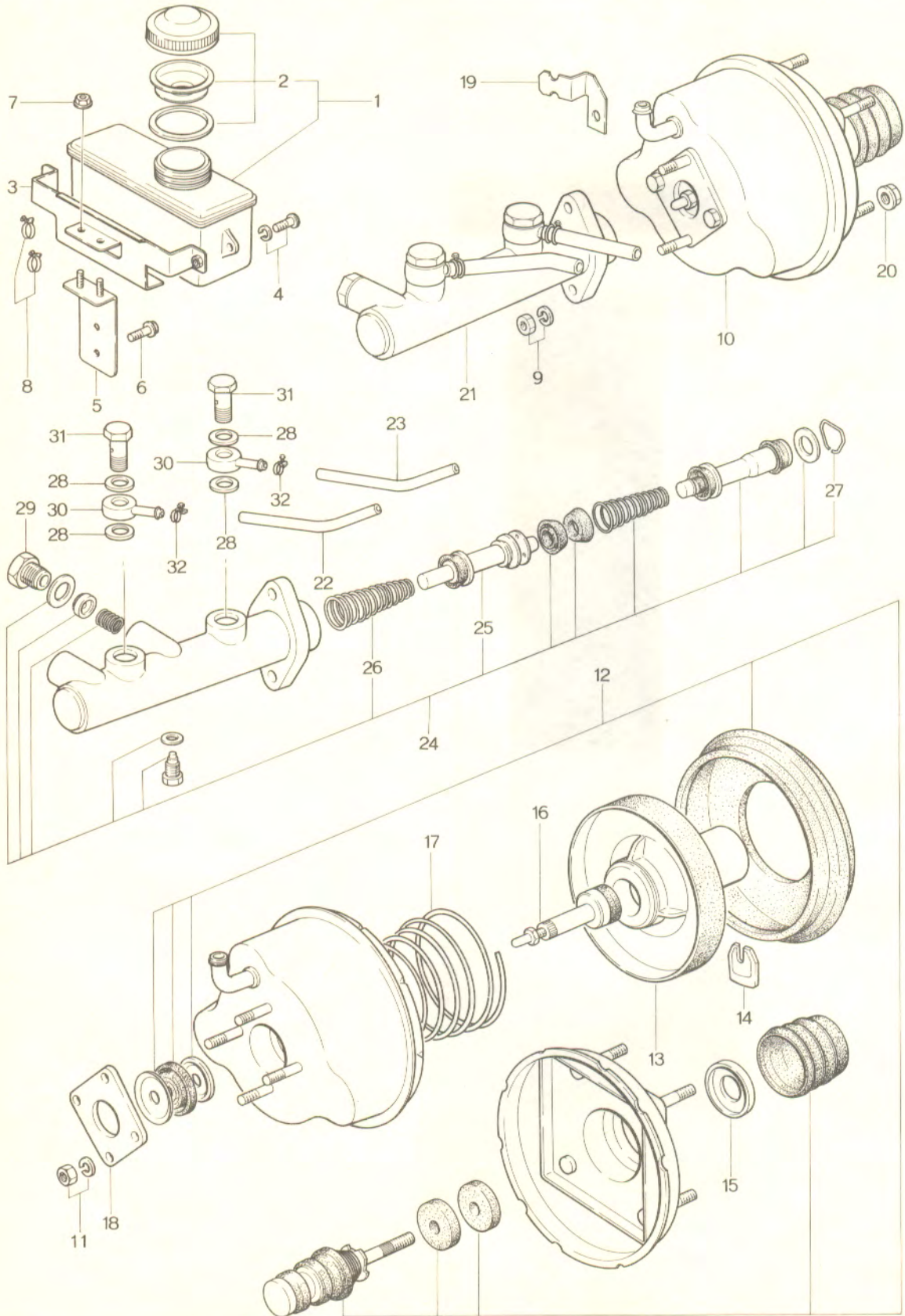
No.	Part Number	Description	Q'ty	Remarks
1	0183 41 308	Spring, Clutch Release	1	$\frac{3}{4}$ "~Discarded
2	0866 41 370	Holder, Pipe	1	
3	99940 0600	Nut, Pipe Holder	1	
4	0866 41 380	Hose, Flexible	1	
5	1011 41 400	Cylinder, Clutch Master	1	
	1011 41 400A	Cylinder, Clutch Master	1	$\frac{3}{11}$ "~○
6	0839 89 431A	Repair Kit (Fig. No. 6 & 7 included)	1	
7	0839 41 461	Cup, Primary	1	
8	0111 43 432	Wire, Piston Stop	1	
9	0317 89 435	Tank Set, Reserve	1	
	0317 89 435A	Tank Set, Reserve	1	$\frac{3}{11}$ "~△
●	0317 89 435B	Tank Set, Reserve	1	$\frac{3}{4}$ "~○
10	0317 89 436A	Cap Set, Reserve Tank	1	
11	1011 41 920	Cylinder, Clutch Release	1	
	1881 41 920A	Cylinder, Clutch Release	1	$\frac{3}{4}$ "~△
12	0259 33 691	Screw, Bleeder	1	
13	0259 33 693	Cap, Bleeder	1	
14	99611 1500	Ball, Steel	1	
15	0603 41 342	Screw, Adjust	1	$\frac{3}{4}$ "~Discarded
16	1011 89 411	Repair Kit (Fig. No. 16~19 included)	1	
	1881 89 411	Repair Kit	1	$\frac{3}{4}$ "~×
17	1011 41 331	Boot	1	
	0603 41 331	Boot	1	$\frac{3}{4}$ "~×
18	1011 41 341	Rod, Push	1	
	1881 41 341	Rod, Push	1	$\frac{3}{4}$ "~×

CLUTCH RELEASE & MASTER CYLINDER (MANUAL)

No.	Part Number	Description	Q'ty	Remarks
● 19	1011 41 345	Clip	1	$\frac{3}{4}$ ~ Discarded
20	99940 0800	Nut, Cylinder	4	
21	0136 43 635	Clip, Flexible	2	
22	0221 43 694	Bolt, Connector	1	
23	99562 1000	Gasket	2	
24	1708 45 510A	Pipe, Clutch	1	
●	1708 45 510B	Pipe, Clutch	1	$\frac{7}{12}$ ~ ×



TANDEM MASTER CYLINDER & VACUUM POWER ASSIST



TANDEM MASTER CYLINDER & VACUUM POWER ASSIST

43

49

No.	Part Number	Description	Q'ty	Remarks
1	0839 43 550	Tank, Reserve	1	
	0839 43 550A	Tank, Reserve	1	$\frac{3}{2}$ ~ O
2	0317 89 436A	Cap Set, Tank	1	
3	0839 43 570	Holder, Reserve Tank	1	
4	99833 0512	Screw, Tank Holder	2	
	99971 0500	Washer, Spring	2	
5	1708 43 580	Holder, Reserve Tank	1	
6	99786 0612	Bolt, Tank Holder	2	
7	99940 0500	Nut, Tank Holder	2	
8	99282 1401	Clamp, Hose	2	
9	99901 0800	Nut, Tandem Master Cylinder	2	
	99971 0800	Washer, Spring	2	
10	0437 43 800	Power Assist - Vacuum	1	
●	3565 43 800	Power Assist - Vacuum	1	(Components not available yet) $\frac{7}{10}$ ~ X
11	99906 0800	Nut	2	
	99971 0800	Washer, Spring	2	
12	0437 49 720	Repair Kit	1	
	2835 49 720	Repair Kit	1	From Car No. 1
	3565 49 720	Repair Kit	1	$\frac{7}{10}$ ~ X
13	0824 49 745	Plate, Diaphragm	1	
14	2046 49 746	Key	1	
15	2046 49 747	Retainer, Silencer	1	

43

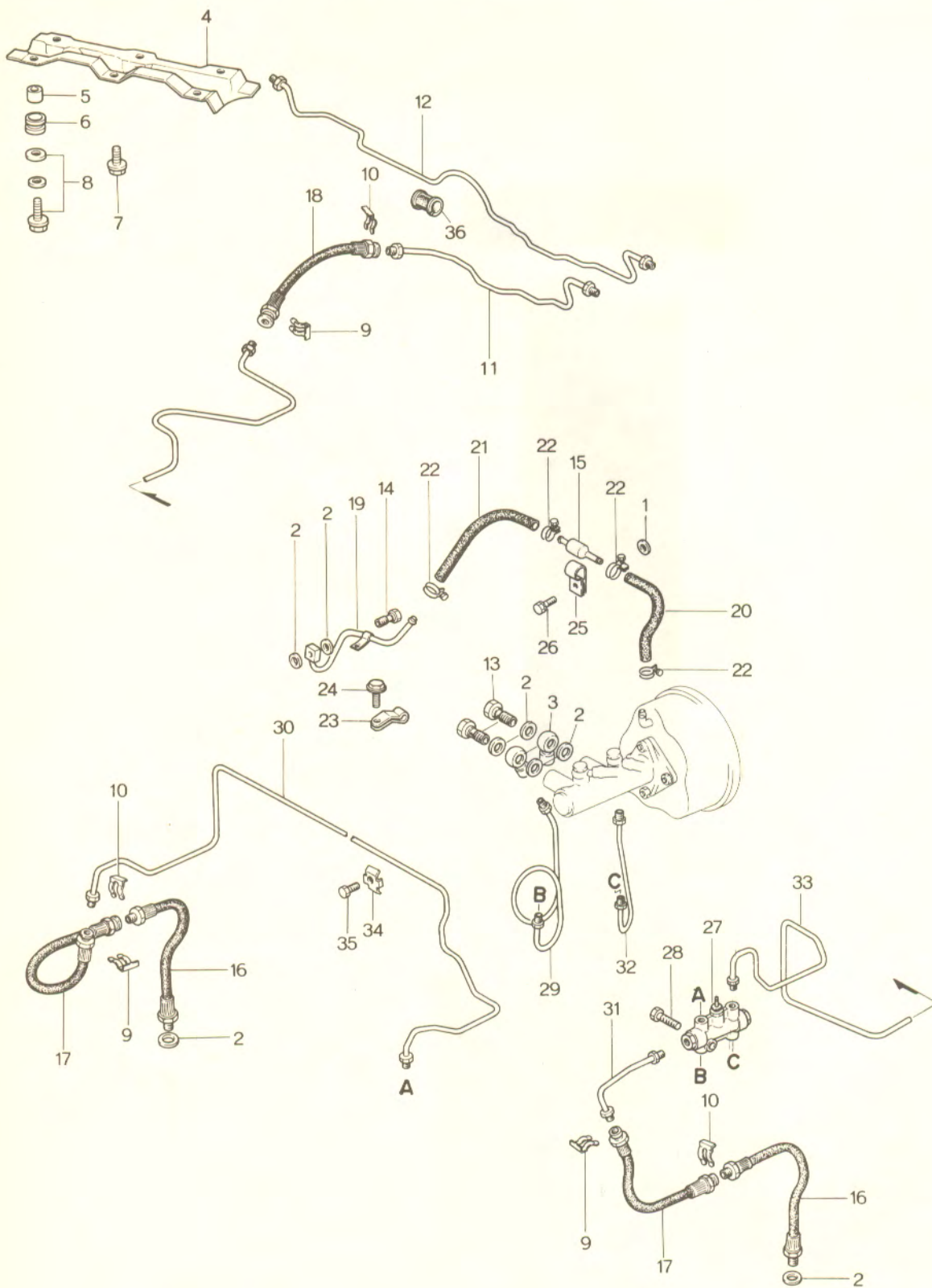
49

TANDEM MASTER CYLINDER & VACUUM POWER ASSIST

No.	Part Number	Description	Q'ty	Remarks
16	0824 49 770	Rod, Push	1	
	0870 49 770	Rod, Push	1	From Car No. 1
17	0824 49 781	Spring	1	
18	0824 49 782	Flange	1	
19	1708 43 951A	Clip	1	
20	99940 0800	Nut, Vacuum Power Assist	4	
21	1708 43 990A	Cylinder, Tandem Master	1	
	1708 43 990B	Cylinder, Tandem Master	1	$\frac{7}{10}$ ~○
22	0512 43 422	Hose, Reserve	1	
	1708 43 422	Hose, Reserve	1	$\frac{7}{10}$ ~○
23	0595 43 422	Hose, Reserve	1	
	1708 43 423	Hose, Reserve	1	$\frac{7}{10}$ ~○
24	1708 49 610	Repair Kit	1	
25	1708 49 630	Piston, Floating	1	
26	1708 49 642	Spring	1	
27	0305 49 638	Wire, Piston Stop	1	
28	0305 49 656	Gasket, Joint Bolt	4	
29	0512 49 651	Bolt, Joint	2	
30	0512 49 682	Joint, Union	2	
●	0512 49 682A	Joint, Union	2	$\frac{7}{8}$ ~△
31	0512 49 686	Bolt, Connector	2	
32	99282 1401	Clamp, Hose	2	
	99282 1401	Clamp, Hose	2	From Car No. 1



BRAKE PIPING



BRAKE PIPING

43

45

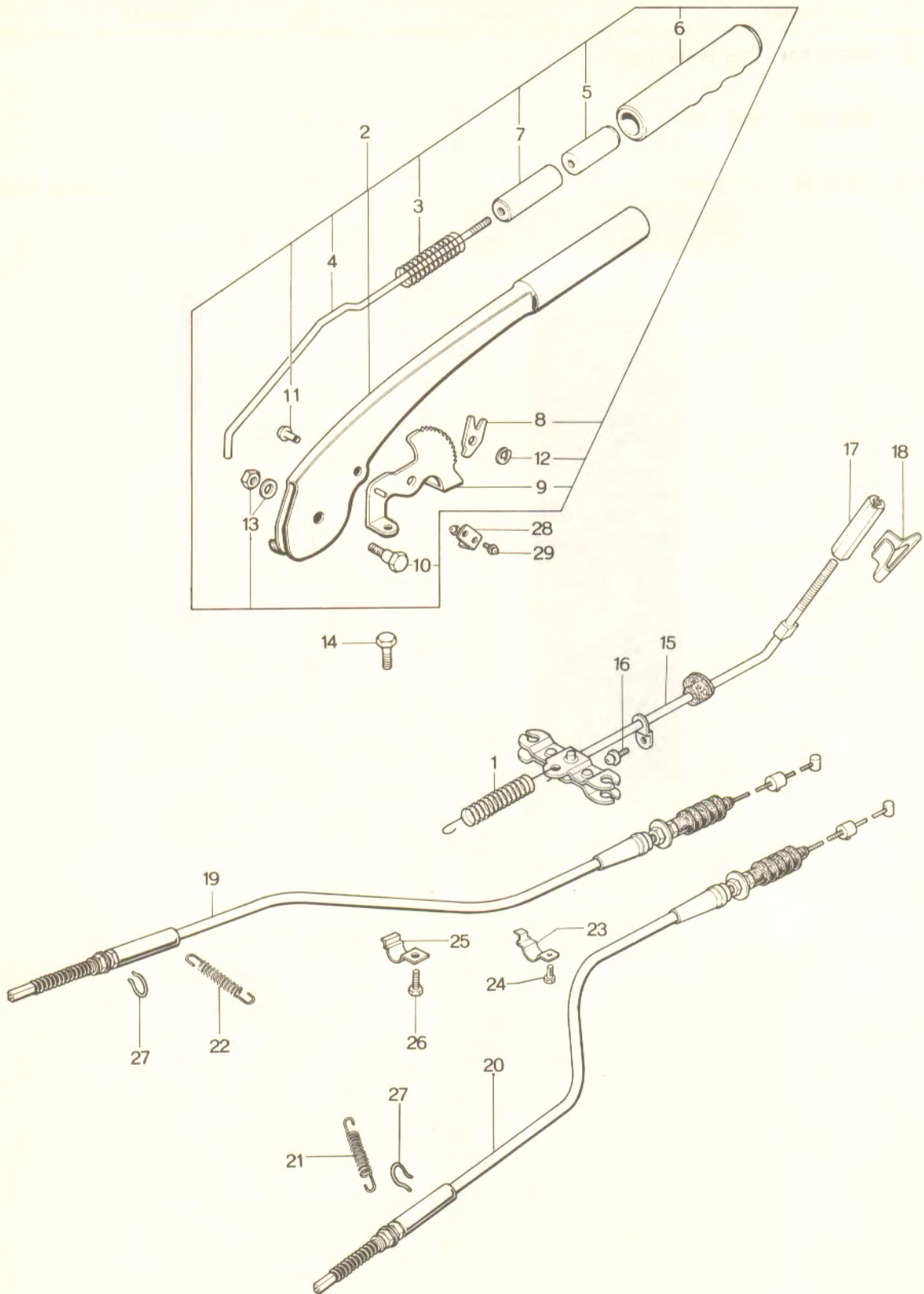
No.	Part Number	Description	Q'ty	Remarks
1	0118 13 431	Washer, Rubber	1	
2	99562 1000	Gasket, Vacuum Pipe Holder	8	
	99562 1000	Gasket, Flexible Pipe & Connector Bolt	6	From Car No. 1
	99562 1200	Gasket, Vacuum Pipe	2	From Car No. 1
3	0118 41 375	Connector, Brake Pipe	2	
4	1114 43 605C	Protector, Brake Pipe	1	
5	1114 43 608B	Spacer	4	
6	1114 43 609A	Rubber, Cushion	4	
7	99781 0818	Bolt, Protector	2	
	99952 0800	Washer, Plain	2	
	99971 0800	Washer, Spring	2	
8	99781 0822	Bolt, Protector	4	
	99951 0822	Washer, Plain	4	
	99971 0800	Washer, Spring	4	
9	0136 43 635	Clip, Flexible Hose	3	
10	0305 43 635	Clip, Flexible Hose	3	
11	1011 43 650	Pipe No. 1, Brake-Rear (Sedan & Hardtop)	1	
	1029 43 650	Pipe No. 1, Brake-Rear (Wagon)	1	
	1029 43 650A	Pipe No. 1, Brake-Rear (Wagon)	1	$\frac{3}{4}$ "~X
12	1114 43 660A	Pipe No. 2, Brake-Rear (Sedan & Hardtop)	1	
	1791 43 660A	Pipe No. 2, Brake-Rear (Wagon)	1	
	1791 43 660B	Pipe No. 2, Brake-Rear (Wagon)	1	$\frac{3}{4}$ "~X
	1791 43 660C	Pipe No. 2, Brake-Rear (Wagon)	1	$\frac{7}{8}$ "~△
13	0221 43 694	Bolt, Connector-Brake Pipe	2	
14	1570 43 694A	Bolt, Connector-Vacuum Pipe	1	

BRAKE PIPING

No.	Part Number	Description	Q'ty	Remarks
15	0223 43 770	Valve, Check	1	
●	0233 43 770	Valve, Check	1	From Car No. 1
16	1757 43 810	Hose, Flexible - Front	2	
17	1757 43 820	Hose, Flexible - Front	2	
18	1758 43 820	Hose, Flexible - Rear	1	
19	1757 43 830	Pipe, Vacuum	1	
	1757 43 830A	Pipe, Vacuum	1	From Car No. 1
20	1744 43 836	Hose, Vacuum	1	
21	2192 43 836	Hose, Vacuum (Sedan & Hardtop)	1	
	1011 43 836	Hose, Vacuum (Sedan & Hardtop)	1	$\frac{7}{8}$ " ~ ○
	2191 43 836	Hose, Vacuum (Wagon)	1	
	2192 43 836	Hose, Vacuum (Wagon)	1	From Car No. 1
	1011 43 836	Hose, Vacuum (Wagon)	1	$\frac{7}{8}$ " ~ ○
22	99282 1901	Clamp, Hose	4	
23	1757 43 848	Holder, Pipe	1	
24	99796 0812	Bolt, Pipe Holder	1	
25	2835 43 848	Holder, Pipe	1	
26	99786 0614	Bolt, Pipe Holder	1	
27	2229 43 890A	Indicator, Brake Fail	1	
28	99786 0635	Bolt, Indicator	1	
29	1708 45 250A	Pipe, Brake Main - Front	1	
30	1708 45 280D	Pipe (R), Brake - Front	1	
	1708 45 280E	Pipe (R), Brake - Front	1	$\frac{7}{12}$ " ~ ×
●	1708 45 280G	Pipe (R), Brake - Front	1	$\frac{7}{8}$ " ~ △
31	1708 45 320	Pipe (L), Brake - Front	1	
32	1708 45 350	Pipe, Brake Main - Rear	1	
33	1706 45 360B	Pipe, Brake - Rear	1	
	1708 45 360C	Pipe, Brake - Rear	1	$\frac{7}{12}$ " ~ ×
●	1708 45 360D	Pipe, Brake - Rear	1	$\frac{7}{8}$ " ~ ○

No.	Part Number	Description	Q'ty	Remarks
34	0866 45 903A	Clip, Brake Pipe	5	
35	99786 0612	Bolt, Clip	5	
● 36	0578 45 995	Protector	1	$\frac{3}{11}$ ~Added Anew





PARKING BRAKE SYSTEM

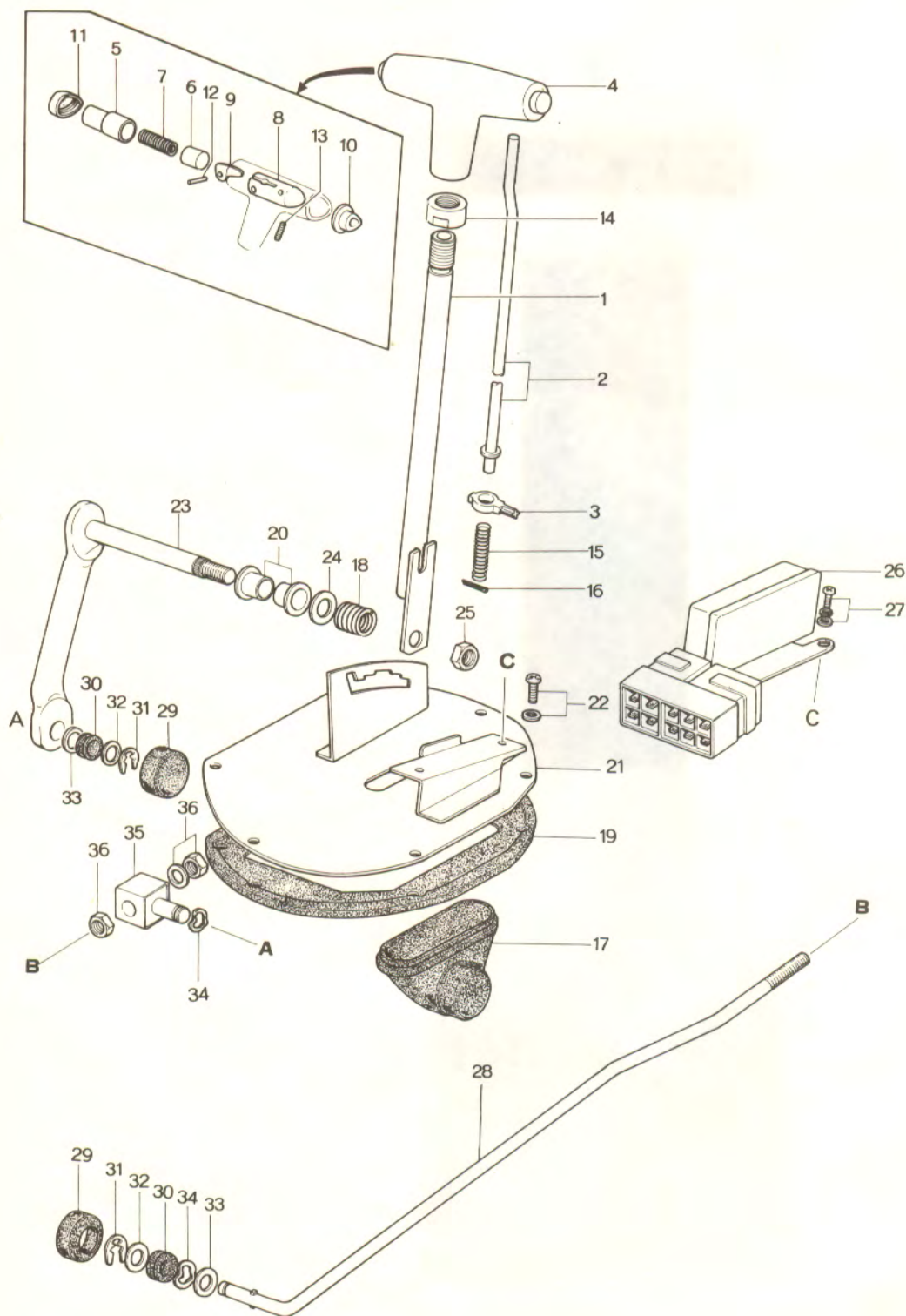
44

No.	Part Number	Description	Q'ty	Remarks
1	0183 41 308	Spring, Return-Front Cable	1	
2	0866 44 010	Lever, Parking Brake	1	
3	0813 44 031	Spring	1	
4	0303 44 032	Rod, Release	1	
5	0221 44 033	Button, Release	1	
6	0813 44 034	Cap	1	
7	0813 44 035	Spacer	1	
8	0221 44 044	Ratchet	1	
9	0866 44 051	Sector	1	
10	0303 44 053	Bolt, Parking Lever	1	
11	99230 0815B	Pin, Ratchet	1	
12	99575 0500	Ring, Stop-Ratchet	1	
13	99901 0800B	Nut, Parking Lever	1	
	99971 0800	Washer, Spring	1	
14	99786 0616	Bolt, Front Cable	4	
15	0866 44 150A	Cable, Front	1	
16	99860 0508	Screw, Front Cable	1	
17	0866 44 187A	Screw, Adjust	1	

PARKING BRAKE SYSTEM

No.	Part Number	Description	Q'ty	Remarks
18	0866 44 189	Clip	1	
19	1011 44 410C	Cable, Rear	(Sedan & Hardtop) 2 (Wagon) 1	
20	1029 44 410	Cable (R), Rear (Wagon)	1	
●	1029 44 410A	Cable (R), Rear (Wagon)	1	$\frac{3}{16}$ " ~ O
21	0578 44 431	Spring (R), Rear Cable (Wagon)	1	
22	1011 44 431	Spring, Rear Cable	(Sedan & Hardtop) 2 (Wagon) 1	
23	0866 44 439	Clip, Rear Cable (Wagon)	1	
24	99786 0616	Bolt, Clip (Wagon)	1	
25	1011 44 439	Clip, Cable	2	
26	99786 0616	Bolt, Clip	2	
27	0305 44 471	Clip, Cable	2	
28	0820 66 840	Switch, Parking Lamp	1	
29	99833 0412	Screw, Parking Lamp Switch	2	
	99952 0400	Washer, Plain	2	
	99971 0400	Washer, Spring	2	





CHANGE CONTROL (AUTOMATIC)

46

No.	Part Number	Description	Q'ty	Remarks
1	1015 46 010A	Lever, Selector	1	
2	1840 46 021	Rod	1	
3	1840 46 022	Pin, Guide	1	
4	1736 46 030	Knob, Change Lever	1	
5	2375 46 051A	Knob	1	
6	2375 46 052	Piston	1	
7	2375 46 053	Spring	1	
8	2375 46 054	Supporter	1	
9	2375 46 055	Lever	1	
10	2375 46 056A	Plug	1	
11	0308 46 057A	Cap	1	
12	99225 0320	Pin	1	
13	99887 0412	Screw	1	
14	2375 46 061	Nut	1	
15	2375 46 062	Spring	1	
16	99221 2020	Pin, Split	1	
17	1015 46 081	Boot	1	
18	1015 46 082	Spring	1	

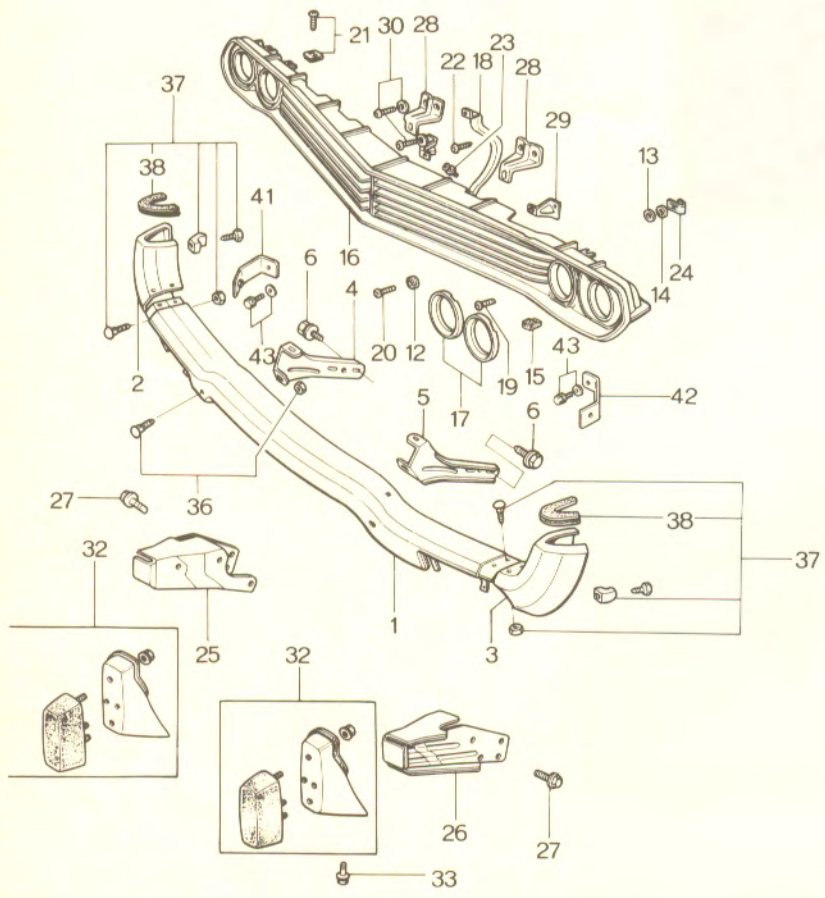
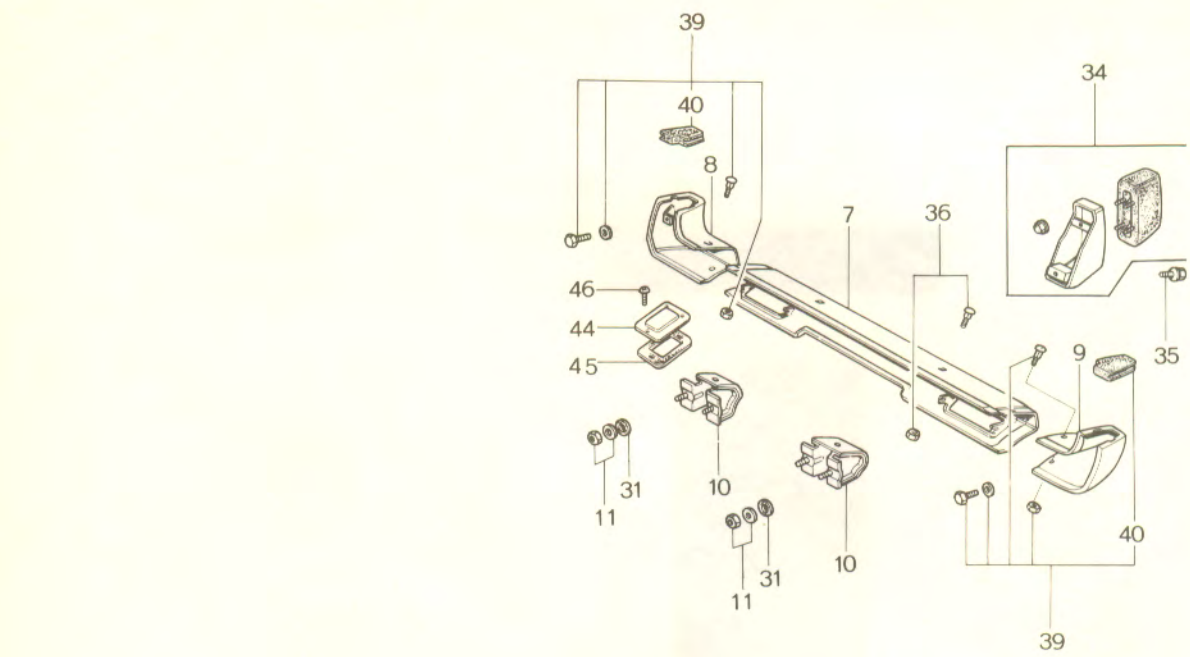
CHANGE CONTROL (AUTOMATIC)

No.	Part Number	Description	Q'ty	Remarks
19	1015 46 083 A	Rubber, Seal	1	
20	1015 46 085	Bush, Lever	2	
21	1015 46 110	Bracket, Selector Lever	1	
22	99865 0616	Screw, Lever Bracket	6	
23	1015 46 150 A	Lever	1	
24	99953 1400	Washer, Plain	1	
25	99922 1000	Nut, Lever	1	
	99971 1000	Washer, Spring	1	
26	1015 66 520 A	Switch, Inhibitor	2	
27	99833 0610	Screw, Inhibitor Switch	2	
	99952 0600	Washer, Plain	2	
	99971 0600	Washer, Spring	1	
28	1015 46 571 A	Rod	1	
29	1015 46 648	Cover, Dust	2	
30	1015 46 684	Bush	2	
31	99575 0600	Ring, Retaining	2	
32	99952 0816	Washer, Plain	2	
33	99953 0800	Washer, Plain	2	
34	99972 0800	Washer, Wave	2	
35	1015 46 691	Joint, "T"	1	
36	99902 0800	Nut, "T" Joint	2	
	99971 0800	Washer, Spring	1	



BUMPER & GRILLE (HARDTOP)

(USED UP TO $\frac{74}{10}$)



BUMPER & GRILLE (HARDTOP)

(USED UP TO $\frac{74}{10}$)

50

No.	Part Number	Description	Q'ty	Remarks
1	1757 50 030	Bumper (C), Front	1	
2	1011 50 040C	Bumper (R), Front	1	
3	1011 50 050C	Bumper (L), Front	1	
4	1011 50 081A	Stay (R), Front Bumper	1	
5	1011 50 091A	Stay (L), Front Bumper	1	
6	99786 0820	Bolt	4	
	99952 0822	Washer, Plain	4	
7	1757 50 221	Bumper (C), Rear	1	
8	1011 50 230	Bumper (R), Rear	1	
9	1011 50 240	Bumper (L), Rear	1	
10	1757 50 270	Stay, Rear Bumper	2	
11	99940 1002	Nut, Stay	4	
12	0305 50 541	Washer, Radiator Grille	4	
13	0305 50 543	Spacer, Radiator Grille	4	
14	1011 50 701	Cushion, Radiator Grille	4	
15	1011 50 705	Pad, Radiator Grille	2	
● 16	1011 50 711B02	Grille, Radiator (SILV. M)	1	
● 17	1011 50 711B03	Grille, Radiator (SILV. M)	1	$\frac{7}{8}$ ~○
17	1011 50 721B	Ring, Lamp	4	
18	1011 50 730	Stay, Radiator Grille	1	
19	99768 0425B	Screw, Tapping-Radiator Grille	4	

BUMPER & GRILLE (HARDTOP)

(USED UP TO $\frac{74}{10}$)

No.	Part Number	Description	Q'ty	Remarks
20	99769 0420 B	Bolt, Radiator Grille	4	
21	99769 0512	Screw, Radiator Grille	4	
	0866 50 501	Nut, Spring-Radiator Grille	4	
22	99774 0516 B	Screw, Stay	1	
23	99797 0614	Screw, Stay	1	
	99951 0618	Washer, Plain	1	
24	99896 0400	Nut, Spring-Radiator Grille	8	
25	1757 52 710	Bracket (R), Bumper-Front	1	
26	1757 52 750	Bracket (L), Bumper-Front	1	
27	99784 0816	Bolt, Bracket	4	
28	1011 52 951	Bracket, Radiator Grille	2	
29	1011 52 952	Bracket, Radiator Grille	2	
30	99863 0508	Screw, Tapping-Bracket	8	
	99952 0500	Washer, Plain	8	
31	0111 57 111	Rubber Set	2	
32	1757 99 801	Guard Set (R), Bumper-Front	1	
●	1757 99 801 A	Guard Set (R), Bumper-Front	1	$\frac{73}{10} \sim \Delta$
●	1757 99 801 B	Guard Set (R), Bumper-Front	1	$\frac{74}{2} \sim \Delta$
●	1757 99 801 C	Guard Set (R), Bumper-Front	1	$\frac{74}{4} \sim \Delta$
	1757 99 802	Guard Set (L), Bumper-Front	1	
●	1757 99 802 A	Guard Set (L), Bumper-Front	1	$\frac{73}{10} \sim \Delta$
●	1757 99 802 B	Guard Set (L), Bumper-Front	1	$\frac{74}{2} \sim \Delta$
●	1757 99 802 C	Guard Set (L), Bumper-Front	1	$\frac{74}{4} \sim \Delta$
33	99786 0820	Bolt, Guard Set & Bumper	6	
	99952 0822	Washer, Plain	6	
34	1757 99 806	Guard Set, Bumper-Rear	2	

BUMPER & GRILLE (HARDTOP)

(USED UP TO $\frac{74}{10}$)

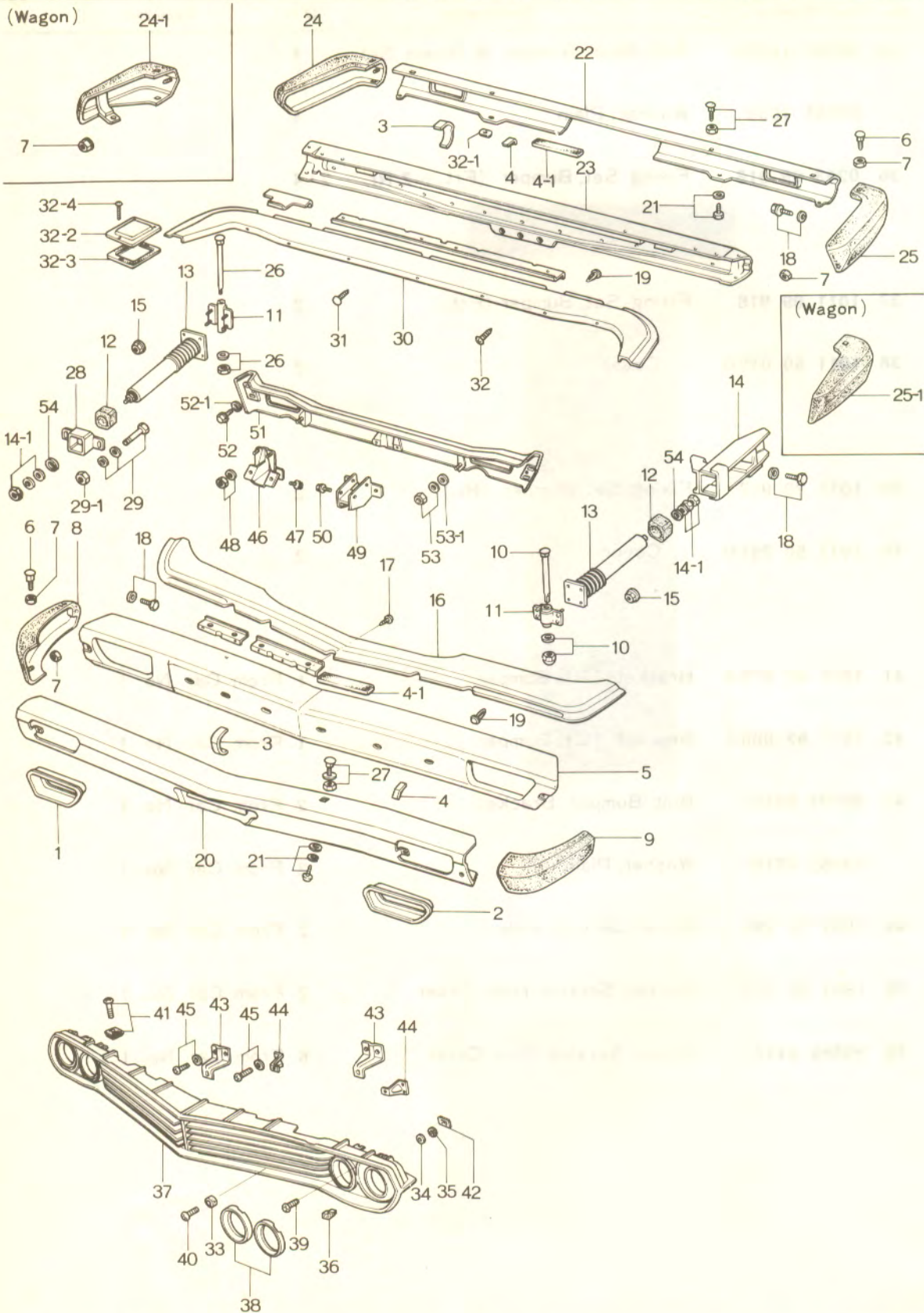
50

No.	Part Number	Description	Q'ty	Remarks
35	99794 10259	Bolt, Rear Bumper & Guard Set	4	
	99951 1030	Washer, Plain	4	
36	0243 99 916	Fixing Set, Bumper (Fr. ...2,Rr. ... 2)	4	
37	1011 99 916	Fixing Set, Bumper (Fr.)	2	
38	1011 50 012B	Cover	2	
39	1011 99 917	Fixing Set, Bumper (Rr.)	2	
40	1011 50 291B	Cover	2	
41	1011 52 970A	Bracket (R), Bumper	1	From Car No. 1
42	1011 52 980A	Bracket (L), Bumper	1	From Car No. 1
43	99797 0612	Bolt, Bumper Bracket	2	From Car No. 1
	99952 0618	Washer, Plain	2	From Car No. 1
44	1907 50 291	Cover, Service Hole	2	From Car No. 1
45	1907 50 292	Gasket, Service Hole Cover	2	From Car No. 1
46	99869 0410	Screw, Service Hole Cover	6	From Car No. 1

BUMPER & GRILLE (SEDAN & WAGON)

(USED UP TO 7/9)

(Wagon)



BUMPER & GRILLE (SEDAN & WAGON)

(USED UP TO $\frac{7}{9}$)

50

No.	Part Number	Description	Q'ty	Remarks
1	1755 50 025	Ring (R), Front Turn Signal Lamp	1	
2	1755 50 026	Ring (L), Front Turn Signal Lamp	1	
3	1755 50 036	Spacer "A", Front...7 Rear...9	16	
4	1755 50 037	Spacer "B", Front...2 Rear...3 (Sedan) (Wagon)	5 2	
	1755 50 037	Spacer "B", Front Bumper	2	$\frac{7}{8}$ ~Q'ty
4-1	1755 50 038	Spacer "C", Front...1 Rear...5 (Sedan) (Wagon)	6 1	
	1755 50 038	Spacer "C", Front...3 Rear...5 (Sedan) (Wagon)	8 3	$\frac{7}{8}$ ~Q'ty
5	1755 50 040	Bumper (C), Front	1	
	1755 50 040B	Bumper (C), Front	1	From Car No. 1
●	1756 50 040	Bumper (C), Front (Sedan)	1	$\frac{7}{8}$ ~×
6	1755 50 055	Screw, Bumper Side & Bumper Center	8	
7	99940 0602	Nut, Bumper	16	
8	1755 50 050B	Bumper (R), Front	1	
	1755 50 050C	Bumper (R), Front (Wagon)	1	$\frac{7}{4}$ ~△
●	1756 50 050	Bumper (R) (Sedan)	1	$\frac{7}{8}$ ~×
9	1755 50 060B	Bumper (L), Front	1	
	1755 50 060C	Bumper (L), Front (Wagon)	1	$\frac{7}{4}$ ~△
●	1756 50 060	Bumper (L), Front (Sedan)	1	$\frac{7}{8}$ ~×
10	1755 50 071	Bolt, Bumper & Shock Absorber	2	
	1755 50 071A	Bolt, Bumper & Shock Absorber	2	From Car No. 1

BUMPER & GRILLE (SEDAN & WAGON)

(USED UP TO $\frac{7}{9}$)

No.	Part Number	Description	Q'ty	Remarks
	99945 1000	Nut	2	
	99945 0800	Nut	2	From Car No. 1
	99971 1000	Washer, Spring	2	
	99971 0800	Washer, Spring	2	From Car No. 1
11	1755 50 080 A	Plate, Hinge	4	
12	1755 50 091	Rubber, Mounting-Shock Absorber	4	
●	1756 50 091	Rubber, Mounting-Shock Absorber (Sedan)	4	$\frac{7}{6}$ ~X
13	1755 50 100 A	Absorber, Shock	4	
●	1755 50 100 B	Absorber, Shock	4	$\frac{7}{3}$ ~○
●	1756 50 100 A	Absorber, Shock (Sedan)	4	$\frac{7}{6}$ ~X
14	1755 50 110 A	Bracket (R), Shock Absorber	1	
●	1756 50 110	Bracket (R), Shock Absorber (Sedan)	1	$\frac{7}{6}$ ~X
	1755 50 130 A	Bracket (L), Shock Absorber	1	
●	1756 50 130	Bracket (L), Shock Absorber (Sedan)	1	$\frac{7}{6}$ ~X
14-1	99922 1000	Nut, Shock Absorber	8	$\frac{7}{1}$ ~ Added Anew
	99953 1000	Washer, Plain	4	$\frac{7}{1}$ ~ Added Anew
15	99940 0802	Nut, Hinge Plate & Shock Absorber	16	
16	1755 50 150 A00	Cover, Front Bumper (GRY)	1	
	1755 50 150 B00	Cover, Front Bumper (GRY)	1	(Sedan) $\frac{7}{3}$ ~○ $\frac{7}{3}$ ~ Discarded
●	1756 50 190 -00	Cover, Front Bumper (Sedan) (2 Point Type) (GRY)	1	$\frac{7}{4}$ ~ Added Anew
17	99869 0414	Screw, Tapping-Cover	8	

BUMPER & GRILLE (SEDAN & WAGON)

(USED UP TO $\frac{7}{9}$)

50

No.	Part Number	Description	Q'ty	Remarks
	99869 0414	Screw, Tapping-Cover	6	$\frac{7}{8}$ ~Q'ty
18	99786 0820	Bolt, Bumper	(Sedan) 8 (Wagon) 12	
	99952 0822	Washer, Plain	(Sedan) 8 (Wagon) 12	
19	99264 0752	Rivet, Cover	7	$\frac{7}{8}$ ~Discarded
20	1755 50 180	Bumper, Outer (Frt.)	1	
	1755 50 180A	Bumper, Outer (Frt.)	1	From Car No. 1
21	99774 0616	Screw, Bumper Outer	4	
	99971 0600	Washer, Spring	4	
	99952 0618	Washer, Plain	4	
22	1755 50 221	Bumper, Outer (Rr.) (Sedan)	1	
	1755 50 221B	Bumper, Outer (Rr.) (Sedan)	1	From Car No. 1
	1791 50 221	Bumper, Outer (Rr.) (Wagon)	1	
	1791 50 221A	Bumper, Outer (Rr.) (Wagon)	1	From Car No. 1
23	1755 50 230	Bumper (C), Rear (Sedan)	1	
	1755 50 230B	Bumper (C), Rear (Sedan)	1	From Car No. 1
	1755 50 230D	Bumper (C), Rear (Sedan)	1	$\frac{7}{8}$ ~X
	1791 50 230	Bumper (C), Rear (Wagon)	1	
	1791 50 230B	Bumper (C), Rear (Wagon)	1	From Car No. 1
● 24	1755 50 250A	Bumper (R), Rear (Sedan)	1	
	1755 50 250B	Bumper (R), Rear (Sedan)	1	From Car No. 1



BUMPER & GRILLE (SEDAN & WAGON)

(USED UP TO $\frac{7}{9}$)

No.	Part Number	Description	Q'ty	Remarks
	1756 50 250	Bumper (R), Rear (Sedan)	1	$\frac{7}{3}$ ~X
24-1	1791 50 250 A	Bumper (R), Rear (Wagon)	1	
	1791 50 250 C	Bumper (R), Rear (Wagon)	1	$\frac{7}{2}$ ~○
● 25	1755 50 260 A	Bumper (R), Rear (Sedan)	1	
	1755 50 260 B	Bumper (L), Rear (Sedan)	1	From Car No. 1
	1756 50 260	Bumper (L), Rear (Sedan)	1	$\frac{7}{3}$ ~X
25-1	1791 50 260 A	Bumper (L), Rear (Wagon)	1	
	1791 50 260 C	Bumper (L), Rear (Wagon)	1	$\frac{7}{2}$ ~○
26	1755 50 271	Bolt, Bumper & Shock Absorber (Rr.)	2	
	1755 50 271 A	Bolt, Bumper & Shock Absorber (Rr.)	2	From Car No. 1
	99945 1000	Nut	2	
	99945 0800	Nut	2	From Car No. 1
	99971 1000	Washer, Spring	2	
	99971 0800	Washer, Spring	2	From Car No. 1
27	0223 50 275	Screw, Bumper Center	4	
	99940 0602	Nut	4	
	99971 0600	Washer, Spring	4	Car No. 1 Discarded
	99952 1000	Washer, Plain	4	
	99953 1000	Washer, Plain	4	

BUMPER & GRILLE (SEDAN & WAGON)

(USED UP TO $\frac{74}{9}$)

50

No.	Part Number	Description	Q'ty	Remarks
28	1755 50 301	Bracket (Rr.), Shock Absorber	2	
	1756 50 300	Bracket (Rr.), Shock Absorber (Sedan)	2	$\frac{74}{9}$ ~ X
29	99794 10259	Bolt, Shock Absorber Bracket (Rr.) (Sedan)	4 6	$\frac{74}{9}$ ~ Q'ty
	99951 1030	Washer, Plain (Sedan)	4 6	$\frac{74}{9}$ ~ Q'ty
	99953 1000	Washer, Spring (Sedan)	4 6	$\frac{74}{9}$ ~ Added Anew $\frac{74}{9}$ ~ Q'ty
29-199940	1002	Nut, Rear Shock Absorber Bracket (Wagon)	4	
30	1755 50 350 - 00	Cover, Rear Bumper (GRY) (Sedan)	1	
	1756 50 350 A00	Cover, Rear Bumper (GRY) (Sedan)	1	$\frac{74}{9}$ ~ X
	1791 50 350 - 00	Cover, Rear Bumper (GRY) (Wagon)	1	
	1791 50 350 A00	Cover, Rear Bumper (GRY) (Wagon)	1	$\frac{74}{9}$ ~ O
31	99869 0414	Screw, Tapping-Cover (Sedan)	9	
32	99796 0414	Screw, Tapping	2	
	99869 0414	Screw, Tapping (Wagon)	2	
	99869 0412	Screw, Tapping	6	
32-1	0187 34 665	Shim, Adjust-Bumper	4	} Selective use
	0187 34 666	Shim, Adjust-Bumper	4	
32-2	1907 50 291	Cover, Service Hole-Rear Bumper	2	$\frac{74}{9}$ ~ Added Anew
32-3	1907 50 292	Gasket, Service Hole Cover (Sedan)	2	$\frac{74}{9}$ ~ Added Anew
32-4	99869 0410	Screw, Service Hole Cover	6	$\frac{74}{9}$ ~ Added Anew
33	0305 50 541	Washer, Radiator Grille	4	

BUMPER & GRILLE (SEDAN & WAGON)

(USED UP TO $\frac{7}{9}$)

No.	Part Number	Description	Q'ty	Remarks
34	0305 50 543	Spacer, Radiator Grille	4	
35	1011 50 701	Cushion, Radiator Grille	4	
36	1011 50 705	Pad, Radiator Grille	2	
37	1011 50 711B	Grille, Radiator	1	
●	1011 50 711B02	Grille, Radiator	1	From Car No. 1
●	1011 50 711B03	Grille, Radiator	1	$\frac{7}{8}$ ~○
38	1011 50 721 B	Ring, Lamp	4	
39	99768 0425 B	Screw, Tapping-Radiator Grille	4	
40	99769 0420 B	Bolt, Radiator Grille	4	
41	99769 0512	Screw, Radiator Grille	4	
	0866 50 501	Nut, Spring-Radiator Grille	4	
42	99896 0400	Nut, Spring-Radiator Grille	8	
43	1011 52 951	Bracket, Radiator Grille	2	
44	1011 52 952	Bracket, Radiator Grille	2	
45	99863 0508	Screw, Tapping-Grille Bracket	8	
	99952 0500	Washer, Plain	8	
● 46	1755 52 810	Bracket (R), Rear Bumper	1	} (Sedan) } $\frac{7}{3}$ ~Discarded
●	1755 52 840	Bracket (L), Rear Bumper	1	
● 47	99796 1020	Bolt, Rear Bumper Bracket	4	
● 48	99906 1000	Nut, Rear Bumper Bracket	2	
●	99921 1000	Nut, Rear Bumper Bracket	2	
●	99951 1030	Washer, Plain	2	
				From Car No. 1

BUMPER & GRILLE (SEDAN & WAGON)

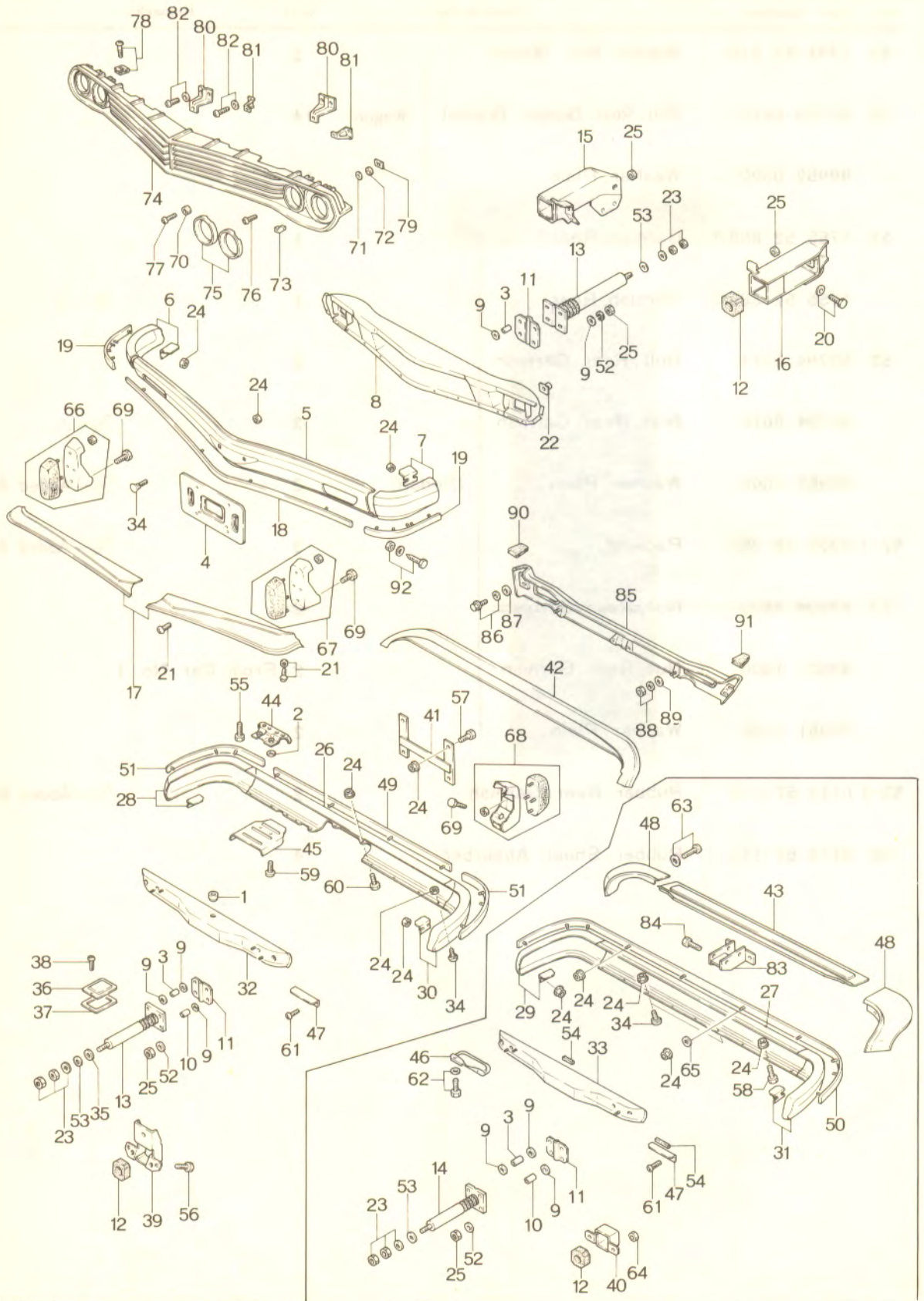
(USED UP TO $\frac{74}{9}$)

50

No.	Part Number	Description	Q'ty	Remarks
49	1791 52 810	Bracket, Rear Bumper	2	
50	99796 0810	Bolt, Rear Bumper Bracket	14	(Wagon)
	99952 0822	Washer, Plain		
51	1755 52 860 A	Garnish, Rear	1	
	1755 52 860 C	Garnish, Rear	1	$\frac{74}{3} \sim \times$
52	99794 0614	Bolt, Rear Garnish	3	
	99794 0616	Bolt, Rear Garnish	3	$\frac{74}{12} \sim \Delta$
	99952 0600	Washer, Plain	3	(Sedan) $\frac{74}{12} \sim$ Added Anew
52-1	0305 68 951	Packing	3	$\frac{74}{12} \sim$ Added Anew
53	99906 1000	Nut, Rear Garnish	2	
	99921 1000	Nut, Rear Garnish	2	From Car No. 1
	99951 1030	Washer, Plain	2	
53-1	0111 57 111	Rubber, Rear Garnish	2	$\frac{74}{12} \sim$ Added Anew
54	0111 57 111	Rubber, Shock Absorber	4	

BUMPER & GRILLE

(SEDAN & WAGON USED FROM $\frac{74}{10}$)
 (HARDTOP USED FROM $\frac{74}{11}$)



BUMPER & GRILLE

(SEDAN & WAGON USED FROM $\frac{7}{10}$)
 (HARDTOP USED FROM $\frac{7}{11}$)



No.	Part Number	Description	Q'ty	Remarks
1	2850 13 266	Protector, License Lamp Cord (Sedan & Hardtop)	1	
2	0824 40 401	Insulator, Diffuser Deflector (Sedan & Hardtop)	2	
3	2909 41 692	Boss, Shock Absorber (Front...4, Rear...2)	6	
4	3565 50 015	Holder, License Plate	1	
5	3565 50 031 A	Face (C), Front Bumper	1	
6	3565 50 910	Face (R), Front Bumper	1	
7	3565 50 920	Face (L), Front Bumper	1	
8	3565 50 040 C	Reinforcement, Front Bumper	1	
9	3565 50 071 A	Rubber, Hinge-Shock Absorber (Front...8, Rear...6)	14	
10	3565 50 072	Spacer, Shock Absorber Rear	2	
11	3565 50 080 A	Plate, Hinge-Shock Absorber	4	
12	1756 50 091	Rubber, Mounting-Shock Absorber	4	
13	3565 50 100	Absorber, Shock (Sedan & Hardtop) (Wagon)	4 2	
14	3571 50 100 A	Absorber, Shock-Rear (Wagon)	2	
15	3565 50 110 A	Bracket (R), Front Shock Absorber	1	
16	3565 50 130 A	Bracket (L), Front Shock Absorber	1	
17	3565 50 190	Cover, Front Bumper	1	
18	3565 50 170 C	Protector (C), Front Bumper	1	
19	3565 50 180 C	Protector, Front Bumper Side	2	
20	99786 0820	Bolt, Front Shock Absorber	6	

BUMPER & GRILLE
 (SEDAN & WAGON USED FROM $\frac{74}{10}$)
 (HARDTOP USED FROM $\frac{74}{11}$)

No.	Part Number	Description	Q'ty	Remarks
	99952 0822	Washer, Plain	6	
21	99865 0512	Screw, Front Bumper Cover	6	
	99865 0512	Screw, Rear Bumper Cover (Sedan & Hardtop)	7	
	99952 0516	Washer, Plain-Front Bumper Cover	2	
22	99910 0601	Grommet, Screw-Front Bumper	4	
23	99922 1000	Nut, Shock Absorber	8	
	99953 1000	Washer, Plain	4	
24	99940 0602	Nut, Front Bumper Face+Reinforcement	11	
	99940 0602	Nut, Rear Bumper Face+Reinforcement (Sedan & Hardtop)	11	
		(Wagon)	13	
	99940 0602	Nut, Front Bumper Face+Protector	18	
	99940 0602	Nut, Rear Bumper Face+Protector (Sedan & Hardtop)	11	
		(Wagon)	12	
	99940 0602	Nut, Rear License Holder (Sedan & Hardtop)	2	
25	99940 0802	Nut, Shock Absorber	8	
	99940 0802	Nut, Front Shock Absorber Bracket	2	
26	3565 50 221 A	Face (C), Rear Bumper (Sedan & Hardtop)	1	
27	3571 50 221 B	Face (C), Rear Bumper (Wagon)	1	
28	3565 50 930	Face (R), Rear Bumper (Sedan & Hardtop)	1	
29	3571 50 930	Face (R), Rear Bumper (Wagon)	1	
30	3565 50 940	Face (L), Rear Bumper (Sedan & Hardtop)	1	
31	3571 50 940	Face (L), Rear Bumper (Wagon)	1	

BUMPER & GRILLE

(SEDAN & WAGON USED FROM $\frac{74}{10}$)
 (HARDTOP USED FROM $\frac{74}{11}$)



No.	Part Number	Description	Q'ty	Remarks
32	3565 50 230 B	Reinforcement, Rear Bumper (Sedan & Hardtop)	1	
33	3571 50 230 C	Reinforcement, Rear Bumper (Wagon)	1	
34	0223 50 275	Screw, Front Bumper Face+Reinforcement	11	
	0223 50 275	Screw, Rear Bumper Face+Reinforcement	(Sedan & Hardtop) 9 (Wagon) 10	
35	1756 50 281	Rubber, Rear Shock Absorber (Sedan)	2	
36	1907 50 291	Cover, Service Hole-Rear Bumper	} (Sedan & Hardtop)	2
37	1907 50 292	Gasket, Service Hole Cover		2
38	99869 0410	Screw, Service Hole Cover		6
39	3565 50 300 A	Bracket, Rear Shock Absorber (Sedan & Hardtop)	2	
40	3571 50 301	Bracket, Rear Shock Absorber (Wagon)	2	
41	3565 50 340	Holder, Rear License Plate (Sedan & Hardtop)	1	
42	3565 50 350 B	Cover, Rear Bumper (Hardtop)	1	
	3561 50 350 B	Cover, Rear Bumper (Sedan)	1	
43	3571 50 351 A	Cover (C), Rear Bumper (Wagon)	1	
44	3565 50 360 A	Deflector, Rear Bumper (Sedan & Hardtop)	1	
45	3565 50 363 A	Deflector, Diffuser (Sedan & Hardtop)	1	
46	3571 50 363	Deflector, Diffuser (Wagon)	1	
47	3565 50 365 A	Bracket, Rear Bumper Cover	2	
48	3571 50 370	Cover, Rear Bumper (Wagon)	2	

BUMPER & GRILLE
 (SEDAN & WAGON USED FROM 74¹⁰)
 (HARDTOP USED FROM 74¹¹)

No.	Part Number	Description	Q'ty	Remarks
49	3565 50 380B	Protector (C), Rear Bumper (Sedan & Hardtop)	1	
	3565 50 381	Protector (C), Rear Bumper (Sedan & Hardtop)	1	
50	3571 50 380	Protector, Rear Bumper (Wagon)	1	
51	3565 50 390C	Protector, Rear Bumper Side (Sedan & Hardtop)	2	
52	0317 57 015	Washer, Shock Absorber Bracket	8	
53	0111 57 111	Rubber, Shock Absorber	4	
54	0187 70 279	Rubber, Set-Bumper Face+Reinforcement (Wagon)	5	
55	99784 0816	Bolt, Deflector	2	} (Sedan & Hardtop)
	99952 0822	Washer, Plain	2	
56	99794 10259	Bolt, Rear Shock Absorber Bracket (Sedan & Hardtop)	4	
	99951 1030	Washer, Plain	4	
57	99774 0612	Bolt, Rear License Plate Holder (Sedan & Hardtop)	2	
58	99774 0616	Bolt, Rear Bumper Face+Reinforcement(Wagon)	3	
59	99740 0520	Screw, Deflector (Sedan & Hardtop)	2	
60	99786 06129	Bolt, Rear Bumper Face+Reinforcement(Sedan & Hardtop)	4	
61	99869 0512	Screw, Rear Bumper Cover Bracket	4	
62	99786 0820	Bolt, Deflector	2	} (Wagon)
	99952 0822	Washer, Plain	2	
63	99869 0412	Screw, Rear Bumper Cover (Wagon)	13	

BUMPER & GRILLE

(SEDAN & WAGON USED FROM $\frac{7}{10}$)
 (HARDTOP USED FROM $\frac{7}{11}$)

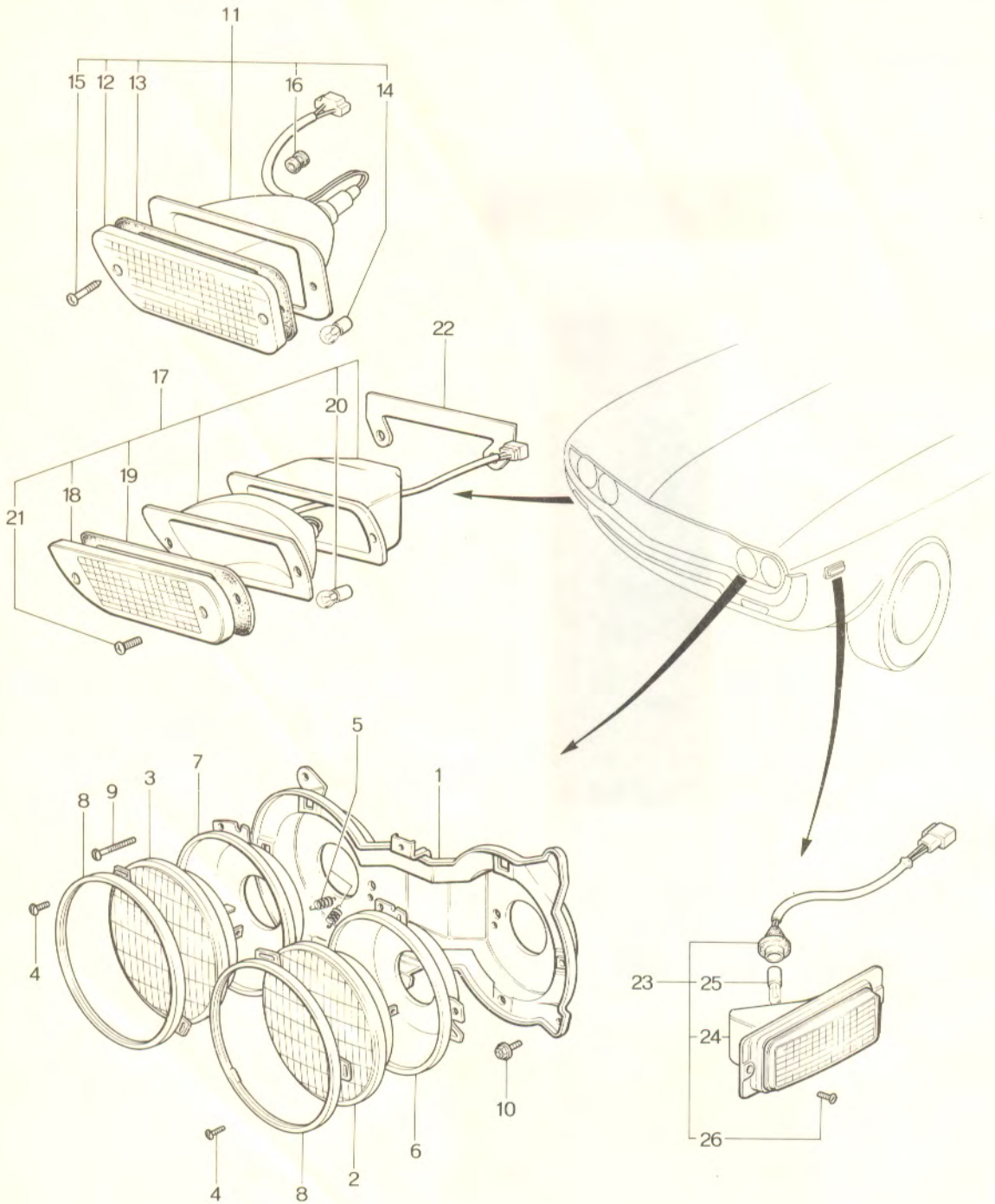


No.	Part Number	Description	Q'ty	Remarks
	99952 0412	Washer, Plain	6	
			(Wagon)	
64	99940 1001	Nut, Rear Absorber Bracket	4	
65	99952 1000	Washer, Plain-Rear Bumper Face (Wagon)	4	
66	3567 99 801A	Guard Set (R), Front Bumper	1	
67	3567 99 802A	Guard Set (L), Front Bumper	1	
68	3565 99 806A	Guard Set, Rear Bumper (Sedan & Hardtop)	2	
69	99784 0616	Bolt, Bumper Guard	(Sedan & Hardtop) 4 (Wagon) 2	
70	0305 50 541	Washer, Radiator Grille	4	
71	0305 50 543	Spacer, Radiator Grille	4	
72	1011 50 701	Cushion, Radiator Grille	4	
73	1011 50 705	Pad, Radiator Grille	2	
74	1011 50 711B04	Grille, Radiator (SILV. M)	1	
75	1011 50 721B	Ring, Lamp	4	
76	99768 0425B	Screw, Tapping-Radiator Grille	4	
77	99769 0420B	Screw, Radiator Grille	4	
78	99769 0512	Screw, Radiator Grille	4	
	0866 50 501	Nut, Spring-Radiator Grille	4	
79	99896 0400	Nut, Spring-Radiator Grille	8	
80	1011 52 951	Bracket, Radiator Grille	2	
81	1011 52 952	Bracket, Radiator Grille	2	

BUMPER & GRILLE(SEDAN & WAGON USED FROM $\frac{7}{10}$)
(HARDTOP USED FROM $\frac{7}{11}$)

No.	Part Number	Description	Q'ty	Remarks
82	99865 0510	Screw, Tapping-Grille Bracket	8	
83	1791 52 810	Bracket, Rear Bumper	2	
84	99796 0816	Bolt, Rear Bumper Bracket	14	} (Wagon)
	99952 0822	Washer, Plain	14	
85	1755 52 860C	Garnish, Rear (Sedan)	1	
	3565 52 860A	Garnish, Rear (Hardtop)	1	
86	99794 0616	Bolt, Rear Garnish	3	} (Sedan & Hardtop)
	99952 0600	Washer, Plain	3	
87	0305 68 951	Packing	3	
88	99921 1000	Nut, Rear Garnish	2	
	99951 1030	Washer, Plain	2	
89	0111 57 111	Rubber, Rear Garnish	2	
90	1755 52 951	Protector (R) (Sedan)	1	
	3565 52 951A	Protector (R) (Hardtop)	1	
91	1755 52 956	Protector (L) (Sedan)	1	
	3565 52 956A	Protector (L) (Hardtop)	1	
92	3570 50 191	Screw	1	} $\frac{7}{10}$ ~ Discarded
	99926 1000	Nut	1	
	99952 1030	Washer, Plain	1	





LAMPS (FRONT SIDE)

51

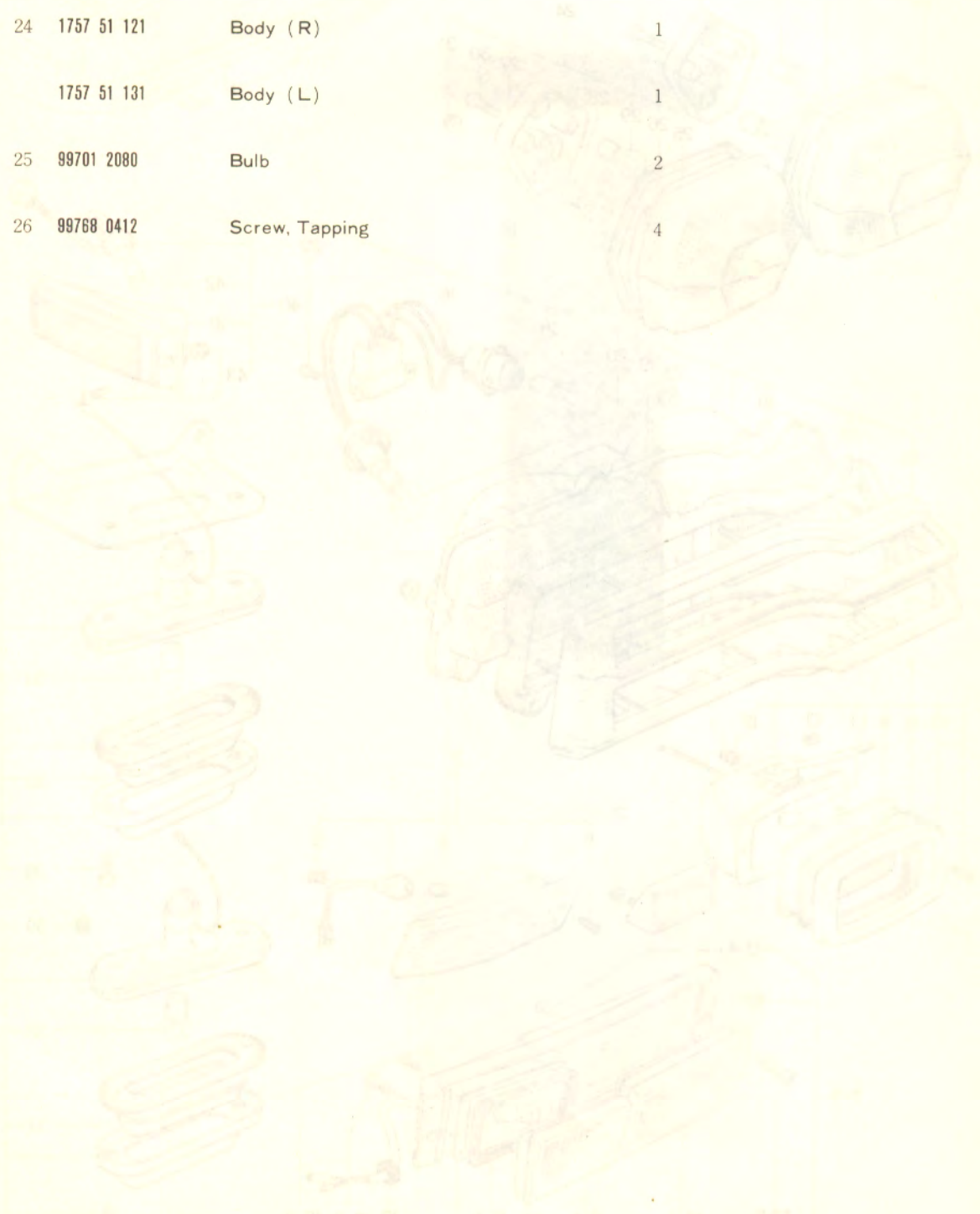
89

No.	Part Number	Description	Q'ty	Remarks
1	1011 51 031A	Housing (R)	1	
	1011 51 041A	Housing (L)	1	
● 2	1688 66 032	Beam, Sealed ("Plus 25" Lower & Upper Beam, 12V, 60 / 37.5W)	2	
● 3	1688 66 031	Beam, Sealed (Upper Beam 12V, 37.5W)	2	
4	0275 87 007	Screw	12	
5	2850 87 012	Spring	4	
6	0727 87 012	Holder Type 2 (R)	1	
	0727 87 022	Holder Type 2 (L)	1	
7	0727 87 013	Holder Type 1 (R)	1	
	0727 87 023	Holder Type 1 (L)	1	
8	0727 87 014	Holder	4	
9	0727 87 016	Screw, Adjust	8	
10	99786 0612B	Screw, Head Lamp	8	
	99952 0618	Washer, Plain	8	
11	1755 89 662	Lamp Set (R), Combination-Front	1	
●	3565 89 662	Lamp Set (R), Combination-Front	1	} (Sedan & Wagon) $\frac{3}{16}$ "~X
	1755 89 667	Lamp Set (L), Combination-Front	1	
●	3565 89 667	Lamp Set (L), Combination-Front	1	$\frac{3}{16}$ "~X

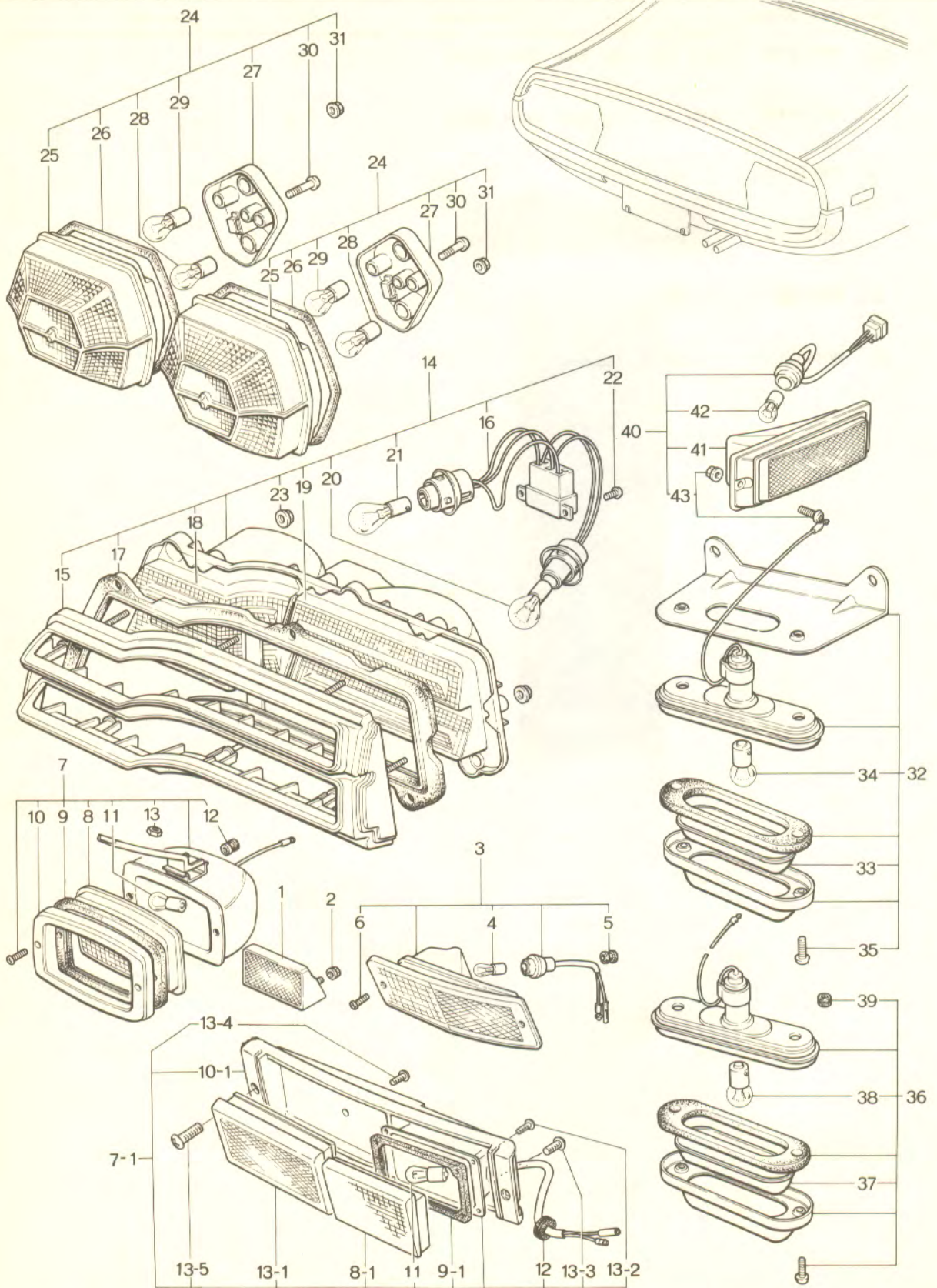
LAMPS (FRONT SIDE)

No.	Part Number	Description	Q'ty	Remarks
12	1755 51 061	Lens (R)	1	
	1755 51 071	Lens (L)	1	
13	1755 51 063	Gasket (R)	1	
	1755 51 073	Gasket (L)	1	
14	99701 4278	Bulb	(Sedan & 2	
15	99835 0625C	Screw	Wagon) 4	
●	99768 0630	Screw	4	$\frac{7}{11}$ ~×
16	0866 67 152	Protector, Cord-Front Combination Lamp	4	
17	1757 89 662	Lamp Set (R), Combination-Front	1	
●	3565 89 662	Lamp Set (R), Combination-Front	1	$\frac{7}{11}$ ~×
	1757 89 667	Lamp Set (L), Combination-Front	1	
●	3565 89 667	Lamp Set (L), Combination-Front	1	$\frac{7}{11}$ ~×
18	0866 66 112	Lens (R)	1	
●	1755 51 061	Lens (R)	1	$\frac{7}{11}$ ~×
	0866 66 142	Lens (L)	1	
●	1755 51 071	Lens (L)	1	$\frac{7}{11}$ ~×
19	0866 66 113	Gasket (R)	1	
●	1755 51 063	Gasket (R)	(Hardtop) 1	$\frac{7}{11}$ ~×
	0866 66 143	Gasket (L)	1	
●	1755 51 073	Gasket (L)	1	$\frac{7}{11}$ ~×
20	99701 4278	Bulb	2	
21	99835 0625C	Screw	4	
●	99786 0630	Screw	4	$\frac{7}{11}$ ~×
●	22 1011 51 081	Spacer, Front Combination Lamp	2	$\frac{7}{10}$ ~ Discarded
●	0866 67 152	Protector, Cord-Front Combination Lamp	2	$\frac{7}{11}$ ~ Added Anew

No.	Part Number	Description	Q'ty	Remarks
23	1757 89 663	Lamp Set (R), Side Turn Signal	1	
	1757 89 668	Lamp Set (L), Side Turn Signal	1	
24	1757 51 121	Body (R)	1	
	1757 51 131	Body (L)	1	
25	99701 2080	Bulb	2	
26	99768 0412	Screw, Tapping	4	



LAMPS (REAR SIDE, SEDAN & HARDTOP)



LAMPS (REAR SIDE, SEDAN & HARDTOP)

51

89

No.	Part Number	Description	Q'ty	Remarks
● 1	1757 51 580	Reflector (R), Reflex - Rear	} (Hardtop) 2 4	7/10 ~ Discarded
● 2	99940 0502	Nut, Reflector		
3	1755 89 654	Lamp Set (R), Back Up	} (Sedan) 1 1	
	1755 89 659	Lamp Set (L), Back Up		
4	99700 8120	Bulb	2	
5	99684 0600	Protector	2	
●	0111 41 692	Protector	2	7/10 ~ △
6	99778 0520	Screw	2	
7	2435 89 654	Lamp Set, Back Up	2	
● 7-1	3565 89 654	Lamp Set (R), Back Up	1	7/11 ~ ×
●	3565 89 659	Lamp Set (L), Back Up	1	7/11 ~ ×
8	2435 66 335	Lens	2	
● 8-1	3565 51 244	Lens (R)	1	7/11 ~ ×
●	3565 51 254	Lens (L)	1	7/11 ~ ×
9	2435 66 337	Gasket	2	
● 9-1	3565 51 246	Gasket	2	7/11 ~ ×
10	2435 66 338	Rim	2	
● 10-1	3565 51 241	Rim (R)	1	7/11 ~ ×
●	3565 51 251	Rim (L)	1	7/11 ~ ×
11	99700 8120	Bulb	2	
12	99684 0600	Protector	2	
●	0866 67 156	Protector	2	7/10 ~ △
●	0111 41 692	Protector	2	7/11 ~ ×
13	99940 0800	Nut	2	
● 13-1	3565 51 242	Reflector (R), Reflex	1	
●	3565 51 252	Reflector (L), Reflex	1	
● 13-2	99833 0408	Screw	4	
● 13-3	99833 0412	Screw	2	7/11 ~ Added Anew
● 13-4	99863 0410	Screw	2	
● 13-5	99778 0520	Screw	4	
14	1755 89 664	Lamp Set (R), Rear Combination	} (Sedan) 1 1	
	1755 89 669	Lamp Set (L), Rear Combination		
15	1004 51 151A	Rim (R)	1	

LAMPS (REAR SIDE, SEDAN & HARDTOP)

No.	Part Number	Description	Q'ty	Remarks
	1004 51 181A	Rim (L)	1	
16	1725 51 153	Socket	2	
17	1004 51 155	Gasket (R)	1	
	1004 51 165	Gasket (L)	1	
18	1004 51 158A	Lens (R) (Sedan)	1	
	1004 51 168A	Lens (L)	1	
19	1004 51 159A	Lens (R)	1	
	1004 51 169A	Lens (L)	1	
20	99701 3270	Bulb	2	
21	99701 4278	Bulb	2	
22	99868 0412	Screw	2	
23	99840 0501	Nut	16	
24	1757 89 664	Lamp Set, Rear Combination	4	
25	1011 51 151	Body	4	
26	1011 51 152	Seal Rubber	4	
27	1011 51 174A	Socket	4	
28	99701 3270	Bulb (Hardtop)	4	
29	99701 4278	Bulb	4	
30	99868 0430	Screw	2	

LAMPS (REAR SIDE, SEDAN & HARDTOP)

51

89

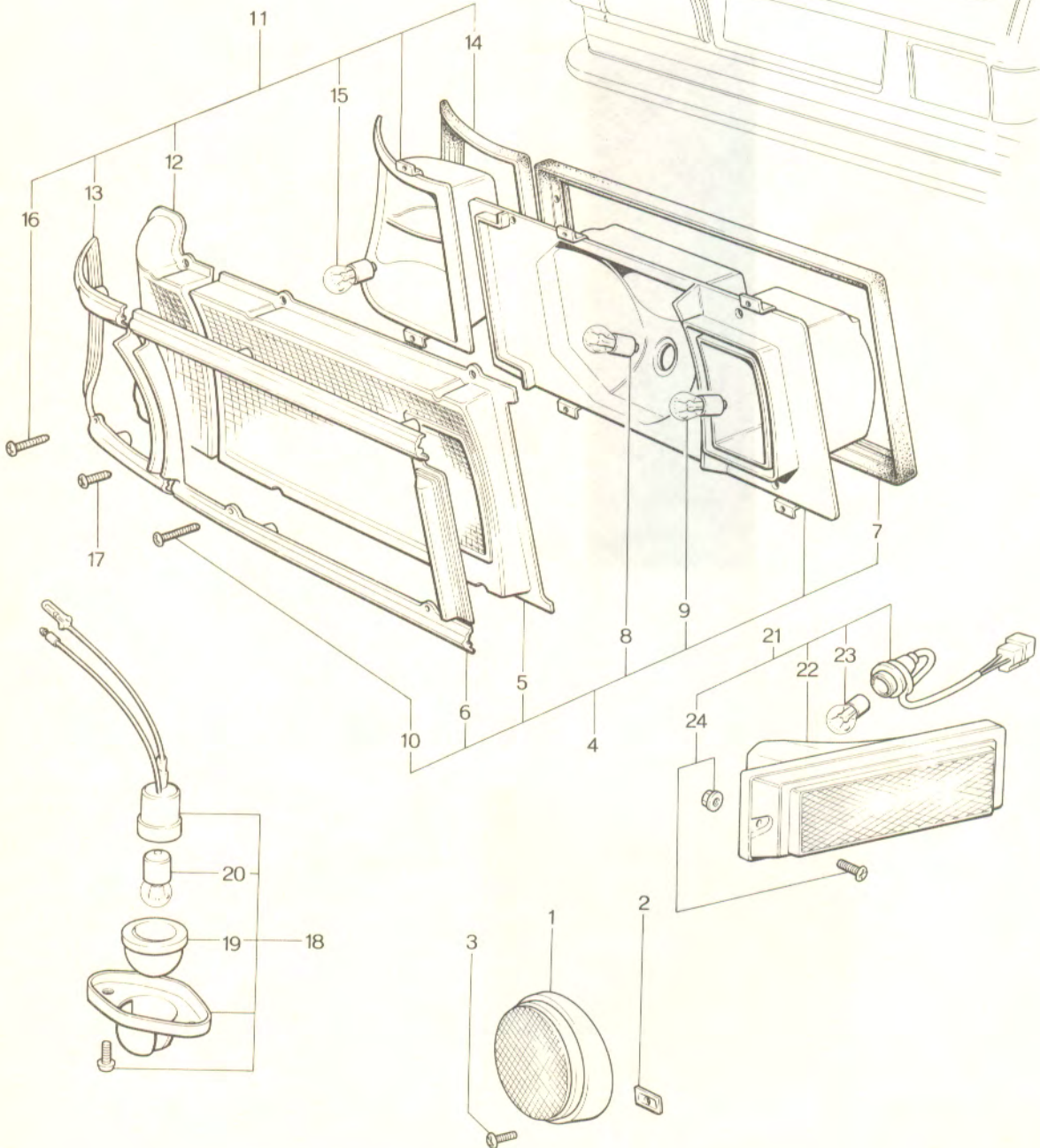
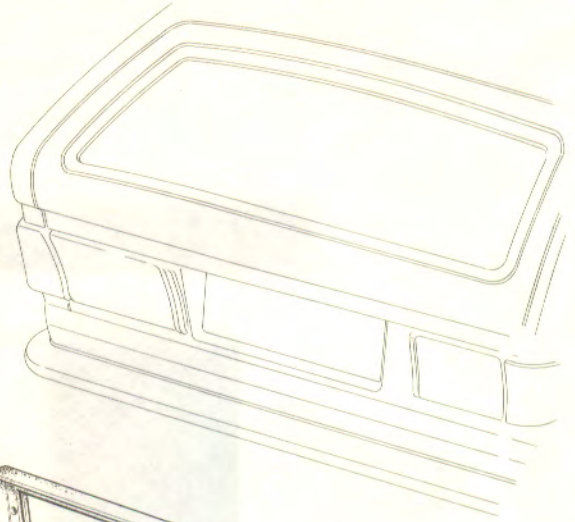
No.	Part Number	Description	Q'ty	Remarks
	99868 0440	Screw	2	
31	99940 0500	Nut	16	
32	1011 89 665	Lamp Set, Licence	1	
●	1755 89 665	Lamp Set, Licence	1	$\frac{7}{11}$ ~X
33	0866 66 372	Lens	1	
		(Hardtop)		
34	99701 2070	Bulb	1	
35	99786 0612	Screw	2	$\frac{7}{10}$ ~Discarded
●	99684 0600	Protector	1	$\frac{7}{11}$ ~Added Anew
36	1755 89 665	Lamp Set, Licence	1	
37	0866 66 372	Lens	1	
		(Sedan)		
38	99701 2070	Bulb	1	
39	99684 0600	Protector	1	
40	1755 89 673	Lamp Set (R), Side Marker	1	
		(Sedan)		
	1755 89 678	Lamp Set (L), Side Marker	1	
	1757 89 673	Lamp Set (R), Side Marker	1	
		(Hardtop)		
	1757 89 678	Lamp Set (L), Side Marker	1	
41	1755 51 551	Body (R)	1	
		(Sedan)		
	1755 51 561	Body (L)	1	
	1757 51 551	Body (R) (Hardtop)	1	

LAMPS (REAR SIDE, SEDAN & HARDTOP)

No.	Part Number	Description	Q'ty	Remarks
	1757 51 561	Body (L) (Hardtop)	1	
42	99701 2080	Bulb	2	
43	99773 0416	Screw	4	
	99940 0400	Nut	4	



LAMPS (REAR SIDE, WAGON)



LAMPS (REAR SIDE, WAGON)

51

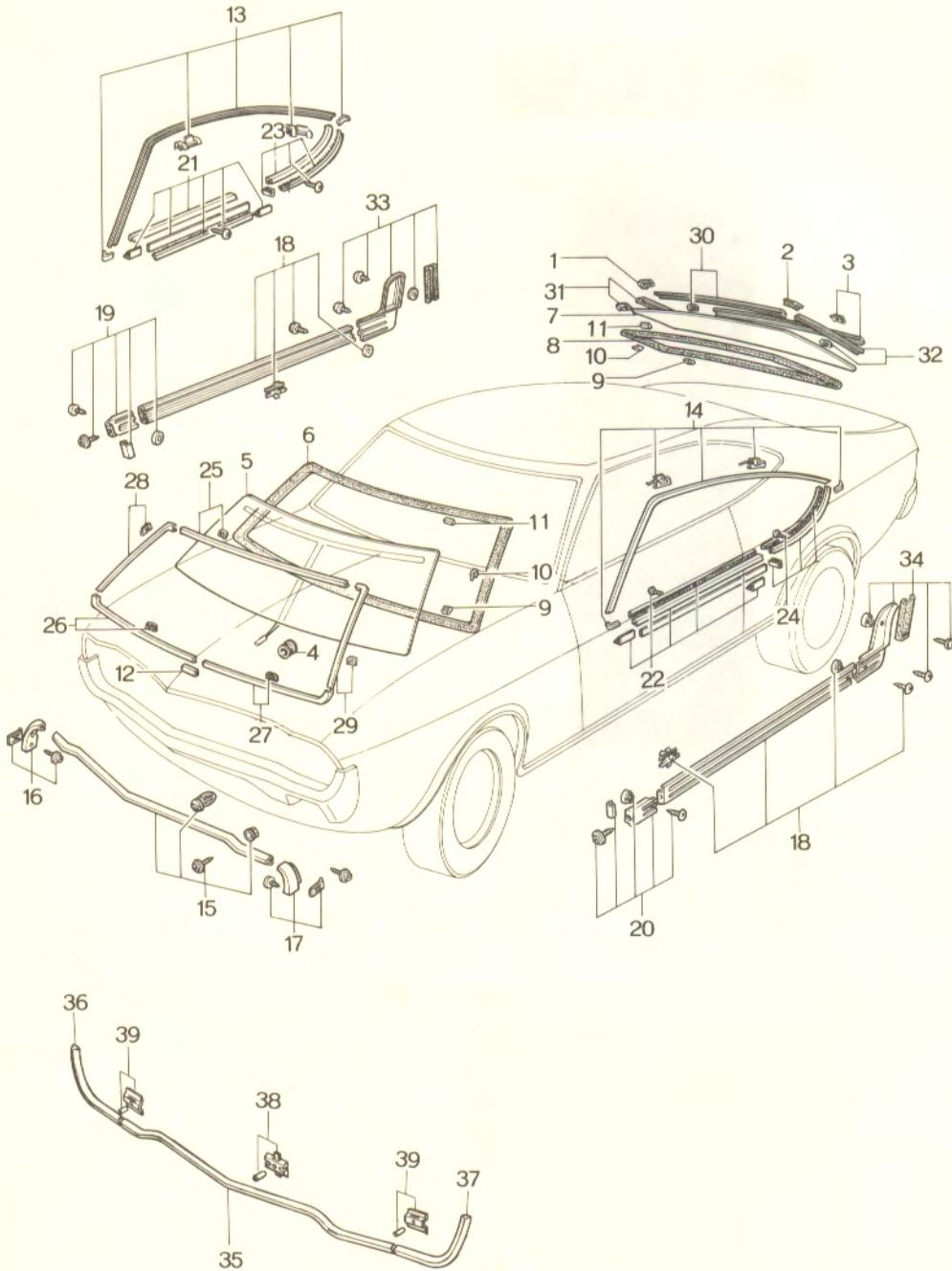
89

No.	Part Number	Description	Q'ty	Remarks
1	1029 51 580	Reflector (R), Reflex-Rear	1	
	1029 51 590	Reflector (R), Reflex-Rear	1	
2	0187 89 049A	Nut, Speed	2	
3	99788 0412	Screw, Reflex Reflector	2	
●	99789 0414	Screw, Reflex Reflector	2	From Car No. 1
4	1791 89 664	Lamp Set (R), Rear Combination No. 1	1	
	1791 89 669	Lamp Set (L), Rear Combination No. 1	1	
5	1029 51 161A	Lens (R)	1	
	1029 51 171A	Lens (L)	1	
6	1029 51 163	Rim (R)	1	
	1029 51 173	Rim (L)	1	
7	1029 51 164	Gasket (R)	1	
	1029 51 174	Gasket (L)	1	
8	99701 3270	Bulb	2	
9	99701 4278	Bulb	2	
10	99868 0408	Screw, Tapping	12	
11	1791 89 674	Lamp Set (R), Rear Combination No. 2	1	
	1791 89 679	Lamp Set (L), Rear Combination No. 2	1	
12	1029 51 181	Lens (R)	1	
●	1791 51 181	Lens (R)	1	From Car No. 1
●	1791 51 181A	Lens (R)	1	3/4~O

LAMPS (REAR SIDE, WAGON)

No.	Part Number	Description	Q'ty	Remarks
	1029 51 181	Lens (L)	1	
●	1791 51 191	Lens (L)	1	From Car No. 1
●	1791 51 191A	Lens (L)	1	$\frac{7}{8}$ "~○
13	1029 51 183	Rim (R)	1	
	1029 51 193	Rim (L)	1	
14	1029 51 184	Gasket (R)	1	
●	1029 51 184A	Gasket (R)	1	$\frac{7}{8}$ "~○
	1029 51 194	Gasket (L)	1	
●	1029 51 194A	Gasket (L)	1	$\frac{7}{8}$ "~○
15	99701 3270	Bulb	2	
16	99868 0408	Screw, Tapping	10	
17	99743 0525B	Screw	12	
●	1029 51 141A	Washer	12	
●	1029 51 141B	Washer	12	$\frac{7}{8}$ "~○
18	1029 89 665	Lamp Set, Licence	2	
19	1029 51 273	Lens	2	
20	99701 2080	Bulb	2	
21	1755 89 673	Lamp Set (R), Side Marker	1	
	1755 89 678	Lamp Set (L), Side Marker	1	
22	1755 51 551	Body (R)	1	
	1755 51 561	Body (L)	1	
23	99701 2080	Bulb	2	
24	99773 0416	Screw	4	
	99940 0400	Nut	4	





WINDOW GLASS & MOULDING

(HARDTOP)

63

99

No.	Part Number	Description	Q'ty	Remarks
1	1011 50 515	Joint (R), Mould-Rear Window Mould	1	
2	1011 50 516	Joint (L), Mould-Rear Window Mould	1	
3	1011 50 690A	Mould, Lower-Rear Window	1	
4	0259 52 301	Grommet, Concealed Antenna Cord use	1	
5	1754 63 901	Glass, Windshield (Blue Pane, With Concealed Antenna)	1	
6	1011 63 902	Dam, Front Windshield Glass	1	
7	1009 63 931A	Glass, Rear Window (Blue Pane)	1	
	1011 63 931A	Glass, Rear Window (Blue Pane, With Heating Wire)		
	1175 63 931A	Glass, Rear Window (Blue Pane, With Heating Wire)	1	From Car No. 1
●	1175 63 931B	Glass, Rear Window (Blue Pane, With Heating Wire)	1	$\frac{7}{8}$ ~○
8	0305 70 443B	Dam, Rear Window Glass	1	
9	0305 70 447B	Spacer "A", Front... 3, Rear... 3	6	
10	0305 70 448A	Spacer "B", Front... 2, Rear... 2	4	
11	0839 70 449	Spacer "C", Front... 2, Rear Selective use	4	
12	0866 70 454	Joint, Mould-Front Window Mould	1	
13	1011 99 702A	Mould Set (R), Drip	1	
14	1011 99 707	Mould Set (L), Drip	1	
15	1011 99 711A	Mould Set (C), Front	1	
16	1011 99 712	Mould Set (R), Front	1	
●	1011 99 712A	Mould Set (R), Front	1	$\frac{7}{8}$ ~△
17	1011 99 713	Mould Set (L), Front	1	
●	1011 99 713A	Mould Set (L), Front	1	$\frac{7}{8}$ ~△
18	1011 99 720A	Mould Set, Step	2	
19	1011 99 721	Mould Set (Frt., R), Step	1	

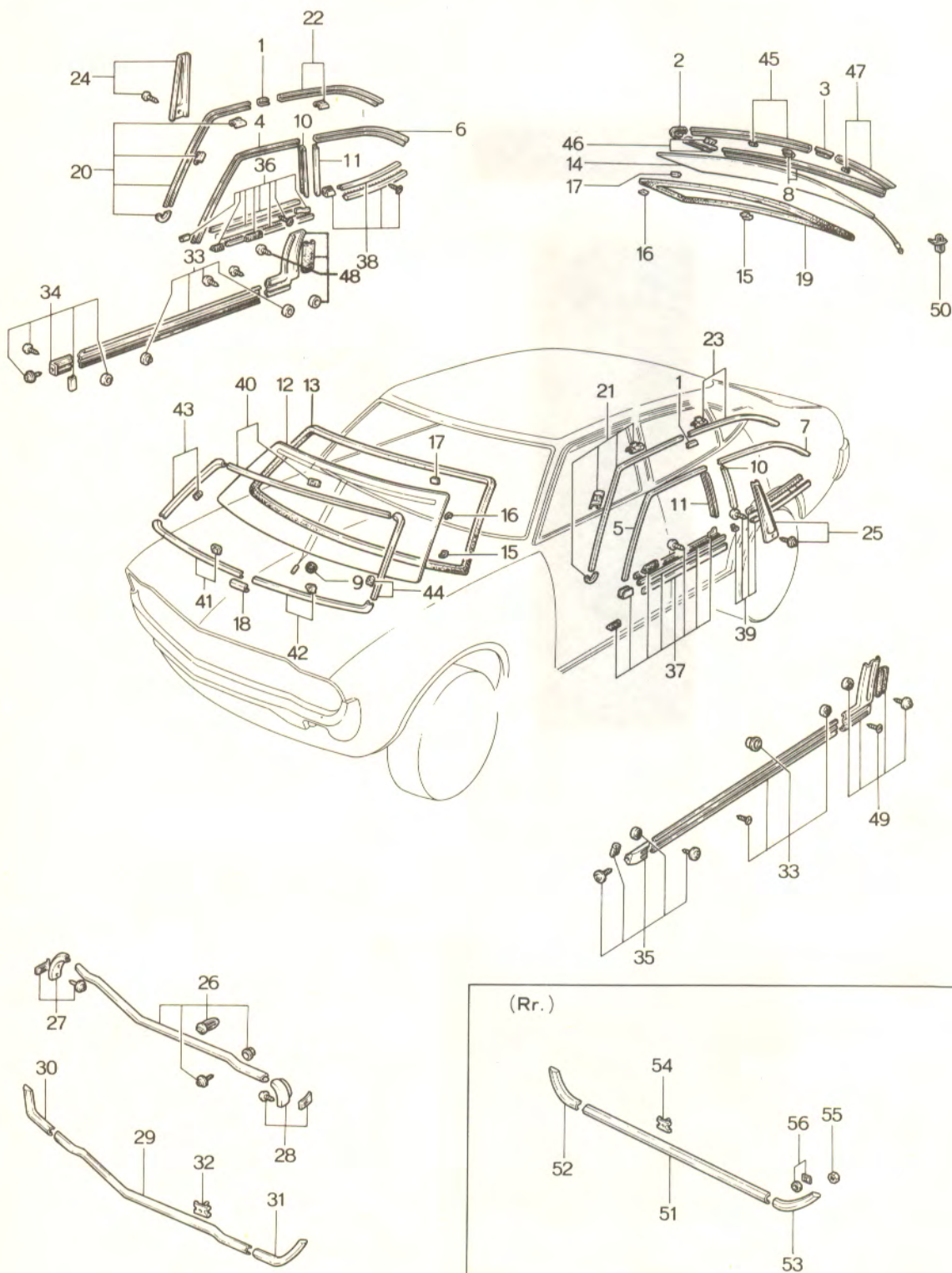
No.	Part Number	Description	Q'ty	Remarks
20	1011 99 726	Mould Set (Frt., L), Step	1	
21	1011 99 732	Mould Set (Frt., R), Beltline	1	
22	1011 99 737	Mould Set (Frt., L), Beltline	1	
23	1011 99 733	Mould Set (Rr., R), Beltline	1	
24	1011 99 738	Mould Set (Rr., L), Beltline	1	
25	1011 99 741	Mould Set, Upper-Front Window	1	
26	1011 99 742	Mould Set (R), Lower-Front Window	1	
27	1011 99 745	Mould Set (L), Lower-Front Window	1	
28	1011 99 743	Mould Set (R), Front Window	1	
29	1011 99 744	Mould Set (L), Front Window	1	
30	1011 99 746	Mould Set, Upper-Rear Window	1	
31	1011 99 748	Mould Set (R), Rear Window	1	
32	1011 99 749	Mould Set (L), Rear Window	1	
33	1011 99 760A	Guard Set (R), Stone	1	
34	1011 99 765A	Guard Set (L), Stone	1	
● 35	1755 50 541	Mould (C), Front Skirt	1	} $\frac{3}{11}$ ~ Added Anew
● 36	1755 50 542	Mould (R), Front Skirt	1	
● 37	1755 50 543	Mould (L), Front Skirt	1	
● 38	1755 50 545	Fastener, Front Skirt Mould	10	
● 39	1755 50 546	Fastener, Front Skirt Mould	2	

WINDOW GLASS & MOULDING

(SEDAN)



WINDOW GLASS & MOULDING (SEDAN)



WINDOW GLASS & MOULDING

(SEDAN)

63

99

No.	Part Number	Description	Q'ty	Remarks
1	1004 50 443	Joint, Mould-Drip Mould	2	
2	1004 50 515	Joint (R), Mould-Rear Window Mould	1	
3	1004 50 516	Joint (L), Mould-Rear Window Mould	1	
4	1004 50 521	Mould (Frt., R), Door Sash	1	
5	1004 50 525	Mould (Frt., L), Door Sash	1	
6	1004 50 531	Mould (Rr., R), Door Sash	1	
7	1004 50 535	Mould (Rr., L), Door Sash	1	
8	1004 50 690A	Mould, Lower-Rear Window	1	
9	0259 52 301	Grommet, Concealed Antenna Cord use	1	
10	0866 58 842A	Mould, Door Sash	2	
11	0866 59 842A	Mould, Door Sash	2	
12	1741 63 901	Glass, Windshield-Front (Blue Pane, With Concealed Antenna)	1	
13	1011 63 902	Dam, Front Windshield Glass	1	
14	1002 63 931A	Glass, Rear Window (Blue Pane)	1	
	1004 63 931A	Glass, Rear Window (Blue Pane, With Heating Wire)	1	
	1157 63 931A	Glass, Rear Window (Blue Pane, With Heating Wire)	1	
	1157 63 931B	Glass, Rear Window (Blue Pane, With Heating Wire)	1	
15	0305 70 447B	Spacer "A", Front...3, Rear... 3	6	$\frac{7}{10} \sim \times$ $\frac{7}{16} \sim \circ$
16	0305 70 448A	Spacer "B", Front...2, Rear... 2	4	
17	0839 70 449	Spacer "C", Front...2, Rear... 2	4	
18	0866 70 454	Joint, Mould-Front Window Mould Lower	1	
19	0866 70 473	Dam, Rear Window Glass	1	

No.	Part Number	Description	Q'ty	Remarks
20	1004 99 702	Mould Set (Frt., R), Drip	1	
21	1004 99 707	Mould Set (Frt., L), Drip	1	
22	1004 99 703	Mould Set (Rr., R), Drip	1	
23	1004 99 708	Mould Set (Rr., L), Drip	1	
24	1004 99 704A	Garnish (R), Center Pillar	1	
25	1004 99 709A	Garnish (L), Center Pillar	1	
26	1011 99 711A	Mould Set (C), Front	1	
27	1011 99 712	Mould Set (R), Front	1	
●	1011 99 712A	Mould Set (R), Front	1	7/6~△
28	1011 99 713	Mould Set (L), Front	1	
●	1011 99 713A	Mould Set (L), Front	1	7/6~△
29	1755 50 541	Mould (C), Front Skirt	1	
30	1755 50 542	Mould (R), Front Skirt	1	
●	1755 50 460	Mould (R), Front Skirt	1	7/6~○
31	1755 50 543	Mould (L), Front Skirt	1	
●	1755 50 470	Mould (L), Front Skirt	1	7/6~○
32	1755 50 545	Fastener	10	
33	1011 99 720A	Mould Set, Step	2	
34	1011 99 721	Mould Set (Frt., R), Step	1	
35	1011 99 726	Mould Set (Frt., L), Step	1	
36	1004 99 732B	Mould Set (Frt., R), Beltline	1	
37	1004 99 737A	Mould Set (Frt., L), Beltline	1	
38	1004 99 733A	Mould Set (Rr., R), Beltline	1	
39	1004 99 738A	Mould Set (Rr., L), Beltline	1	

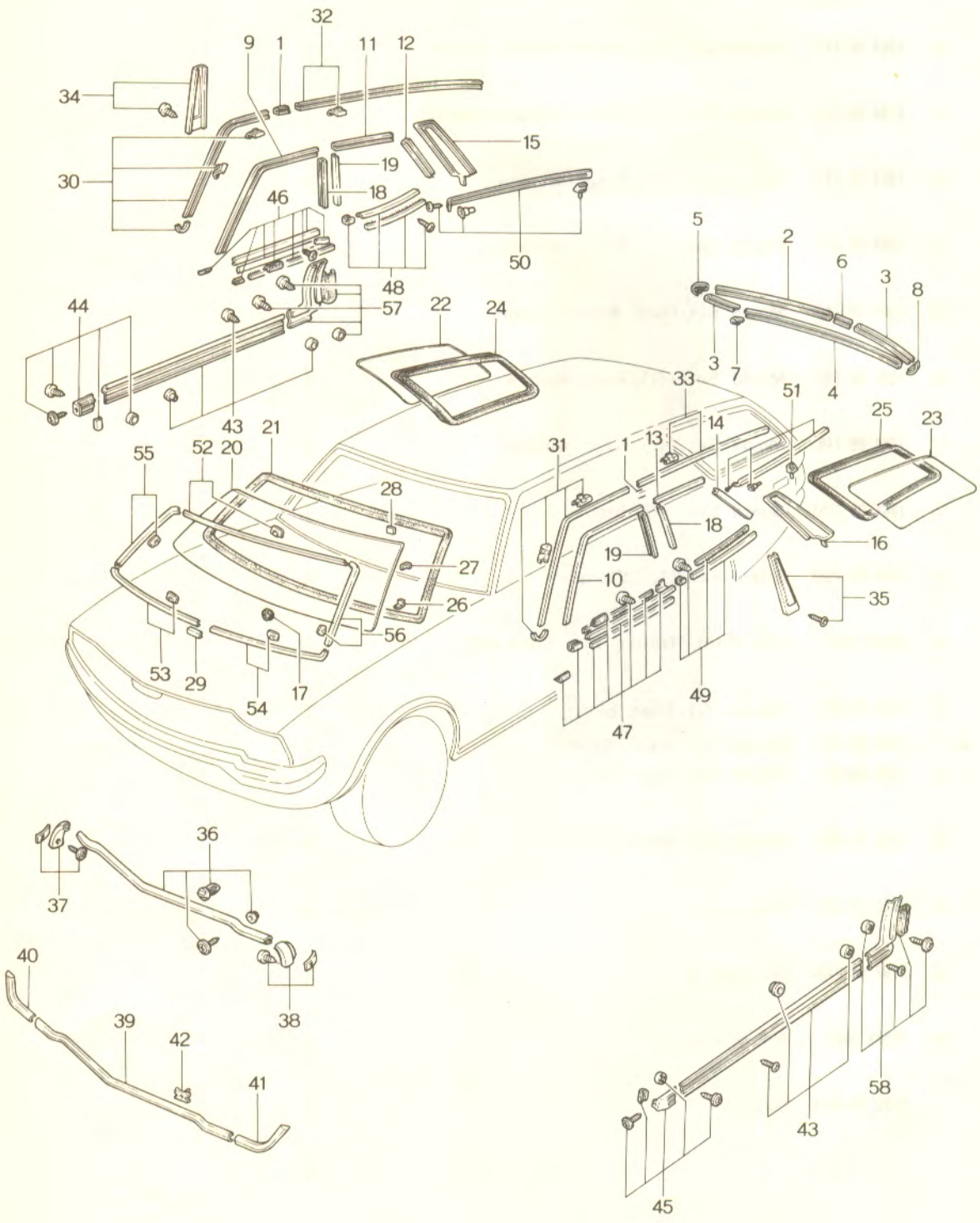
WINDOW GLASS & MOULDING

(SEDAN)

63

99

No.	Part Number	Description	Q'ty	Remarks
40	1004 99 741	Mould Set, Front Window-Upper	1	
41	1004 99 742	Mould Set (R), Front Window-Lower	1	
42	1004 99 745	Mould Set (L), Front Window-Lower	1	
43	1004 99 743	Mould Set (R), Front Window	1	
44	1004 99 744	Mould Set (L), Front Window	1	
45	1004 99 746	Mould Set, Rear Window-Upper	1	
46	1004 99 748	Mould Set (R), Rear Window	1	
47	1004 99 749	Mould Set (L), Rear Window	1	
48	1004 99 760A	Guard Set (R), Stone	1	
49	1004 99 765A	Guard Set (L), Stone	1	
50	99279 0502	Clip, Cord-Heating Wire Cord use	4	
51	1755 50 661	Mould (C), Rear Skirt	1	
●	1755 50 480	Mould (C), Rear Skirt	1	$\frac{3}{8} \sim \Delta$
52	1755 50 671	Mould (R), Rear Skirt	1	
53	1755 50 681	Mould (L), Rear Skirt	1	
54	1755 50 545	Fastener	10	
55	0187 69 049A	Nut, Spring	2	
56	99579 3000	Nut, Spring	2	
	0730 69 057A	Gasket	2	



WINDOW GLASS & MOULDING

(WAGON)

63

99

No.	Part Number	Description	Q'ty	Remarks
1	1004 50 443	Joint, Mould-Drip Mould	2	
2	1029 50 511	Mould, Back Window-Upper	1	
	1029 50 511A	Mould, Back Window-Upper	1	From Car No. 1
3	1029 50 512	Mould, Side-Back Window	2	
	1029 50 512A	Mould, Side-Back Window	2	From Car No. 1
4	1029 50 514	Mould, Back Window-Lower	1	
	1029 50 514A	Mould, Back Window-Lower	1	From Car No. 1
5	1029 50 515	Mould (R), Back Window-Upper	1	
6	1029 50 516	Mould (L), Back Window-Upper	1	
7	1029 50 517	Mould (R), Back Window-Lower	1	
8	1029 50 518	Mould (L), Back Window-Lower	1	
9	1004 50 521	Mould (Frt., R), Door Sash	1	
10	1004 50 525	Mould (Frt., L), Door Sash	1	
11	1029 50 531	Mould (R), Rear Sash	1	
	1029 50 531A	Mould (R), Rear Sash	1	From Car No. 1
12	1029 50 532	Mould (R), Rear Sash	1	
13	1029 50 535	Mould (L), Rear Sash	1	
	1029 50 535A	Mould (L), Rear Sash	1	From Car No. 1
14	1029 50 536	Mould (L), Rear Sash	1	
15	1029 50 580	Garnish (R), Rear Pillar	1	
	1029 50 580A	Garnish (R), Rear Pillar	1	$\frac{73}{12} \sim \bigcirc$
	1029 50 580B	Garnish (R), Rear Pillar	1	$\frac{74}{2} \sim \bigcirc$
●	1029 50 580C	Garnish (R), Rear Pillar	1	$\frac{74}{5} \sim \triangle$
16	1029 50 590	Garnish (L), Rear Pillar	1	
	1029 50 590A	Garnish (L), Rear Pillar	1	$\frac{73}{12} \sim \bigcirc$
	1029 50 590B	Garnish (L), Rear Pillar	1	$\frac{74}{2} \sim \bigcirc$
●	1029 50 590C	Garnish (L), Rear Pillar	1	$\frac{74}{5} \sim \triangle$
17	0259 52 301	Grommet, Concealed Antenna Cord use	1	
18	0866 58 842A	Mould, Door Sash	2	
19	0866 59 842A	Mould, Door Sash	2	
20	1741 63 901	Glass, Windshield-Front (Blue Pane, With Concealed Antenna)	1	
●	3571 63 901	Glass, Windshield-Front (Blue Pane, With Concealed Antenna)	1	$\frac{74}{10} \sim \bigcirc$

63

99

WINDOW GLASS & MOULDING

(WAGON)

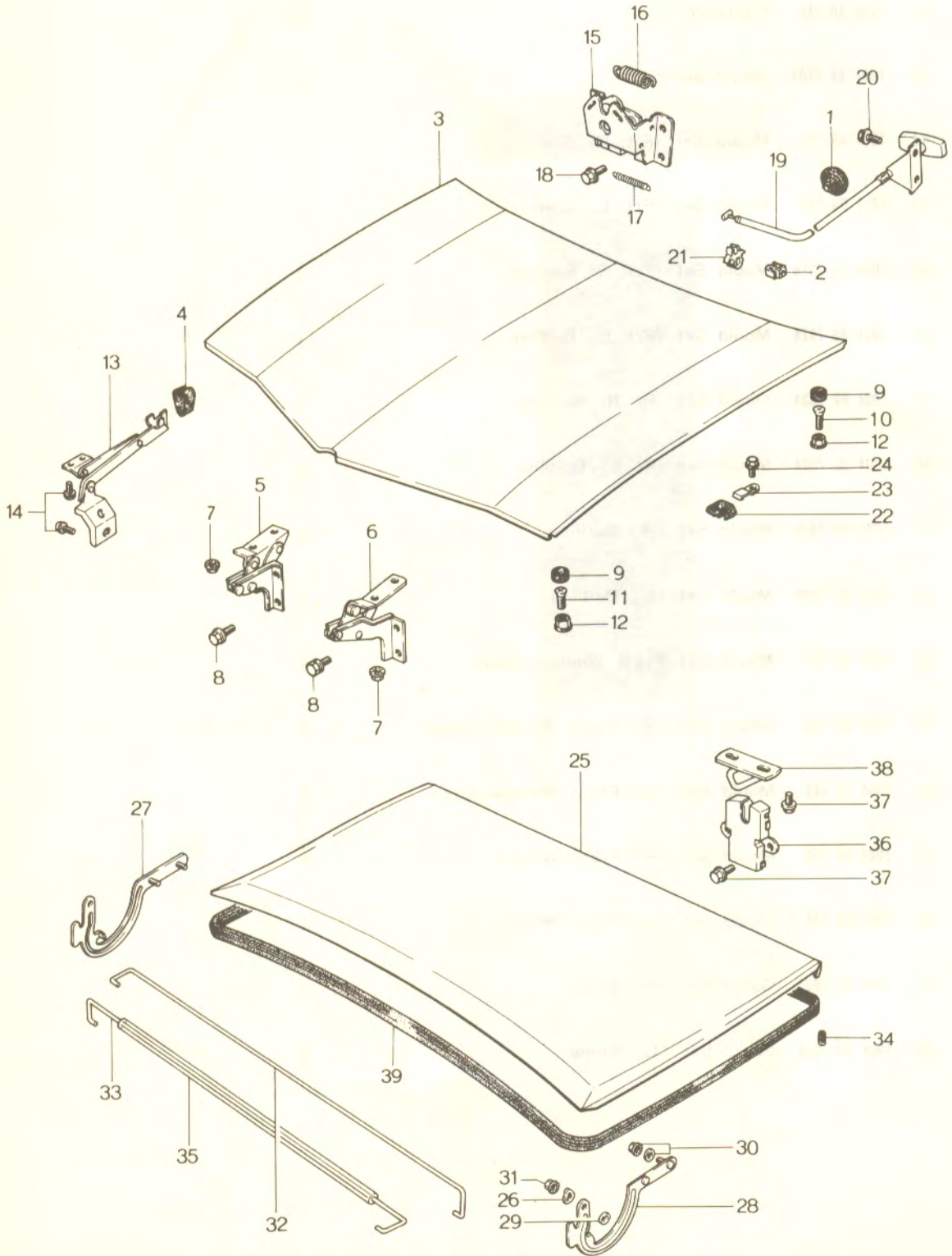
No.	Part Number	Description	Q'ty	Remarks
21	1011 63 902	Dam, Front Windshield Glass	1	
22	1029 63 941A	Glass (R), Side Window	1	
●	1029 63 951A	Glass (R), Side Window	1	From Car No. 1
23	1029 63 951A	Glass (L), Side Window	1	
●	1029 63 941A	Glass (L), Side Window	1	From Car No. 1
24	1029 63 942	Weatherstrip (R)	1	
	1029 63 942B	Weatherstrip (R)	1	From Car No. 1
25	1029 63 952	Weatherstrip (L)	1	
	1029 63 952B	Weatherstrip (L)	1	From Car No. 1
26	0305 70 447B	Spacer "A", Front Windshield Glass	3	
27	0305 70 448A	Spacer "B", Front Windshield Glass	2	
28	0839 70 449	Spacer "C", Front Windshield Glass	2	
29	0866 70 454	Joint, Mould-Front Window Mould Lower	1	
30	1004 99 702	Mould Set (Frt., R), Drip	1	
31	1004 99 707	Mould Set (Frt., L), Drip	1	
32	1029 99 703	Mould Set (Rr., R), Drip	1	
●	1029 99 703A	Mould Set (Rr., R), Drip	1	From Car No. 1
33	1029 99 708	Mould Set (Rr., L), Drip	1	
	1029 99 703	Mould Set (Rr., L), Drip	1	From Car No. 1
●	1029 99 703A	Mould Set (Rr., L), Drip	1	From Car No. 1
34	1004 99 704A	Garnish (R), Center Pillar	1	
35	1004 99 709A	Garnish (L), Center Pillar	1	
36	1011 99 711A	Mould Set (C), Front	1	
37	1011 99 712	Mould Set (R), Front	1	
●	1011 99 712A	Mould Set (R), Front	1	$\frac{7}{16} \sim \triangle$
38	1011 99 713	Mould Set (L), Front	1	
●	1011 99 713A	Mould Set (L), Front	1	$\frac{7}{16} \sim \triangle$
39	1755 50 541	Mould (C), Front Skirt	1	
40	1755 50 542	Mould (R), Front Skirt	1	
●	1755 50 460	Mould (R), Front Skirt	1	$\frac{7}{16} \sim \circ$

WINDOW GLASS & MOULDING (WAGON)

63

99

No.	Part Number	Description	Q'ty	Remarks
41	1755 50 543	Mould (L), Front Skirt	1	
●	1755 50 470	Mould (L), Front Skirt	1	$\frac{7}{6}$ ~○
42	1755 50 545	Fastener	10	
43	1011 99 720A	Mould Set, Step	2	
44	1011 99 721	Mould Set (Frt., R), Step	1	
45	1011 99 726	Mould Set (Frt., L), Step	1	
46	1004 99 732B	Mould Set (Frt., R), Beltline	1	
47	1004 99 737A	Mould Set (Frt., L), Beltline	1	
48	1004 99 733A	Mould Set (Rr., R), Beltline	1	
49	1004 99 738A	Mould Set (Rr., L), Beltline	1	
50	1029 99 733A	Mould Set (R), Beltline	1	
51	1029 99 738A	Mould Set (L), Beltline	1	
52	1004 99 741	Mould Set, Front Window-Upper	1	
53	1004 99 742	Mould Set (R), Front Window-Lower	1	
54	1004 99 745	Mould Set (L), Front Window-Lower	1	
55	1004 99 743	Mould Set (R), Front Window	1	
56	1004 99 744	Mould Set (L), Front Window	1	
57	1004 99 760A	Guard Set (R), Stone	1	
58	1004 99 765A	Guard Set (L), Stone	1	



BONNET & TRUNK LID

52

56

No.	Part Number	Description	Q'ty	Remarks
1	0259 52 301	Grommet	1	
2	0223 52 302	Clamp, Release Wire	1	
3	1011 52 310B	Bonnet	1	
	1011 52 310C	Bonnet	1	$\frac{73}{11} \sim \bigcirc$
●	1011 52 310E	Bonnet	1	$\frac{74}{5} \sim \triangle$
●	1011 52 310F	Bonnet	1	$\frac{74}{7} \sim \triangle$
4	0866 52 397A	Rubber, Cushion-Bonnet Stay	1	
5	1011 52 410	Hinge (R), Bonnet	1	
6	1011 52 460	Hinge (L), Bonnet	1	
7	99940 0802	Nut, Bonnet Hinge	4	
8	99794 0820	Bolt, Hinge	6	
	99952 0822	Washer, Plain	6	
9	0866 52 451	Rubber, Cushion-Bonnet	4	
10	99831 0636	Screw, Cushion Rubber	2	
11	99831 0625	Screw, Cushion Rubber	2	
12	99940 0602	Nut, Cushion Rubber	4	
13	1757 52 510	Stay, Bonnet	1	
14	99796 0614	Bolt, Bonnet Stay	4	
15	1708 56 620	Lock, Bonnet	1	
●	1708 56 620A	Lock, Bonnet	1	$\frac{74}{5} \sim \triangle$
16	0305 52 863	Spring, Return	1	
●	0305 52 863A	Spring, Return	1	$\frac{74}{5} \sim \triangle$
17	1011 56 672A	Spring, Return	1	

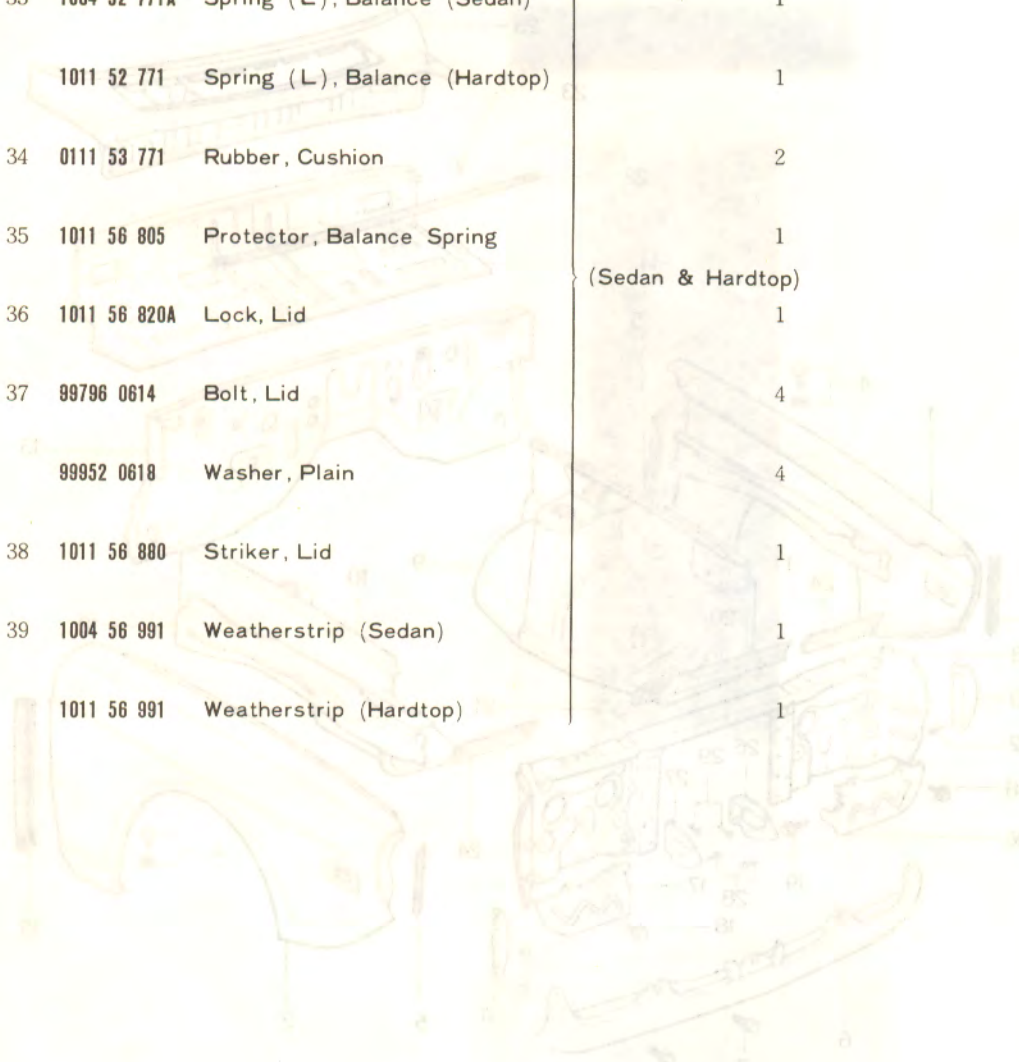
No.	Part Number	Description	Q'ty	Remarks
18	99798 0612	Bolt, Bonnet Lock	4	
	99952 0618	Washer, Plain	4	
19	1708 56 710A	Wire, Bonnet Release	1	
20	99796 0620	Bolt, Release Wire	2	
21	99279 0401	Clip, Release Wire	2	
22	1011 56 785	Cushion	2	
23	1011 56 786	Plate, Set	2	
	1011 56 786A	Plate, Set	2	$\frac{3}{8}$ —O
24	99797 0612	Bolt, Set Plate	2	
25	1004 52 810A	Lid, Trunk (Sedan)	1	} (Sedan & Hardtop)
	1011 52 810	Lid, Trunk (Hardtop)	1	
26	0866 52 631	Washer, Wave	2	
27	1004 52 710A	Hinge (R) (Sedan)	1	
	1011 52 710A	Hinge (R) (Hardtop)	1	
28	1004 52 720	Hinge (L) (Sedan)	1	
	1011 52 720	Hinge (L) (Hardtop)	1	
29	99952 0800	Washer, Plain	2	
30	99940 0602	Nut, Lid Hinge	4	
	99952 0618	Washer, Plain	4	
31	99940 0603	Nut, Lid Hinge	2	

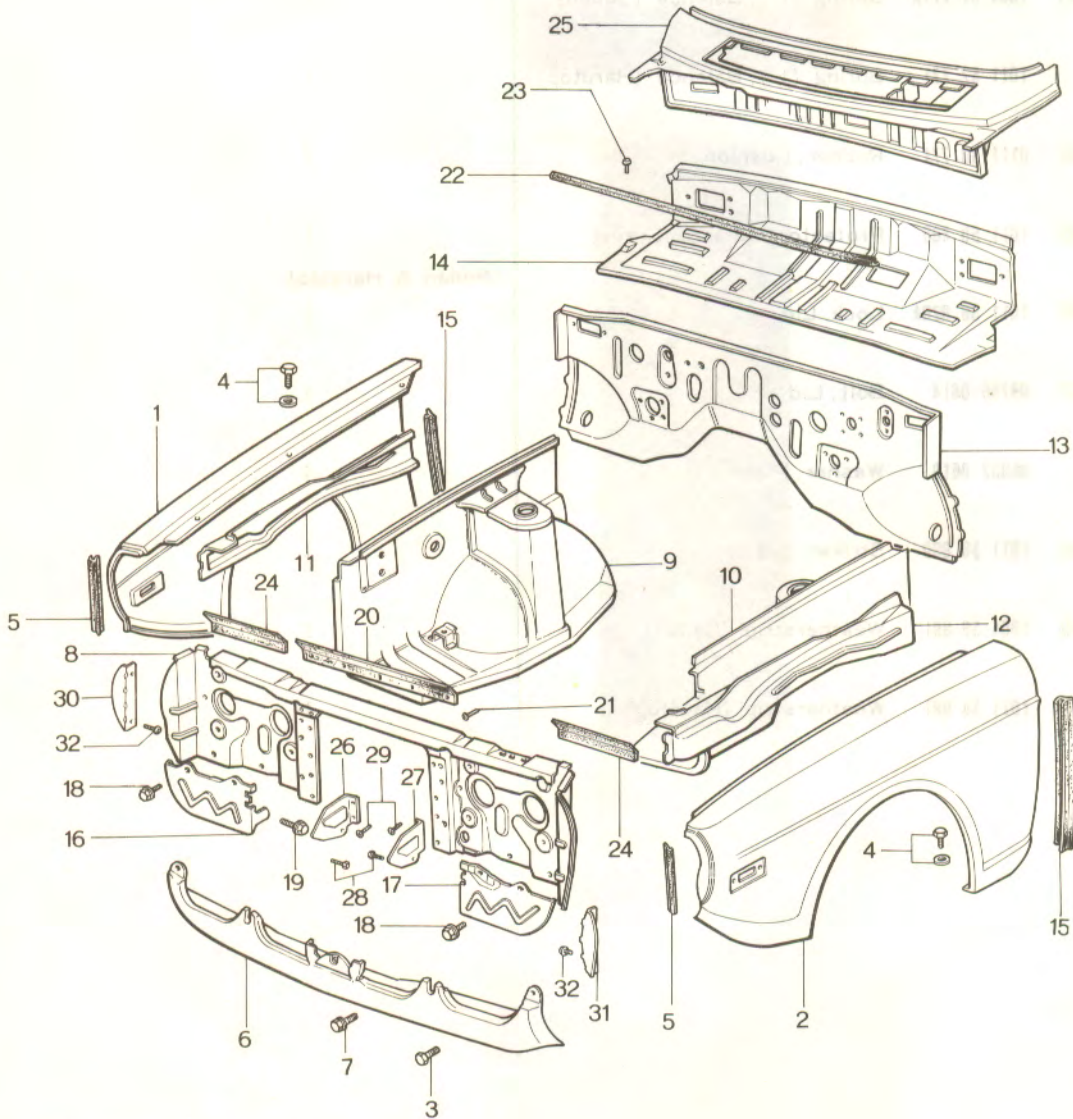
BONNET & TRUNK LID

52

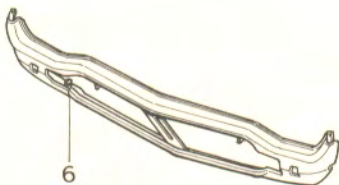
56

No.	Part Number	Description	Q'ty	Remarks
32	1004 52 761A	Spring (R), Balance (Sedan)	1	
	1011 52 761	Spring (R), Balance (Hardtop)	1	
33	1004 52 771A	Spring (L), Balance (Sedan)	1	
	1011 52 771	Spring (L), Balance (Hardtop)	1	
34	0111 53 771	Rubber, Cushion	2	
35	1011 56 805	Protector, Balance Spring	1	(Sedan & Hardtop)
36	1011 56 820A	Lock, Lid	1	
37	99796 0614	Bolt, Lid	4	
	99952 0618	Washer, Plain	4	
38	1011 56 880	Striker, Lid	1	
39	1004 56 991	Weatherstrip (Sedan)	1	
	1011 56 991	Weatherstrip (Hardtop)	1	





(Hardtop)



BODY PANELS (FRONT)

52
70

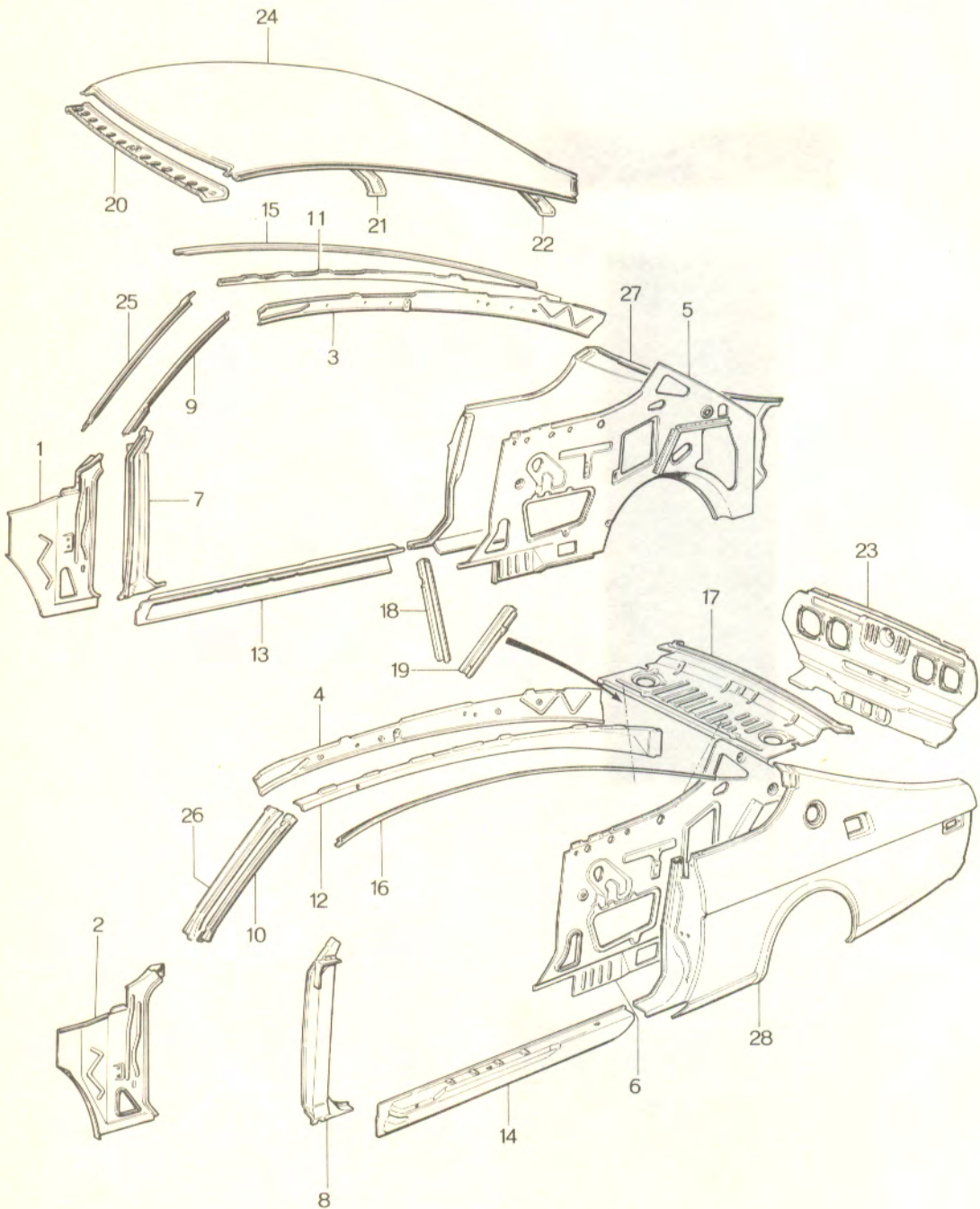
No.	Part Number	Description	Q'ty	Remarks
1	1727 52 110	Panel (R), Front Fender (Hardtop)	1	
●	1755 52 110A	Panel (R), Front Fender (Hardtop)	1	$\frac{7}{11} \sim \times$
	1755 52 110	Panel (R), Front Fender (Sedan & Wagon)	1	
	1755 52 110A	Panel (R), Front Fender (Sedan)	1	$\frac{7}{3} \sim \Delta$
	1791 52 110	Panel (R), Front Fender (Wagon)	1	$\frac{7}{3} \sim \circ$
●	1755 52 110A	Panel (R), Front Fender (Wagon)	1	$\frac{7}{6} \sim \times$
2	1727 52 210	Panel (L), Front Fender (Hardtop)	1	
●	1755 52 210A	Panel (L), Front Fender (Hardtop)	1	$\frac{7}{11} \sim \times$
	1755 52 210	Panel (L), Front Fender (Sedan & Wagon)	1	
	1755 52 210A	Panel (L), Front Fender (Sedan)	1	$\frac{7}{3} \sim \Delta$
	1791 52 210	Panel (L), Front Fender (Wagon)	1	$\frac{7}{3} \sim \circ$
●	1755 52 210A	Panel (L), Front Fender (Wagon)	1	$\frac{7}{6} \sim \times$
3	99796 0612	Bolt, Fender Panel + Skirt Panel	4	
4	99797 0612	Bolt, Front Fender Panel	10	
	99952 0618	Washer, Plain	8	
5	1011 52 141	Rubber, Seal-Fender Panel	2	
6	1755 52 910C	Panel, Front Skirt (Sedan & Wagon)	1	
	1755 52 910D	Panel, Front Skirt (Sedan & Wagon)	1	From Car No. 1
	1755 52 910H	Panel, Front Skirt (Sedan)	1	$\frac{7}{3} \sim \times$
●	1755 52 910 I	Panel, Front Skirt (Sedan)	1	$\frac{7}{10} \sim \Delta$
	1791 52 910	Panel, Front Skirt (Wagon)	1	$\frac{7}{3} \sim \circ$
●	1755 52 910H	Panel, Front Skirt (Wagon)	1	$\frac{7}{6} \sim \times$
●	1755 52 910 I	Panel, Front Skirt (Wagon)	1	$\frac{7}{10} \sim \Delta$
	1757 52 910	Panel, Front Skirt (Hardtop)	1	
●	1755 52 910 I	Panel, Front Skirt (Hardtop)	1	$\frac{7}{11} \sim \times$
7	99796 0612	Bolt, Front Skirt	6	
	99796 0816	Bolt, Front Skirt	2	
	99860 0512	Bolt, Front Skirt (Sedan & Wagon)	2	From Car No. 1
	99952 0500	Washer, Plain	2	
8	1011 53 100	Panel, Radiator Shroud	1	
	1011 53 100B	Panel, Radiator Shroud	1	$\frac{7}{5} \sim \times$
●	1011 53 100C	Panel, Radiator Shroud	1	$\frac{7}{5} \sim \Delta$
9	1011 53 210C	Panel (R), Wheel Apron	1	
	1011 53 210D	Panel (R), Wheel Apron	1	$\frac{7}{11} \sim \circ$
	1011 53 210F	Panel (R), Wheel Apron	1	$\frac{7}{2} \sim \times$
●	1011 53 210G	Panel (R), Wheel Apron	1	$\frac{7}{7} \sim \circ$
●	1011 53 210H	Panel (R), Wheel Apron	1	$\frac{7}{8} \sim \circ$
10	1011 54 210C	Panel (L), Wheel Apron	1	
●	1011 54 210E	Panel (L), Wheel Apron	1	$\frac{7}{8} \sim \Delta$
11	1011 53 281A	Reinforcement (R), Wheel Apron	1	
12	1011 54 281A	Reinforcement (L), Wheel Apron	1	
13	1708 53 400C	Panel, Dash-Lower	1	
	1708 53 400D	Panel, Dash-Lower	1	$\frac{7}{1} \sim \times$
●	1708 53 400E	Panel, Dash-Lower	1	$\frac{7}{7} \sim \Delta$
14	1708 53 510	Panel, Dash-Upper	1	
	1708 53 510A	Panel, Dash-Upper	1	From Car No. 1
●	1708 53 510B	Panel, Dash-Upper	1	$\frac{7}{7} \sim \Delta$
●	1708 53 510C	Panel, Dash-Upper	1	$\frac{7}{10} \sim \circ$
15	0305 53 708	Rubber, Seal-Fender Panel	2	
16	1011 56 131A	Shield (R), Splash (Hardtop)	1	
	1013 56 131	Shield (R), Splash (Hardtop)	1	From Car No. 1
●	1755 56 131	Shield (R), Splash (Hardtop)	1	$\frac{7}{11} \sim \times$

BODY PANELS (FRONT)

No.	Part Number	Description	Q'ty	Remarks
	1755 56 131	Shield (R), Splash (Sedan & Wagon)	1	
17	1011 56 141A	Shield (L), Splash (Hardtop)	1	
	1013 56 141	Shield (L), Splash (Hardtop)	1	From Car No. 1
●	1755 56 141	Shield (L), Splash (Hardtop)	1	7 $\frac{4}{11}$ ~ X
	1755 56 141	Shield (L), Splash (Sedan & Wagon)	1	
18	99786 0612	Bolt, Splash Shield	4	
	99952 0618	Washer, Plain	4	
19	99786 0820	Bolt	2	
	99952 0822	Washer, Plain	2	
20	1011 56 751B	Rubber, Seal-Radiator Shroud	1	
21	99264 0531B	Rivet, Seal Rubber	11	
22	1011 56 791	Rubber, Seal-Dashboard Panel	1	
23	99264 0531B	Rivet, Seal Rubber	10	
24	1011 61 494	Seal, Air (With Air-Con.)	2	
25	1708 74 040	Panel, Cowl	1	
●	1708 74 040B	Panel, Cowl	1	7 $\frac{4}{5}$ ~ Δ
●	1708 74 040C	Panel, Cowl	1	7 $\frac{4}{7}$ ~ Δ
26	1011 52 941	Plate (R), Seal	1	7 $\frac{4}{5}$ ~ Added Anew
●	1011 52 941A	Plate (R), Seal	1	{ 7 $\frac{4}{5}$ ~ ○ 7 $\frac{4}{9}$ ~ Discarded
27	1011 52 946	Plate (L), Seal	1	7 $\frac{4}{5}$ ~ Added Anew
●	1011 52 946A	Plate (L), Seal	1	{ 7 $\frac{4}{5}$ ~ ○ 7 $\frac{4}{10}$ ~ Discarded
28	99784 0816	Bolt, Seal Plate	2	{ 7 $\frac{4}{5}$ ~ Added Anew 7 $\frac{4}{10}$ ~ Discarded
29	99865 0510	Screw, Seal Plate	4	{ 7 $\frac{4}{5}$ ~ Added Anew 7 $\frac{4}{10}$ ~ Discarded
30	1011 56 261	Panel (R), Fender Seal	1	7 $\frac{4}{5}$ ~ Added Anew
●	1011 56 261A	Panel (R), Fender Seal	1	7 $\frac{4}{5}$ ~ Δ
31	1011 56 271	Panel (L), Fender Seal	1	7 $\frac{4}{5}$ ~ Added Anew
●	1011 56 271A	Panel (L), Fender Seal	1	7 $\frac{4}{5}$ ~ Δ
32	99865 0510	Screw, Panel	4	7 $\frac{4}{5}$ ~ Added Anew



BODY PANELS (SIDE & REAR, HARDTOP)



BODY PANELS (SIDE & REAR, HARDTOP)

70

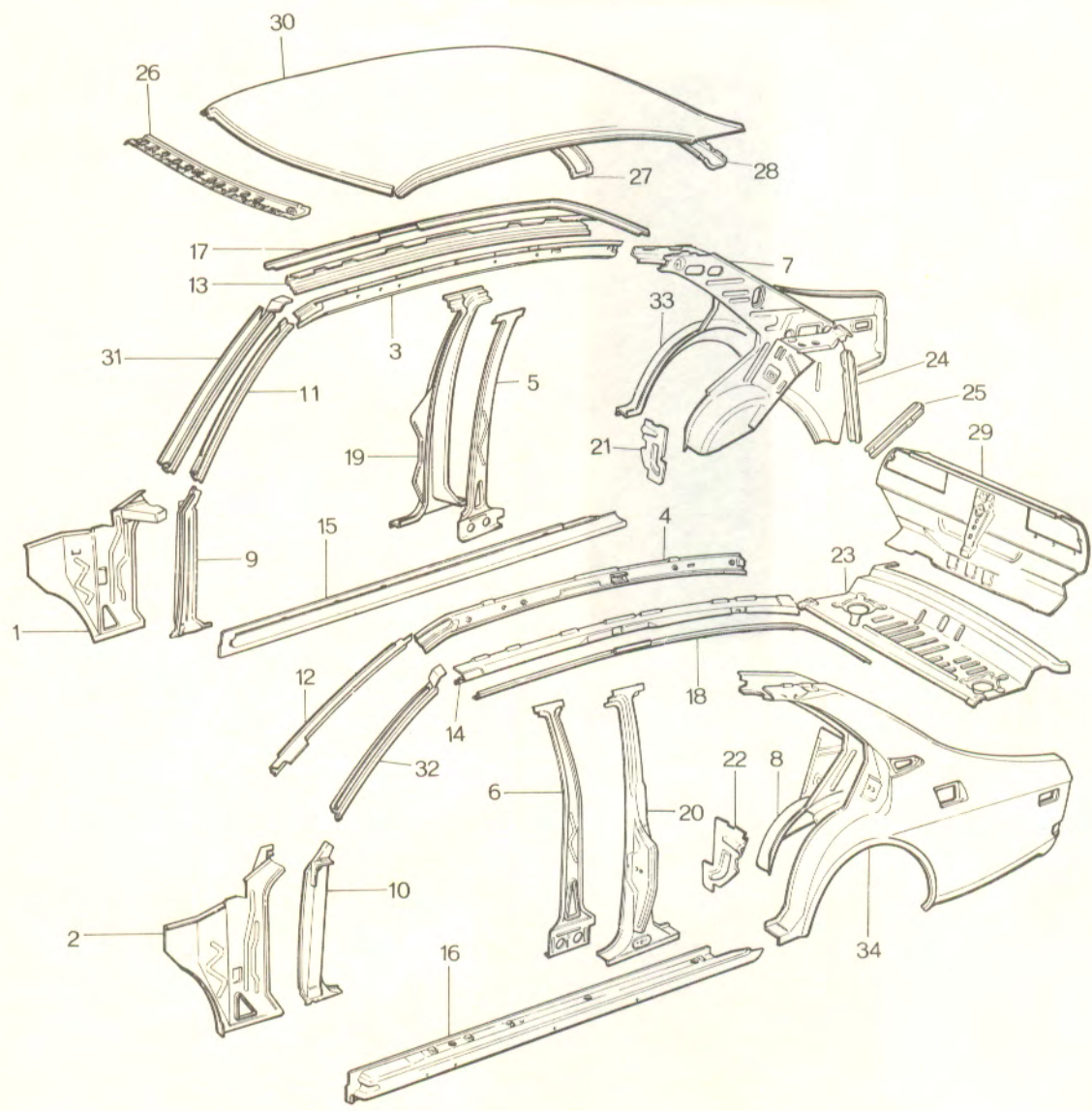
71

No.	Part Number	Description	Q'ty	Remarks
1	1011 70 020D	Panel (R), Cowl Side	1	
2	1011 71 020D	Panel (L), Cowl Side	1	
3	1011 70 050	Rail (R), Roof-Inner	1	
4	1011 71 050	Rail (L), Roof-Inner	1	
5	1011 70 100B	Panel (R), Quarter	1	
●	1011 70 100C	Panel (R), Quarter	1	$\frac{7}{8} \sim \Delta$
●	1011 70 100E	Panel (R), Quarter	1	$\frac{7}{10} \sim \times$
6	1011 71 100A	Panel (L), Quarter	1	
●	1011 71 100B	Panel (L), Quarter	1	$\frac{7}{8} \sim \Delta$
●	1011 71 100C	Panel (L), Quarter	1	$\frac{7}{8} \sim \Delta$
●	1011 71 100G	Panel (L), Quarter	1	$\frac{7}{10} \sim \times$
7	1011 70 210	Pillar (R), Hinge	1	
8	1011 71 210	Pillar (L), Hinge	1	
9	1011 70 241	Pillar "A" (R), Front	1	
10	1011 71 241	Pillar "A" (L), Front	1	
11	1011 70 250	Rail (R), Roof-Outer	1	
12	1011 71 250	Rail (L), Roof-Outer	1	
13	1011 70 270	Panel (R), Side Sill	1	
14	1011 71 270	Panel (L), Side Sill	1	
15	1011 70 311	Rail (R), Rain	1	
16	1011 71 311	Rail (L), Rain	1	
17	1011 70 500A	Tray, Package	1	
18	1011 70 521C	Brace (R), Diagonal	1	
19	1011 71 521C	Brace (L), Diagonal	1	
20	1011 70 640A	Header, Front	1	

No.	Part Number	Description	Q'ty	Remarks
21	1011 70 660	Reinforcement, Roof	1	
22	1011 70 701	Header, Rear	1	
	1011 70 701A	Header, Rear	1	$\frac{3}{8}$ ~○
23	1757 70 750	Panel, Rear End	1	
	3565 70 750	Panel, Rear End	1	$\frac{3}{8}$ ~×
24	1011 74 030	Panel, Roof	1	
	1011 74 030A	Panel, Roof	1	$\frac{3}{8}$ ~△
25	1011 74 090	Pillar "B" (R), Front	1	
26	1011 74 120	Pillar "B" (L), Front	1	
27	1011 74 100A	Panel (R), Rear Fender	1	
	1011 74 100B	Panel (R), Rear Fender	1	$\frac{3}{8}$ ~△
28	1011 74 130A	Panel (L), Rear Fender	1	
	1011 74 130B	Panel (L), Rear Fender	1	$\frac{3}{8}$ ~△



BODY PANELS (SIDE & REAR, SEDAN)



BODY PANELS (SIDE & REAR, SEDAN)

70

71

No.	Part Number	Description	Q'ty	Remarks
1	1011 70 020D	Panel (R), Cowl Side	1	
2	1011 71 020D	Panel (L), Cowl Side	1	
3	1004 70 050A	Rail, Roof-Inner (R)	1	
4	1004 71 050A	Rail, Roof-Inner (L)	1	
5	1004 70 090B	Pillar, Center-Inner (R)	1	
	1004 70 090C	Pillar, Center-Inner (R)	1	$\frac{7}{11} \sim \Delta$
●	1004 70 090D	Pillar, Center-Inner (R)	1	$\frac{7}{10} \sim \times$
6	1004 71 090B	Pillar, Center-Inner (L)	1	
	1004 71 090C	Pillar, Center-Inner (L)	1	$\frac{7}{11} \sim \Delta$
●	1004 71 090D	Pillar, Center-Inner (L)	1	$\frac{7}{10} \sim \times$
7	1004 70 100A	Pillar, Rear-Inner (R)	1	
●	1004 70 100B	Pillar, Rear-Inner (R)	1	$\frac{7}{10} \sim \times$
●	1004 70 100C	Pillar, Rear-Inner (R)	1	$\frac{7}{11} \sim \Delta$
8	1004 71 100	Pillar, Rear-Inner (L)	1	
●	1004 71 100A	Pillar, Rear-Inner (L)	1	$\frac{7}{10} \sim \times$
●	1004 71 100B	Pillar, Rear-Inner (L)	1	$\frac{7}{11} \sim \Delta$
●	1004 71 100C	Pillar, Rear-Inner (L)	1	$\frac{7}{11} \sim \Delta$
9	1011 70 210	Pillar (R), Hinge	1	
10	1011 71 210	Pillar (L), Hinge	1	
11	1004 70 241A	Pillar "A" (R), Front	1	
12	1004 71 241A	Pillar "A" (L), Front	1	
13	1004 70 251	Rail, Roof-Outer (R)	1	
14	1004 71 251	Rail, Roof-Outer (L)	1	
15	1004 70 270	Panel (R), Side Sill	1	
16	1004 71 270	Panel (L), Side Sill	1	
17	1004 70 311	Rail (R), Rain	1	
18	1004 71 311	Rail (L), Rain	1	
19	1004 70 350D	Pillar, Center-Outer (R)	1	
20	1004 71 350D	Pillar, Center-Outer (L)	1	

70

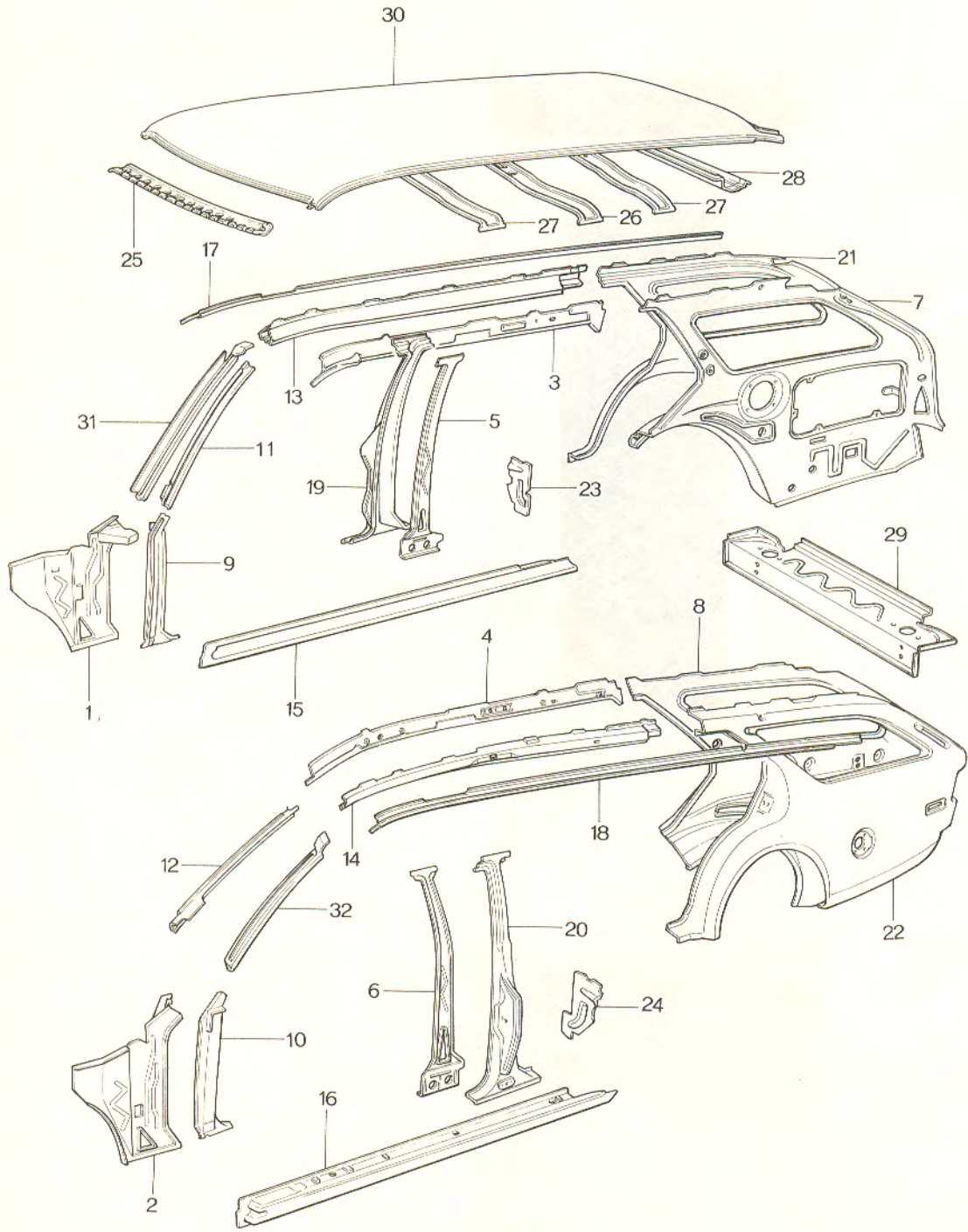
71

BODY PANELS (SIDE & REAR, SEDAN)

No.	Part Number	Description	Q'ty	Remarks
21	1004 70 404	Plate (R), End	1	
22	1004 71 404	Plate (L), End	1	
23	1004 70 500B	Tray, Package	1	
●	3561 70 500	Tray, Package	1	$\frac{7}{10}$ ~X
24	1011 70 521C	Brace (R), Diagonal	1	
25	1011 71 521C	Brace (L), Diagonal	1	
26	1004 70 640	Header, Front	1	
27	1004 70 660	Reinforcement, Roof	1	
28	1004 70 701	Header, Rear	1	
29	1755 70 750	Panel, Rear End	1	
	1755 70 750A	Panel, Rear End	1	$\frac{7}{11}$ ~△
	1755 70 750C	Panel, Rear End	1	$\frac{7}{3}$ ~X
30	1004 74 030	Panel, Roof	1	
31	1004 74 090	Pillar "B" (R), Front	1	
32	1004 74 120	Pillar "B" (L), Front	1	
33	1004 74 100	Panel (R), Rear Fender	1	
	1004 74 100A	Panel (R), Rear Fender	1	$\frac{7}{3}$ ~○
34	1004 74 130	Panel (L), Rear Fender	1	
	1004 74 130A	Panel (L), Rear Fender	1	$\frac{7}{3}$ ~○



BODY PANELS (SIDE, WAGON)



BODY PANELS (SIDE, WAGON)

70

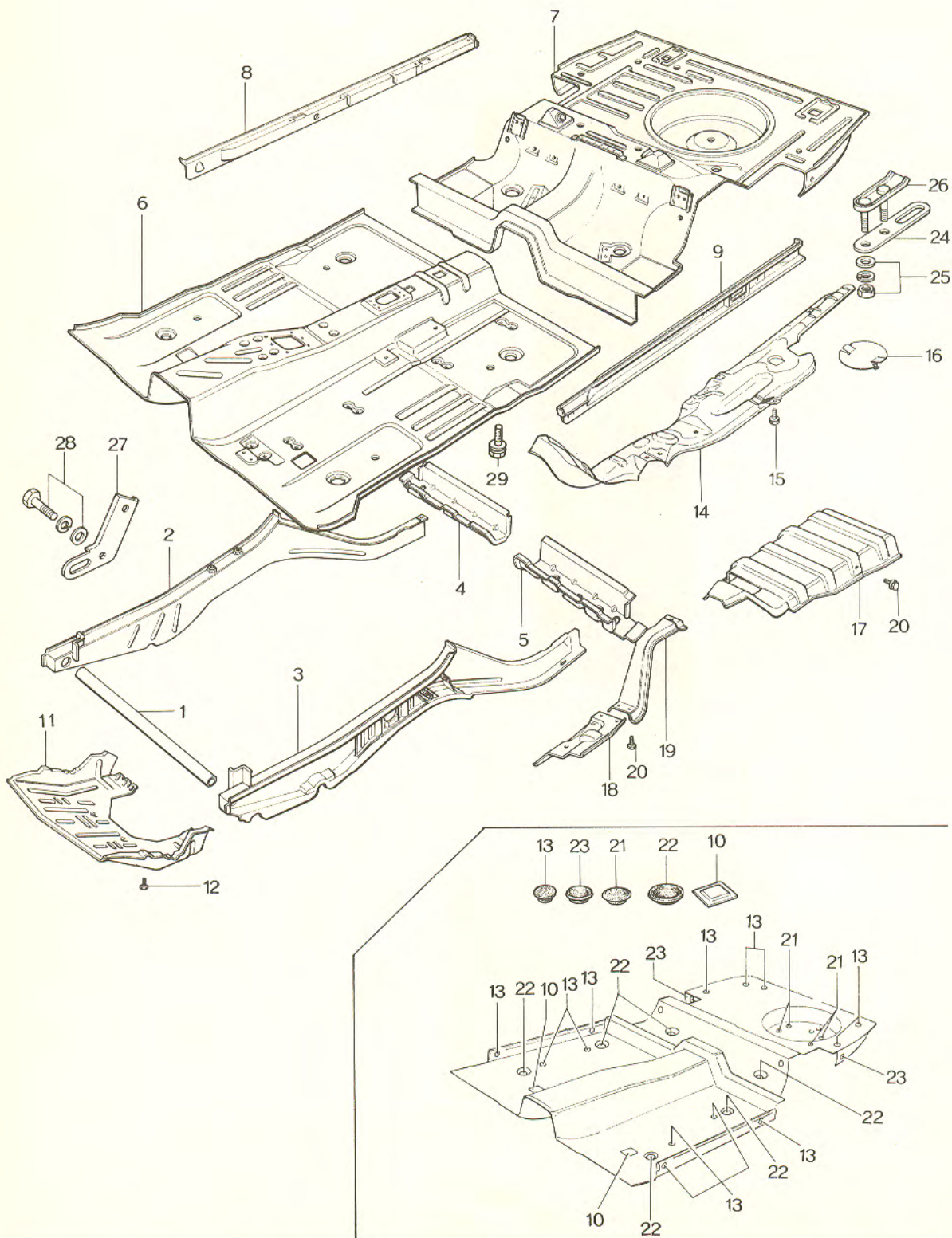
71

No.	Part Number	Description	Q'ty	Remarks
1	1011 70 020D	Panel (R), Cowl Side	1	
2	1011 71 020D	Panel (L), Cowl Side	1	
3	1029 70 050	Rail, Roof-Inner (R)	1	
4	1029 71 050	Rail, Roof-Inner (L)	1	
5	1004 70 090B	Pillar, Center-Inner (R)	1	
	1004 70 090C	Pillar, Center-Inner (R)	1	$\frac{73}{11} \sim \Delta$
●	1004 70 090D	Pillar, Center-Inner (R)	1	$\frac{74}{10} \sim \times$
6	1004 71 090B	Pillar, Center-Inner (L)	1	
	1004 71 090C	Pillar, Center-Inner (L)	1	$\frac{73}{11} \sim \Delta$
●	1004 71 090D	Pillar, Center-Inner (L)	1	$\frac{74}{10} \sim \times$
7	1029 70 100A	Panel (R), Inside	1	
8	1029 71 100A	Panel (L), Inside	1	
●	1029 71 100B	Panel (L), Inside	1	$\frac{74}{5} \sim \times$
9	1011 70 210	Pillar (R), Hinge	1	
10	1011 71 210	Pillar (L), Hinge	1	
11	1004 70 241A	Pillar "A" (R), Front	1	
12	1004 71 241A	Pillar "A" (L), Front	1	
13	1029 70 251	Rail, Roof-Outer (R)	1	
14	1029 71 251	Rail, Roof-Outer (L)	1	
15	1004 70 270	Panel (R), Side Sill	1	
16	1004 71 270	Panel (L), Side Sill	1	
17	1029 70 311	Rail (R), Rain	1	
18	1029 71 311	Rail (L), Rain	1	
19	1004 70 350D	Pillar, Center-Outer (R)	1	
	1029 70 350	Pillar, Center-Outer (R)	1	$\frac{74}{4} \sim \circ$
20	1004 71 350D	Pillar, Center-Outer (L)	1	
	1029 71 350	Pillar, Center-Outer (L)	1	$\frac{74}{4} \sim \circ$

70**71****BODY PANELS (SIDE, WAGON)**

No.	Part Number	Description	Q'ty	Remarks
21	0697 70 400	Panel (R), Rear Fender	1	
22	0697 71 400	Panel (L), Rear Fender	1	
23	1004 70 404	Plate (R), End	1	
24	1004 71 404	Plate (L), End	1	
25	1004 70 640	Header, Front	1	
26	1004 70 660	Reinforcement, Roof	1	
	1029 70 660	Reinforcement, Roof	1	$\frac{7}{12} \sim \Delta$
27	1029 70 671	Reinforcement, Roof	2	
28	1029 70 700	Header, Rear	1	
29	1029 70 751	Crossmember, Rear - Outer	1	
	1029 70 751A	Crossmember, Rear - Outer	1	$\frac{7}{10} \sim \Delta$
	1029 70 751B	Crossmember, Rear - Outer	1	$\frac{7}{3} \sim \times$
●	1029 70 751C	Crossmember, Rear - Outer	1	$\frac{7}{10} \sim \Delta$
30	1029 74 030	Panel, Roof	1	
31	1004 74 090	Pillar "B" (R), Front	1	
32	1004 74 120	Pillar "B" (L), Front	1	





BODY PANELS (FLOOR, SEDAN & HARDTOP)

53

56

No.	Part Number	Description	Q'ty	Remarks
1	1011 53 162	Member No. 1, Cross	1	
2	1011 53 300C	Frame (R), Side-Front	1	
	1011 53 300D	Frame (R), Side-Front	1	$\frac{73}{10} \sim \Delta$
●	1011 53 300E	Frame (R), Side-Front	1	$\frac{74}{10} \sim \Delta$
3	1011 54 300C	Frame (L), Side-Front	1	
	1011 54 300D	Frame (L), Side-Front	1	$\frac{73}{10} \sim \Delta$
●	1011 54 300E	Frame (L), Side-Front	1	$\frac{74}{10} \sim \Delta$
4	1011 53 391B	Box (R), Torque	1	
	1011 53 391C	Box (R), Torque	1	From Car No. 1
5	1011 54 391B	Box (L), Torque	1	
	1011 54 391C	Box (L), Torque	1	From Car No. 1
6	1029 53 600A	Pan, Floor-Front	1	
●	1029 53 600B	Pan, Floor-Front	1	$\frac{74}{10} \sim \Delta$
7	1114 53 700B	Pan, Floor-Rear	1	
	1114 53 700C	Pan, Floor-Rear	1	$\frac{74}{4} \sim \Delta$
8	1011 53 950D	Panel, Side Sill-Inner (R)	1	
9	1011 54 950D	Panel, Side Sill-Inner (L)	1	
●	1011 54 950E	Panel, Side Sill-Inner (L)	1	$\frac{74}{10} \sim \Delta$
10	1011 56 051	Cover, Hole	2	
11	1011 56 111B	Cover, Under	1	
	1011 56 111C	Cover, Under	1	$\frac{74}{1} \sim \bigcirc$
●	3565 56 111	Cover, Under	1	$\frac{74}{8} \sim \Delta$
12	99786 0616	Bolt, Under Cover	2	
	99952 0618	Washer, Plain	2	
13	0118 56 241	Plug, Drain	15	
14	1029 56 410A	Insulator (Frt.)	1	
	1029 56 410C	Insulator (Frt.)	1	From Car No. 1
●	1029 56 410D	Insulator (Frt.)	1	$\frac{74}{5} \sim \Delta$
●	1029 56 410E	Insulator (Frt.)	1	$\frac{74}{7} \sim \Delta$
●	1029 56 410F	Insulator (Frt.)	1	$\frac{74}{11} \sim \bigcirc$
15	99786 0612	Bolt, Insulator	11	
	99952 0618	Washer, Plain	11	
16	1029 56 431	Insulator	1	
17	1011 56 460D	Insulator	1	
18	1011 56 480D	Insulator (Rr.) No. 1	1	
●	1011 56 480E	Insulator (Rr.) No. 1	1	$\frac{74}{6} \sim \Delta$
19	1114 56 490A	Insulator (Rr.) No. 2	1	

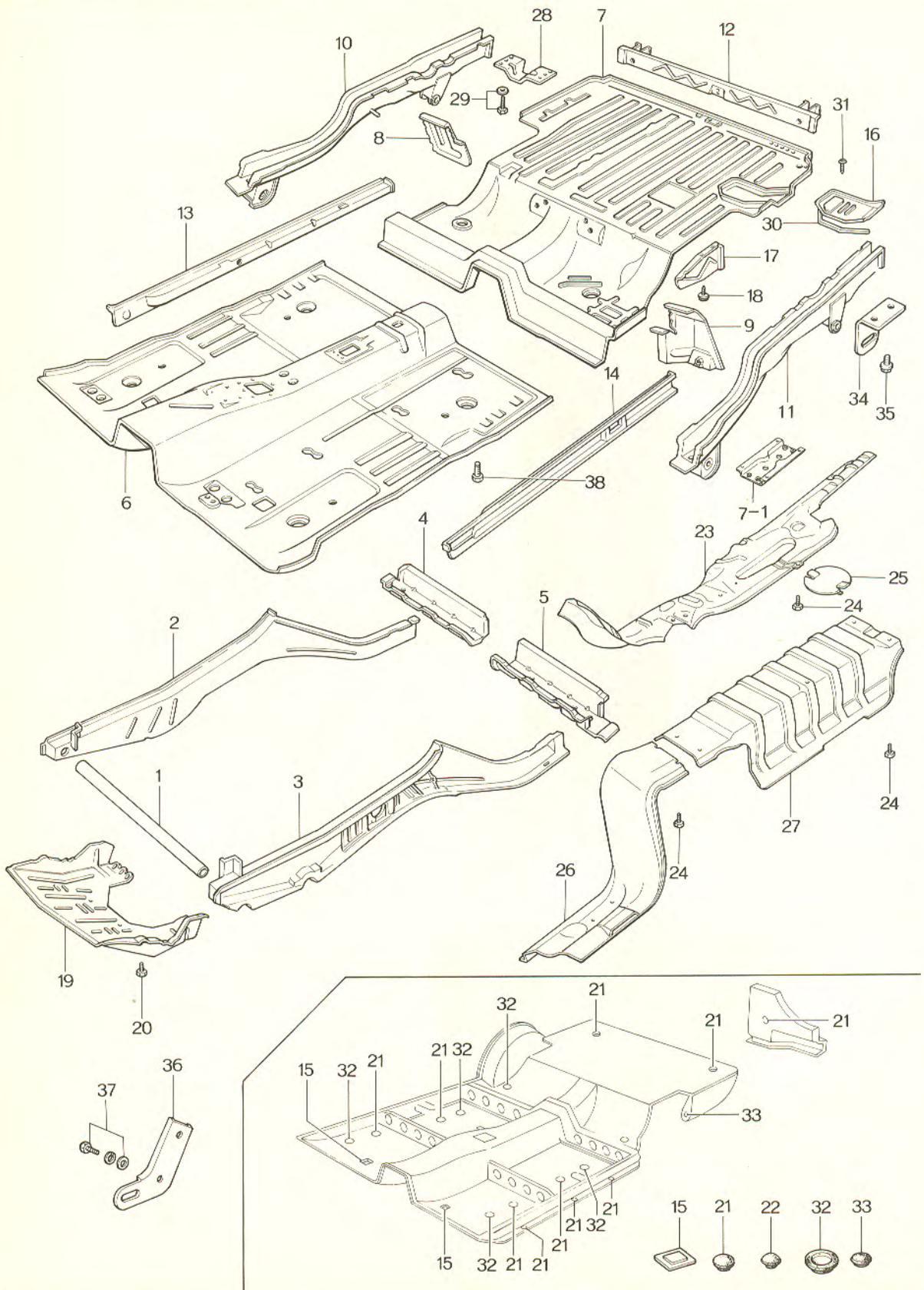


BODY PANELS (FLOOR, SEDAN & HARDTOP)

No.	Part Number	Description	Q'ty	Remarks
20	99796 0612	Bolt, Insulator	2	
21	0810 56 639	Cover, Service Hole	4	
22	0866 56 971	Cover, Hole	6	
23	0222 66 971	Rubber, Seal	2	
24	0866 78 521	Hook, Rear	1	
25	99921 1000	Nut, Rear Hook	2	
	99940 1000	Nut, Rear Hook	2	$\frac{7}{8}$ ~ X
	99951 1020	Washer, Plain	2	$\frac{7}{8}$ ~ Discarded
	99951 1022	Washer, Plain	2	$\frac{7}{8}$ ~ Discarded
	99971 1000	Washer, Spring	2	$\frac{7}{8}$ ~ Discarded
26	0866 78 530	Reinforcement	1	
27	0866 78 541	Hook, Front	1	
	0866 78 541A	Hook, Front	1	$\frac{7}{8}$ ~ O
28	99781 1028	Bolt, Front Hook	2	
	99796 1025	Bolt, Front Hook	2	$\frac{7}{8}$ ~ O
	99951 1022	Washer, Plain	2	
	99952 1030	Washer, Plain	2	$\frac{7}{8}$ ~ Δ
	99971 1000	Washer, Plain	2	$\frac{7}{8}$ ~ Discarded
● 29	99786 0612B	Bolt	2	$\frac{7}{8}$ ~ Added Anew



BODY PANELS (FLOOR, WAGON)



BODY PANELS (FLOOR, WAGON)

53

56

No.	Part Number	Description	Q'ty	Remarks
1	1011 53 162	Member No. 1, Cross	1	
2	1011 53 300C	Frame (R), Side-Front	1	
	1011 53 300D	Frame (R), Side-Front	1	$\frac{7}{10}$ ~△
●	1011 53 300E	Frame (R), Side-Front	1	$\frac{7}{10}$ ~△
3	1011 54 300C	Frame (L), Side-Front	1	
	1011 54 300D	Frame (L), Side-Front	1	$\frac{7}{10}$ ~△
●	1011 54 300E	Frame (L), Side-Front	1	$\frac{7}{10}$ ~△
4	1011 53 391B	Box (R), Torque	1	
	1011 53 391C	Box (R), Torque	1	From Car No. 1
5	1011 54 391B	Box (L), Torque	1	
	1011 54 391C	Box (L), Torque	1	From Car No. 1
6	1029 53 600A	Pan, Floor-Front	1	
●	1029 53 600B	Pan, Floor-Front	1	$\frac{7}{10}$ ~△
7	1029 53 700A	Pan, Floor-Rear	1	
●	1029 53 700B	Pan, Floor-Rear	1	$\frac{7}{5}$ ~△
7-1	1029 53 770C	Bracket, Fuel Pump	1	$\frac{7}{5}$ ~ Added Anew
8	1029 53 712B	Shield (R), Splash	1	
9	1029 54 770C	Shield (L), Splash	1	
10	1029 53 810A	Frame (R), Side-Rear	1	
11	1029 54 810B	Frame (L), Side-Rear	1	
	1029 54 810C	Frame (L), Side-Rear	1	$\frac{7}{5}$ ~△
●	1029 54 810D	Frame (L), Side-Rear	1	$\frac{7}{5}$ ~△
12	1029 53 880A	Crossmember, Rear - Inner	1	
13	1011 53 950D	Panel, Side Sill-Inner (R)	1	
14	1011 54 950D	Panel, Side Sill-Inner (L)	1	
●	1011 54 950E	Panel, Side Sill-Inner (L)	1	$\frac{7}{10}$ ~△
15	1011 56 051	Cover, Hole	2	
16	1029 56 061	Cover, Service Hole	1	
	1029 56 061C	Cover, Service Hole	1	From Car No. 1
17	1029 56 071	Protector	1	
	1029 56 071A	Protector	1	From Car No. 1
18	99860 0510	Screw, Protector	4	
	99952 0500	Washer, Plain	4	

BODY PANELS (FLOOR, WAGON)

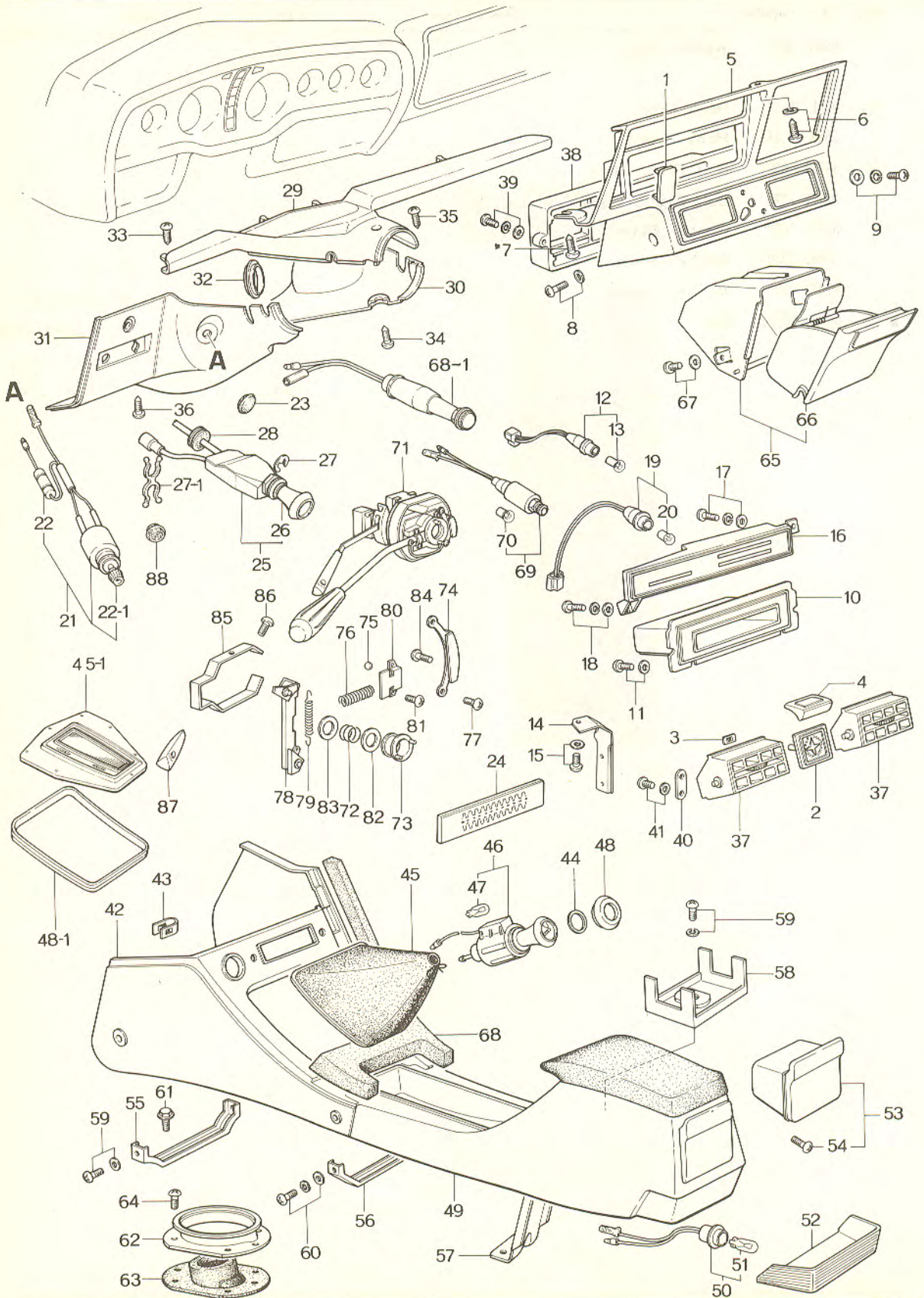
No.	Part Number	Description	Q'ty	Remarks
19	1011 56 111B	Cover, Under	1	
	1011 56 111C	Cover, Under	1	$\frac{7}{8}$ ~○
●	3565 56 111	Cover, Under	1	$\frac{7}{8}$ ~△
20	99786 0616	Bolt, Under Cover	2	
	99952 0618	Washer, Plain	2	
21	0118 56 241	Plug, Drain	12	
22	0118 56 242B	Plug, Drain	2	$\frac{7}{11}$ ~Discarded
23	1029 56 410A	Insulator (Frt.)	1	
	1029 56 410C	Insulator (Frt.)	1	From Car No. 1
●	1029 56 410D	Insulator (Frt.)	1	$\frac{7}{5}$ ~△
●	1029 56 410E	Insulator (Frt.)	1	$\frac{7}{7}$ ~△
●	1029 56 410F	Insulator (Frt.)	1	$\frac{7}{11}$ ~○
24	99786 0612	Bolt, Insulator	10	
	99952 0618	Washer, Plain	10	
25	1029 56 431	Insulator	1	
26	1029 56 461A	Insulator No. 1	1	
27	1029 56 471A	Insulator No. 2	1	
28	1137 56 541B	Hanger, Silencer	1	
29	99786 0816	Screw, Tapping	1	
	99952 0822	Washer, Plain	4	
30	0585 56 902	Tape, Service Hole Cover	1	
31	99868 0408	Screw, Tapping-Service Hole Cover	6	
32	0866 56 971	Cover, Hole	6	
33	0222 66 971	Rubber, Seal	1	
34	1791 56 241	Hook, Rear	1	
35	99786 0825	Bolt, Rear Hook	2	

BODY PANELS (FLOOR, WAGON)

53

56

No.	Part Number	Description	Q'ty	Remarks
	99951 0822	Washer, Plain	2	
36	0866 78 541	Hook, Front	2	
	0866 78 541A	Hook, Front	2	$\frac{7}{8}$ "~○
37	99781 1028	Bolt, Front Hook	2	
	99796 1025	Bolt, Front Hook	2	$\frac{7}{8}$ "~○
	99951 1022	Washer, Plain	2	
	99952 1030	Washer, Plain	2	$\frac{7}{8}$ "~△
	99971 1000	Washer, Spring	2	$\frac{7}{8}$ "~Discarded
● 38	99786 0612B	Bolt	2	$\frac{7}{8}$ "~Added Anew



No.	Part Number	Description	Q'ty	Remarks
1	1011 55 211	Cover, Fog Lamp Switch, (BLK)	2	
2	1011 55 212A	Ornament, Air-Con. Switch	1	
●	1011 55 212B	Ornament, Air-Con. Switch	1	$\frac{73}{11} \sim \triangle$
3	99579 3000	Nut, Speed-Ornament	2	
4	1011 55 213	Guide, Air	2	
5	1708 55 220C	Panel, Center (BRN) - Without Air-Con.	1	
	1708 55 220C 06	Panel, Center (BLU) - Without Air-Con.	1	
	1708 55 220C 07	Panel, Center (GRN) - Without Air-Con.	1	
	1708 55 220D	Panel, Center (BRN) - Without Air-Con.	1	$\frac{74}{4} \sim \times$
	1708 55 220D 06	Panel, Center (BLU) - Without Air-Con.	1	
	1708 55 220D 07	Panel, Center (GRN) - Without Air-Con.	1	
	1734 55 220C	Panel, Center (BRN) - With Air-Con.	1	
	1734 55 220C 06	Panel, Center (BLU) - With Air-Con.	1	
	1734 55 220C 07	Panel, Center (GRN) - With Air-Con.	1	
●	1734 55 220D	Panel, Center (BRN) - With Air-Con.	1	$\frac{74}{4} \sim \times$
●	1734 55 220D 06	Panel, Center (BLU) - With Air-Con.	1	
●	1734 55 220D 07	Panel, Center (GRN) - With Air-Con.	1	
6	99740 0520B	Screw, Center Panel	1	
	99952 0512	Washer, Plain	1	
7	99740 0516B	Screw, Center Panel	1	
8	99799 0516	Screw, Center Panel	1	
	99952 0500	Washer, Plain	1	
9	99863 0516	Screw, Center Panel	1	
	99952 0500	Washer, Plain	1	
	99971 0500	Washer, Spring	1	
10	1010 55 231A	Ornament (BLK)	1	(Without Stereo)
11	99868 0412	Screw, Tapping	2	
	99864 0408	Screw, Tapping	2	
	99952 0400	Washer, Plain	2	
				$\frac{73}{11} \sim \circ$
				$\frac{73}{11} \sim$ Discarded
12	1011 55 240	Bulb & Socket (With Air-Con.)	1	
13	99701 6030	Bulb (3.4W)	1	

No.	Part Number	Description	Q'ty	Remarks
14	1708 55 250	Bracket, Center Panel	1	
15	99837 0514B	Screw, Center Panel Bracket	1	
	99967 0500B	Washer	1	
16	1708 55 270	Panel, Decoration (BLK)	1	
	1708 55 270A	Panel, Decoration (BLK)	1	From Car No. 1
	1708 55 270B	Panel, Decoration (BLK)	1	$\frac{73}{12}$ ~ Δ
17	99868 0412	Screw, Decoration Panel	1	} (Without Air-Con.) $\frac{73}{12}$ ~ Discarded
	99952 0400	Washer, Plain	1	
	99971 0400	Washer, Spring	1	
18	99868 0416	Screw, Decoration Panel	1	
	99952 0400	Washer, Plain	1	
	99971 0400	Washer, Spring	1	
●	99865 0408	Screw, Decoration (With Air-Con.)	2	$\frac{73}{12}$ ~ Added Anew
19	1011 55 280	Bulb & Socket, Decoration Panel	1	} (Without Air-Con.)
20	99701 6030	Bulb	1	
21	1011 55 490C	Resistor, Panel Light Control	1	
22	1011 55 660A	Holder, Fuse	1	
●	22-1 1011 60 241A	Knob	1	From Car No. 1
23	0820 55 951-00	Cover, Hole (BLK)	1	
24	0398 68 875-00	Ornament, Stereo (BLK) - Without Stereo	1	
25	1757 60 050A	Wire, Choke (Manual)	1	
●	1758 60 050	Wire, Choke (Automatic)	1	
●	3565 60 050	Wire, Choke (For U.S.A.)	1	$\frac{74}{10}$ ~ X
●	3587 60 050	Wire, Choke (Manual)	1	} (For Canada) $\frac{74}{11}$ ~ X
●	3589 60 050	Wire, Choke (Automatic)	1	

No.	Part Number	Description	Q'ty	Remarks
26	1757 60 053	Knob	1	
27	99575 1200	Ring, Snap-Choke Wire	1	
27-1	99288 0808	Clip, Choke Wire	1	$\frac{73}{12}$ ~ Added Anew
28	0305 60 052A	Grommet, Choke Wire	1	
29	1708 60 210	Cover, Column-Upper (BRN)	1	
	1708 60 210-06	Cover, Column-Upper (BLU)	1	
	1708 60 210-07	Cover, Column-Upper (GRN)	1	
30	1708 60 221A	Cover (R) (BRN)	1	
	1708 60 221A06	Cover (R) (BLU)	1	
	1708 60 221A07	Cover (R) (GRN)	1	
31	1708 60 231	Cover (L) (BRN)	1	
	1708 60 231-06	Cover (L) (BLU)	1	
	1708 60 231-07	Cover (L) (GRN)	1	
●	1708 60 231B	Cover (L) (BRN)	1	$\frac{74}{10}$ ~ Δ
●	1708 60 231B06	Cover (L) (BLU)	1	
●	1708 60 231B07	Cover (L) (GRN)	1	
	32 1011 60 261	Holder, Key Cylinder	1	
	33 99831 0512B	Screw, Column Cover	2	
	34 99740 0512B	Screw, Column Cover	2	
	35 99740 0516B	Screw, Column Cover	5	
	36 99863 0516	Screw, Column Cover	1	
	37 1011 61 152	Grille, Ventilator (BLK)	2	
●	1011 61 152A	Grille, Ventilator (BLK)	2	$\frac{74}{4}$ ~ \times
	38 1011 61 155A	Joint, Duct	1	
	39 99868 0420	Screw, Duct Joint	3	
	99952 0400	Washer, Plain	3	
	99971 0400	Washer, Spring	3	
	40 0866 61 552	Holder, Grille	4	
	41 99868 0412	Screw, Grille Holder	8	

When ordering the following Consoles,

add colour code nos. given below after parts number.

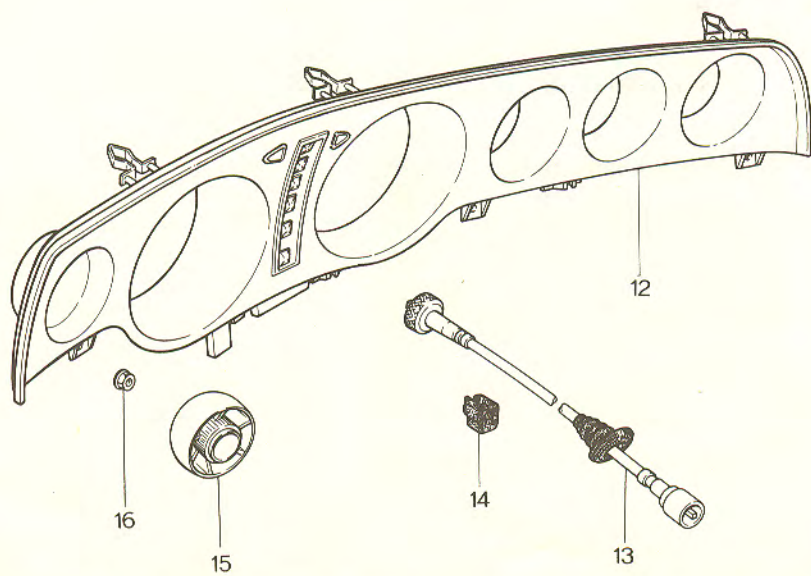
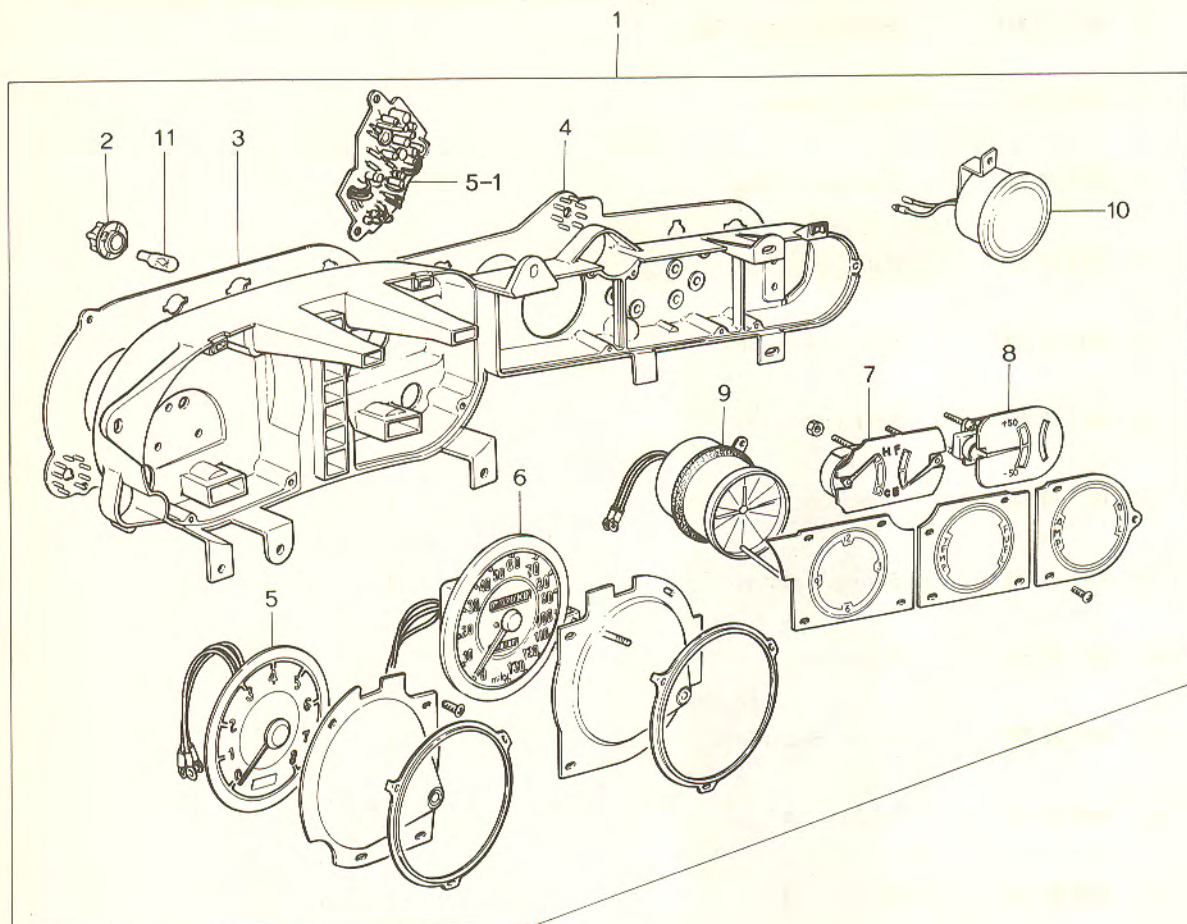
-05 (BRN) -06 (BLU) -07 (GRN)

No.	Part Number	Description	Q'ty	Remarks
42	1708 64 310 A 00	Console, Front (BLK)	1	(U.S.A.)
	1710 64 310 A ©	Console, Front	1	
	1734 64 310 A 00	Console, Front (BLK)	1	
	1734 64 380 A	Console, Front (BRN)	1	
	1734 64 380 A 06	Console, Front (BLU)	1	
	1734 64 380 A 07	Console, Front (GRN)	1	
	1744 64 310 B 00	Console, Front (BLK)	1	
	1746 64 310 A ©	Console, Front	1	
	1746 64 310 B ©	Console, Front	1	
	1767 64 310 A	Console, Front (BLK)	1	
	1769 64 310 A	Console, Front (BRN)	1	
	1769 64 310 A 06	Console, Front (BLU)	1	
	1769 64 310 A 07	Console, Front (GRN)	1	
	1707 64 320	Console, Front (BLK)	1	
	1707 64 390 ©	Console, Front	1	
	1768 64 320	Console, Front (BLK)	1	
	1770 64 320 ©	Console, Front	1	
43	0820 56 905	Nut, Spring	1	
44	0305 60 715	Shield, Heat	1	
45	1708 64 331	Boot, Change (U.S.A.)	1	(Manual)
	1744 64 331 A	Boot, Change (Canada)	1	
45-1	1707 64 340-00	Indicator (BLK)	1	(Automatic)
	1707 64 340-05	Indicator (BRN)	1	
	1707 64 340-06	Indicator (BLU)	1	
	1707 64 340-07	Indicator (GRN)	1	
●	1707 64 340A 00	Indicator (BLK)	1	
●	1707 64 340A 05	Indicator (BRN.)	1	
●	1707 64 340A 06	Indicator (BLU)	1	$\frac{7}{16} \sim \Delta$
●	1707 64 340A 07	Indicator (GRN)	1	
46	1114 66 250	Lighter, Cigar (Fig. No. 47 included)	1	
47	99702 1030	Bulb, Cigar Lighter	1	
48	0370 75 622	Protector	1	
● 48-1	1708 64 332	Moulding - Change	1	

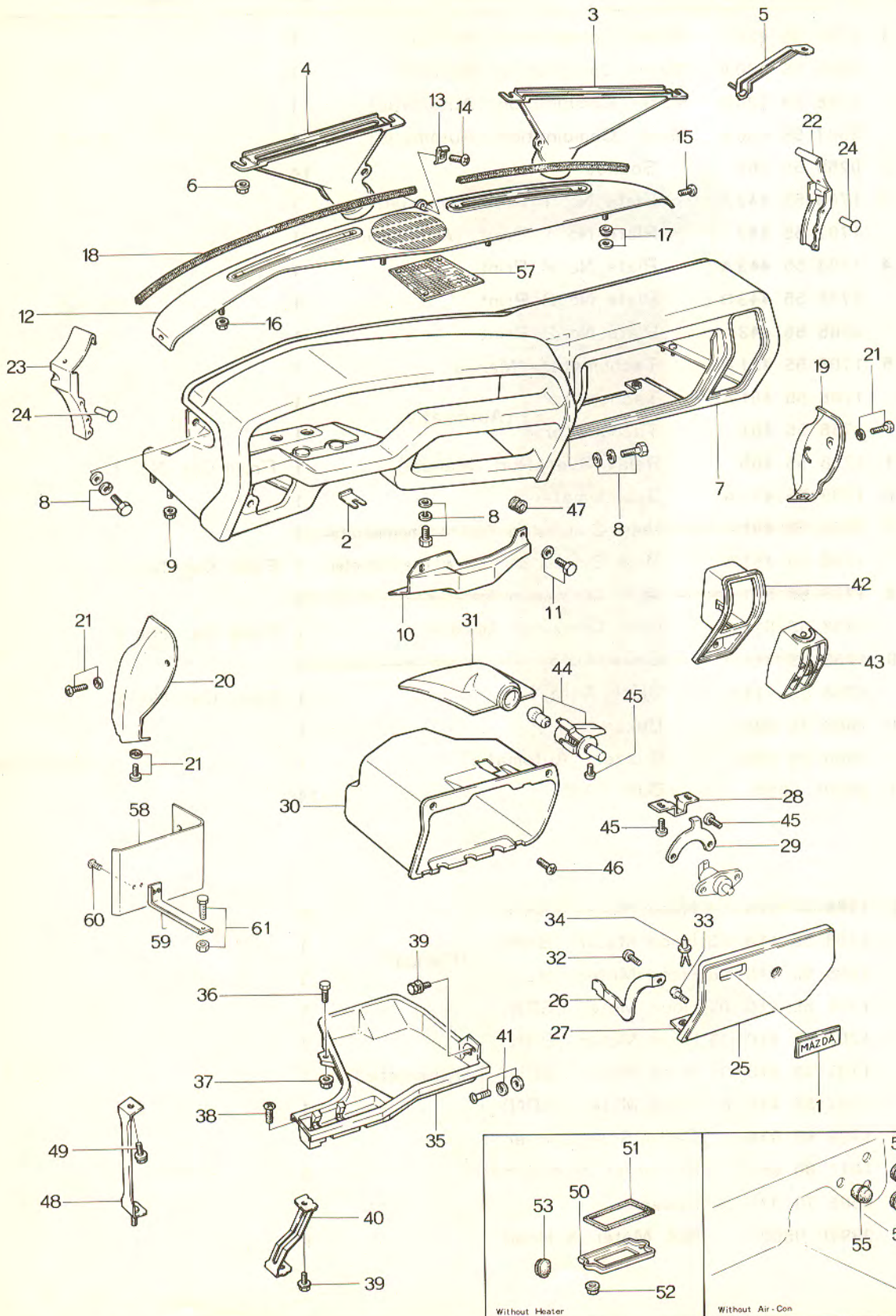
No.	Part Number	Description	Q'ty	Remarks
49	1708 64 410-00	Console, Rear (BLK)	1	
	1710 64 410A ©	Console, Rear	1	
50	1011 55 240	Bulb & Socket (Fig. No. 52 included)	1	
51	99701 8030	Bulb, Step Lamp	1	
52	1011 64 441	Lens, Step Lamp	1	
53	0886 68 250-01	Tray, Ash-Rear (BLK)	1	
	1013 64 250 ©	Tray, Ash-Rear	1	
54	99833 0410	Screw, Ash Tray	2	
	99952 0400	Washer, Plain	2	
	99971 0400	Washer, Spring	2	
55	1708 64 350	Bracket, Console-Front	1	
56	1708 64 360	Bracket, Console-Rear	1	
57	1011 64 370	Bracket, Console-Rear	1	
58	1011 64 465	Catch, Belt	1	
59	99832 0525B	Screw, Console & Belt Catch	3	
	99952 0822A	Washer, Plain	2	
	99967 0500B	Washer	3	
60	99832 0525B	Screw, Console	3	
	99967 0500B	Washer, Plain	3	

No.	Part Number	Description	Q'ty	Remarks
	99951 0618B	Washer, Plain	3	
61	99786 0612	Bolt, Console Bracket	4	
62	1011 64 491	Seat, Boot	1	
63	1011 64 492A	Insulator	1	} (Manual)
64	99865 0512	Screw, Boot Seat	6	
65	1708 64 620	Tray, Ash-Front (BRN)	1	
	1708 64 620-06	Tray, Ash-Front (BLU)	1	
	1708 64 620-07	Tray, Ash-Front (GRN)	1	
66	1011 64 640B05	Tray, Ash-Inner (BRN)	1	
	1011 64 640C05	Tray, Ash-Inner (BRN)	1	$\frac{73}{12} \sim \Delta$
	1011 64 640C06	Tray, Ash-Inner (BLU)	1	$\frac{73}{12} \sim \Delta$
	1011 64 640C07	Tray, Ash-Inner (GRN)	1	$\frac{73}{12} \sim \Delta$
67	99833 0510	Screw, Front Ash Tray	2	
●	99830 0510	Screw, Front Ash Tray	2	$\frac{74}{1} \sim \circ$
	99952 0500	Washer, Plain	2	
68	1708 64 500-00	Pad, Console (BLK)	1	
	1710 64 500 ©	Pad, Console	1	
●	68-1 1052 64 910A	Lamp, Warning-Check (For U.S.A.)	1	$\frac{74}{10} \sim$ Added Anew
	69 1757 64 910	Lamp, Warning-Heat	1	
	1742 64 910	Lamp, Warning-Heat	1	$\frac{74}{5} \sim \circ$
●	3514 64 910	Lamp, Warning-Heat	1	$\frac{74}{11} \sim \times$
70	99701 1030	Bulb	1	
71	1708 66 110	Switch, Combination	1	
●	1742 66 110	Switch, Combination	1	$\frac{75}{1} \sim \Delta$

No.	Part Number	Description	Q'ty	Remarks
72	0317 60 252	Spring, Cancel Cam	1	
73	0317 60 253	Cam, Cancel	1	
74	0317 60 254	Bracket, Fixing	1	
75	0317 60 255	Ball	1	
76	0317 60 256	Spring, Arm Set	1	
77	0317 60 257	Screw, Bracket	2	
78	0317 60 258	Arm	1	
79	0317 60 259	Spring, Ratchet	1	
80	0317 60 261	Plate, Set	1	
81	0317 60 262	Screw, Set Plate	2	
82	0866 60 263	Washer "A"	1	
83	0866 60 264	Washer "B"	1	
84	0317 60 266	Screw, Tapping	2	
85	1011 66 111	Bracket	1	
86	1011 66 112	Screw, Bracket	4	
87	1011 66 121	Knob, Light (BLK)	1	
88	0222 66 971	Rubber, Seal	1	



No.	Part Number	Description	Q'ty	Remarks
1	1757 55 430 C	Meter, Combination (Manual)	1	
●	3565 55 430 A	Meter, Combination (Manual)	1	$\frac{7}{11} \sim \times$
	1758 55 430 B	Meter, Combination (Automatic)	1	
●	3567 55 430 A	Meter, Combination (Automatic)	1	$\frac{7}{11} \sim \times$
2	0259 55 261	Socket	14	
3	1708 55 442 A	Plate No. 1, Print (Manual)	1	
	1707 55 442	Plate No. 1, Print (Automatic)	1	
4	1708 55 443 A	Plate No. 2, Print	1	
	1708 55 443 B	Plate No. 2, Print	1	$\frac{7}{10} \sim \Delta$
●	3565 55 443	Plate No. 2, Print	1	$\frac{7}{10} \sim \times$
5	1708 55 461 A	Tachometer (Manual)	1	
●	1708 55 461 A	Tachometer	1	$\frac{7}{3} \sim \Delta$
	1758 55 461	Tachometer } (Automatic)	1	
● 5-1	1708 55 465	Relay, Over Run (Manual)	1	From Car No. 1
6	1739 55 471 A	Speedometer	1	
7	1708 55 491	Meter, Combination-Fuel & Thermometer	1	
	1708 55 491 A	Meter, Combination-Fuel & Thermometer	1	From Car No. 1
8	1708 55 511	Meter, Combination-Ammeter	1	
	1708 55 511 A	Meter, Combination-Ammeter	1	From Car No. 1
9	1708 55 711	Clock, Auto	1	
	1708 55 711 A	Clock, Auto	1	From Car No. 1
10	1568 75 029	Buzzer	1	
●	1568 75 029	Buzzer (Automatic)	1	$\frac{7}{2} \sim$ Discarded
11	99701 6030	Bulb (3 W)	14	
12	1708 55 410	Hood, Meter (BRN)	1	
	1708 55 410-05	Hood, Meter (BRN)	1	} (Manual)
	1708 55 410-06	Hood, Meter (BLU)	1	
	1708 55 410-07	Hood, Meter (GRN)	1	
	1707 55 410-05	Hood, Meter (BRN)	1	} (Automatic)
	1707 55 410-06	Hood, Meter (BLU.)	1	
	1707 55 410-07	Hood, Meter (GRN)	1	
13	1708 60 070	Cable, Speedometer	1	
14	1011 60 081	Protector, Speedometer	3	
15	0866 70 371	Louver	1	
16	99940 0502	Nut, Meter & Hood	8	



CRUSH PAD & GLOVE POCKET

60

64

No.	Part Number	Description	Q'ty	Remarks
1	1727 51 731	Ornament (MAZDA)	1	
2	0866 55 218	Shim, Adjust-Steering, Selective use	2	
3	1011 60 120	Nozzle (R), Defroster	1	
4	1011 60 140	Nozzle (L), Defroster	1	
5	1011 60 150	Bracket, Defroster Nozzle	1	
6	99940 0502	Nut, Defroster	7	
7	1708 60 350C00 Pad, Crush (BLK)	} Selective use	1	
	1710 60 350C05 Pad, Crush (BRN)		1	
●	1710 60 350C06 Pad, Crush (BLU)		1	
●	1710 60 350C07 Pad, Crush (GRN)		1	
8	99786 0620	Bolt, Crush Pad	6	
	99952 0618	Washer, Plain	6	
	99951 0822	Washer, Plain	6	
9	99940 0602	Nut, Crush Pad	4	
● 10	1708 60 590A	Junction, Instrument Frame	1	
11	99794 0516	Bolt, Junction	4	
●	99786 0512	Bolt, Junction	4	3/4 ~ Δ
	99951 0822	Washer, Plain	4	
12	1708 60 720-00 Garnish, Upper (BLK)	} Selective use	1	
	1708 60 720-05 Garnish, Upper (BRN)		1	
●	1708 60 720-06 Garnish, Upper (BLU)		1	
●	1708 60 720-07 Garnish, Upper (GRN)		1	
13	99896 0500	Nut, Spring-Garnish	2	
14	99864 0520B	Screw, Garnish	1	
15	99861 0516B	Screw, Tapping-Garnish	2	

No.	Part Number	Description	Q'ty	Remarks
16	99940 0502	Nut, Garnish	4	
17	1011 60 725	Spacer	8	
●	1011 60 725A	Spacer	8	From Car No. 1
	99952 0500	Washer, Plain	8	
18	1011 60 731	Rubber, Seaming	1	
19	1708 60 771-00	Garnish (R) (BLK)	1	} Selective use
	1710 60 771-05	Garnish (R) (BRN)	1	
20	1708 60 781-00	Garnish (L) (BLK)	1	} Selective use
	1710 60 781-05	Garnish (L) (BRN)	1	
21	99861 0516B	Screw, Tapping - Garnish	4	
	99987 0500B	Washer	2	
22	1011 60 772A	Cover (R)	1	
23	1011 60 782A	Cover (L)	1	
24	99264 0531B	Rivet, Cover	8	
25	1011 64 030B00	Lid, Glove (BLK)	1	} Selective use
	1013 64 030B05	Lid, Glove (BRN)	1	
	1013 64 030B06	Lid, Glove (BLU)	1	
	1013 64 030B07	Lid, Glove (GRN)	1	
26	1011 64 043A	Stopper	1	
27	1011 64 071C	Hinge	1	
28	1011 64 101	Striker	1	

CRUSH PAD & GLOVE POCKET

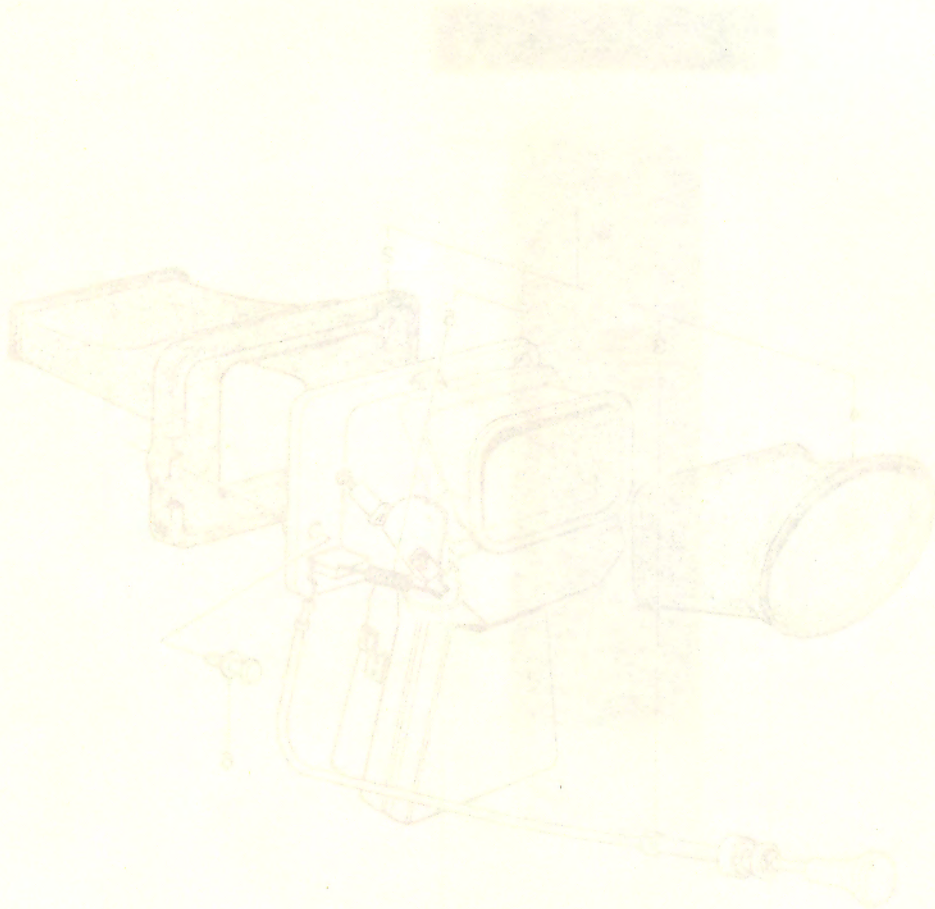
60

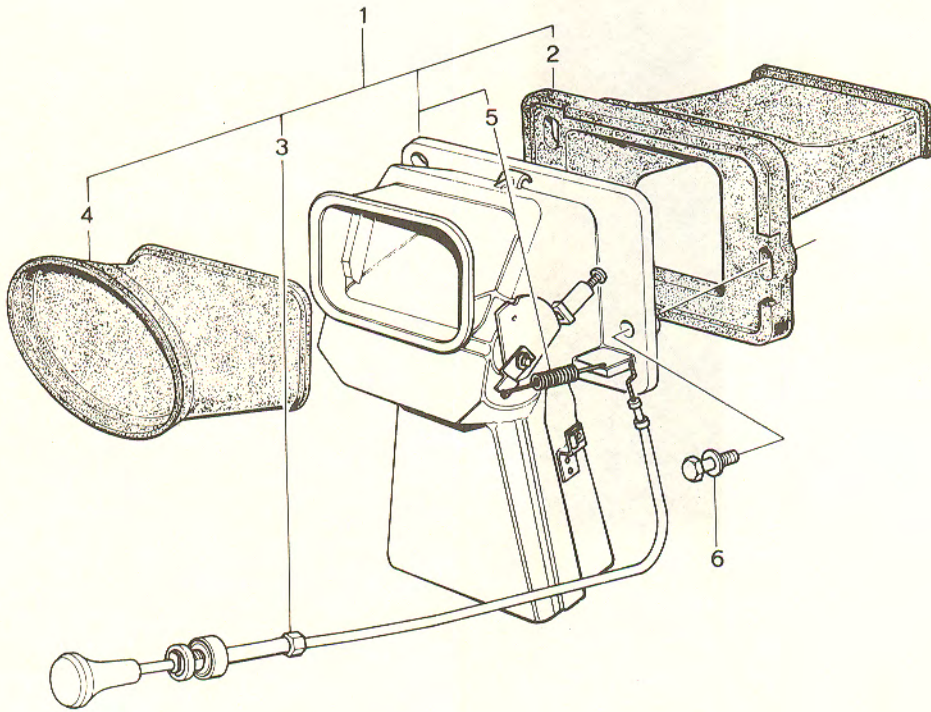
64

No.	Part Number	Description	Q'ty	Remarks
29	1727 64 111	Guide, Lock	1	
30	1708 64 161	Tray, Glove (BLK)	1	
31	1011 64 162A	Cover, Lamp	1	
32	99831 0508B	Screw, Stopper & Hinge	6	
33	99831 0510B	Screw, Hinge	4	
34	1011 64 181A00	Fastener, Glove Lid (BLK)	3	
35	1708 64 561A	Shelf, Parcel (BLK)	1	} From Car No. 1 ~ Discarded
36	99806 0625	Bolt, Parcel Shelf	1	
37	99940 0602	Nut, Parcel Shelf (Without Air-Con.)	1	
38	99830 0616B	Screw, Parcel Shelf	1	
39	99796 0620B	Bolt, Parcel Shelf	2	
40	1708 64 570	Bracket, Parcel Shelf	1	
41	99838 0620	Screw, With Air-Con.	1	
	99952 0600	Washer, Plain	1	
	99971 0600	Washer, Spring	1	
42	1708 64 881	Panel, Decoration (BLK)	1	
43	1011 64 890A	Louver (BLK)	1	
44	1011 66 590A	Switch & Lamp	1	
45	99830 0516B	Screw, Switch...1, Striker...2, Lock...2	5	
46	99861 0514B	Screw, Glove Tray	2	
●	99862 0516B	Screw, Glove Tray	2	3/4 ~ Δ

CRUSH PAD & GLOVE POCKET

No.	Part Number	Description	Q'ty	Remarks
47	0727 67 151	Grommet	1	
48	1708 64 580	Bracket No.2-Without Heater	1	
49	99838 0620	Screw, With Air-Con	1	
	99971 0600	Washer, Spring	1	
50	0301 61 052A	Plate	1	
51	0301 61 051A	Gasket	1	Without Heater
52	99940 0600	Nut	2	
53	0301 61 055	Grommet	1	
54	0187 53 134	Rubber, Dust Seal	1	Without Air-Con
55	0208 56 615	Plug, Drain	1	
56	1708 61 031	Plug, Hole	1	
57	0866 68 095	Cover, Cloth	1	
● 58	3565 64 951	Cover, Control Box	1	For U.S.A. 7/10~ Added Anew
● 59	3565 64 960	Bracket, Cover	1	
● 60	99740 0512B	Screw, Cover	2	
● 61	99806 0625	Bolt	1	
●	99940 0602	Nut	2	

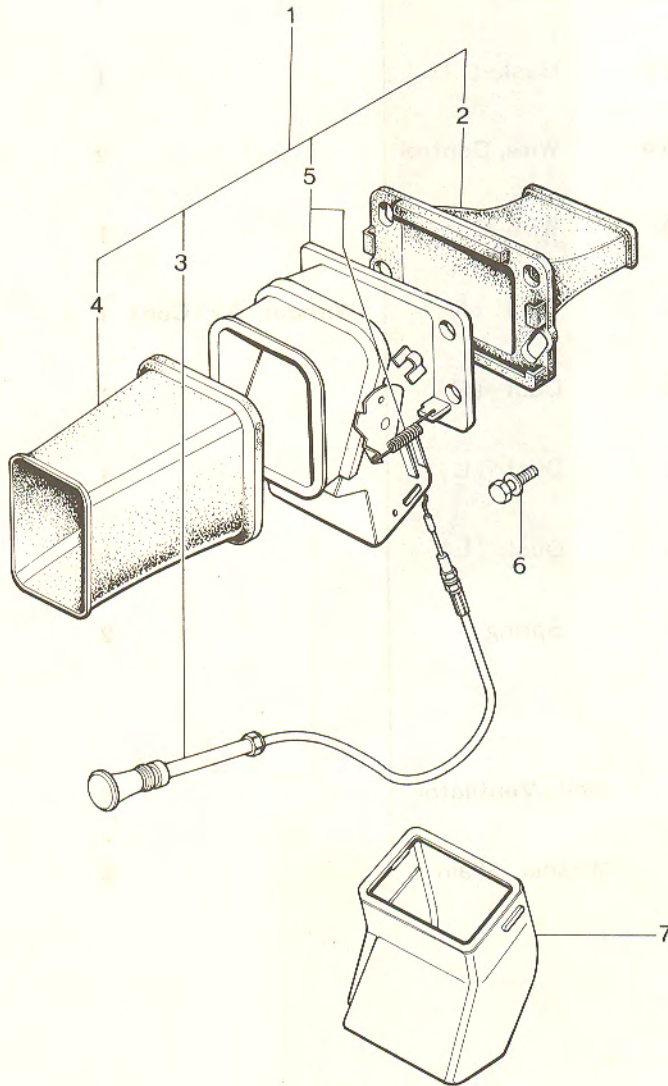




VENTILATOR (USED UP TO $\frac{74}{7}$)

64

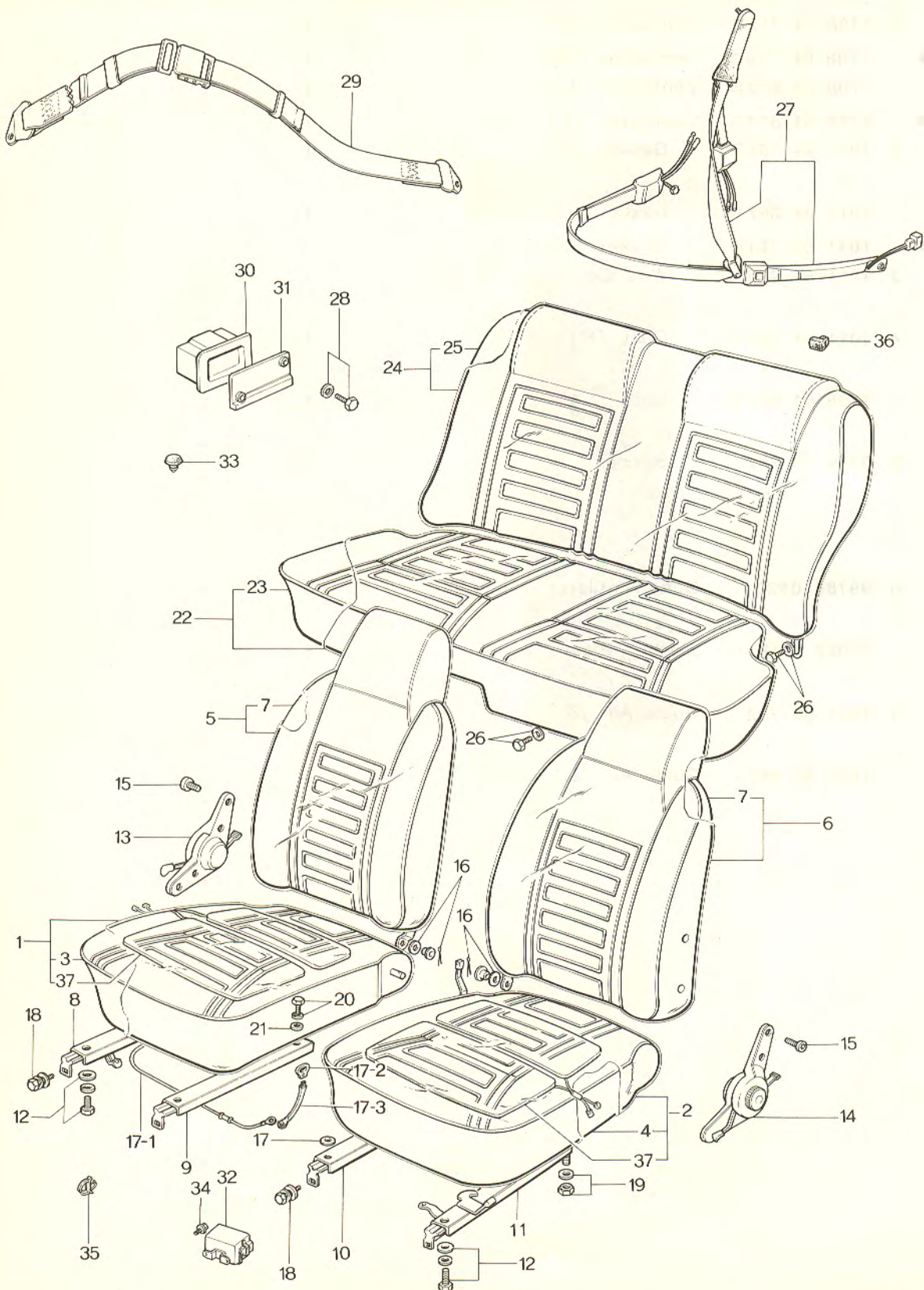
No.	Part Number	Description	Q'ty	Remarks
1	1708 64 710 A	Ventilator (R)	1	
	1734 61 560	Ventilator (R)	1	$\frac{74}{3} \sim \times$
	1708 64 810 A	Ventilator (L)	1	
	1734 61 570	Ventilator (L)	1	$\frac{74}{3} \sim \times$
2	1011 64 761 C	Gasket (R)	1	
	1011 64 861 C	Gasket (L)	1	
3	1011 64 770 A	Wire, Control	2	
	1003 64 770	Wire, Control	1	$\frac{74}{3} \sim \times$
4	1011 64 851	Duct (R) (Without Air-Con)	1	
	1734 61 562	Duct (R)	1	$\frac{74}{3} \sim \times$
	1708 64 851	Duct (L)	1	
	1734 61 572	Duct (L)	1	$\frac{74}{3} \sim \times$
5	0866 70 367	Spring	2	$\frac{74}{3} \sim$ Discarded
6	99786 0620	Bolt, Ventilator	6	
	99952 0618	Washer, Plain	6	



VENTILATOR (USED FROM $\frac{7}{8}$)

64

No.	Part Number	Description	Q'ty	Remarks
1	1708 64 710B	Ventilator (R)	1	
●	1708 64 710C	Ventilator (R)	1	$\frac{7}{10}$ ~△
	1708 64 810B	Ventilator (L)	1	
●	1708 64 810C	Ventilator (L)	1	$\frac{7}{10}$ ~△
2	1011 64 761D	Gasket (R)	1	
	1011 64 861D	Gasket (L)	1	
●	1011 64 761D	Gasket (L)	1	$\frac{7}{5}$ ~×
3	1011 64 770A	Wire, Control	1	
4	1011 64 851A	Duct (R)	1	
	1708 64 851A	Duct (L)	1	
5	0866 70 367	Spring	2	
6	99786 0620	Bolt, Ventilator	6	
	99952 0618	Washer, Plain	6	
7	1011 64 752	Guide, Air (R)	1	
	1011 64 852	Guide, Air (L)	1	

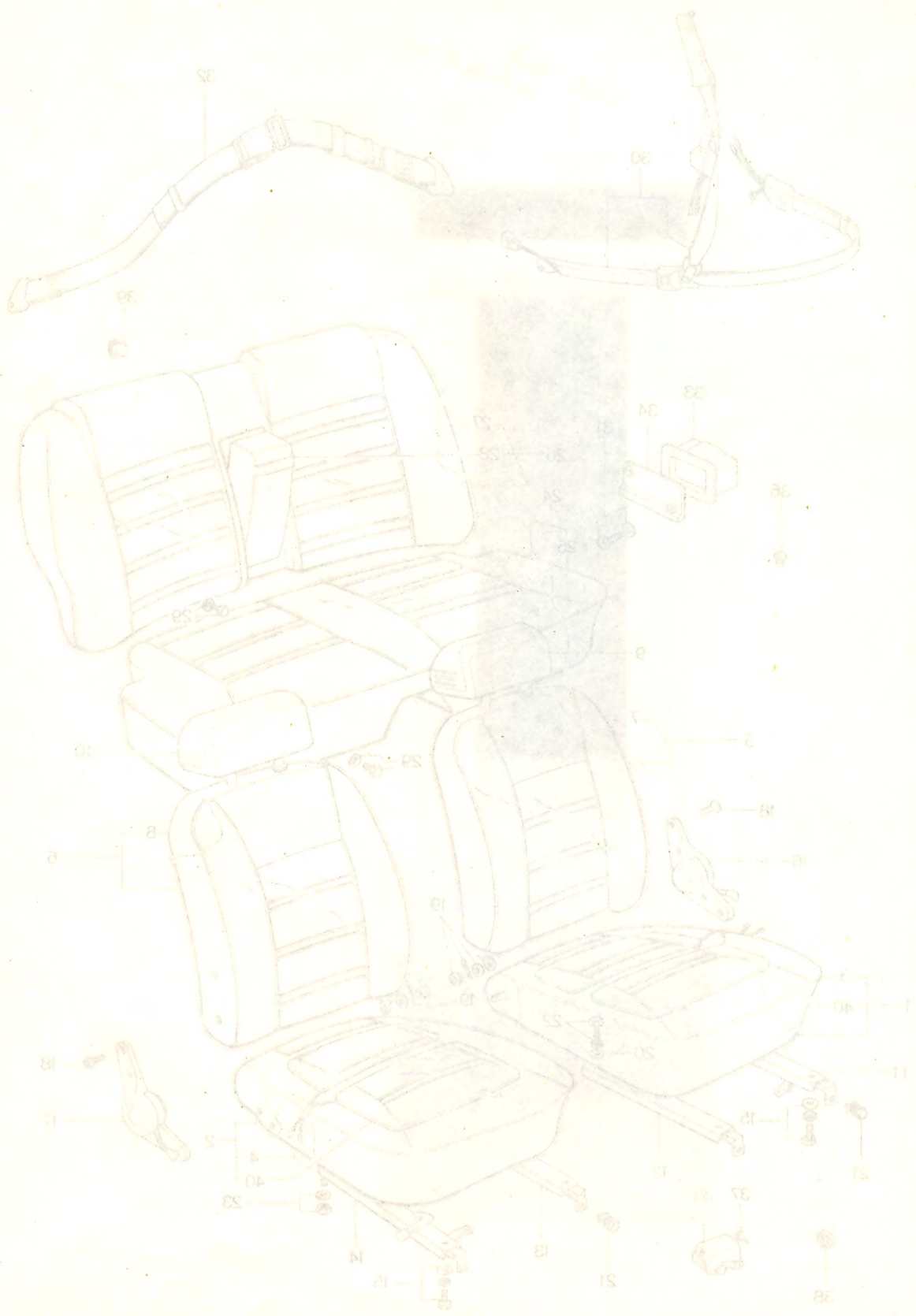


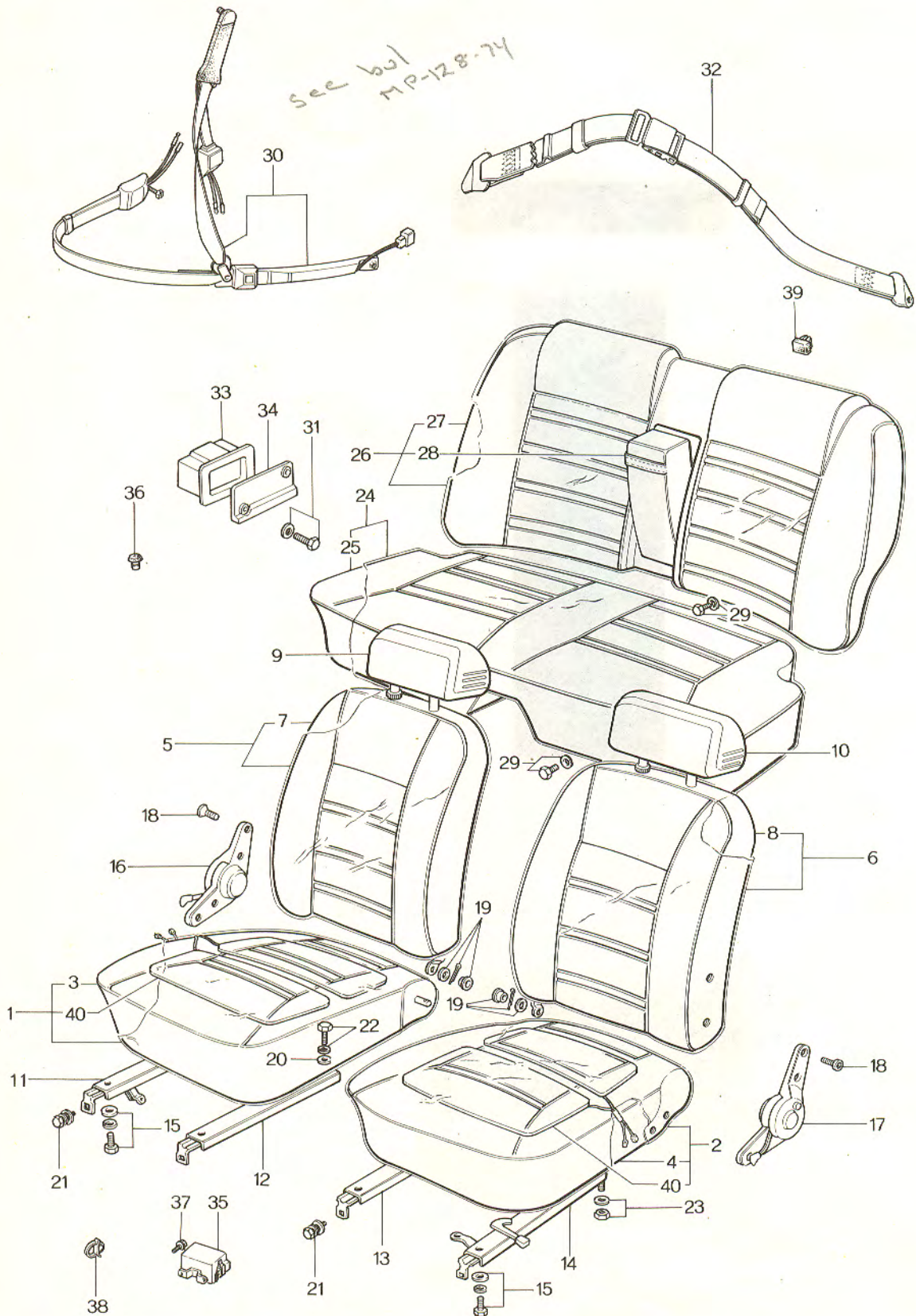
No.	Part Number	Description	Q'ty	Remarks
		When ordering the following Seat & Trim, add colour code nos. given below after parts number		
		-00 (BLK, Vinyl Leather)	-12 (BRN, Vinyl Leather)	
		-08 (GRY / YLW, Vinyl Leather)		
		-11 (BLU, Cloth)	-16 (BRN, Cloth)	-22 (GRN, Cloth)
	1757 57 100 B	© Seat (R), Front (Vinyl Leather)	1	
	1757 57 100 C	© Seat (R), Front (Vinyl Leather)	1	From Car No. 1
	1757 57 300 B	© Seat (R), Front (Cloth)	1	
	1757 57 150 A	© Seat (L), Front (Vinyl Leather)	1	
	1757 57 150 B	© Seat (L), Front (Vinyl Leather)	1	From Car No. 1
	1757 57 350 A	© Seat (L), Front (Cloth)	1	
1	1757 88 110	© Cushion (R), Seat (Vinyl Leather)	1	
	1757 88 110 A	© Cushion (R), Seat (Vinyl Leather)	1	From Car No. 1
	1757 88 310	© Cushion (R), Seat (Cloth)	1	
2	1757 88 160	© Cushion (L), Seat (Vinyl Leather)	1	
	1757 88 360	© Cushion (L), Seat (Cloth)	1	
3	1757 88 111	© Trim (R), Cushion (Vinyl Leather)	1	
	1757 88 311	© Trim (R), Cushion (Cloth)	1	
4	1757 88 161	© Trim (L), Cushion (Vinyl Leather)	1	
	1757 88 361	© Trim (L), Cushion (Cloth)	1	
5	1757 88 130	© Seat (R), Back (Vinyl Leather)	1	
	1757 88 130 A	© Seat (R), Back (Vinyl Leather)	1	From Car No. 1
	1757 88 330	© Seat (R), Back (Cloth)	1	
6	1757 88 180	© Seat (L), Back (Vinyl Leather)	1	
	1757 88 180 A	© Seat (L), Back (Vinyl Leather)	1	From Car No. 1
	1757 88 380	© Seat (L), Back (Cloth)	1	
7	1757 88 131	© Trim, Back Seat (Vinyl Leather)	2	
	1757 88 131 A	© Trim, Back Seat (Vinyl Leather)	2	From Car No. 1

No.	Part Number	Description	Q'ty	Remarks
	1757 88 331 ©	Trim, Back Seat (Cloth)	2	
8	1737 88 102	Adjuster No. 1	1	
9	1011 88 103	Adjuster No. 2	1	
10	1011 88 152	Adjuster No. 3	1	
11	1009 88 153	Adjuster No. 4	1	
12	99801 0820	Bolt, Adjuster	8	
	99952 0816	Washer, Plain	8	
	99971 0800	Washer, Spring	8	
13	1737 88 101	Knuckle (R), Reclining	1	
14	1004 88 151	Knuckle (L), Reclining	1	
15	2155 57 109	Screw, Reclining Knuckle	8	
16	0866 88 106	Washer	2	
	0866 88 105	Bush	2	
	99221 3020	Pin, Split	2	
17	0839 88 064	Spacer	2	
● 17-1	1757 88 165	Cable, Wire	1	7/8~Added Anew
● 17-2	1757 88 166	Handle, Assist	1	
● 17-3	1757 88 167	Bar, Assist	1	
18	99706 08208	Bolt, Front Seat	4	
	99952 0822	Washer, Plain	4	
19	99940 0800	Nut, Front Seat	3	
	99952 0822	Washer, Plain	3	

No.	Part Number	Description	Q'ty	Remarks
20	99785 0825B	Bolt, Front Seat	1	
	99971 0800	Washer, Spring	1	
21	0305 57 011	Washer	1	
	1011 57 022	Washer	1	$\frac{7}{8}$ ~○
22	1757 57 200	◎ Cushion, Rear Seat (Vinyl Leather)	1	
●	1757 57 200A	◎ Cushion, Rear Seat (Vinyl Leather)	1	$\frac{7}{8}$ ~△
	1757 57 400	◎ Cushion, Rear Seat (Cloth)	1	
●	1757 57 400A	◎ Cushion, Rear Seat (Cloth)	1	$\frac{7}{8}$ ~△
23	1757 88 201	◎ Trim, Cushion (Vinyl Leather)	1	
●	1757 88 201A	◎ Trim, Cushion (Vinyl Leather)	1	$\frac{7}{8}$ ~△
	1757 88 401	◎ Trim, Cushion (Cloth)	1	
●	1757 88 401A	◎ Trim, Cushion (Cloth)	1	$\frac{7}{8}$ ~△
24	1757 57 250A	◎ Seat, Rear Back (Vinyl Leather)	1	
	1757 57 450	◎ Seat, Rear Back (Cloth)	1	
25	1757 88 251	◎ Trim, Back Seat (Vinyl Leather)	1	
	1757 88 251A	◎ Trim, Back Seat (Vinyl Leather)	1	From Car No. 1
	1757 88 451	◎ Trim, Back Seat (Cloth)	1	
26	99786 0825B	Bolt, Rear Seat	4	
	0317 57 015	Washer	4	
27	1757 57 900A	Belt, Front Seat	2	
	1757 57 900B	Belt, Front Seat	2	From Car No. 1
	1757 57 900D	Belt, Front Seat	2	$\frac{7}{8}$ ~○
●	1757 57 900E	Belt, Front Seat	2	$\frac{7}{10}$ ~△
28	1011 57 904	Bolt	2	
	99952 1200B	Washer, Plain	2	
29	1755 57 940	Seat Belt No. 1 (R)	1	

No.	Part Number	Description	Q'ty	Remarks
	1755 57 980	Seat Belt No. 2 (L)	1	
30	1011 57 992A	Boot, Dust	2	
31	1008 57 993C	Cover, Hole (R)	1	
	1008 57 993D	Cover, Hole (R)	1	$\frac{3}{16}$ "~ Δ
	1008 57 994C	Cover, Hole (L)	1	
	1008 57 994D	Cover, Hole (L)	1	$\frac{3}{16}$ "~ Δ
32	1757 57 999	G. Sensor, Seat Belt	1	
	1757 57 999A	G. Sensor, Seat Belt	1	From Car No. 1
33	99301 1100	Cap	2	
34	99794 0612	Screw, G. Sensor	2	
35	1011 67 912	Clip	2	
36	1011 57 021	Stopper, Rest Seat	2	From Car No. 1
37	1881 88 120	Switch, Seat	2	From Car No. 1



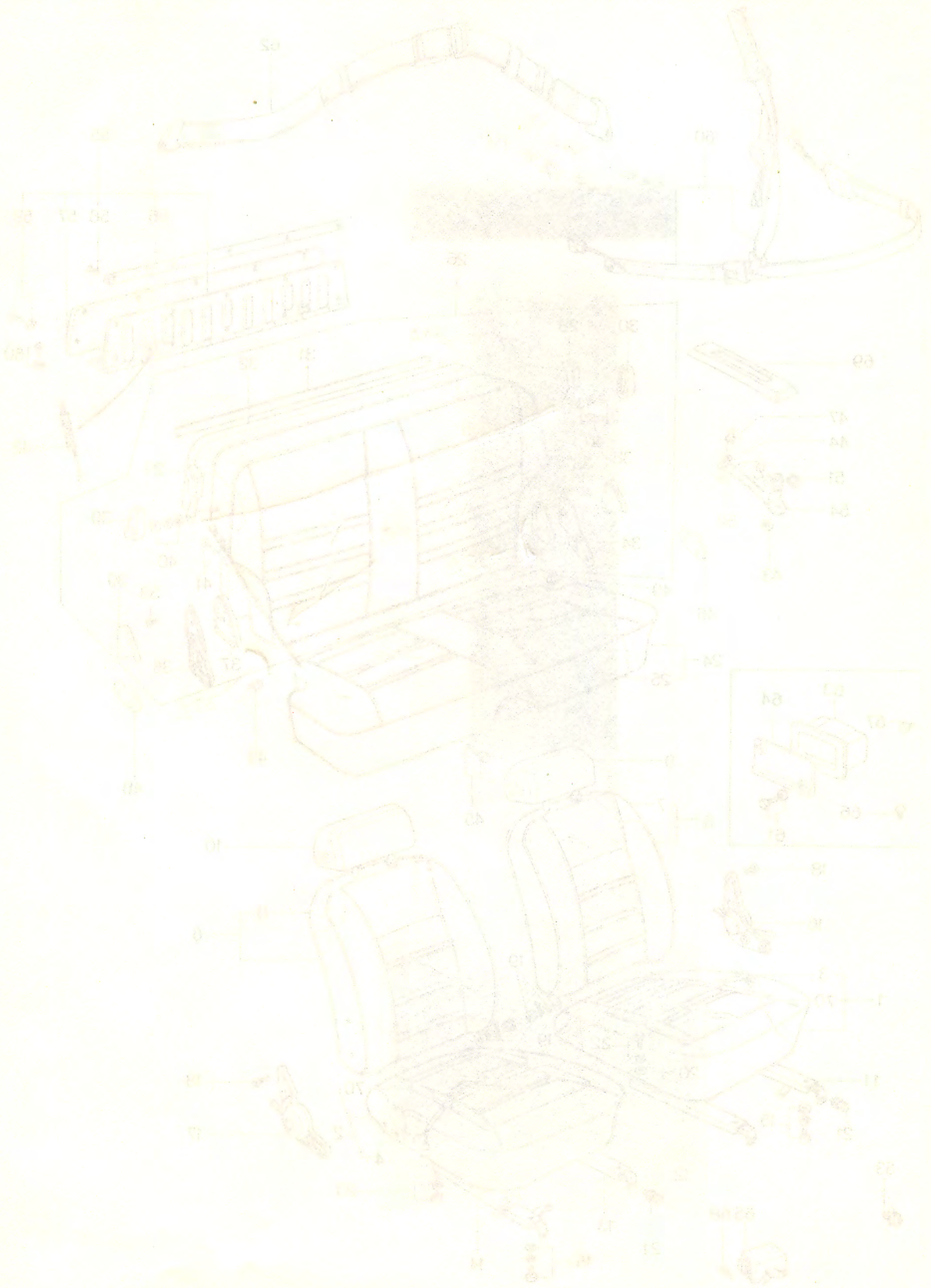


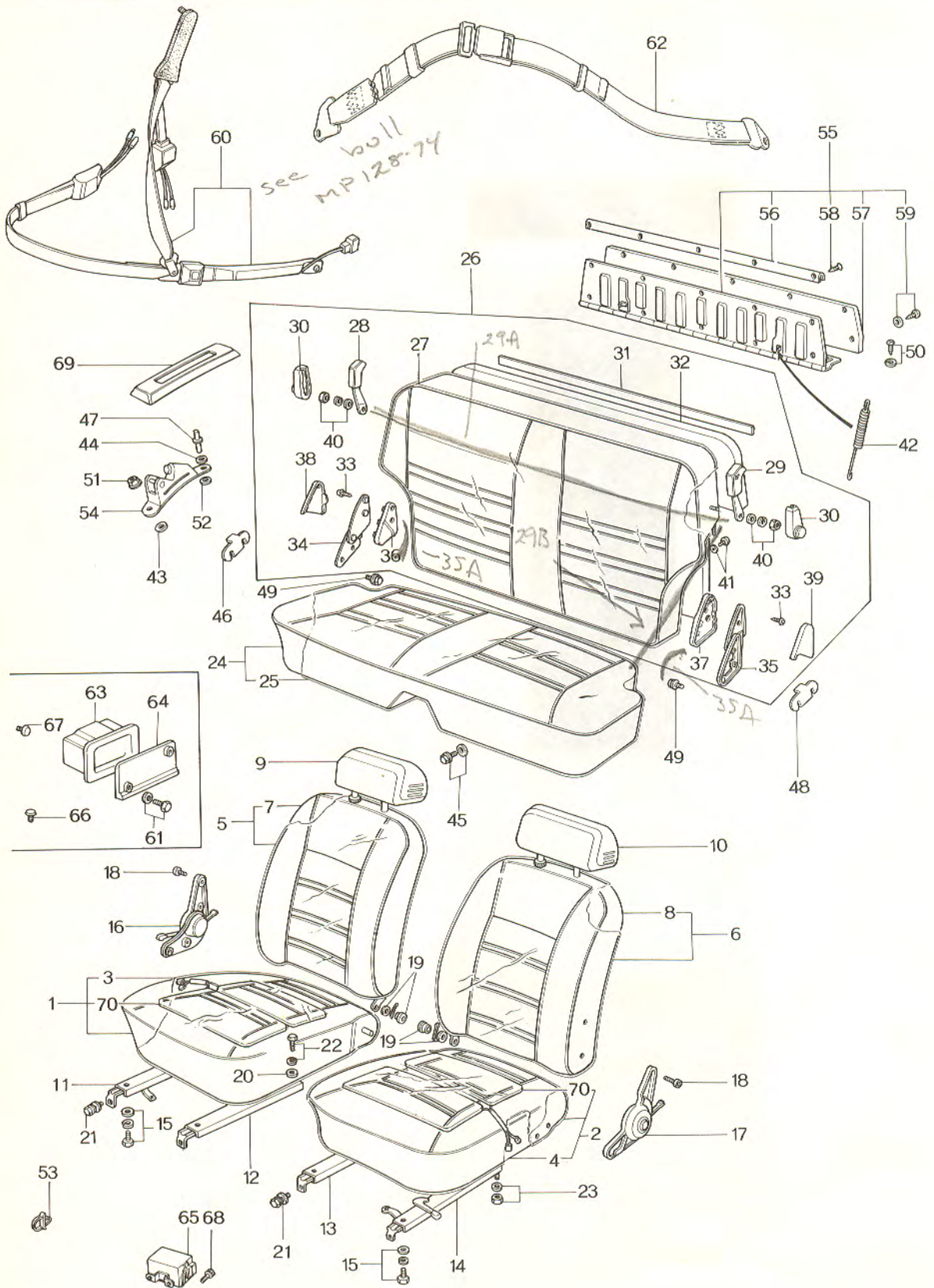
No.	Part Number	Description	Q'ty	Remarks
		When ordering the following Seat & Trim, add colour code nos. given below after parts number		
		-00 (BLK, Vinyl Leather)		
		-01 (BRN, Vinyl Leather)		
		● -12 (BRN, Vinyl Leather)	22 11	From Car No. 1
		-08 (GRY / YLW, Vinyl Leather)		
		-11 (BLU, Cloth) -16 (BRN, Cloth) -22 (GRN, Cloth)		
	1755 57 100A	© Seat (R), Front (Vinyl Leather)	1	
	1755 57 100B	© Seat (R), Front (Vinyl Leather)	1	From Car No. 1
	1755 57 300A	© Seat (R), Front (Cloth)	1	
	1755 57 150A	© Seat (L), Front (Vinyl Leather)	1	
	1755 57 150B	© Seat (L), Front (Vinyl Leather)	1	From Car No. 1
	1755 57 350A	© Seat (L), Front (Cloth)	1	
1	1755 88 110	© Cushion (R), Seat (Vinyl Leather)	1	
	1755 88 310	© Cushion (R), Seat (Cloth)	1	
2	1755 88 160	© Cushion (L), Seat (Vinyl Leather)	1	
	1757 88 360	© Cushion (L), Seat (Cloth)	1	
3	1755 88 111	© Trim (R), Cushion (Vinyl Leather)	1	
	1755 88 311	© Trim (R), Cushion (Cloth)	1	
4	1755 88 161	© Trim (L), Cushion (Vinyl Leather)	1	
	1757 88 361	© Trim (L), Cushion (Cloth)	1	
5	1755 88 130	© Seat (R), Back (Vinyl Leather)	1	
	1755 88 330	© Seat (R), Back (Cloth)	1	
6	1755 88 180	© Seat (L), Back (Vinyl Leather)	1	
	1755 88 380	© Seat (L), Back (Cloth)	1	
7	1755 88 131	© Trim (R), Back Seat (Vinyl Leather)	1	

No.	Part Number	Description	Q'ty	Remarks
	1755 88 331 ©	Trim (R), Back Seat (Cloth)	1	
8	1755 88 181 ©	Trim (L), Back Seat (Vinyl Leather)	1	
	1755 88 381 ©	Trim (L), Back Seat (Cloth)	1	
9	1755 88 104-00	Restraint (R), Head (BLK)	1	
	1755 88 104-08	Restraint (R), Head (GRY / YLW)	1	
	1755 88 104-12	Restraint (R), Head (BRN)	1	
	1755 88 104-11	Restraint (R), Head (BLU)	1	
	1755 88 104-22	Restraint (R), Head (GRN)	1	
10	1755 88 154-00	Restraint (L), Head (BLK)	1	
	1755 88 154-08	Restraint (L), Head (GRY / YLW)	1	
	1755 88 154-12	Restraint (L), Head (BRN)	1	
	1755 88 154-11	Restraint (L), Head (BLU)	1	
	1755 88 154-22	Restraint (L), Head (GRN)	1	
11	1011 88 102	Adjuster No. 1	1	
12	1011 88 103	Adjuster No. 2	1	
13	1011 88 152	Adjuster No. 3	1	
14	1009 88 153	Adjuster No. 4	1	
15	99801 0820	Bolt, Adjuster	8	
	99952 0816	Washer, Plain	8	
	99971 0800	Washer, Spring	8	

No.	Part Number	Description	Q'ty	Remarks
16	1011 88 101	Knuckle (R), Reclining	1	
17	1004 88 151	Knuckle (L), Reclining	1	
18	2155 57 109	Screw, Reclining Knuckle	8	
19	0866 88 105	Bush	2	
	0866 88 106	Washer	2	
	99221 3020	Pin, Split	2	
20	0305 57 011	Washer, Front Seat	1	
	1011 57 022	Washer, Front Seat	1	$\frac{7}{8}$ ~○
21	99786 0820B	Bolt, Front Seat	4	
	99952 0822	Washer, Plain	4	
22	99785 0825B	Bolt, Front Seat	1	
	99971 0800	Washer, Spring	1	
23	99940 0800	Nut, Front Seat	3	
	99952 0822	Washer, Plain	3	
24	1755 57 200A ©	Cushion, Rear Seat (Vinyl Leather)	1	
	1755 57 200C ©	Cushion, Rear Seat (Vinyl Leather)	1	$\frac{7}{2}$ ~○
●	1756 57 200 ©	Cushion, Rear Seat (Vinyl Leather)	1	$\frac{7}{5}$ ~△
	1755 57 400 ©	Cushion, Rear Seat (Cloth)	1	
●	1756 57 400 ©	Cushion, Rear Seat (Cloth)	1	$\frac{7}{5}$ ~△
25	1755 88 201 ©	Trim, Rear Seat Cushion (Vinyl Leather)	1	
	1755 88 201A ©	Trim, Rear Seat Cushion (Vinyl Leather)	1	$\frac{7}{3}$ ~○
●	1756 88 201 ©	Trim, Rear Seat Cushion (Vinyl Leather)	1	$\frac{7}{5}$ ~△
	1755 88 401 ©	Trim, Rear Seat Cushion (Cloth)	1	
●	1756 88 401 ©	Trim, Rear Seat Cushion (Cloth)	1	$\frac{7}{5}$ ~△
26	1755 57 250A ©	Seat, Rear Back (Vinyl Leather)	1	
●	3561 57 250 ©	Seat, Rear Back (Vinyl Leather)	1	$\frac{7}{11}$ ~×

No.	Part Number	Description	Q'ty	Remarks
	1755 57 450	⊙ Seat, Rear Back (Cloth)	1	
●	3561 57 450	⊙ Seat, Rear Back (Cloth)	1	⁷⁴ / ₁₁ ~×
27	1755 88 251A	⊙ Trim, Rear Back Seat (Vinyl Leather)	1	
●	3561 88 251	⊙ Trim, Rear Back Seat (Vinyl Leather)	1	⁷⁴ / ₁₁ ~×
	1755 88 451	⊙ Trim, Rear Back Seat (Cloth)	1	
●	3561 88 451	⊙ Trim, Rear Back Seat (Cloth)	1	⁷⁴ / ₁₁ ~×
28	1755 88 270	⊙ Rest, Arm (Vinyl Leather)	1	
	1755 88 470	⊙ Rest, Arm (Cloth)	1	
29	99786 0825B	Bolt, Rear Seat	4	
	0317 57 015	Washer	4	
30	1881 57 900	Belt, Front Seat	2	
	1881 57 900A	Belt, Front Seat	2	From Car No. 1
	1881 57 900C	Belt, Front Seat	2	⁷⁴ / ₁₁ ~○
●	1881 57 900D	Belt, Front Seat	2	⁷⁴ / ₁₀ ~△
31	1011 57 904	Bolt	2	
	99952 1200B	Washer, Plain	2	
32	1755 57 940	Belt, Seat No. 1	1	
	1755 57 960	Belt, Seat No. 2	1	
33	1011 57 992A	Boot, Dust	2	⁷³ / ₁₁ ~Discarded
34	1008 57 993C	Cover, Hole (R)	1	
	1008 57 993D	Cover, Hole (R)	1	⁷³ / ₁₁ ~△
	1008 57 994C	Cover, Hole (L)	1	
	1008 57 994D	Cover, Hole (L)	1	⁷³ / ₁₁ ~△
35	1757 57 999	"G" Senser, Seat Belt	1	
	1757 57 999A	"G" Senser, Seat Belt	1	From Car No. 1
36	99301 1100	Cap	2	
37	99794 0612	Bolt	2	
38	1011 67 912	Clip	2	
39	1011 57 021	Stopper, Rest Seat	2	From Car No. 1
40	1881 88 120	Switch, Seat	2	From Car No. 1





No.	Part Number	Description	Q'ty	Remarks
		When ordering the following Seat & Trim, add colour code nos. given below after Parts number		
		-00 (BLK, Vinyl Leather)	-12 (BRN, Vinyl Leather)	
		-08 (GRY/YLW, Vinyl Leather)		
		-11 (BLU, Cloth)	-16 (BRN, Cloth)	-22 (GRN, Cloth)
●	1755 57 100A ©	Seat (R), Front (Vinyl Leather)	1	
●	1755 57 100B	© Seat (R), Front (Vinyl Leather)	1	From Car No. 1
●	1755 57 300A	© Seat (R), Front (Cloth)	1	$\frac{74}{5}$ ~ Added Anew
●	1755 57 150A ©	Seat (L), Front (Vinyl Leather)	1	
●	1755 57 150B	© Seat (L), Front (Vinyl Leather)	1	From Car No. 1
●	1755 57 350A	© Seat (L), Front (Cloth)	1	$\frac{74}{5}$ ~ Added Anew
1	1755 88 110	© Cushion (R), Seat (Vinyl Leather)	1	
●	1755 88 310	© Cushion (R), Seat (Cloth)	1	$\frac{74}{5}$ ~ Added Anew
2	1755 88 160	© Cushion (L), Seat (Vinyl Leather)	1	
●	1757 88 360	© Cushion (L), Seat (Cloth)	1	$\frac{74}{5}$ ~ Added Anew
3	1755 88 111	© Trim (R), Cushion (Vinyl Leather)	1	
●	1755 88 311	© Trim (R), Cushion (Cloth)	1	$\frac{74}{5}$ ~ Added Anew
4	1755 88 161	© Trim (L), Cushion (Vinyl Leather)	1	
●	1757 88 361	© Trim (L), Cushion (Cloth)	1	$\frac{74}{5}$ ~ Added Anew
5	1755 88 130	© Seat (R), Back (Vinyl Leather)	1	
●	1755 88 330	© Seat (R), Back (Cloth)	1	$\frac{74}{5}$ ~ Added Anew
6	1755 88 180	© Seat (L), Back (Vinyl Leather)	1	
●	1755 88 380	© Seat (L), Back (Cloth)	1	$\frac{74}{5}$ ~ Added Anew
7	1755 88 131	© Trim (R), Back Seat (Vinyl Leather)	1	
●	1755 88 331	© Trim (R), Back Seat (Cloth)	1	$\frac{74}{5}$ ~ Added Anew
8	1755 88 181	© Trim (L), Back Seat (Vinyl Leather)	1	
●	1755 88 381	© Trim (L), Back Seat (Cloth)	1	$\frac{74}{5}$ ~ Added Anew
9	1755 88 104 - 00	Restraint (R), Head (BLK)	1	
	1755 88 104 - 08	Restraint (R), Head (GRY/YLW)	1	
	1755 88 104 - 12	Restraint (R), Head (BRN)	1	
	1755 88 104 - 11	Restraint (R), Head (BLU)	1	
	1755 88 104 - 22	Restraint (R), Head (GRN)	1	
10	1755 88 154 - 00	Restraint (L), Head (BLK)	1	
	1755 88 154 - 08	Restraint (L), Head (GRY/YLW)	1	
	1755 88 154 - 12	Restraint (L), Head (BRN)	1	

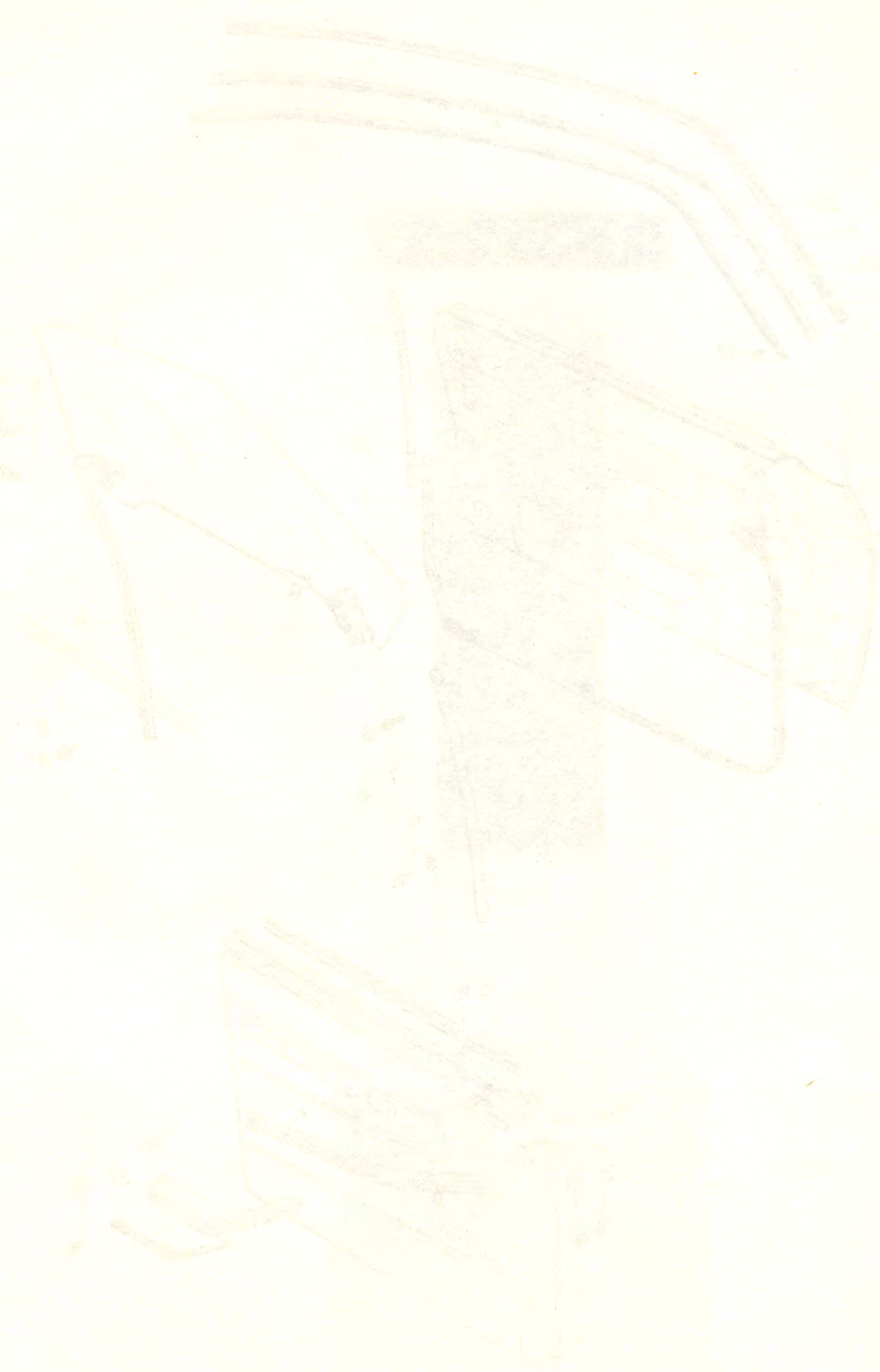
No.	Part Number	Description	Q'ty	Remarks
	1755 88 154-11	Restraint (L), Head (BLU)	1	
	1755 88 154-22	Restraint (L), Head (GRN)	1	
11	1011 88 102	Adjuster No. 1	1	
12	1011 88 103	Adjuster No. 2	1	
13	1011 88 152	Adjuster No. 3	1	
14	1009 88 153	Adjuster	1	
15	99801 0820	Bolt, Adjuster	8	
	99952 0816	Washer, Plain	8	
	99971 0800	Washer, Spring	8	
16	1011 88 101	Knuckle (R), Reclining	1	
17	1004 88 151	Knuckle (L), Reclining	1	
18	2155 57 109	Screw, Reclining Knuckle	8	
19	0866 88 105	Bush	2	
	0866 88 106	Washer	2	
	99221 3020	Pin, Split	2	
20	0305 57 011	Washer, Front Seat	1	
●	1011 57 022	Washer, Front Seat	1	$\frac{3}{8}$ ~○
21	99786 0820B	Bolt, Front Seat	4	
	99952 0822	Washer, Plain	4	
22	99785 0825B	Bolt, Front Seat	1	

No.	Part Number	Description	Q'ty	Remarks
	99971 0800	Washer, Spring	1	
23	99940 0800	Nut, Front Seat	3	
	99952 0822	Washer, Plain	3	
24	1755 57 200 A	© Cushion, Rear Seat (Vinyl Leather)	1	
●	1755 57 200 C	© Cushion, Rear Seat (Vinyl Leather)	1	$\frac{7}{8}$ ~ ○
●	1755 57 400	© Cushion, Rear Seat (Cloth)	1	$\frac{7}{8}$ ~ Added Anew
25	1755 88 201	© Trim, Rear Seat Cushion (Vinyl Leather)	1	
	1755 88 201 A	© Trim, Rear Seat Cushion (Vinyl Leather)	1	$\frac{7}{8}$ ~ ○
	1755 88 401	© Trim, Rear Seat Cushion (Cloth)	1	$\frac{7}{8}$ ~ Added Anew
26	1791 57 250 B	© Seat, Rear Back (Vinyl Leather)	1	
●	1791 57 450	© Seat, Rear Back (Cloth)	1	$\frac{7}{8}$ ~ Added Anew
27	1791 88 251	© Trim, Rear Back (Vinyl Leather)	1	
●	1791 88 451	© Trim, Rear Back (Cloth)	1	$\frac{7}{8}$ ~ Added Anew
28	1029 88 261	Lever (R)	1	
	29B 3493-88-375	<i>cabie</i>	2	
29	1029 88 262	Lever (L)	1	
	29A 3493-88-378	<i>rod</i>	2	
30	1029 88 263	Cover, Lever	2	
31	1029 88 287	Plate, Mat Set	1	
32	1791 88 288 - 00	Mat, Seat Back (BLK) (Vinyl Leather)	1	
	1791 88 288 - 12	Mat, Seat Back (BRN) (Vinyl Leather)	1	
33	1029 88 299	Screw, Hinge Set	1	
34	1029 88 300	Hinge (R)	1	
35	1029 88 310	Hinge (L)	1	
	35A 3493-88-380 R	<i>3493-88-390 Rft</i>		<i>catch see bolt# MP173-74</i>
36	1029 88 321	Hinge Cover, No. 1 (R)	1	
●	1029 88 321 - 00	Hinge Cover, No. 1 (R) (BLK)	1	
●	1029 88 321 - 08	Hinge Cover, No. 1 (R) (GRY / YLW)	1	
●	1029 88 321 - 12	Hinge Cover, No. 1 (R) (BRN)	1	
37	1029 88 322	Hinge Cover, No. 1 (L)	1	
●	1029 88 322 - 00	Hinge Cover, No. 1 (L) (BLK)	1	
●	1029 88 322 - 08	Hinge Cover, No. 1 (L) (GRY / YLW)	1	
●	1029 88 322 - 12	Hinge Cover, No. 1 (L) (BRN)	1	

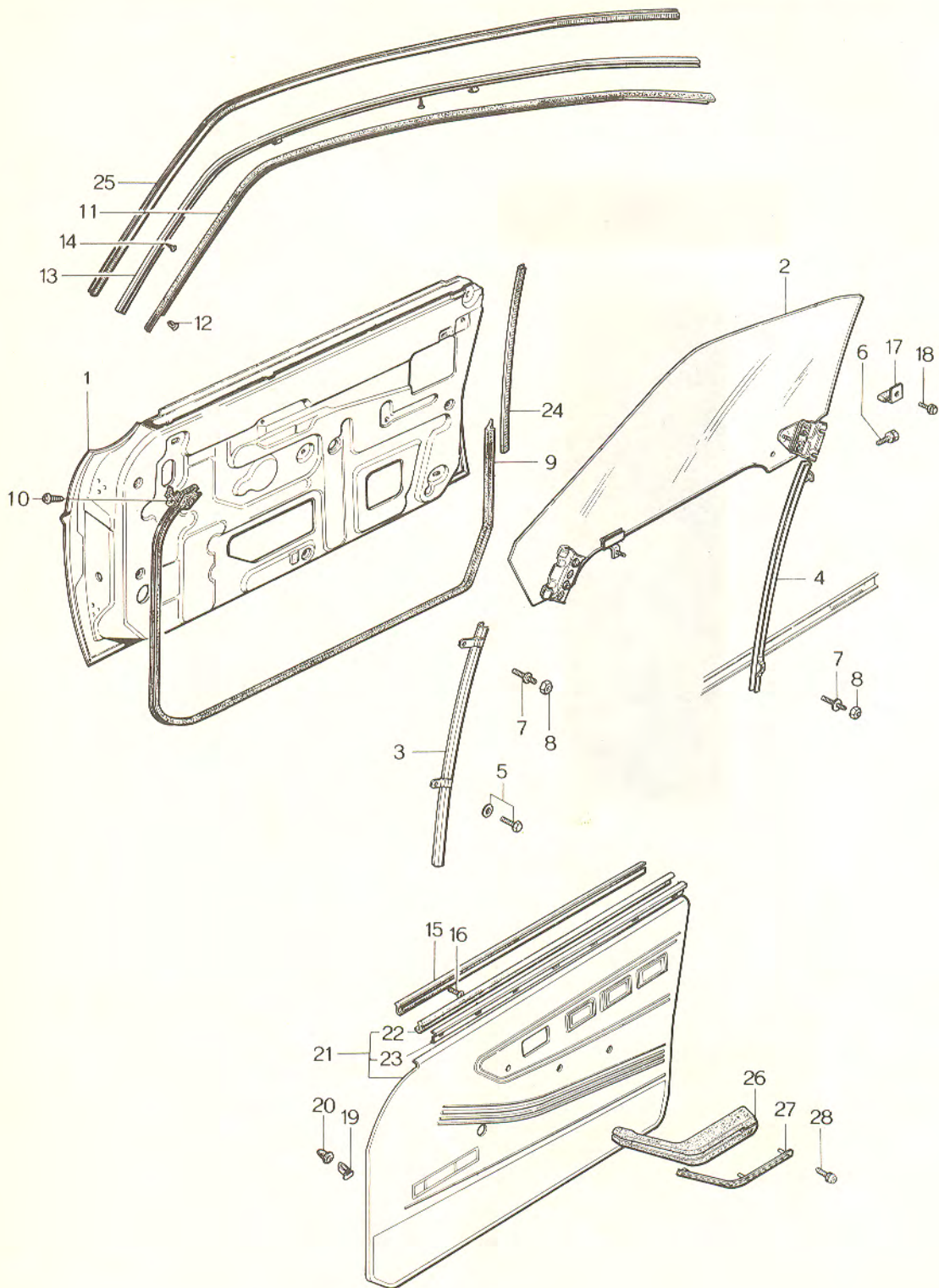
No.	Part Number	Description	Q'ty	Remarks
38	1029 88 325	Hinge Cover, No. 2 (R)	1	
●	1029 88 325-00	Hinge Cover, No. 2 (R) (BLK)	1	
●	1029 88 325-08	Hinge Cover, No. 2 (GRY / YLW)	1	
●	1029 88 325-12	Hinge Cover, No. 2 (R) (BRN)	1	
39	1029 88 326	Hinge Cover, No. 2 (L)	1	
●	1029 88 326-00	Hinge Cover, No. 2 (L) (BLK)	1	
●	1029 88 326-08	Hinge Cover, No. 2 (L) (GRY / YLW)	1	
●	1029 88 326-12	Hinge Cover, No. 2 (L) (BRN)	1	
40	99906 0600	Nut, Lever	2	
	99952 0600	Washer, Plain	2	
	99971 0600	Washer, Spring	2	
41	99862 0412B	Screw, Mat	20	
	99967 0400B	Washer	12	
42	0559 41 671A	Spring, Return-Rear Seat Back	2	
43	2958 44 045	Rubber, Stop-Rear Seat Back Lock	2	
44	0760 57 006	Washer, Rear Seat Back Lock	2	
45	99796 0825B	Bolt	2	
	0371 57 015	Washer, Seat Set	2	
46	1029 57 021	Washer, Adjust (R)	2	
47	1029 57 022	Rivet, Seal	2	
48	1029 57 026	Washer, Adjust (L)	2	
49	99786 0820B	Bolt	4	
	99952 0822	Washer, Plain	4	
50	99864 0530B	Screw, Tapping	7	
	99952 0516B	Washer, Plain	7	

No.	Part Number	Description	Q'ty	Remarks
51	99940 0801	Nut, Flange	2	
52	0305 68 951	Packing	2	
53	1011 67 912	Clip	2	
54	1791 57 040	Lock, Rear Seat Back	2	
	1029 57 040	Lock, Rear Seat Back	2	From Car No. 1
55	1791 57 050	Plate, Junction	1	
	1791 57 050 - 70	Plate, Junction (BLK)	1	
	1791 57 050 - 71	Plate, Junction (BRN)	1	
56	1029 57 054 - 35	Trim (BLK)	1	
57	1790 57 055 - 70	Mat (BLK)	1	
	1791 57 055 - 70	Mat (BLK)	1	
	1790 57 055 - 71	Mat (BRN)	1	
	1791 57 055 - 71	Mat (BRN)	1	
58	99861 0514 B	Screw, Edge Trim	5	
59	99864 0510	Screw, Mat	5	
	99952 0500	Washer, Plain	5	
60	1881 57 900	Belt, Front Seat	2	
	1881 57 900 A	Belt, Front Seat	2	From Car No. 1
	1881 57 900 C	Belt, Front Seat	2	$\frac{74}{1} \sim \bigcirc$
	1881 57 900 D	Belt, Front Seat	2	$\frac{74}{10} \sim \triangle$
61	1011 57 904	Bolt	2	
	99952 1200 B	Washer, Plain	2	
62	1755 57 940	Belt, Seat No. 1	1	
	1757 57 960	Belt, Seat No. 2	1	
	1755 57 960	Belt, Seat No. 2	1	From Car No. 1
63	1011 57 992 A	Boot, Dust	2	$\frac{73}{11} \sim$ Discarded
64	1008 57 993 C	Cover, Hole (R)	1	
	1008 57 993 D	Cover, Hole (R)	1	$\frac{73}{11} \sim \triangle$

No.	Part Number	Description	Q'ty	Remarks
	1008 57 994C	Cover, Hole (L)	1	
	1008 57 994D	Cover, Hole (L)	1	$\frac{3}{11}$ - O
65	1757 57 999	"G" Sensor, Seat Bolt	1	
	1757 57 999A	"G" Sensor, Seat Bolt	1	From Car No. 1
66	99301 1100	Cap	2	
67	99302 1100	Cap	2	
●	99302 1100B	Cap (BLK.)	2	$\frac{3}{12}$ - Added Anew
68	99794 0612	Bolt	2	
69	1029 68 805	Cover, Seat Lock	2	
70	1881 88 120	Switch, Seat	2	From Car No. 1



FRONT SIDE DOOR (GLASS, HARDTOP)



FRONT SIDE DOOR (GLASS, HARDTOP)

58

59

No.	Part Number	Description	Qty	Remarks
1	1757 58 010A	Body (R), Front Door	1	
	1757 59 010A	Body (L), Front Door	1	
	1757 58 020	Panel (R), Outer	1	
	1757 59 020	Panel (L), Outer	1	
2	1011 58 500B	Glass (R), Door	1	
	1757 58 500	Glass (R), Door	1	From Car No. 1
	1011 58 500	Glass (R), Door	1	$\frac{7}{8}$ " ~ ○
●	1011 58 500B	Glass (R), Door	1	$\frac{7}{8}$ " ~ ○
	1011 59 500B	Glass (L), Door	1	
	1757 59 500	Glass (L), Door	1	From Car No. 1
	1011 59 500	Glass (L), Door	1	$\frac{7}{8}$ " ~ ○
●	1011 59 500B	Glass (L), Door	1	$\frac{7}{8}$ " ~ ○
		(Blue Pane)		
3	1011 58 601	Guide "A" (R), Glass	1	
	1011 59 601	Guide "A" (L), Glass	1	
4	1011 58 602	Guide "B" (R), Glass	1	
	1011 59 602	Guide "B" (L), Glass	1	
5	99801 0812	Bolt, Glass Guide	2	
	99951 0822	Washer, Plain	2	
6	99796 0814	Bolt	2	
	99952 0822	Washer, Plain	2	
7	1011 58 606	Bolt, Stud-Glass Guide	4	
8	99940 0802	Nut, Glass Guide	4	
9	1011 58 760A	Weatherstrip (R), Door Body	1	
	1011 59 760A	Weatherstrip (L), Door Body	1	
10	99768 0410B	Screw, Tapping-Weatherstrip	8	

No.	Part Number	Description	Q'ty	Remarks
11	1011 58 771B	Weatherstrip (R), Roof Side	1	
	1757 58 771	Weatherstrip (R), Roof Side	1	From Car No. 1
	1011 58 771B	Weatherstrip (L), Roof Side	1	
	1757 58 771	Weatherstrip (L), Roof Side	1	From Car No. 1
12	99264 0531B	Fastener, Weatherstrip	4	
13	1011 58 780B	Retainer (R), Weatherstrip	1	
	1011 58 780B	Retainer (L), Weatherstrip	1	
14	99863 0412	Screw, Retainer	20	
●	99865 0412	Screw, Retainer	20	$\frac{7}{8}$ "~○
	99952 0400	Washer, Plain	20	
15	1011 58 811B	Weatherstrip (R), Outer	1	
	1011 58 811B	Weatherstrip (L), Outer	1	
16	99768 0512B	Screw, Tapping-Weatherstrip	3	
17	1011 58 910	Stopper, Glass	4	
18	99796 0614	Bolt, Stopper	4	
	99952 0618	Washer, Plain	4	
19	0208 58 921	Fastener, Trim	18	
20	0187 58 922	Cap, Fastener	18	

When ordering the following Trim

Add Colour Code nos. given below after parts number

-00 (BLK) -02 (BLU) -08 (GRY/YLW)

-12 (BRN) -22 (GRN)

21	1757 68 420A	© Trim (R), Door	1	
	1757 68 420B	© Trim (R), Door	1	$\frac{7}{8}$ "~△
	1757 68 450A	© Trim (L), Door	1	
	1757 68 450B	© Trim (L), Door	1	$\frac{7}{8}$ "~△

FRONT SIDE DOOR (GLASS, HARDTOP)

58

59

No.	Part Number	Description	Q'ty	Remarks
22	1011 58 821 A	Weatherstrip (R), Inner	1	
	1757 58 821	Weatherstrip (R), Inner	1	7/2 ~ Δ
	1011 59 821 A	Weatherstrip (L), Inner	1	
	1757 59 821	Weatherstrip (L), Inner	1	7/2 ~ Δ
23	1011 68 426 A	Mould (R)	1	
	1011 68 456 A	Mould (L)	1	

When ordering the following Seaming Welt,

add colour code nos. given below after parts number

-00 (BLK) -05 (BRN) -06 (BLU)

-07 (GRN) -08 (GRY / YLW)

24	1011 68 911	© Welt, Seaming-Door Body Rear (BLK)	2	
25	1011 68 912	© Welt, Seaming-Roof Side	2	

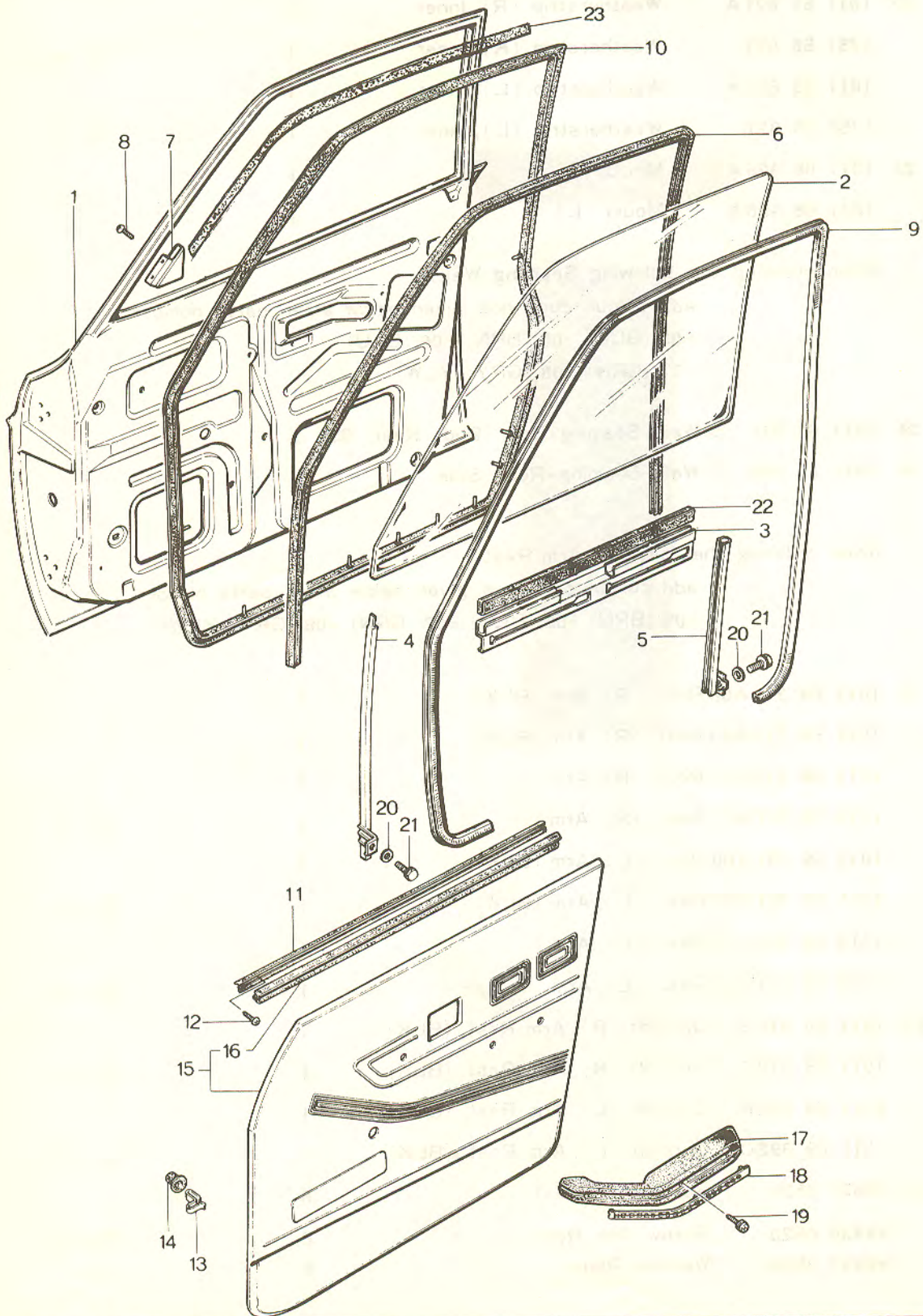
When ordering the following Arm Rest,

add colour code nos. given below after parts number

-05 (BRN) -06 (BLU) -07 (GRN) -08 (GRY / YLW)

26	1011 69 371 A00	Rest (R), Arm (BLK)	1	
	1011 69 371 B00	Rest (R), Arm (BLK)	1	73/11 ~ X
	1013 69 371 A	© Rest (R), Arm	1	
	1013 69 371 B	© Rest (R), Arm	1	73/11 ~ X
	1011 69 391 A00	Rest (L), Arm (BLK)	1	
	1011 69 391 B00	Rest (L), Arm (BLK)	1	73/11 ~ X
	1013 69 391 A	© Rest (L), Arm	1	
	1013 69 391 B	© Rest (L), Arm	1	73/11 ~ X
27	1011 69 372 B	Garnish (R), Arm Rest (BLK)	1	
	1011 69 372 C	Garnish (R), Arm Rest (BLK)	1	73/11 ~ X
	1011 69 392 B	Garnish (L), Arm Rest (BLK)	1	
	1011 69 392 C	Garnish (L), Arm Rest (BLK)	1	73/11 ~ X
28	99833 0520	Screw, Arm Rest	6	
	99830 0520	Screw, Arm Rest	6	7/4 ~ ○
	99952 0500	Washer, Plain	6	

FRONT SIDE DOOR (GLASS, SEDAN & WAGON)



FRONT SIDE DOOR (GLASS, SEDAN & WAGON)

58

59

No.	Part Number	Description	Q'ty	Remarks
1	1755 58 010 A	Body (R), Front Door	1	
	1755 58 010 D	Body (R), Front Door	1	$\frac{7}{11} \sim \Delta$
	1791 58 010	Body (R), Front Door (Wagon)	1	$\frac{7}{4} \sim \Delta$
	1755 59 010 A	Body (L), Front Door	1	
	1755 59 010 D	Body (L), Front Door	1	$\frac{7}{11} \sim \Delta$
	1791 59 010	Body (L), Front Door (Wagon)	1	$\frac{7}{4} \sim \Delta$
	1755 58 020	Panel (R), Outer	1	
	1755 58 020 B	Panel (R), Outer	1	$\frac{7}{11} \sim \Delta$
	1755 59 020	Panel (L), Outer	1	
	1755 59 020 B	Panel (L), Outer	1	$\frac{7}{11} \sim \Delta$
2	1004 58 501 C	Glass (R), Door	1	(Blue Pane)
	1004 59 501 C	Glass (L), Door		
3	1004 58 505	Bracket (R), Lift-Door Glass	1	
	1004 59 505	Bracket (L), Lift-Door Glass	1	
4	1004 58 603	Guide "A" (R), Glass	1	
	1004 59 603	Guide "A" (L), Glass	1	
5	1004 58 604	Guide "B" (R), Glass	1	
	1004 59 604	Guide "B" (L), Glass	1	
6	1004 58 605	Run Channel, Glass	2	
7	1004 58 620	Bracket, Corner (BLK)	2	
8	99831 0408	Screw, Tapping-Corner Bracket	4	
	99832 0410	Screw, Tapping-Corner Bracket	4	$\frac{7}{4} \sim \bigcirc$
9	0398 58 755-00	Welt, Seaming (BLK)	2	
10	1004 58 760	Weatherstrip (R)	1	
	1004 59 760	Weatherstrip (L)	1	
11	1004 58 811 B	Weatherstrip (R), Outer	1	

FRONT SIDE DOOR

(GLASS, SEDAN & WAGON)

No.	Part Number	Description	Q'ty	Remarks
	1004 59 811B	Weatherstrip (L), Outer	1	
12	99786 0512B	Screw, Weatherstrip	6	
13	0208 58 921	Fastener, Trim	12	
	0208 58 921	Fastener, Trim	14	$\frac{73}{11}$ ~ Q'ty
14	0197 58 922	Cap, Fastener	12	
	0187 58 922	Cap, Fastener	14	$\frac{73}{11}$ ~ Q'ty

When ordering the following Trim,

add colour code nos. given below after parts number

-00 (BLK) -02 (BLU) -08 (GRY / YLW)

-12 (BRN) -22 (GRN)

15	1755 68 420A ©	Trim (R), Door	1	
	1755 68 420B ©	Trim (R), Door	1	$\frac{73}{11}$ ~ ○
	1755 68 420C ©	Trim (R), Door	1	$\frac{74}{2}$ ~ △
	1755 68 450A ©	Trim (L), Door	1	
	1755 68 450B ©	Trim (L), Door	1	$\frac{73}{11}$ ~ ○
	1755 68 450C ©	Trim (L), Door	1	$\frac{74}{2}$ ~ △
16	1004 58 821A	Weatherstrip (R), Inner	1	
	1755 58 821	Weatherstrip (R), Inner	1	$\frac{74}{2}$ ~ △
	1004 59 821A	Weatherstrip (L), Inner	1	
	1755 59 821	Weatherstrip (L), Inner	1	$\frac{74}{2}$ ~ △

When ordering the following Arm Rest,

add colour code nos. given below after parts number

-05 (BRN) -06 (BLU) -07 (GRN) -08 (GRY / YLW)

17	1011 69 371A00	Rest (R), Arm (BLK)	1	
	1011 69 371B00	Rest (R), Arm (BLK)	1	$\frac{73}{11}$ ~ ×
	1013 69 371A ©	Rest (R), Arm	1	
	1013 69 371B ©	Rest (R), Arm	1	$\frac{73}{11}$ ~ ×
	1011 69 391A00	Rest (L), Arm (BLK)	1	
	1011 69 391B00	Rest (L), Arm (BLK)	1	$\frac{73}{11}$ ~ ×
	1013 69 391A ©	Rest (L), Arm	1	
	1013 69 391B ©	Rest (L), Arm	1	$\frac{73}{11}$ ~ ×
18	1011 69 372B	Garnish (R), Arm Rest (BLK)	1	
	1011 69 372C	Garnish (R), Arm Rest (BLK)	1	$\frac{73}{11}$ ~ ×
	1011 69 392B	Garnish (L), Arm Rest (BLK)	1	
	1011 69 392C	Garnish (L), Arm Rest (BLK)	1	$\frac{73}{11}$ ~ ×

FRONT SIDE DOOR

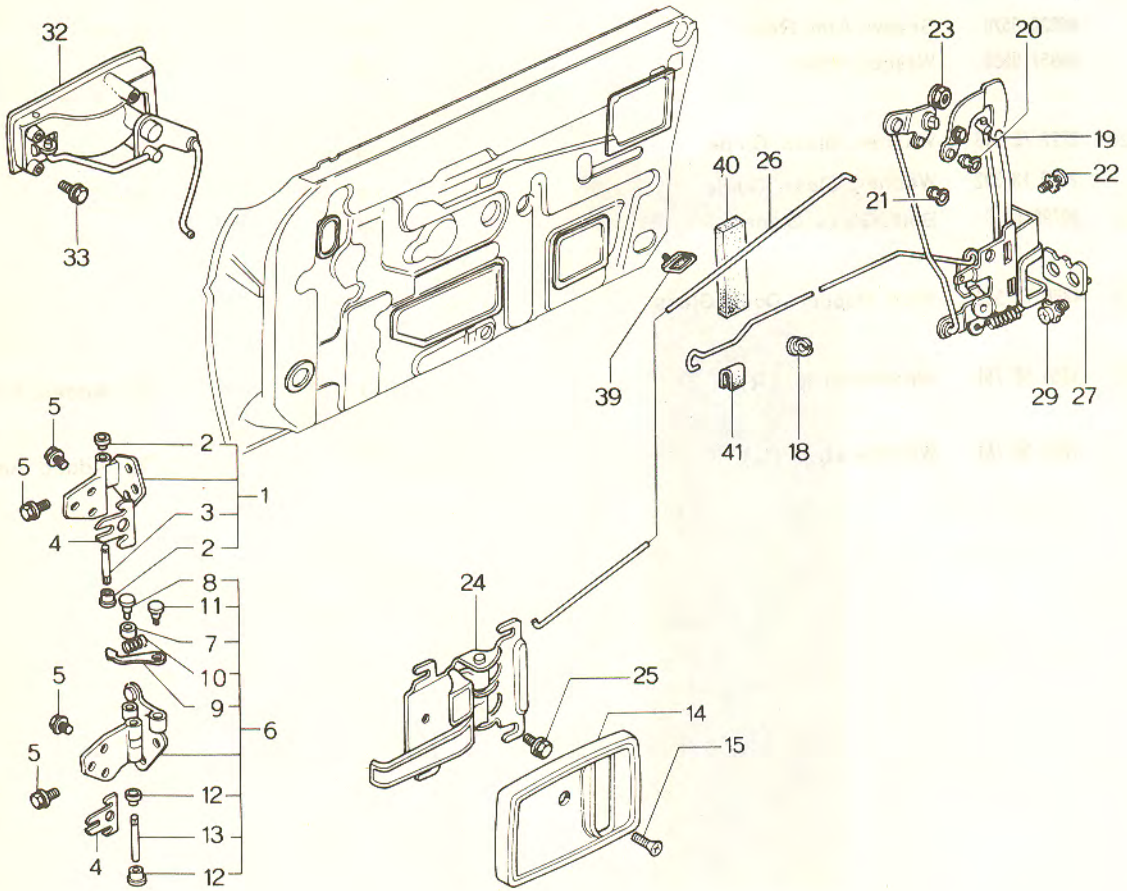
(GLASS, SEDAN & WAGON)

58

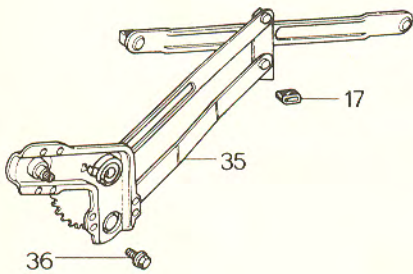
59

No.	Part Number	Description	Q'ty	Remarks
19	99833 0520	Screw, Arm Rest	6	
●	99830 0520	Screw, Arm Rest	6	$\frac{3}{4}$ "-O
	99852 0500	Washer, Plain	6	
20	0727 70 943	Washer, Glass Guide	4	
	2850 13 332	Washer, Glass Guide	4	$\frac{3}{4}$ "-O
21	99798 0810	Bolt, Glass Guide	4	
22	4300 72 502	Stop, Rubber-Door Glass	2	
23	1755 58 751	Weatherstrip (R)	1	$\frac{3}{12}$ "-Added Anew
	1755 58 751	Weatherstrip (L)	1	$\frac{3}{12}$ "-Added Anew

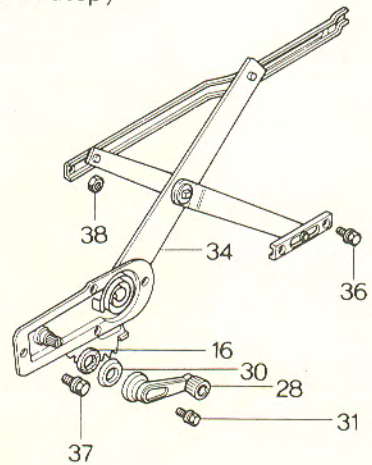




(Sedan & Wagon)



(Hardtop)



FRONT SIDE DOOR (LOCK)

58
59

No.	Part Number	Description	Q'ty	Remarks
1	1011 58 210	Hinge, Door - Upper	2	
2	0223 58 721	Bush	4	
3	0187 58 731	Pin, Hinge	2	
4	1011 58 231	Shim, Door Hinge	4	
5	99783 0828	Bolt, Door Hinge Lower	24	
	99971 0800	Washer, Plain	24	
6	1011 58 240B	Hinge (R), Door - Lower (Hardtop)	1	
●	1011 58 240C	Hinge (R), Door - Lower (Hardtop)	1	$\frac{7}{10} \sim \Delta$
	0866 58 240C	Hinge (R), Door - Lower (Sedan & Wagon)	1	
●	0866 58 240D	Hinge (R), Door - Lower (Sedan & Wagon)	1	$\frac{7}{10} \sim \Delta$
	1011 59 240B	Hinge (L), Door - Lower (Hardtop)	1	
●	1011 59 240C	Hinge (L), Door - Lower (Hardtop)	1	$\frac{7}{10} \sim \Delta$
	0866 59 240C	Hinge (L), Door - Lower (Sedan & Wagon)	1	
●	0866 59 240D	Hinge (L), Door - Lower (Sedan & Wagon)	1	$\frac{7}{10} \sim \Delta$
7	0866 58 281B	Roller	2	
●	0866 58 281C	Roller	2	$\frac{7}{10} \sim \circ$
8	0866 58 282A	Pin "A"	2	
●	0866 58 282B	Pin "A"	2	$\frac{7}{10} \sim \Delta$
9	0866 58 291A	Lever, Check	2	
●	0866 58 291B	Lever, Check	2	$\frac{7}{10} \sim \circ$
10	1011 58 292	Spring, Check (Hardtop)	2	
	0866 58 292A	Spring, Check (Sedan & Wagon)	2	
●	0866 58 292B	Spring, Check (Sedan & Wagon)	2	$\frac{7}{10} \sim \Delta$
11	0866 58 293	Pin "B"	2	
12	0223 58 721	Bush	4	
13	0187 58 731	Pin, Hinge	2	

FRONT SIDE DOOR (LOCK)

No.	Part Number	Description	Q'ty	Remarks
14	1011 58 303A	Cover, Inner Handle (BLK.)	2	
15	99832 0408B	Screw, Inner Handle Cover	2	
16	0259 58 305A	Gasket, Regulator Handle (Sedan & Wagon)	2	
	0259 58 305B	Gasket, Regulator Handle (Sedan & Wagon)	2	$\frac{7}{16}$ "~O
	1011 58 552	Gasket (Hardtop)	2	
17	0259 58 306	Cushion (Sedan & Wagon)	2	
18	0305 58 309	Holder, Rod	4	
19	1743 58 310A	Lock (R), Door	1	
●	1004 58 310C	Lock (R), Door	1	$\frac{7}{16}$ "~O
	1743 59 310A	Lock (L), Door	1	(Sedan & Wagon)
●	1004 59 310C	Lock (L), Door	1	$\frac{7}{16}$ "~O
	1744 58 310A	Lock (R), Door	1	
●	1011 58 310D	Lock (R), Door	1	$\frac{7}{16}$ "~O
	1744 59 310A	Lock (L), Door	1	(Hardtop)
●	1011 59 310D	Lock (L), Door	1	$\frac{7}{16}$ "~O
20	0398 58 319A	Bush	10	
21	0305 58 411A	Bush	2	
22	99832 0630	Screw, Door Lock	6	
	99975 0600	Washer, Toothed	6	
23	99940 0600	Nut, Door Lock Rod	2	
24	1011 58 321	Handle (R), Inner	1	
	1011 58 321A	Handle (R), Inner	1	$\frac{7}{8}$ "~O
	1011 59 321	Handle (L), Inner	1	
	1011 59 321A	Handle (L), Inner	1	$\frac{7}{8}$ "~O
25	99796 0510	Bolt, Inner Handle	6	

FRONT SIDE DOOR (LOCK)

58

59

No.	Part Number	Description	Q'ty	Remarks
26	1004 58 331A	Rod (R), Inner Handle	1	}
		(Sedan & Wagon)		
	1004 59 331A	Rod (L), Inner Handle	1	
	1011 58 331B	Rod (R), Inner Handle	1	}
		(Hardtop)		
	1011 59 331B	Rod (L), Inner Handle	1	
27	0866 58 361C	Rack (R)	1	
	0866 59 361C	Rack (L)	1	
28	0824 58 370B	Handle, Regulator	2	
29	1540 58 371	Screw, Rack	4	
	99975 0600	Washer, Toothed	4	
30	0223 58 375A	Escutcheon	2	
31	99806 0516	Screw, Regulator Handle	2	
	99971 0500	Washer, Spring	2	
32	1727 58 420	Handle (R), Outer (BLU /GRY)	1	
	1727 59 420	Handle (L), Outer (BLU /GRY)	1	
33	99796 0608	Bolt, Outer Handle	6	
34	1011 58 560C	Regulator (R), Window	1	}
		(Hardtop)		
	1011 59 560C	Regulator (L), Window	1	
35	1004 58 560	Regulator (R), Window	1	}
		(Sedan & Wagon)		
	1004 59 560	Regulator (L), Window	1	
36	99796 0610	Bolt, Regulator	8 (Sedan & Wagon) 4 (Hardtop)	

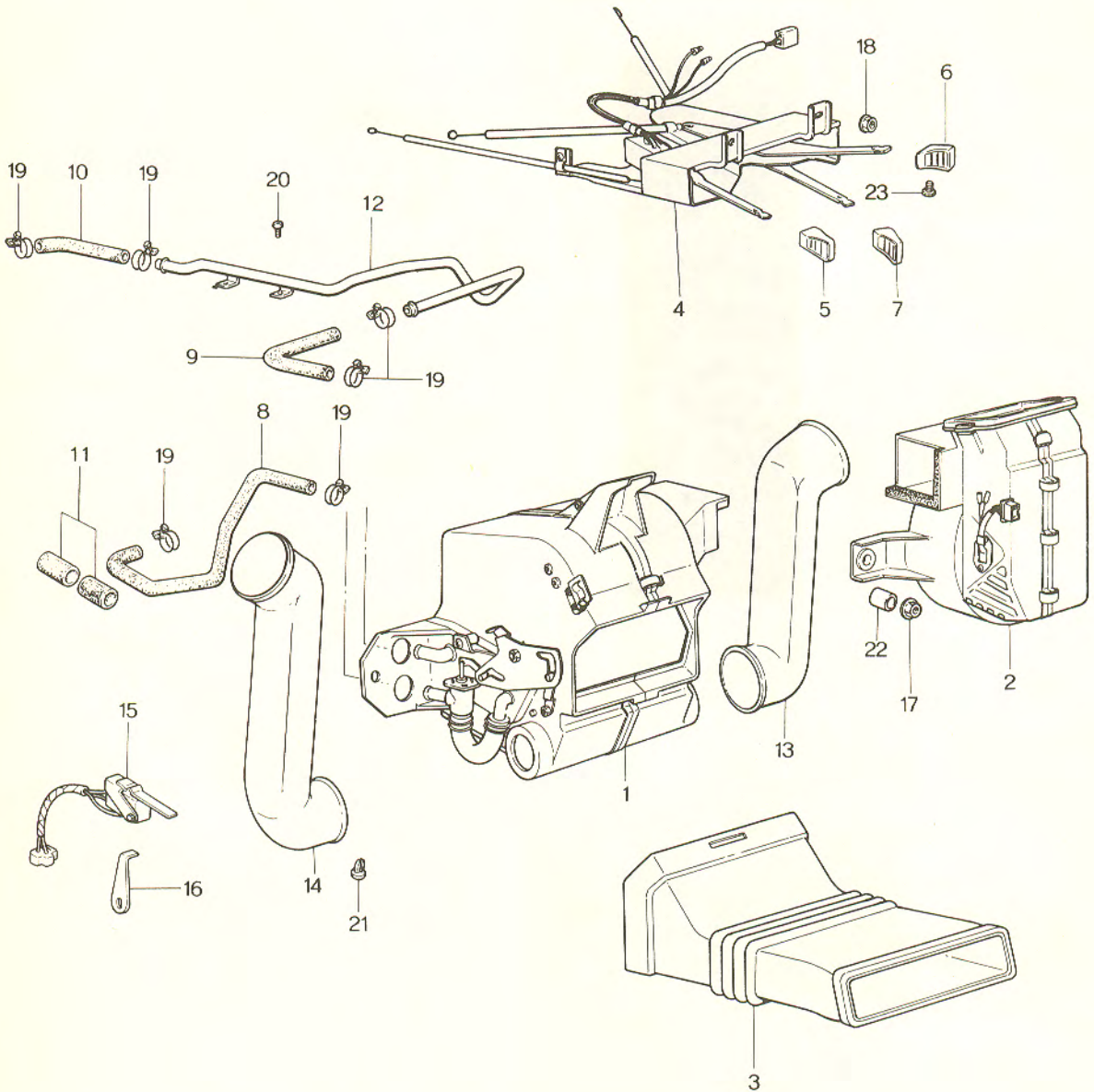
58

59

FRONT SIDE DOOR (LOCK)

No.	Part Number	Description	Q'ty	Remarks
	99952 0618	Washer, Plain	8 (Sedan & Wagon) 4 (Hardtop)	
37	99796 0610	Bolt, Regulator	8	(Hardtop)
38	99940 0602	Nut, Regulator		
39	0259 58 906	Cushion, Door	2	
40	0305 70 432	Insulator, Rod	2	
41	0259 72 509	Pad	2	



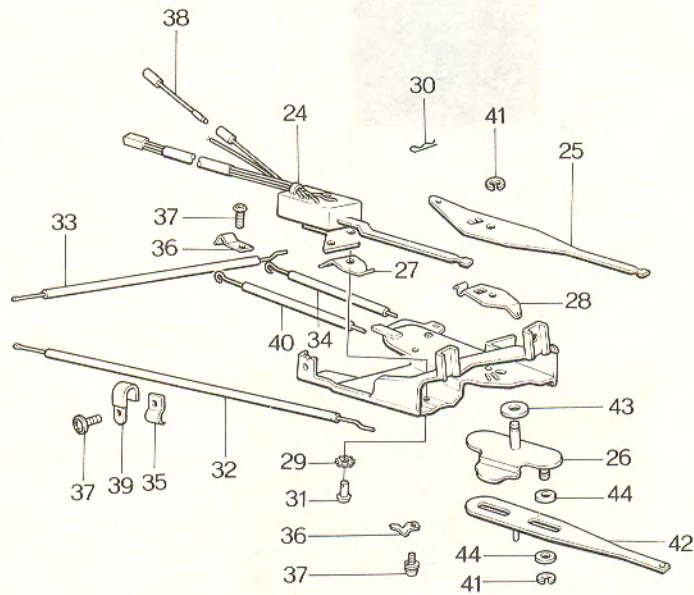
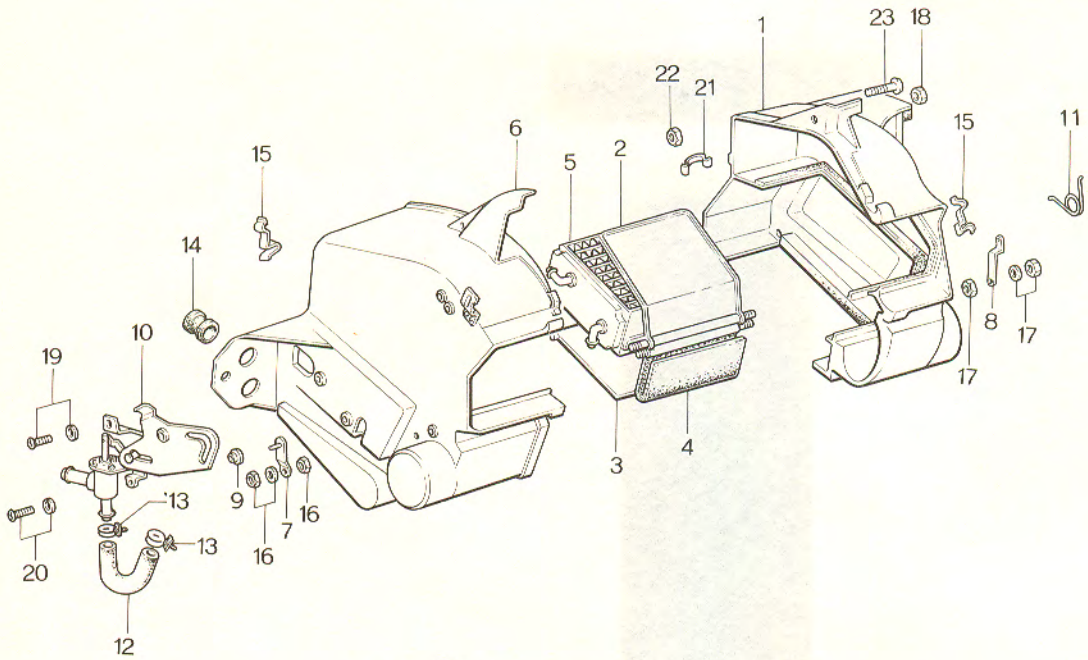


No.	Part Number	Description	Q'ty	Remarks
	1757 61 090B	Heater Set, Cars Without Air-Con.	1	
	1757 61 090E	Heater Set, Cars Without Air-Con.	1	From Car No. 1
	1769 61 090B	Heater Set, Cars With Air-Con.	1	
	1769 61 090E	Heater Set, Cars With Air-Con.	1	From Car No. 1
1	1744 61 130B	Unit, Heater-Cars Without Air-Con.	1	
	1744 61 130C	Unit, Heater-Cars Without Air-Con.	1	From Car No. 1
	1708 61 130B	Unit, Heater-Cars With Air-Con.	1	
	1744 61 130C	Unit, Heater-Cars With Air-Con.	1	From Car No. 1
2	1744 61 140	Blower, Cars Without Air-Con.	1	
	1708 61 140B	Blower, Cars Without Air-Con.	1	From Car No. 1
	1708 61 140	Blower, Cars With Air-Con.	1	
	1708 61 140B	Blower, Cars With Air-Con.	1	From Car No. 1
3	1011 61 150	Duct, Cars Without Air-Con.	1	
4	1708 61 190A	Control	1	
●	1708 61 190B	Control	1	$\frac{3}{11} \sim \Delta$
5	1011 61 191A	Knob No. 1	1	
●	1011 61 191B	Knob No. 1	1	$\frac{3}{11} \sim \times$
6	1011 61 192A	Knob No. 2	1	
●	1011 61 192B	Knob No. 2	1	$\frac{3}{11} \sim \times$
7	1011 61 193	Knob	1	
●	1011 61 193A	Knob	1	$\frac{3}{11} \sim \times$
8	1011 61 211	Hose No. 1, Water	1	
9	1011 61 212	Hose No. 2, Water	1	
10	1011 61 213A	Hose, Water	1	
11	1011 61 216	Protector	2	
12	1011 61 220	Pipe	1	
	1011 61 220B	Pipe	1	$\frac{3}{4} \sim \Delta$
13	1011 61 251A	Hose (R), Defroster	1	
	1011 61 251C	Hose (R), Defroster	1	From Car No. 1
14	1011 61 252A	Hose (L), Defroster	1	
	1011 61 252C	Hose (L), Defroster	1	From Car No. 1
15	1011 61 542	Switch, Cooler	1	} Cars With Air-Con.
16	1011 61 543	Lever	1	

No.	Part Number	Description	Q'ty	Remarks
17	99940 0600	Nut, Heater Unit & Blower	6	
●	99940 0600	Nut, Heater Unit & Blower	7	$\frac{7}{8}$ ~Q'ty
18	99940 0500	Nut, Control	3	
19	99282 2600	Clamp, Hose	6	
20	99869 0512	Screw, Pipe	2	
21	99264 0351B	Rivet, Defroster Hose	2	$\frac{7}{8}$ ~Discarded
22	2850 13 332	Washer	6	From Car No. 1
● 23	99833 0306	Screw, Knob	3	$\frac{7}{8}$ ~Added Anew



HEATER UNIT & CONTROL



HEATER UNIT & CONTROL

61

76

No.	Part Number	Description	Q'ty	Remarks
	1708 61 130 B	Unit, Heater (Cars With Air-Con.)	1	
	1744 61 130 C	Unit, Heater (Cars With Air-Con.)	1	From Car No. 1
	1744 61 130 B	Unit, Heater (Cars Without Air-Con.)	1	
	1744 61 130 C	Unit, Heater (Cars Without Air-Con.)	1	From Car No. 1
1	1708 76 401 B	Case, Heater (Cars With Air-Con.)	1	
	1744 76 401 C	Case, Heater (Cars With Air-Con.)	1	From Car No. 1
	1744 76 401 B	Case, Heater (Cars Without Air-Con.)	1	
	1744 76 401 C	Case, Heater (Cars Without Air-Con.)	1	From Car No. 1
2	1011 76 402 A	Shutter	1	
3	1011 76 403 A	Shutter	1	
4	1011 76 404 A	Shutter	1	
● 5	1011 76 405	Core, Heater (Cars With Air-Con.)	1	
●	1744 76 405	Core, Heater	1	From Car No. 1
●	1011 76 405	Core, Heater (Cars Without Air-Con.)	1	From Car No. 1
6	1708 76 406 B	Case, Heater (Cars With Air-Con.)	1	
	1744 76 406 C	Case, Heater (Cars With Air-Con.)	1	From Car No. 1
	1744 76 406 B	Case, Heater (Cars Without Air-Con.)	1	
	1744 76 406 C	Case, Heater (Cars Without Air-Con.)	1	From Car No. 1
7	1011 76 407	Lever, Control	1	
8	1011 76 409 A	Lever, Control	4	
9	1011 76 415	Roller	4	
10	1011 76 416	Valve, Water	1	
	1011 76 416 A	Valve, Water	1	From Car No. 1
11	1011 76 479	Spring	1	
12	1011 76 417	Hose, Water	1	
13	99282 2600	Clamp, Hose	2	
14	1011 76 418	Grommet	2	
15	1011 76 419	Clip, Cable	2	

HEATER UNIT & CONTROL

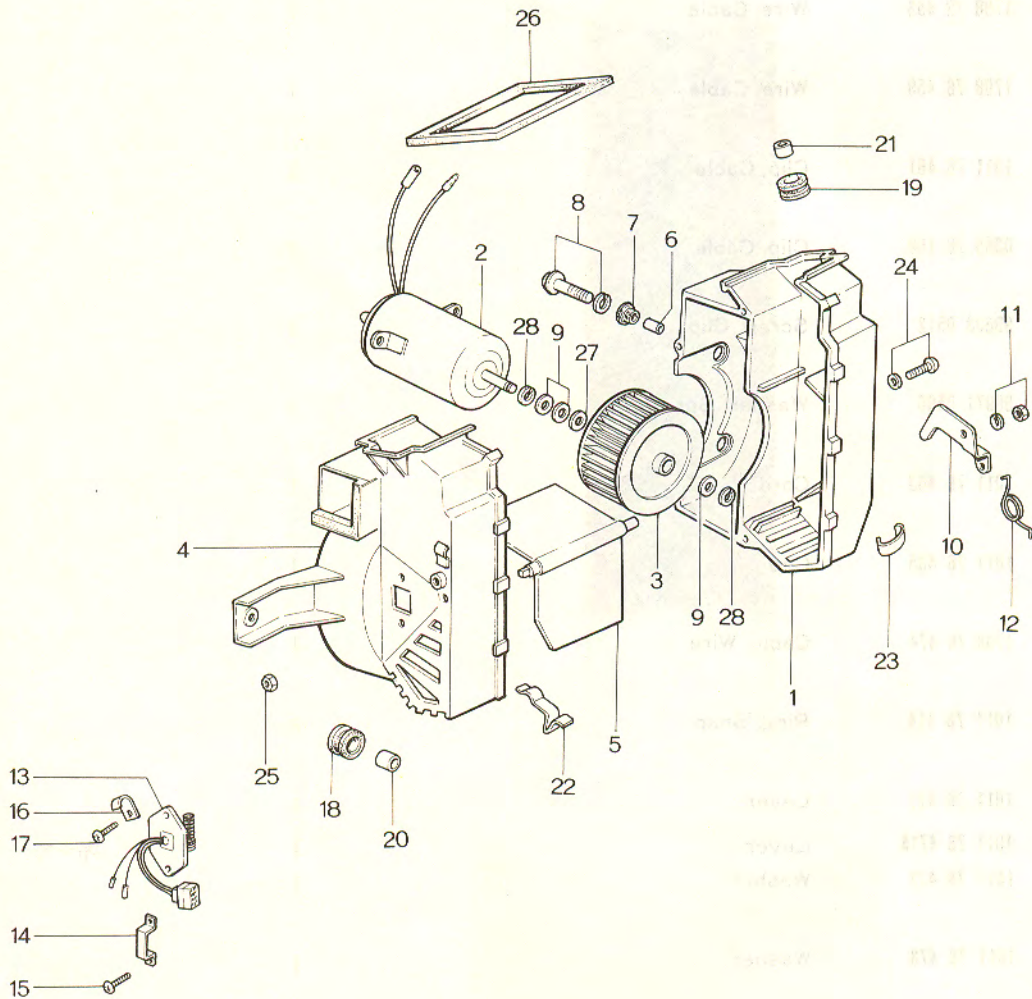
No.	Part Number	Description	Q'ty	Remarks
16	99906 0600	Nut, Control Lever	2	
	99971 0600	Washer, Spring	1	
17	99906 0500	Nut, Control Lever	2	
	99971 0500	Washer, Spring	2	
18	99906 0400	Nut, Case	2	
19	99833 0410	Screw, Water Valve	2	
	99833 0410	Screw, Water Valve	2	From Car No. 1
	99971 0400	Washer, Spring	2	
20	99833 0416	Screw, Case	2	
	99971 0400	Washer, Spring	2	
21	0305 76 088	Clip, Case	3	
22	99906 0300	Nut	1	
23	99833 0316	Screw	1	
	99971 0300	Washer, Spring	1	
	1708 61 190	Control, Heater	1	
	1708 61 190A	Control, Heater	1	From Car No. 1
●	1708 61 190B	Control, Heater	1	$\frac{7}{11} \sim \Delta$
24	1011 76 447A	Switch	1	
●	1011 76 447B	Switch	1	$\frac{7}{11} \sim \times$
25	1011 76 448A	Lever, Control	1	
●	1011 76 448B	Lever, Control	1	$\frac{7}{11} \sim \times$
26	1011 76 449A	Lever, Control	1	
27	1011 76 451	Spring	1	
28	1011 76 452	Spring	1	

HEATER UNIT & CONTROL

61

76

No.	Part Number	Description	Q'ty	Remarks
29	1011 76 454	Spring	1	
30	0305 76 162A	Ring, Snap	1	
31	1011 76 455	Pin, Switch	1	
32	1708 76 457	Wire, Cable	1	
33	1708 76 458	Wire, Cable	1	
34	1708 76 459	Wire, Cable	1	
35	1011 76 461	Clip, Cable	1	
36	0305 76 168	Clip, Cable	2	
37	99833 0512	Screw, Clip	3	
	99971 0500	Washer, Spring	3	
38	1011 76 463	Cord	1	
39	1011 76 435	Clip	1	
40	1708 76 474	Cable, Wire	1	
41	1011 76 414	Ring, Snap	3	
42	1011 76 471	Lever	1	
●	1011 76 471A	Lever	1	
43	1011 76 472	Washer	1	$\frac{3}{16} \sim \times$
44	1011 76 473	Washer	1	



BLOWER

61

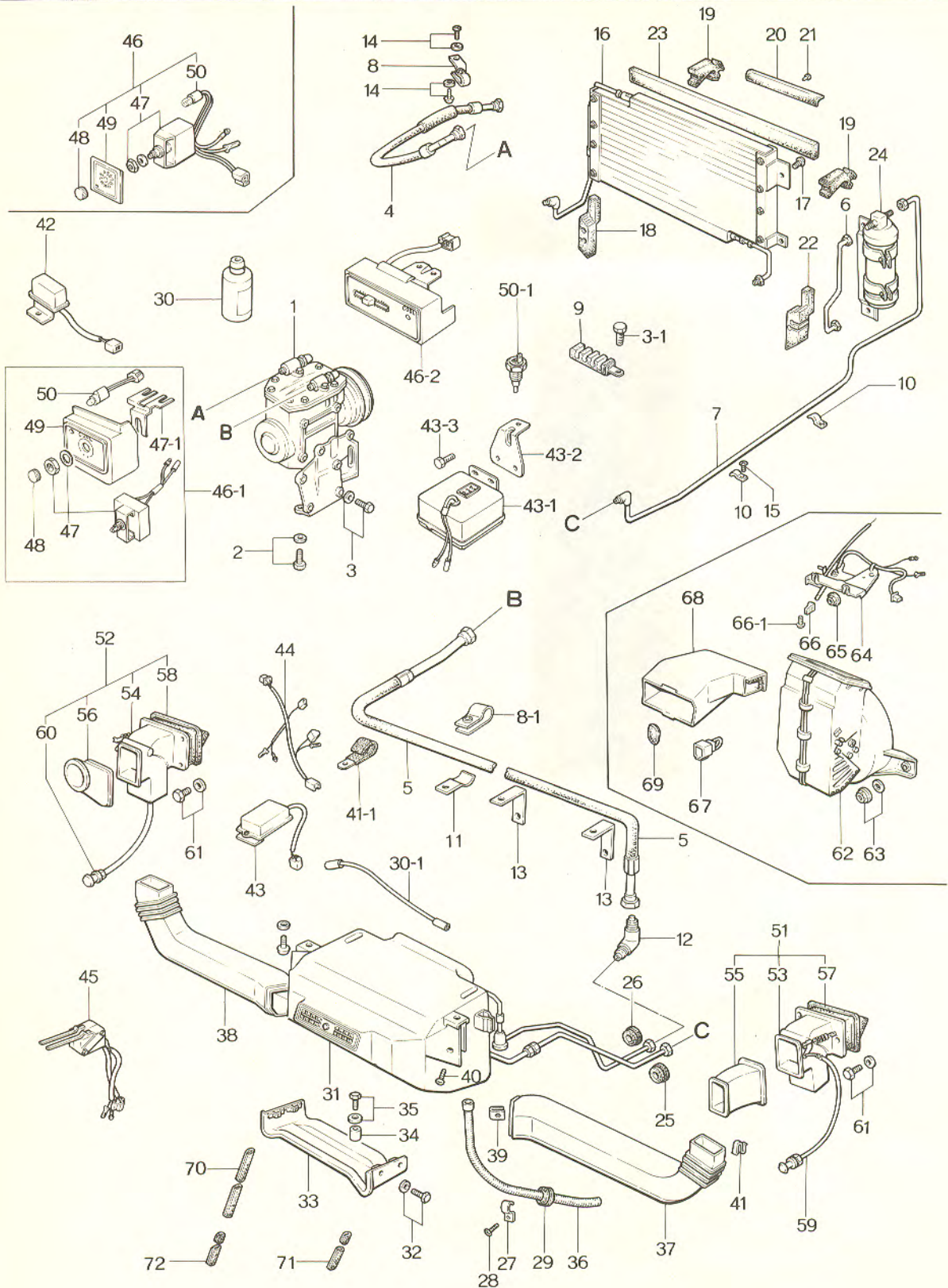
76

No.	Part Number	Description	Q'ty	Remarks
	1708 61 140	Blower (Cars With Air-Con.)	1	
●	1708 61 140B	Blower (Cars With Air-Con.)	1	From Car No. 1
	1744 61 140	Blower (Cars Without Air-Con.)	1	
●	1708 61 140B	Blower (Cars Without Air-Con.)	1	From Car No. 1
1	1708 76 423	Case, Fan	1	
2	1708 76 424	Motor, Fan	1	
●	1708 76 424 A	Motor, Fan	1	From Car No. 1
3	1708 76 421	Fan	1	
4	1708 76 425	Case	1	
5	1708 76 426	Shutter	1	
6	0305 76 123	Collar	3	
7	0305 76 124	Damper	6	
8	99833 0516	Screw	3	
	99971 0500	Washer, Spring	3	
9	1011 76 422	Washer	3	
10	1708 76 428	Lever, Control	1	
11	99906 0600	Nut, Control Lever	1	
	99971 0600	Washer, Spring	1	
12	1708 76 432	Spring, Control Lever	1	
13	1011 76 433	Resistor (1708 Blower use)	1	
●	1011 76 433A	Resistor (1708 Blower use)	1	From Car No. 1
	1744 76 433	Resistor (1744 Blower use)	1	
●	1011 76 433 A	Resistor (1708 Blower use)	1	From Car No. 1
14	1011 76 434	Clip	1	
15	99863 0408	Screw, Tapping-Clip	2	

No.	Part Number	Description	Q'ty	Remarks
16	1011 76 435	Clip	1	
17	99863 0412	Screw, Tapping-Clip & Resistor	2	
18	1011 76 437	Damper	2	
19	1011 76 438	Damper	2	
20	1011 76 439	Collar	2	
21	1011 76 441	Collar	2	
22	1011 76 419	Clip, Cable	1	
23	0305 76 088	Clip, Case	4	
24	99833 0416	Screw, Case	4	
	99971 0400	Washer, Spring	4	
25	99906 0400	Nut, Case	4	
26	1011 76 445	Lining	1	
27	1011 76 464	Washer	1	
28	1011 76 465	Ring, Snap	2	

AIR CONDITIONER





No.	Part Number	Description	Q'ty	Remarks
Air-Con. and components are of Diesel Kiki make				
	1767 61 390	Air Conditioner (Cars Without Power Steering)	1	
	1769 61 390	Air Conditioner (Cars With Power Steering)	1	
	1767 61 430	Engine Room Kit	1	(Cars Without Power Steering) ☆
	1769 61 430	Engine Room Kit	1	(Cars With Power Steering) ☆
	1 1915 61 450	Compressor (Cars Without Power Steering)	1	
	1769 61 450	Compressor (Cars With Power Steering)	1	
●	1769 61 450A	Compressor (Cars With Power Steering)	1	$\frac{7}{12}$ ~ ○
2	99801 0835	Bolt, Compressor	2	(1915 61 450 Fixing use)
	99953 0800	Washer, Plain	2	
	99971 0800	Washer, Spring	2	
3	99801 0825	Bolt, Compressor	2	
	99953 0800	Washer, Plain	2	
	99971 0800	Washer, Spring	2	
	99801 1025	Bolt	3	(1769 61 450 1769 61 450A) Fixing use
	99952 1000	Washer, Plain	3	
	99971 1000	Washer, Spring	3	
● 3-1	99796 0812	Bolt, Clip	1	From Car No. 1
4	1176 61 461	Hose, Flexible No. 1 (Cars Without Power Steering)	1	
	1769 61 461	Hose, Flexible No. 1 (Cars With Power Steering)	1	
●	1769 61 461A	Hose, Flexible No. 1 (Cars With Power Steering)	1	$\frac{7}{12}$ ~ ×
5	1767 61 462	Hose, Flexible No. 2 (Cars Without Power Steering)	1	
	1769 61 462	Hose, Flexible No. 2 (Cars With Power Steering)	1	
●	1769 61 462A	Hose, Flexible No. 2 (Cars With Power Steering)	1	$\frac{7}{12}$ ~ ×

No.	Part Number	Description	Q'ty	Remarks
6	1011 61 463A	Pipe No. 1	1	
7	1734 61 464A	Pipe No. 2	1	
8	1769 61 471	Clip, Pipe	3	
● 8-1	1769 61 472	Clip (With Power Steering)	2	$\frac{73}{12}$ ~ Added Anew
9	0866 61 472	Clip, Pipe	1	
●	1769 61 479	Clip	1	From Car No. 1
	3523 15 811	Clip, Pipe (With Power Steering)	1	$\frac{74}{1}$ ~○
10	1011 61 473	Clip	2	
11	1011 61 474	Clip	1	
12	1011 61 477	Elbow	1	
●	0866 61 474	Elbow (With Cooler & Power Steering)	1	$\frac{73}{12}$ ~×
13	1769 61 478	Bracket	2	
14	99786 0614B	Screw, Clip	4	
	99952 0618B	Washer, Plain	4	
15	99869 0512	Screw, Clip	2	
16	1769 61 480	Condenser	1	
17	99786 0614B	Screw, Condenser	4	
	99952 0618B	Washer, Plain	4	
18	1011 61 491A	Seal No. 1, Air	1	
19	1011 61 492	Seal No. 2, Air	2	
	1769 61 492	Seal No. 2, Air	2	$\frac{73}{10}$ ~△
20	1011 61 494	Seal No. 4, Air	2	$\frac{74}{5}$ ~ Discarded
21	99264 0513B	Rivet, Air Seal No. 4	6	
22	1011 61 495	Seal No. 5, Air	1	
23	1011 61 496	Seal No. 6, Air	1	

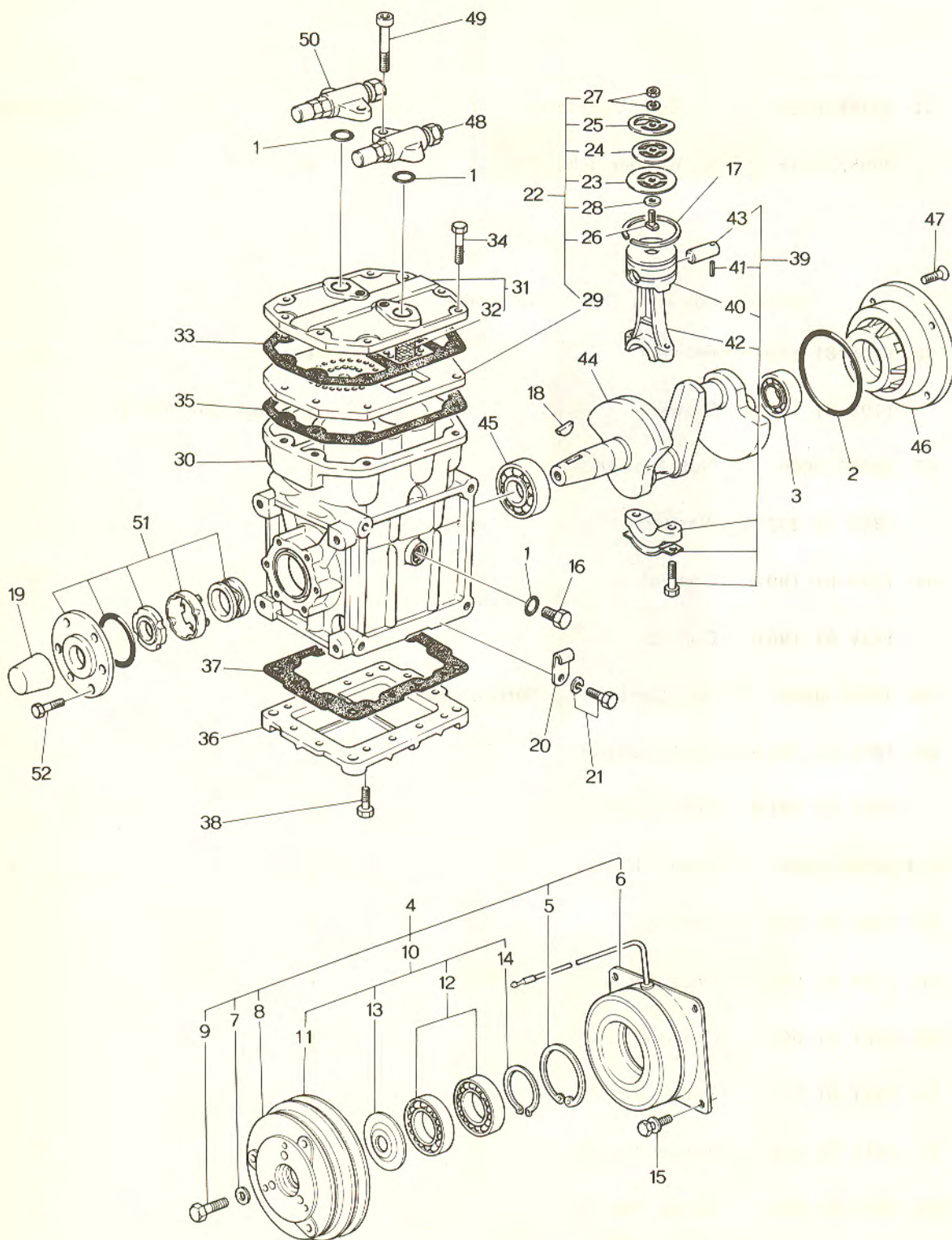
No.	Part Number	Description	Q'ty	Remarks
24	1011 61 500A	Tank, Liquid	1	
25	0305 61 821	Grommet, Pipe	1	
26	0223 78 861	Grommet, Pipe	1	
27	1011 61 474	Clip, Drain Pipe	1	
28	99795 0525	Screw	1	
	99797 0525	Screw	1	From Car No. 1
29	0223 78 865	Grommet	1	
30	0223 78 834	Freon	4	
30-1	1114 61 582A	Harness, Wire-Idle Cut Switch	1	$\frac{7}{11}$ ~Added Anew
	1769 61 440	Cabin Room Kit (Fig. No. 31,33,34,36~38,41~50 included)	1	☆
31	1734 61 520	Unit, Cooling	1	
	1734 61 520A	Unit, Cooling	1	$\frac{7}{4}$ ~X
	1734 61 520B	Unit, Cooling	1	$\frac{7}{11}$ ~X
32	99786 0614B	Bolt	6	
	99952 0618B	Washer, Plain	6	
33	1011 61 535	Bracket	1	
34	1011 61 536	Spacer	2	
35	99786 0628B	Bolt, Bracket	2	
	99952 0618B	Washer, Plain	2	
36	1011 61 526	Hose, Drain	1	
37	1734 61 563	Duct (R)	1	
38	1734 61 573	Duct (L)	1	
39	0820 56 905	Nut, Spring-Duct	2	

No.	Part Number	Description	Q'ty	Remarks
40	99864 0516 B	Screw, Duct	2	
41	1011 61 564	Clip, Joint- Duct	4	
● 41-1	1011 61 565	Clip	1	$\frac{7}{8}$ ~ Added Anew
● 42	1011 61 548 A	Relay	1	$\frac{7}{10}$ ~ Discarded
43	1015 61 545 A	Switch, Idle Cut	1	
	1015 61 545 B	Switch, Idle Cut	1	$\frac{7}{11}$ ~ Δ
● 43-1	1622 61 545	Switch, Idle Cut	1	$\frac{7}{11}$ ~ \times
● 43-2	1173 61 547	Bracket, AMP.	1	$\frac{7}{11}$ ~ Added Anew
● 43-3	99786 0614 B	Screw, Idle Cut Switch	2	} $\frac{7}{4}$ ~ Added Anew
●	99952 0618 B	Washer, Plain	2	
44	1734 61 548	Harness No. I, Wiring	1	
	1769 61 546	Harness No. I, Wiring	1	$\frac{7}{4}$ ~ \times
●	1734 61 546	Harness No. I, Wiring	1	$\frac{7}{3}$ ~ \circ
●	1734 61 546 A	Harness No. I, Wiring	1	$\frac{7}{11}$ ~ \times
45	1011 61 541	Switch, Cooler No. I	1	
46	1011 61 550	Control Ass'y, Thermo	1	(Fig. No. 47~50 included)
46-1	1769 61 550	Control Ass'y, Thermo	1	$\frac{7}{4}$ ~ \times
● 46-2	1769 61 550 A	Control Ass'y, Thermo	1	$\frac{7}{11}$ ~ \times
47	1011 76 741	Control, Thermo	1	
● 47-1	1769 76 745	Bracket, Control	1	$\frac{7}{4}$ ~ Added Anew
48	1011 76 738	Knob	1	
49	1011 76 739	Panel, Control	1	
●	1769 76 739	Panel, Control	1	$\frac{7}{4}$ ~ \times
50	1011 76 742	Unit, Lamp	1	
● 50-1	1114 61 581	Switch, Water Thermo	1	$\frac{7}{3}$ ~ Added Anew
51	1734 61 560	Ventilator Ass'y (R)	1	} (Fig. No. 53~60 included)
52	1734 61 570	Ventilator Ass'y (L)	1	
53	1011 61 561 A	Ventilator (R)	1	$\frac{7}{2}$ ~ Discarded
54	1011 61 571 A	Ventilator (L)	1	$\frac{7}{2}$ ~ Discarded
55	1734 61 562	Duct (R), Vinyl	1	} These pars are not of Diesel Kiki make
56	1734 61 572	Duct (L), Vinyl	1	
57	1011 64 761 C	Gasket (R)	1	$\frac{7}{2}$ ~ Discarded
58	1011 64 861 C	Gasket (L)	1	$\frac{7}{2}$ ~ Discarded
59	1011 64 770 A	Wire (R), Control	1	$\frac{7}{2}$ ~ Discarded

No.	Part Number	Description	Q'ty	Remarks
60	1003 64 770	Wire (L), Control	1	$\frac{74}{5}$ ~ Discarded
61	99786 0620	Bolt, Ventilator	6	$\frac{74}{5}$ ~ Discarded
	99952 0618	Washer, Plain	6	$\frac{74}{5}$ ~ Discarded

Ⓧ mark indicates Diesel Kiki make

62	1708 81 140	Blower	1	Ⓧ
	1708 61 140B	Blower	1	From Car No. 1 Ⓧ
63	99940 0600	Nut, Blower	4	
	2850 13 332	Washer	4	
64	1734 61 190A	Control	1	Ⓧ
●	1734 61 190B	Control	1	$\frac{74}{11}$ ~ △
65	99940 0500	Nut, Control	3	(Without Heater)
66	1011 61 191A	Knob, Control	1	Ⓧ
●	1011 61 191B	Knob, Control	1	$\frac{74}{11}$ ~ ×
●	66-1 99833 0306	Screw, Knob	1	$\frac{74}{11}$ ~ Added Anew
67	1799 61 547	Adapter	1	Ⓧ
68	1734 61 595	Duct, Air	1	Ⓧ
69	0301 61 055	Grommet	1	
70	1011 61 527	Sealer No. 1	1	Ⓧ
71	1011 61 528	Sealer No. 2	1	Ⓧ
72	1011 61 529	Sealer No. 3	1	Ⓧ



COMPRESSOR (CARS WITHOUT P. S.)

61
76

No.	Part Number	Description	Q'ty	Remarks
All Parts are of Diesel Kiki make				
	1915 61 450	Compressor	1	
1	0235 76 321	Ring, "O"	4	
•	0235 76 321	Ring, "O"	2	From Car No. 1
•	1915 76 829	Ring, "O"	2	From Car No. 1
2	0235 76 322	Ring, "O"	1	
3	0235 76 345	Bearing, Ball	1	
4	0881 76 370	Clutch, Magnet (Fig. No. 5 ~15 included)	1	
5	0235 76 377	Ring, Snap	1	
6	0881 76 713	Magnet	1	
7	0881 76 714	Washer, Fixing	1	
8	0881 76 738	Plate, Clutch	1	
9	0881 76 739	Bolt, Socket Head	1	
10	0881 76 740	Pulley, "V" (Fig. No. 11~14 included)	1	
11	0881 76 712	Pulley, "V"	1	
12	0235 76 373	Bearing, Ball	1	
13	0235 76 374	Cover	1	
14	0235 76 375	Ring, Snap	1	
15	0881 76 741	Bolt	4	
16	0881 76 717	Plug	2	
17	0881 76 727	Ring, Piston	2	
18	0881 76 734	Key	1	

COMPRESSOR (CARS WITHOUT P. S.)

No.	Part Number	Description	Q'ty	Remarks
19	0881 76 735	Cap	1	All Parts are of Datsun Make
20	0881 76 742	Clip	1	
21	99801 0816	Bolt	1	
	99971 0800	Washer, Spring	1	
22	1915 76 810	Liner, Valve (Fig. No. 23~29 included)	1	
23	0235 76 333	Valve, Suction	2	
24	0235 76 334	Valve, Delivery	2	
25	0235 76 335	Stopper, Valve	2	
26	0235 76 336	Bolt	2	
27	99906 0500	Nut	2	
	99971 0500	Washer, Spring	2	
28	0235 76 338	Washer	2	
29	1915 76 811	Liner, Valve	1	
30	1915 76 813	Housing, Compressor	1	
31	1915 76 814	Head, Cylinder	1	
32	1915 76 815	Suction, Filter	1	
33	1915 76 816	Gasket	1	
34	99801 0835	Bolt	8	
35	1915 76 817	Gasket	1	
36	1915 76 818	Pan, Oil	1	

COMPRESSOR (CARS WITHOUT P.S.)

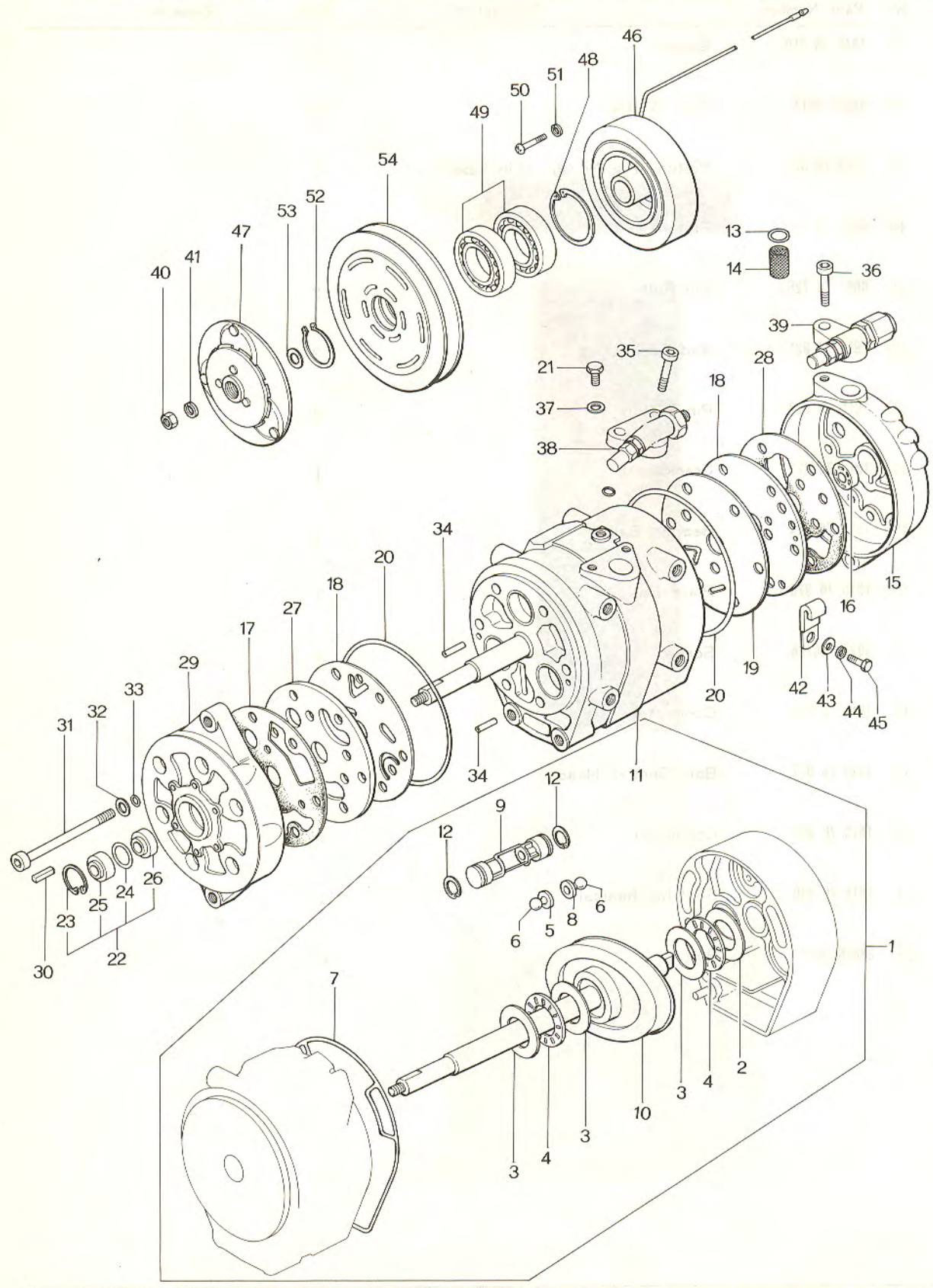
61

76



No.	Part Number	Description	Q'ty	Remarks
37	1915 76 819	Gasket	1	
38	99806 0614	Bolt, Oil Pan	12	
39	1915 76 820	Piston (Fig. No. 40~43 included)	2	
40	0881 76 723	Piston	2	
41	0881 76 726	Pin, Roll	2	
42	1915 76 821	Rod, Connecting	2	
43	1915 76 822	Pin, Piston	2	
44	1915 76 823	Crankshaft	1	
45	1915 76 824	Bearing, Ball	1	
46	1915 76 825	Plate, End	1	
47	99741 06168	Screw	4	
48	1915 76 826	Connector	1	
49	1915 76 827	Bolt, Socket Head	4	
50	1915 76 828	Connector	1	
51	1915 76 830	Seal, Mechanical	1	
52	99806 0610	Bolt	6	

COMPRESSOR (COOLER, CARS WITH P.S.)



COMPRESSOR (COOLER, CARS WITH P.S.)

61

76

No.	Part Number	Description	Q'ty	Remarks
	1769 61 450 A	Compressor	1	
	1769 76 800	Compressor (Fig. No. 1 ~41 included)	1	
1	1769 76 810	Compressor (Fig. No. 2~12 included)	1	
2	1769 76 801	Washer, Thrust	1	
3	1769 76 802	Washer, Thrust	3	
4	1769 76 803	Bearing	2	
5	1769 76 804	Shoe, Disc	3	
6	1769 76 805	Ball, Drive	6	
7	1769 76 806	Ring, "O"	1	
8	1769 76 808	Shoe, Disc	1	
9	1769 76 821	Piston	3	
10	1769 76 823	Shaft	1	
11	1769 76 824	Cylinder, Half	1	
12	1769 26 839	Ring, Piston	6	
13	1769 76 811	Ring, "O"	2	
14	1769 76 812	Filter, Suction	1	
15	1769 76 813	Head, Rear	1	
16	1769 76 814	Gear, Pump	1	
17	1769 76 815	Gasket	1	
18	1769 76 816	Plate, Valve-Discharge Rear	2	

COMPRESSOR (COOLER, CARS WITH P.S.)

No.	Part Number	Description	Q'ty	Remarks
19	1769 76 817	Valve, Lead-Suction	2	
20	1769 76 818	Ring, "O"	2	
21	1769 76 819	Plug	2	
22	1769 76 820	Seal Fig. No. 23~26 Included	1	
23	1769 76 822	Ring, Snap	1	
24	1769 76 828	Ring, "O"	1	
25	1769 76 829	Seal, Sheet	1	
26	1769 76 830	Seal, Shaft	1	
27	1769 76 825	Plate, Valve-Discharge Front	1	
28	1769 76 826	Gasket	1	
29	1769 76 827	Head, Front	1	
30	1769 76 831	Key	1	
31	1769 76 832	Bolt, Head-Socket	6	
32	1769 76 833	Washer, Head Bolt	6	
33	1769 76 834	Ring, "O"	6	
34	1769 76 835	Pin, Roll	4	
35	1769 76 836	Screw	2	
36	1769 76 837	Screw	1	
37	1769 76 838	Gasket	2	
38	1769 76 840	Connector	1	

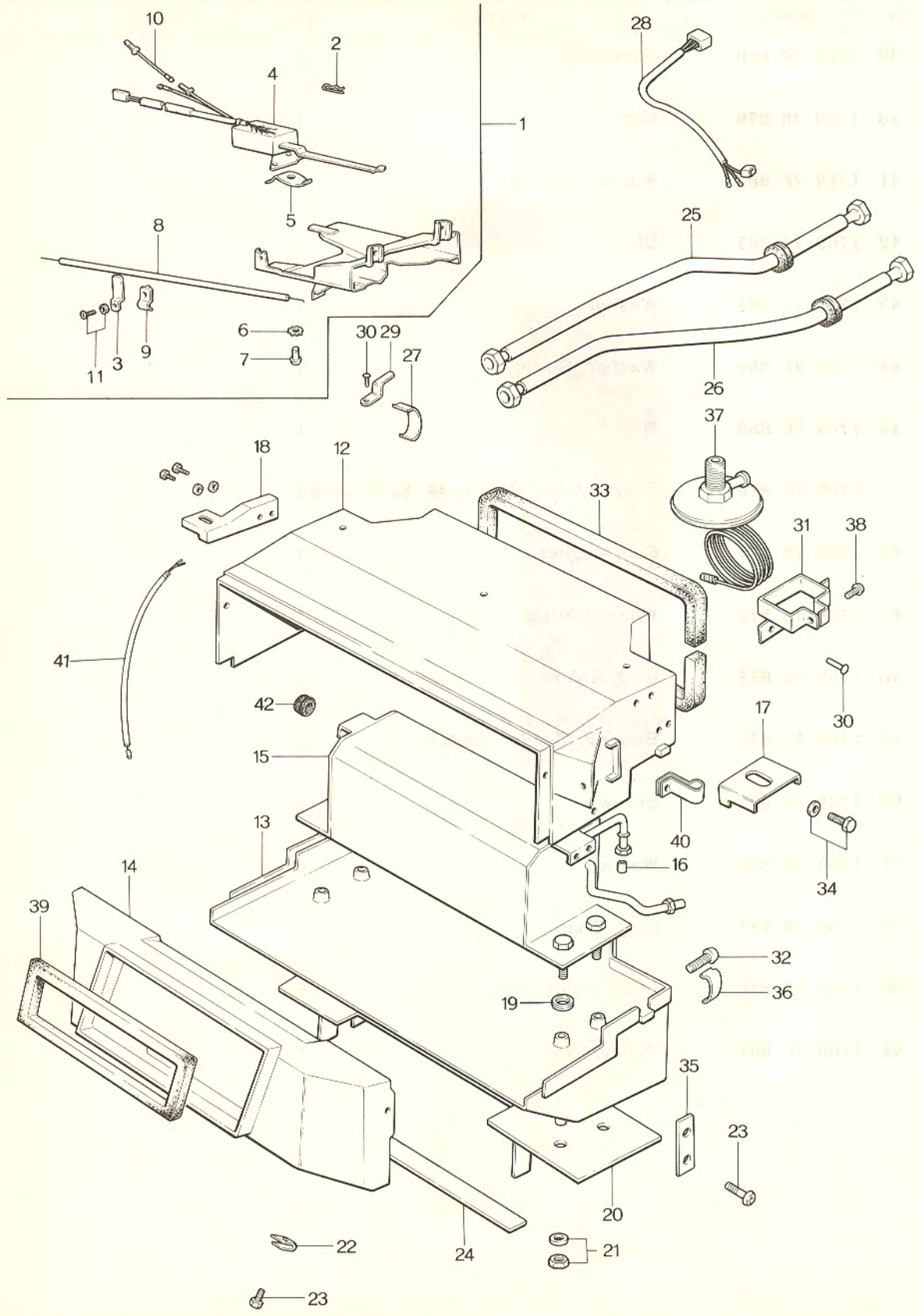
COMPRESSOR (COOLER, CARS WITH P.S.)

61

76

No.	Part Number	Description	Q'ty	Remarks
39	1769 76 850	Connector	1	
40	1769 76 879	Nut	1	
41	1769 76 882	Washer, Spring	1	
42	1769 76 883	Clip	1	
43	1769 76 884	Washer	1	
44	1769 76 885	Washer, Spring	1	
45	1769 76 886	Bolt	1	
	1769 76 870	Clutch, Magnet - Fig. No. 46~54	Included 1	
46	1769 76 871	Coil, Magnet	1	
47	1769 76 872	Wheel, Clutch	1	
48	1769 76 873	Ring, Snap	1	
49	1769 76 874	Bearing, Magnet Clutch	2	
50	1769 76 875	Screw	6	
51	1769 76 876	Washer	6	
52	1769 76 877	Ring, Snap	1	
53	1769 76 878	Shim, Adjust	5	
54	1769 76 881	Pulley, "V"	1	

CONTROL & COOLING UNIT



CONTROL & COOLING UNIT

61

76

No.	Part Number	Description	Q'ty	Remarks
1	1734 61 190A	Control	1	
●	1734 61 190B	Control	1	$\frac{7}{11} \sim \Delta$
2	0305 76 162A	Pin	1	
3	1011 76 435	Clip	1	
4	1011 76 447A	Switch	1	
●	1011 76 447B	Switch	1	$\frac{7}{11} \sim \times$
5	1011 76 451	Spring	1	
6	1011 76 454	Spring	1	
7	1011 76 455	Pin	1	
8	1708 76 457	Wire, Cable	1	
9	1011 76 461	Clip, Cable	1	
10	1011 76 463	Cord, Vinyl	1	
11	99833 0512	Screw	1	
	99971 0500	Washer, Spring	1	
	1734 61 520	Unit, Cooling	1	
	1734 61 520A	Unit, Cooling	1	$\frac{7}{4} \sim \times$
●	1734 61 520B	Unit, Cooling	1	$\frac{7}{11} \sim \times$
12	1011 76 701	Case, Cooling - Upper	1	
13	1011 76 702	Case, Cooling - Lower	1	
14	1011 76 703	Case, Cooling - Front	1	
●	1011 76 703A	Case, Cooling - Front	1	$\frac{7}{3} \sim \times$
15	1734 76 704	Evaporator	1	
16	1011 76 705	Orifice	1	
17	1003 76 706	Bracket (R)	1	

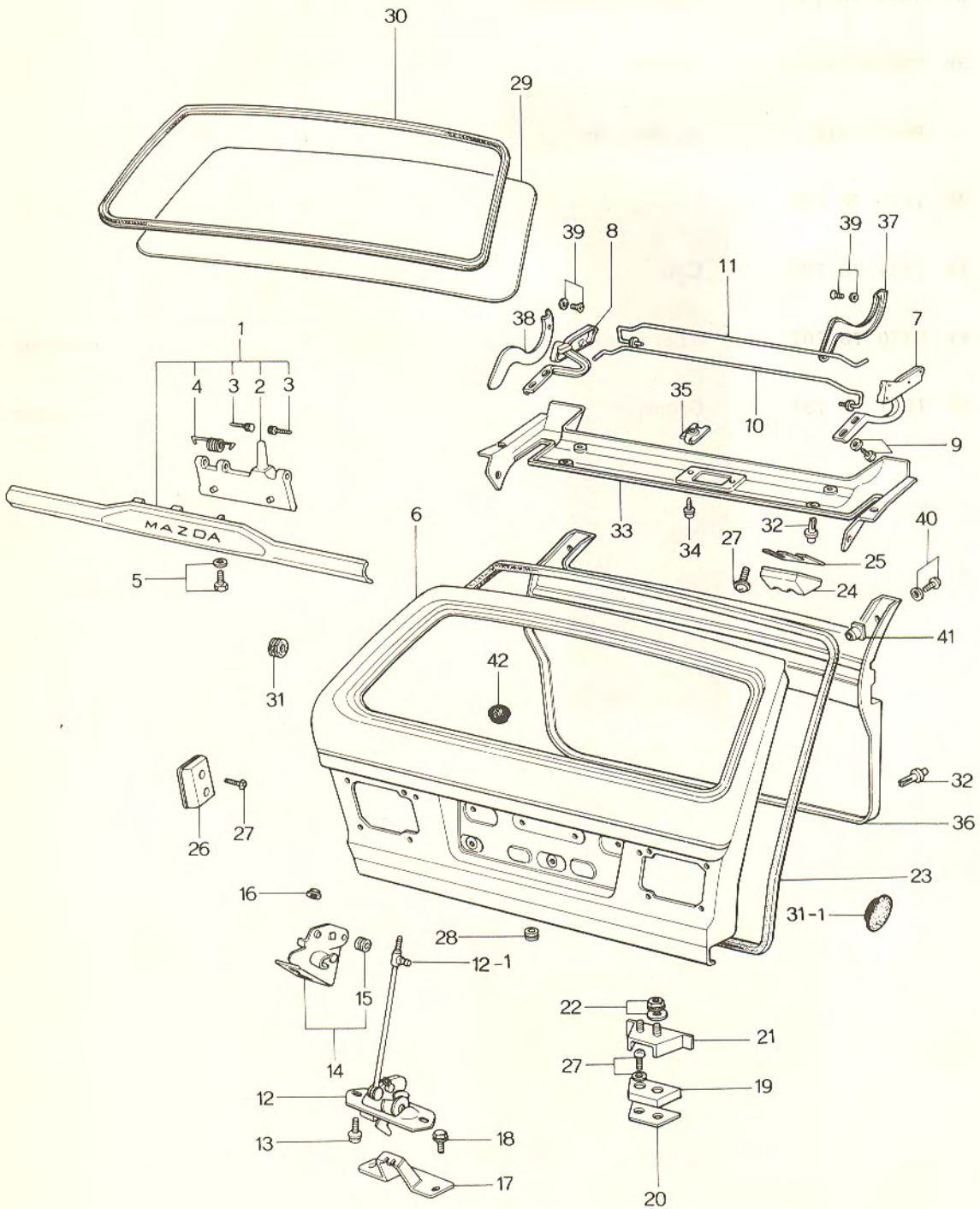
No.	Part Number	Description	Q'ty	Remarks
18	1734 76 707	Bracket (L)	1	
19	1011 76 708	Rubber, Seal	4	
20	1011 76 712	Bracket	1	
21	99906 04008	Nut	4	
	99971 08008	Washer, Spring	4	
22	99869 04008	Nut, Speed	5	
23	99846 04128	Screw, Tapping	9	
24	1011 76 717	Band	1	
25	1734 76 718	Connector	1	
26	1734 76 719	Connector	1	
27	1011 76 721	Clip	1	
28	1011 76 722	Harness, Wire	1	
	1734 76 722	Harness, Wire	1	$\frac{7}{8}$ ~○
29	1011 76 723	Clip	3	
30	1011 76 724	Rivet	5	
31	1011 76 725	Clip	1	
32	1011 76 726	Plug	1	
33	1011 76 727	Lining	1	
34	99806 05168	Bolt	4	
	99971 05008	Washer, Spring	4	
35	1011 76 731	Plate, Nut	2	

CONTROL & COOLING UNIT

61

76

No.	Part Number	Description	Q'ty	Remarks
36	1011 76 732	Clip	4	
37	1011 76 734	Valve, Expansion	1	
38	99833 0410B	Screw	1	
	99971 0400	Washer, Spring	1	
39	1011 76 733	Lining	1	
40	1734 76 735	Clip	1	
● 41	0370 76 707	Thermister	1	$\frac{7}{11}$ ~ Added Anew
● 42	1011 76 737	Grommet	1	$\frac{7}{3}$ ~ Added Anew



BACK DOOR (WAGON)

62
63

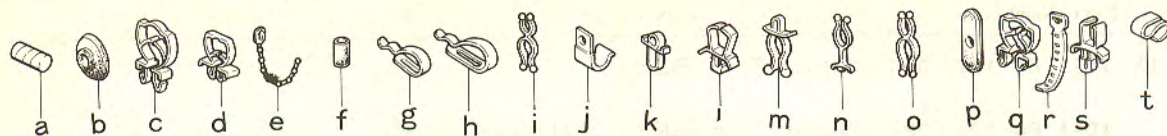
No.	Part Number	Description	Q'ty	Remarks
1	1029 50 890	Handle, Outer	1	
2	1029 50 892	Lever	1	
3	1029 50 893	Pin	2	
4	1029 50 894	Spring	1	
5	99796 0512	Bolt, Outer Handle	4	
	99785 0516	Bolt, Outer Handle	4	$\frac{7}{12}$ ~○
	99952 0516	Washer, Plain	4	
6	0698 62 010A	Door, Back Body	1	
	0698 62 010B	Door, Back - Body	1	From Car No. 1
7	1029 62 210B	Hinge (R)	1	
	1029 62 210C	Hinge (R)	1	$\frac{7}{8}$ ~X
8	1029 63 210C	Hinge (L)	1	
9	99784 0825	Bolt, Hinge	8	
	99951 0818	Washer, Plain	8	
10	1029 62 290A	Spring (R), Balance	1	
	1029 62 290B	Spring (R), Balance	1	From Car No. 1
11	1029 63 290A	Spring (L), Balance	1	
	1029 63 290B	Spring (L), Balance	1	From Car No. 1
12	1029 62 310	Lock, Back Door	1	
●	1029 62 310A	Lock, Back Door	1	$\frac{7}{8}$ ~△
●12-1	0305 58 314B	Bush	1	From Car No. 1
13	99796 0814	Bolt, Back Door Lock	2	
	99952 0816	Washer, Plain	2	
14	1029 62 320	Control, Remote-Back Door	1	
15	0824 58 546A	Bush	1	

No.	Part Number	Description	Q'ty	Remarks
16	99940 0602	Nut, Remote Control	2	
17	1029 62 361	Striker, Back Door Lock	1	
18	99796 0814	Bolt, Striker	2	
	99952 0816	Washer, Plain	2	
19	0621 62 640A	Wedge	2	
20	0621 62 641	Shim	—	Selective use
	0621 62 642	Shim		
21	0621 62 650	Dovetail	2	
22	99940 0602	Nut, Dovetail	4	
	99952 0600	Washer, Plain	4	
23	1029 62 761	Weatherstrip, Back Door	1	
	1029 62 761A	Weatherstrip, Back Door	1	$\frac{7}{8}$ ~○
24	1029 62 811	Wedge, Upper	2	
25	1029 62 815	Shim, Upper Wedge	2	
26	1029 62 821	Wedge, Side	2	
27	99765 0616	Bolt, Wedge	12	
	99765 0616B	Bolt, Wedge	12	$\frac{7}{8}$ ~○
28	1029 62 861	Gasket	1	
29	1029 63 931C	Glass, Back Window (Blue Pane), With Heating Wire	1	
	0698 63 931A	Glass, Back Window (Blue Pane)	1	
30	1029 63 932	Weatherstrip	1	
	1029 63 932A	Weatherstrip	1	From Car No. 1
31	99686 0801	Protector (Cars With Heating Wire)	2	
31-1	0136 56 112	Plug, Hole (Cars Without Heating Wire)	2	From Car No. 1

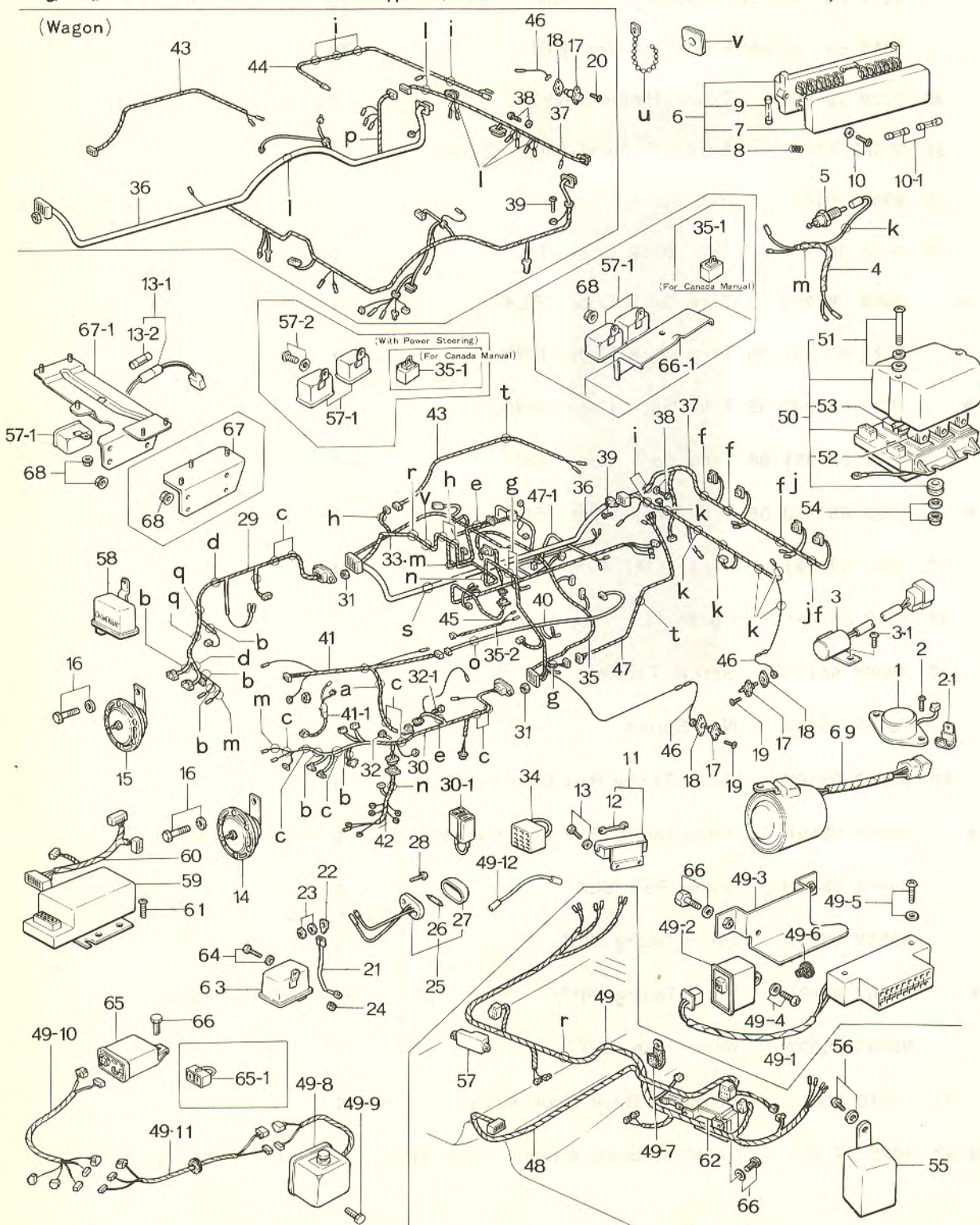
BACK DOOR (WAGON)

62
63

No.	Part Number	Description	Q'ty	Remarks
32	1011 64 181A00	Fastener, Trim (BLK)	10	
	1011 64 181A02	Fastener, Trim (GRY)	10	Selective use
	1011 64 181A05	Fastener, Trim (BRN)		
33	1029 68 061A	Cover, Hinge (GRY)	1	
34	99863 0416	Screw, Tapping-Hinge Cover	2	
35	99896 0400	Nut, Spring	2	
36	0698 68 951	Trim, Back Door (BLK)	1	
●	0698 68 960	Trim, Back Door (BLK)	1	$\frac{73}{10} \sim \triangle$
	1029 68 951-05	Trim, Back Door (BRN)	1	Selective use
●	1029 68 960-05	Trim, Back Door (BRN)	1	
	1029 68 951-08	Trim, Back Door (GRY)	1	
●	1029 68 960-08	Trim, Back Door (GRY)	1	$\frac{73}{10} \sim \triangle$
37	1029 68 081	Cover (R), Arm-Hinge	1	
38	1029 68 091	Cover (L), Arm-Hinge	1	
39	99862 0512C	Screw, Tapping	4	
	99967 0500A	Nut, Spring	4	
40	99862 0516B	Screw, Tapping-Back Door Trim (BLK)	5	
●	99867 0516B	Screw, Tapping-Back Door Trim (BLK)	5	From Car No. 1
	99967 0500B	Washer, Plain (BLK)	5	Selective use
	99862 0516C	Screw, Tapping (WHT)	5	
●	99867 0516C	Screw, Tapping (WHT)	5	From Car No. 1
	99967 0500A	Washer, Plain (WHT)	5	
41	99910 0501	Grommet, Back Door Body	5	
●	42 1029 67 916	Grommet, Back Window Wiper Hole	1	From Car No. 1



(Wagon)



ELECTRIC EQUIPMENT (BODY)

66
67

No.	Part Number	Description	Q'ty	Remarks
1	1114 18 890A	Switch, Thermo	1	
2	99868 0510	Screw, Thermo Switch	2	
	99971 0500	Washer, Spring	2	
2-1	99276 0506	Clip, Thermo Switch	1	$\frac{73}{10}$ ~ Added Anew ● $\frac{74}{11}$ ~ Discarded
● 3	2329 18 930B	Detector, Thermo	1	$\frac{74}{11}$ ~ Discarded
● 3-1	99769 0512B	Screw, Thermo Detector	1	
4	1175 51 431	Wiring, Trunk Room Lamp	1	
5	0305 60 690	Switch, Trunk Room Lamp	1	
6	1175 66 730	Block, Fuse	1	
7	1175 66 732	Cover	1	
8	0866 66 733	Spring, Return	1	
9	99706 0110	Fuse (10 A)	6	
	99706 0115	Fuse (15 A)	2	
	99706 0120	Fuse (20 A)	4	$\frac{73}{12}$ ~ Q'ty
			3	
10	99833 0525	Screw, Fuse Block	2	
	99971 0500	Washer, Spring	2	
10-1	1011 66 130	Fuse Set	1	$\frac{73}{12}$ ~ Added Anew

66

67

ELECTRIC EQUIPMENT (BODY)

No.	Part Number	Description	Q'ty	Remarks
11	1175 66 760	Block, Main Fuse	1	
12	1175 66 763	Fuse (70A)	1	
●	1907 66 761	Fuse (63A)	2	$\frac{7}{8}$ ~○
13	99863 0520	Screw, Main Fuse Block	2	
	99865 0512	Screw, Main Fuse Block	2	$\frac{7}{10}$ ~○
●	99952 0500	Washer, Spring	2	$\frac{7}{10}$ ~ Discarded
● 13-1	3564 66 740	Holder, Fuse	1	$\frac{7}{10}$ ~ Added Anew
●	1175 66 740	Holder, Fuse	1	$\frac{7}{11}$ ~ X
13-2	99706 0105	Fuse (5 A)	1	
14	1011 66 780A	Horn, Electric (High Tone)	1	
15	1011 66 790A	Horn, Electric (Low Tone)	1	
16	99785 0612	Bolt, Electric Horn	2	
	99952 0600	Washer, Plain	2	
17	0209 66 820	Switch, Door	(Hardtop) 2 (Sedan) 4 (Wagon) 5	
18	0209 66 821	Washer, Adjust	(Hardtop) 2 (Sedan) 4 (Wagon) 5	
19	99864 0412	Screw, Door Switch	(Hardtop) 4 (Sedan & Wagon) 8	
20	99869 0512	Screw, Door Switch	(Wagon) 2	

ELECTRIC EQUIPMENT (BODY)

66
67

No.	Part Number	Description	Q'ty	Remarks
21	1820 66 871	Wire, Earth-Engine	1	
22	1820 66 872	Tab, Earth Wire	1	
23	99940 0600	Nut, Earth Wire	1	
	99952 0600	Washer, Plain	1	
24	99940 0800	Nut, Earth Wire	1	
25	0813 66 980	Lamp, Trunk Room	1	
	1175 51 440	Lamp, Trunk Room	1	$\frac{73}{10}$ ~ ○
26	0114 66 154	Bulb	1	
	99701 5050	Bulb	1	$\frac{73}{10}$ ~ ○
27	0813 66 972	Lens	1	
	0243 66 152	Lens	1	$\frac{73}{10}$ ~ ×
28	99863 0412	Screw, Trunk Room Lamp	2	
29	1114 67 010D	Harness (R), Wire-Front	1	
	1114 67 010E	Harness (R), Wire-Front	1	From Car No. 1
	1114 67 010F	Harness (R), Wire-Front	1	$\frac{73}{10}$ ~ △
●	3564 67 010	Harness (R), Wire-Front	1	$\frac{74}{11}$ ~ ×
●	30 1790 67 020B	Harness (L), Wire-Front (W/O P.S.)	1	From Car No. 1

Sedan & Hardtop

66

67

ELECTRIC EQUIPMENT (BODY)

No.	Part Number	Description	Q'ty	Remarks
	3523 67 020A	Harness (L), Wire-Front (With P.S.)	1	From Car No. 1
	1790 67 020B	Harness (L), Wire-Front	1	$\frac{7}{8}$ " ~ X
●	3564 67 020	Harness (L), Wire-Front	1	$\frac{7}{8}$ " ~ X
30-1	1175 67 021	Link, Fusible	1	From Car No. 1
31	99940 0600	Nut, Front Wire Harness	4	
32	99786 0625	Screw, Front Wire Harness	1	
●	99786 0640	Screw, Front Wire Harness	1	$\frac{7}{8}$ " ~ Δ
	99952 0600	Washer, Plain	1	
●	99952 0618	Washer, Plain	1	$\frac{7}{8}$ " ~ Δ
32-1	99862 0512	Screw, Front Wire Harness	1	From Car No. 1
33	1708 67 030E	Harness, Wire-Instrument	1	
	1708 67 030F	Harness, Wire-Instrument	1	$\frac{7}{8}$ " ~ Δ
●	3564 67 030	Harness, Wire-Instrument	1	$\frac{7}{8}$ " ~ X
34	1011 67 031	Coupler, Short (Manual)	1	
35	1757 67 040A	Harness, Wire-Dashboard	1	
●	3565 67 040A	Harness, Wire-Dashboard	1	$\frac{7}{8}$ " ~ X
●	3566 67 040	Harness, Wire-Dashboard	1	$\frac{7}{8}$ " ~ X
●	3564 67 040	Harness, Wire-Dashboard (U.S.A.)	1	$\frac{7}{8}$ " ~ X
●	3586 67 040	Harness, Wire-Dashboard (Canada)	1	$\frac{7}{8}$ " ~ X

Selective use
(U.S.A.)

ELECTRIC EQUIPMENT (BODY)

66
67

No.	Part Number	Description	Q'ty	Remarks
● 35-1	3586 67 023	Connector, Short (Manual Canada)	1	7 $\frac{3}{10}$ ~ Added Anew
● 35-2	3564 67 034	Wire, Choke Lamp (U.S.A.)	1	7 $\frac{3}{10}$ ~ Added Anew
36	1029 67 050C	Harness (Rr.) No. 1, Wire (Wagon)	1	
	1029 67 050D	Harness (Rr.) No. 1, Wire (Wagon)	1	From Car No. 1
	1029 67 050E	Harness (Rr.) No. 1, Wire (Wagon)	1	7 $\frac{3}{11}$ ~ Δ
●	3570 67 050	Harness (Rr.) No. 1, Wire (Wagon)	1	7 $\frac{3}{11}$ ~ \times
	1175 67 050	Harness (Rr.) No. 1, Wire (Sedan & Hardtop)	1	
	1175 67 050A	Harness (Rr.) No. 1, Wire (Sedan & Hardtop)	1	From Car No. 1
37	1029 67 060B	Harness (Rr.) No. 2, Wire (Wagon)	1	
	1175 67 060	Harness (Rr.) No. 2, Wire (Sedan & Hardtop)	1	
●	3564 67 060	Harness (Rr.) No. 2, Wire (Sedan & Hardtop)	1	7 $\frac{3}{11}$ ~ \times
38	99786 0610	Bolt, Rear Wire Harness No. 2 Earth	1	
39	99863 0520	Screw, Rear Wire Harness No. 1	1	
●	99865 0520	Screw, Rear Wire Harness No. 1 (Sedan & Hardtop)	1	7 $\frac{3}{4}$ ~ \bigcirc
●	99786 0612	Bolt, Rear Wire Harness No. 1 (Wagon)	1	7 $\frac{3}{5}$ ~ \times
40	1674 67 070A	Harness, Wire - T/mission	1	
●	1674 67 070B	Harness, Wire - T/mission	1	7 $\frac{3}{4}$ ~ \times
41	1790 67 070A	Harness, Wire - Engine	1	
●	3564 67 070A	Harness, Wire - Engine	1	7 $\frac{3}{10}$ ~ \times
● 41-1	3564 67 071	Cord, Oil Level Switch	1	7 $\frac{3}{10}$ ~ Added Anew 7 $\frac{3}{10}$ ~ Discarded

66

67

ELECTRIC EQUIPMENT (BODY)

No.	Part Number	Description	Q'ty	Remarks
42	1011 67 080C	Harness, Wire-Ignition Coil	1	
	1011 67 080D	Harness, Wire-Ignition Coil	1	From Car No. 1
	1011 67 080E	Harness, Wire-Ignition Coil	1	
●	3564 67 080A	Harness, Wire-Ignition Coil	1	$\frac{74}{10}$ ~X
43	1011 67 100	Harness, Wire-Interior Lamp	1	
	1011 67 100A	Harness, Wire-Interior Lamp	1	$\frac{73}{10}$ ~△
44	1029 67 100A	Harness, Wire-Interior Lamp (Wagon)	1	
45	1011 67 120C	Harness, Wire-Parking Brake	1	
46	1003 67 141	Cord, Door Switch (Wagon)	1	
		(Sedan & Hardtop)	2	
	0623 66 731	Cord, Door Switch (Sedan)	2	
		(Wagon)	4	
47	1011 67 150A	Harness, Wire-Over Head Console	1	
47-1	1015 67 160A	Harness, Wire-Inhibitor (Automatic)	1	
48	1757 67 220A	Harness No. 1, Engine Interlock	1	
	1757 67 220B	Harness No. 1, Engine Interlock	1	From Car No. 1
●	1757 67 220C	Harness No. 1, Engine Interlock	1	$\frac{74}{10}$ ~X
49	1757 67 230	Harness No. 2, Engine Interlock	1	Car No. 1 Discarded
49-1	1911 67 230A	Wiring, B.W.S.	1	} $\frac{73}{11}$ ~ Added Anew
49-2	1016 67 620	Relay, Neutral	1	
		(Canada)	1	
49-3	1911 67 880	Bracket, Relay	1	
49-4	99868 0510	Screw, Relay	1	

ELECTRIC EQUIPMENT (BODY)

66
67

No.	Part Number	Description	Q'ty	Remarks
	99952 0500	Washer, Plain	1	
● 49-5	99868 0520	Screw, Bracket	2	
	99868 0525	Screw, Bracket (Canada)	2	$\frac{73}{11}$ ~ Added Anew $\frac{73}{11}$ ~ \triangle
	99952 0500	Washer, Plain	2	
● 49-6	0259 52 301	Grommet	1	$\frac{74}{6}$ ~ Added Anew
● 49-7	2667 15 303A	Clip, Interlock	1	
● 49-8	1907 66 210	Switch, Over Ride	1	$\frac{74}{6}$ ~ Added Anew
●	3564 66 210	Switch, Over Ride	1	$\frac{74}{10}$ ~ \times
●	1907 66 210	Switch, Over Ride	1	$\frac{74}{11}$ ~ \times
● 49-9	99786 0612	Screw, Over Ride Switch	2	$\frac{74}{6}$ ~ Added Anew
● 49-10	1907 67 230	Wiring No. 1, Adapter	1	$\frac{74}{6}$ ~ Added Anew
● 49-11	1907 67 240	Wiring No. 1, Adapter	1	$\frac{74}{10}$ ~ Discarded
● 49-12	1011 67 061	Cord, Fuel (Sedan & Hardtop)	1	$\frac{74}{4}$ ~ Added Anew
50	1755 67 560	Unit, Central Control (Sedan & Wagon)	1	
	1757 67 560	Unit, Central Control (Hardtop)	1	
51	0866 66 718	Screw	2	
	0866 67 718	Screw	2	
	99952 0500	Washer, Plain	2	
●	99952 0500B	Washer, Plain	2	$\frac{74}{5}$ ~ \circ

66

67

ELECTRIC EQUIPMENT (BODY)

No.	Part Number	Description	Q'ty	Remarks
	99971 0500	Washer, Spring	2	
●	99971 0500B	Washer, Spring	2	$\frac{7}{8}$ ~○
52	0866 66 719	Relay	4	
	0866 67 719	Relay	4	From Car No. 1
53	1757 67 562	Unit, Flasher (Sedan & Wagon)	1	
	1755 67 562	Unit, Flasher (Sedan & Wagon)	1	From Car No. 1
	1757 67 562	Unit, Flasher (Hardtop)	1	
54	99940 0600	Nut, Central Control Unit	3	
	99952 0618	Washer, Plain	3	
55	1755 67 660	Relay, Lamp Checker (Sedan & Wagon)	1	
	1757 67 660	Relay, Lamp Checker (Hardtop)	1	
56	99860 0510	Screw, Lamp Checker Relay	1	
	99952 0500	Washer, Plain	1	
57	1757 67 700	Timer, Engine Interlock	1	
●	57-1 1220 67 740	Relay, 3 Point	(Manual For Canada) 2 (Manual For U.S.A. & Automatic For Canada) 3 (Automatic For U.S.A.) 4	
●	57-2 99860 0510	Screw, Relay-With P.S. use	(U.S.A.) 2 (Canada) 1	
	99952 0500	Washer, Plain	(U.S.A.) 2 (Canada) 1	
58	1664 67 740	Relay, Choke	1	
●	1078 67 800	Relay, Choke	1	$\frac{7}{10}$ ~×

ELECTRIC EQUIPMENT (BODY)

66
67

No.	Part Number	Description	Q'ty	Remarks
59	1011 67 820	Relay, Intermittent Wiper	1	
60	1011 67 830A	Harness, Wire-Intermittent Wiper	1	
61	99786 0612	Bolt, Intermittent Wiper Relay	1	
62	1757 67 870	Unit, Engine Interlock (For U.S.A.)	1	
●	1887 67 878A	Unit, Engine Interlock (For Canada)	1	$\frac{7}{10}$ ~ Discarded
	1907 67 870A	Unit, Engine Interlock (For U.S.A.)	1	From Car No. 1
63	0862 67 880	Relay, Ignition Coil	1	
●	0839 67 880	Relay, Ignition Coil	1	$\frac{7}{10}$ ~ X
64	99860 0508	Screw, Ignition Coil Relay	1	
	99860 0510	Screw, Ignition Coil Relay	1	
	99952 0500	Washer, Plain	1	
65	1757 67 880	Relay, Starter (For U.S.A.)	1	
65-1	1720 67 132	Connector, Short (For Canada)	1	
66	99794 0612	Bolt, Starter Relay & Bracket	4	
	99952 0600	Washer, Plain	4	
● 66-1	1114 67 970	Bracket, Relay (W/O P.S.)	1	
67	1757 67 990	Bracket, Control Box	1	
● 67-1	3565 67 990	Bracket, Control Box	1	$\frac{7}{10}$ ~ X
●	3564 67 990	Bracket, Control Box (For U.S.A.)	1	$\frac{7}{11}$ ~ X
●	3586 67 990	Bracket, Control Box (For Canada)	1	

66

67

ELECTRIC EQUIPMENT (BODY)

No.	Part Number	Description	Q'ty	Remarks
68	99940 0600	Nut, Bracket	(With P.S.) 3 (W/O P.S. Canada) 4 (W/O P.S. U.S.A.) 5	
● 69	1757 67 720	Buzzer	1	
	1757 67 720A	Buzzer	1	From Car No. 1
a	0823 18 111	Supporter, Engine Wire Harness	1	
b	0866 67 152	Protector, Wire Harness (Frt.) (Sedan & Hardtop)	4	
	0866 67 152	Protector, Wire Harness (Frt.) & Rear No. 1 (Wagon)	6	
c	1011 67 911	Clip (d=20 ϕ), Wire Harness (Frt., L)	6	
	1011 67 911	Clip (d=20 ϕ), Instrument Wire Harness	4	
	1011 67 911	Clip (d=20 ϕ), Engine Wire Harness	1	
d	1011 67 912	Clip (d=12 ϕ), Wire Harness (Frt., R)	6	
e	99709 0255	Band, Wire Harness (Frt., L)	1	
	99709 0255	Band, Instrument Wire Harness	2	
f	1011 67 915	Tube, Wire Harness (Rr.)	5	
g	1011 67 921	Clip (d=5 ϕ), Dashboard Wire Harness	4	
h	1011 67 922	Clip (d=9 ϕ), Dashboard Wire Harness	12	
	99296 1222	Clip, Dashboard Wire Harness	12	
i	99288 1608	Clip, Wire Harness (Rr.) No. 2	1	
j	99276 0806	Clip, Wire Harness (Rr.) No. 2	5	
k	99279 0502	Clip, Wire Harness (Rr.) No. 2	5	
	99279 0502	Clip, Trunk Room Wire Harness	1	

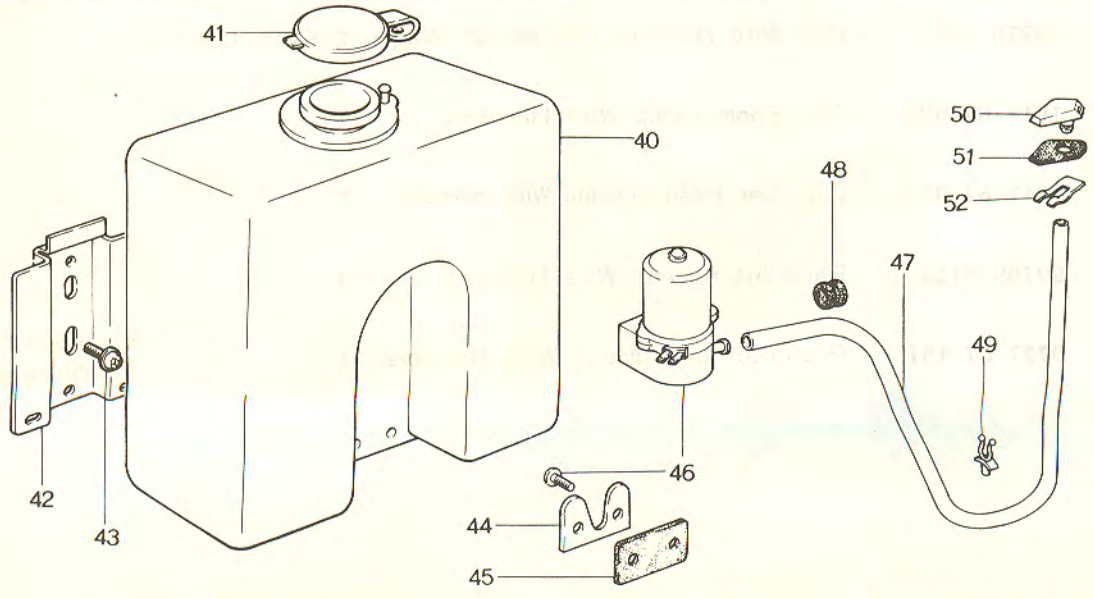
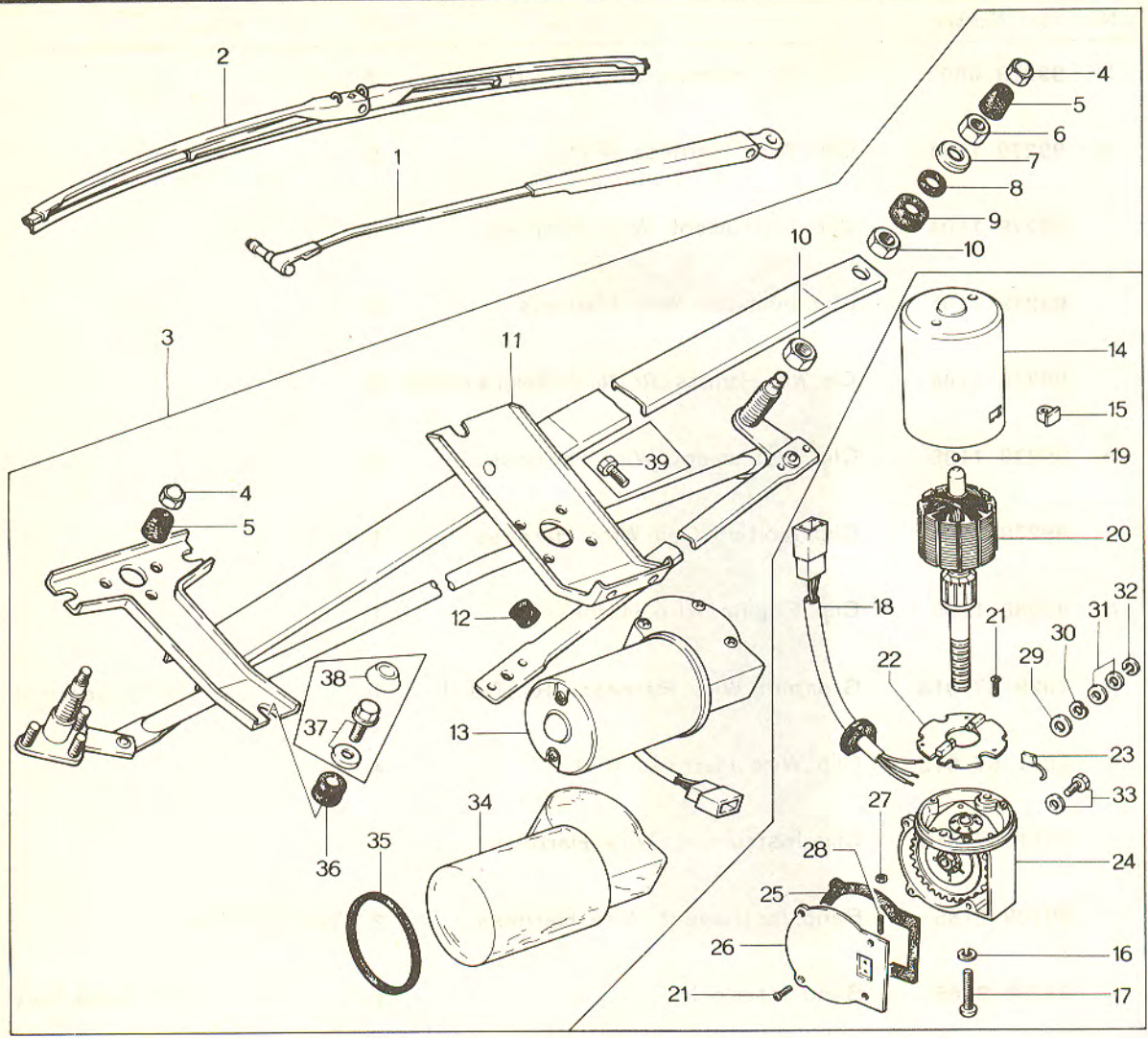
ELECTRIC EQUIPMENT (BODY)

66

67

No.	Part Number	Description	Q'ty	Remarks
l	99279 0803	Clip, Wire Harness (Rr.) No. 2 (Wagon)	7	
m	99279 1104	Clip, Wire Harness (Frnt.)	2	
	99279 1104	Clip, Instrument Wire Harness	3	
	99279 1104	Clip, Inhibitor Wire Harness	2	
	99279 1104	Clip, Wire Harness (Rr.) No. 2 (Sedan & Hardtop)	5	
n	99279 1105	Clip, Instrument Wire Harness	1	
	99279 1105	Clip, Ignition Coil Wire Harness	1	
o	99288 1100	Clip, Engine Wire Harness	1	
p	1029 67 916	Grommet, Wire Harness (Rr.) No. 1	1	$\frac{7}{10}$ ~ Discarded
q	1011 67 913	Clip, Wire Harness (Frnt.)	4	
	1011 67 913	Clip, Instrument Wire Harness	1	
r	99709 2185	Band, Instrument Wire Harness	2	From Car No. 1
	99709 2185	Band, Interlock	1	$\frac{7}{6}$ ~ Added Anew
s	99279 0807	Clip, Wire Harness (Rr.) No. 2 (Wagon)	2	From Car No. 1
t	1011 67 923	Clip, Room Lamp Wire Harness	1	
	1011 67 923	Clip, Over Head Console Wire Harness	1	
u	99709 0108	Band, Instrument Wire Harness	3	
v	0727 67 151	Protector, Instrument Wire Harness	1	$\frac{7}{12}$ ~ Added Anew $\frac{7}{10}$ ~ Discarded

WINDSHIELD WIPER & SCREEN WASHER



WINDSHIELD WIPER & SCREEN WASHER



No.	Part Number	Description	Q'ty	Remarks
1	1708 67 321	Arm, Wiper	2	
	1757 67 321	Arm, Wiper	2	From Car No. 1
2	1011 67 330 A	Blade, Wiper	2	
	1757 67 330	Blade, Wiper	2	From Car No. 1
3	1708 67 340	Motor & Link	1	
	1757 67 340	Moror & Link	1	From Car No. 1
4	1011 76 603	Nut, Cap	2	
5	1011 76 604	Cap, Seal	2	
6	1011 76 605	Nut	1	
7	1011 76 606	Washer, Cup	1	
● 8	0618 87 344	Gasket	2	
9	1011 76 607	Bush, Inner	1	
10	0259 87 134	Nut	2	
11	1780 76 601	Link, Wiper	1	
	1757 76 601	Link, Wiper	1	From Car No. 1
12	1011 76 608	Grommet	2	
13	1708 67 350	Motor, Wiper (Fig. No. 14~33 included)	1	
	1757 67 350	Motor, Wiper (Fig. No. 14~33 included)	1	From Car No. 1
14	0259 87 109 A	Yoke	1	
	2835 87 922	Yoke	1	From Car No. 1
15	0257 87 108	Nut	2	
16	99971 0500	Washer, Spring	2	
17	0257 87 107	Screw	2	
18	1708 76 611	Harness, Wire	1	
	1757 76 611	Harness, Wire	1	From Car No. 1
19	0259 87 107	Ball	2	
	2835 87 928	Ball	2	From Car No. 1



WINDSHIELD WIPER & SCREEN WASHER

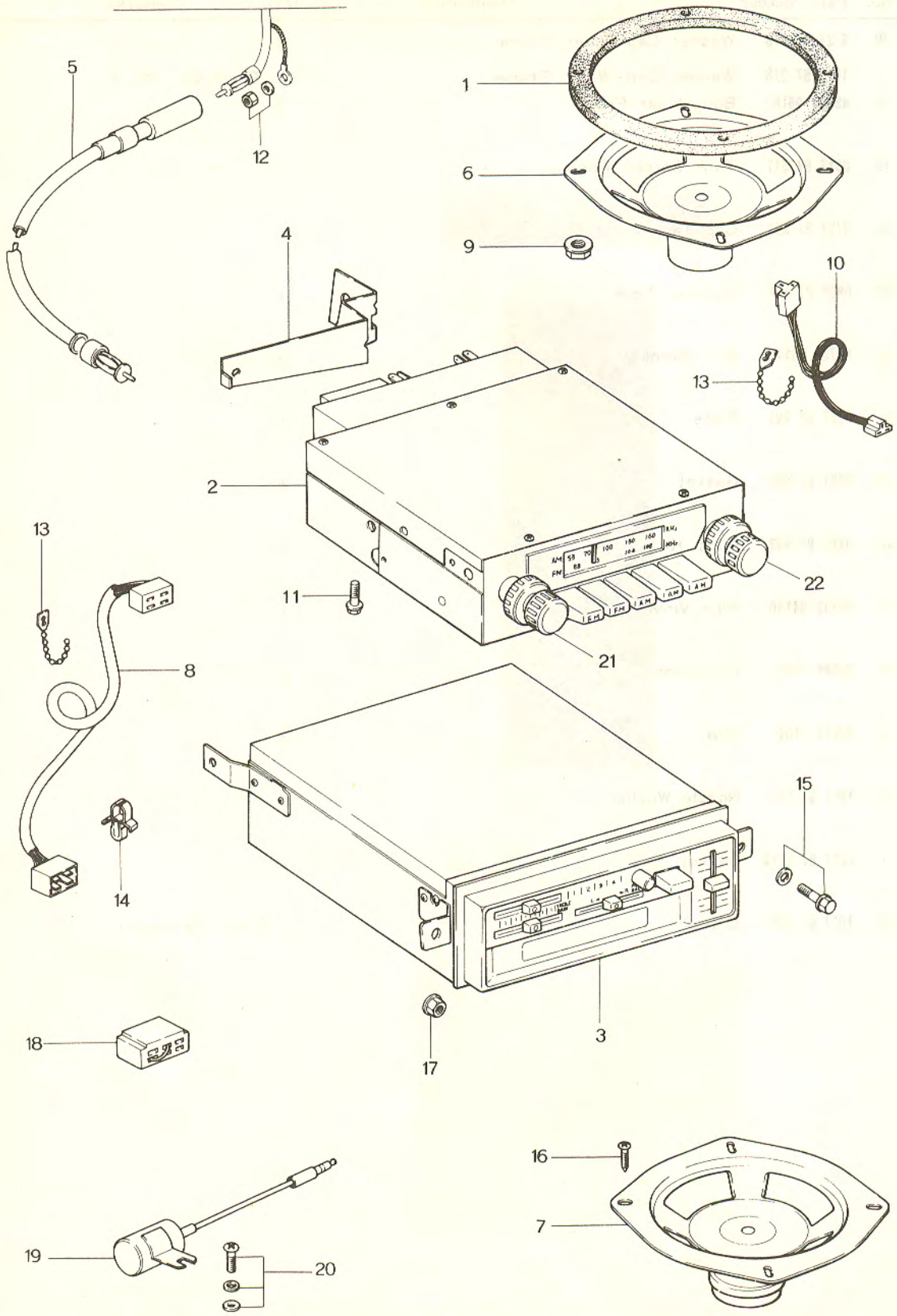
No.	Part Number	Description	Q'ty	Remarks
20	0259 87 108 A	Rotor	1	
	2835 87 923	Rotor	1	From Car No. 1
21	0259 87 105	Screw	7	
	2835 87 926	Screw	4	From Car No. 1
22	1011 76 612 A	Plate, Brush Holder	1	
23	0259 87 106	Bush	3	
24	1708 76 613	Box, Gear	1	
	1757 76 613	Box, Gear	1	From Car No. 1
25	0259 87 103	Gasket	1	
	2835 87 924	Gasket	1	From Car No. 1
26	0259 87 104 A	Plate, End	1	
	0559 87 925	Plate, End	1	From Car No. 1
27	0259 87 119	Nut	1	
28	0259 87 120	Screw	1	
29	0738 87 803	Felt	1	} Car No. 1 Discarded
30	0702 87 135	Washer, Wave	1	
31	0738 87 804	Washer	2	
32	0702 87 138	Ring, Retaining	1	
33	99806 0510	Bolt, Motor	4	
	99806 0510	Bolt	3	From Car No. 1
	99971 0500	Washer, Spring	4	
	99971 0500	Washer, Spring	3	From Car No. 1
34	1708 76 609	Cover	1	
	1757 76 609	Cover	1	From Car No. 1
35	0305 87 956	Band	1	
36	0824 87 846	Grommet	1	
37	99786 0620	Bolt, Wiper Frame	4	

WINDSHIELD WIPER & SCREEN WASHER

66

87

No.	Part Number	Description	Q'ty	Remarks
38	0727 87 816	Washer, Cap-Wiper Frame	4	
	1011 87 375	Washer, Cap-Wiper Frame	4	From Car No. 1
39	99794 0616	Bolt, Wiper Frame	4	
40	0317 67 511	Tank, Screen Washer	1	
41	0727 87 992	Cap, Tank	1	
42	0866 67 521	Bracket, Tank	1	
43	99786 0612	Bolt, Bracket	2	
44	0727 87 995	Plate	1	
45	0727 87 994	Gasket	1	
46	0305 87 993	Pump Kit	1	
47	99335 04160	Pipe, Vinyl	1	
48	99684 0600	Protector	1	
49	99279 1104	Clip	3	
50	1011 67 510	Nozzle, Washer	1	
51	1011 67 511A	Gasket	1	
52	1011 67 515	Clip	1	From Car No. 1



AUTO RADIO & TAPE PLAYER

66

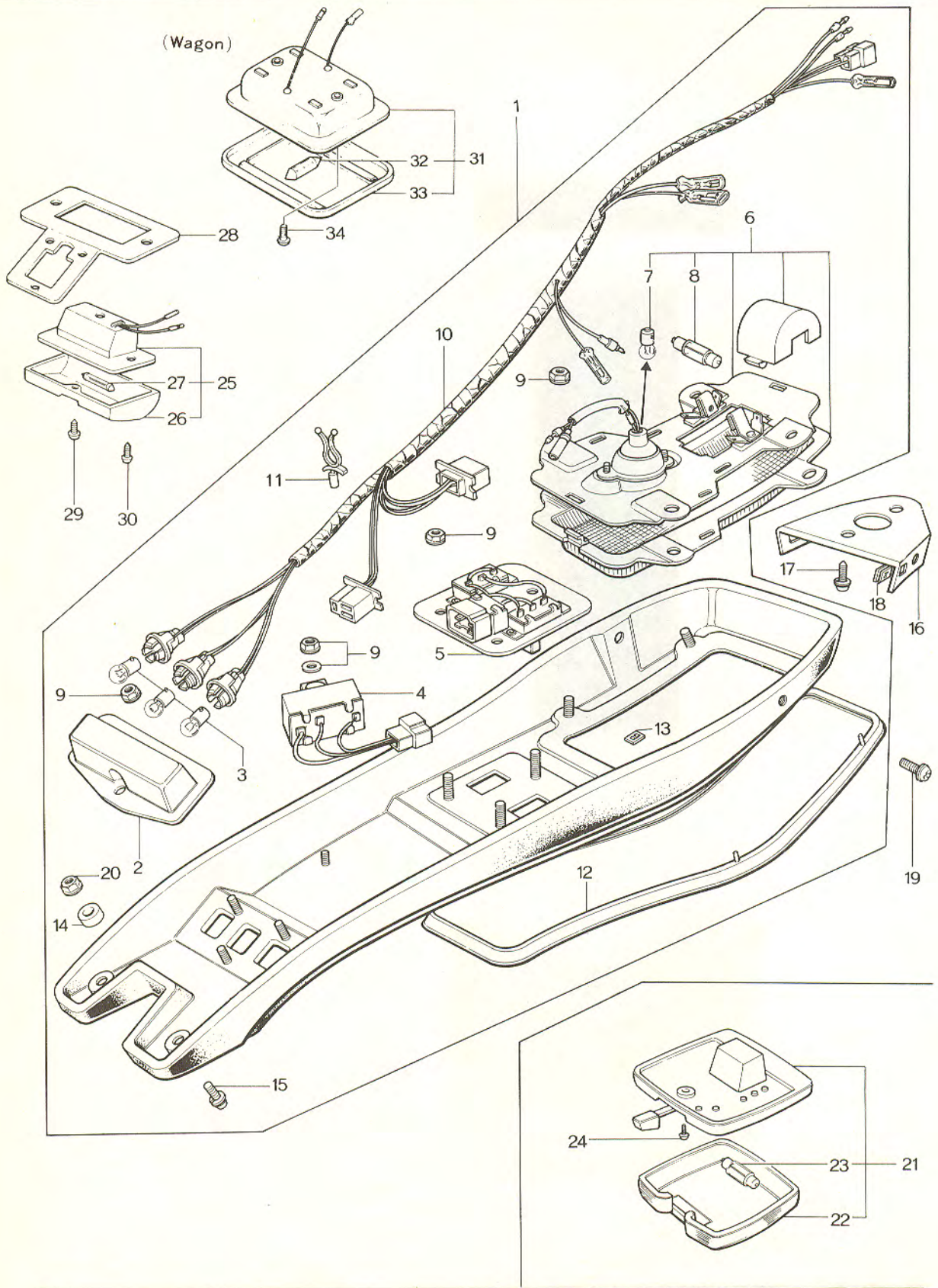
No.	Part Number	Description	Q'ty	Remarks
1	0317 66 862	Partition, Loud Speaker (Auto Radio use)	1	
	1708 66 870	Auto Radio (AM /FM)	1	
	1710 66 870	Auto Radio (AM /SW)	1	
	1711 66 870A	Player, Tape 8	1	
	1737 66 870	Auto Radio (AM)	1	
2	0437 66 900	Tuner (AM)	1	
	1708 66 900	Tuner (AM /FM)	1	
●	1708 66 900A	Tuner (AM /FM)	1	$\frac{3}{4} \sim \Delta$
	1710 66 900	Tuner (AM /SW)	1	
3	1711 66 900	Player, Tape 8	1	
4	1708 66 903	Bracket, Tuner (AM /FM)	1	
●	1737 66 903	Bracket, Tuner (AM /FM)	1	$\frac{3}{4} \sim \times$
	1710 66 903	Bracket, Tuner (AM /SW)	1	
	1737 66 903	Bracket, Tuner (AM)	1	
5	1011 66 935A	Feeder, Antenna	1	} (Auto Radio use)
6	0866 66 960	Loud Speaker	1	
7	0870 66 970A	Loud Speaker	2	} (Tape Player use)
8	1012 66 975	Cord, Loud Speaker	1	

No.	Part Number	Description	Q'ty	Remarks
9	99940 0500	Nut, Loud Speaker	4	
10	1011 66 965	Cord, Loud Speaker	1	
11	99786 0512	Bolt, Tuner	1	(Auto Radio use)
12	99940 0600	Nut, Antenna Earth	1	
	99952 0600	Washer, Plain	1	
13	99709 0108	Band	5 6	(Tape Player use) (Auto Radio use)
14	99279 0401	Clip, Loud Speaker Cord	1	
15	99786 0510	Bolt, Tape Player	1	
	99952 0516	Washer, Plain	1	(Tape Player use)
16	99864 0410	Screw, Loud Speaker	8	
17	99940 0500	Nut, Tape Player	2	
18	1010 66 980	Cord, Short-Without Tape Player	1	
19	0820 66 992	Condenser	2	
20	99833 0410	Screw, Condenser	1	
	99952 0400	Washer, Plain	1	
	99971 0400	Washer, Spring	1	
● 21	1013 66 913	Knob, Balance - Tone	3	
● 22	1013 66 914	Knob, Volume	1	

OVERHEAD CONSOLE & INTERIOR
LAMP



OVERHEAD CONSOLE & INTERIOR LAMP



OVERHEAD CONSOLE & INTERIOR LAMP

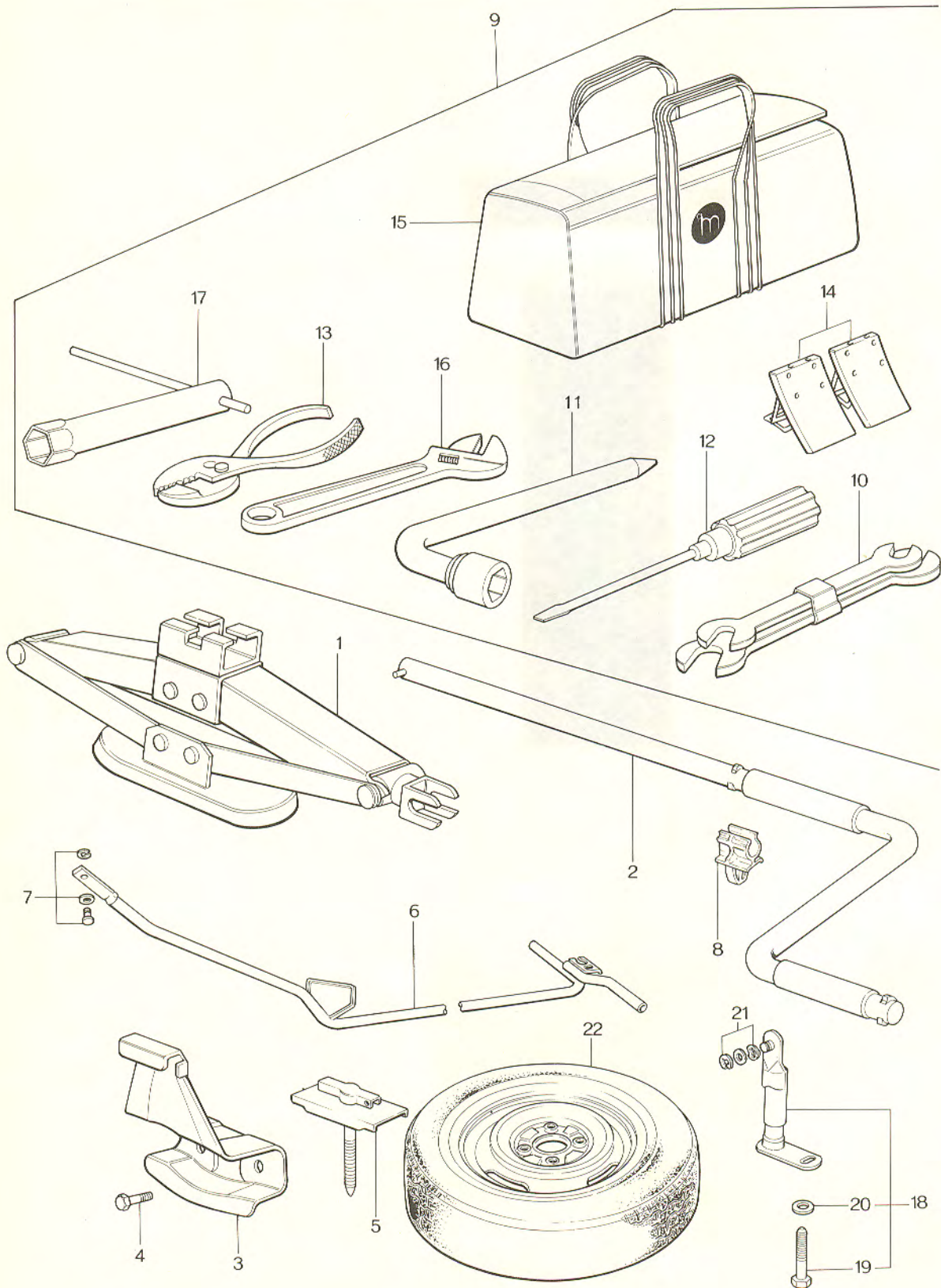
51 ~ 69

No.	Part Number	Description	Q'ty	Remarks
1	1757 69 810	Console, Overhead (BLK)	1	
	1769 69 810-05	Console, Overhead (BRN)	1	Selective use
	1769 69 810-06	Console, Overhead (BLU)	1	
	1769 69 810-07	Console, Overhead (GRN)	1	
2	1757 64 970	Lamp, Indicator	1	
3	99701 1030	Bulb, Indicator Lamp	3	
4	1757 67 690	Timer	1	
●	1757 67 691	Connector Short	1	3/10 ○
5	1011 66 560	Switch, Interior & Map Lamp	1	
6	1011 51 310A	Lamp, Interior	1	
7	1011 51 313	Bulb, Map Lamp	1	
8	99700 5100	Bulb, Interior Lamp	1	
9	99940 0400	Nut	11	
	99952 0618	Washer, Plain - Timer	1	
10	1757 67 170	Harness, Overhead Console Wire	1	
	1757 67 170A	Harness, Overhead Console Wire	1	From Car No. 1
11	99279 0803	Clip, Wire Harness	5	
12	1011 69 831A	Panel, Box (SILV. M)	1	
13	99579 3000	Nut, Speed-Box Panel	5	
14	1011 69 811	Spacer	2	
15	99863 0525B	Screw, Overhead Console	2	
	99952 0500B	Washer, Plain	2	



OVERHEAD CONSOLE & INTERIOR LAMP

No.	Part Number	Description	Q'ty	Remarks
16	1011 69 840	Bracket, Overhead Console	1	
17	99863 0512	Screw, Bracket	2	
	99863 0512B	Screw, Bracket	2	From Car No. 1
18	99896 0500	Nut, Spring	2	
19	99838 0512B	Screw, Overhead Console	2	
	99740 0512	Screw, Overhead Console	2	$\frac{7}{8}$ - \bigcirc
	99952 0500B	Washer, Plain	2	
20	99910 0501	Nut, Overhead Console	2	
21	1004 51 310	Lamp, Interior	1	Without Overhead Console (Sedan & Wagon)
22	1004 51 311	Lens	1	
23	99701 5050	Bulb	1	
24	99838 0514B	Screw, Interior Lamp	2	
25	1650 66 620	Lamp, Warning	1	(Sedan & Wagon)
26	1650 66 621	Lens	1	
27	99701 5050	Bulb	1	
28	1650 66 630	Bracket, Lamp	1	
29	99868 0308B	Screw	1	
30	99869 0412	Screw	2	
31	0621 66 550A	Lamp, Interior	1	(Wagon) From Car No. 1
32	99701 5050	Bulb	1	
33	0621 87 151	Lens	1	
34	99834 0410	Screw, Interior Lamp	2	



No.	Part Number	Description	Q'ty	Remarks
1	1029 37 790	Jack (Wagon)	1	
	0305 68 800F	Jack (Sedan & Hardtop)	1	
2	1029 37 810	Handle, Jack (Wagon)	1	
	0305 68 810A	Handle, Jack (Sedan & Hardtop)	1	
3	1011 56 171	Bracket, Jack (Sedan & Hardtop)	1	
	1029 56 171	Bracket, Jack (Wagon)	1	
•	1029 56 171A	Bracket, Jack (Wagon)	1	$\frac{73}{12} \sim \Delta$
4	99786 0616	Bolt, Jack Bracket	2	
5	1011 56 210	Clamp, Spare Tire (Sedan & Hardtop)	1	
6	1029 56 210	Holder, Spare Tire	1	}
7	99230 0820	Pin, Joint	2	
	99576 0500	Ring, Snap	2	
	99953 0800	Washer, Plain	2	
		(Wagon)		
8	99715 1102	Holder, Rod-Handle (Sedan & Hardtop)	3	
9	0839 68 660	Tool Set	1	
10	0249 68 060A	Spanner Set	1	
11	0810 68 070A	Wrench, Hub Nut	1	
12	0187 68 110A	Driver Set	1	
13	0118 68 180A	Plier	1	
14	0208 68 230	Stopper, Wheel	2	

No.	Part Number	Description	Q'ty	Remarks
15	0839 68 6708	Bag, Tool	1	
16	0866 68 680	Wrench, Monkey	1	
17	0839 68 720	Wrench, Plug	1	
18	0585 70 720A	Lock, Spare Tire	1	
19	0585 70 733A	Bolt, Spare Tire Lock	1	(Wagon)
20	99952 1224	Washer, Plain	1	
21	99576 0700	Ring, Snap-Spare Tire Lock	1	
	99952 1000	Washer, Plain	1	(Wagon)
	99972 1000	Washer, Wave	1	
22	9062 02 7323	Tire, Tubeless Radial - BR70SR13	1	
●	9062 03 7323	Tire, Tubeless Radial - BR70SR13	1	$\frac{7}{8}$ ~ Δ
	9962 10 1753	Tire, Tubeless Radial - 175SR13	1	
	9062 08 7693	Tire, Tubeless Radial - 195/70SR13	1	
	9963 60 4130	Valve, Air - TR413	1	
	9965 06 5530	Wheel, Disc - 5 $\frac{1}{2}$ -J×13WDC	1	(Sedan & Hardtop)
	9965 07 5530	Wheel, Disc - 5 $\frac{1}{2}$ -J×13WDC	1	(Wagon)

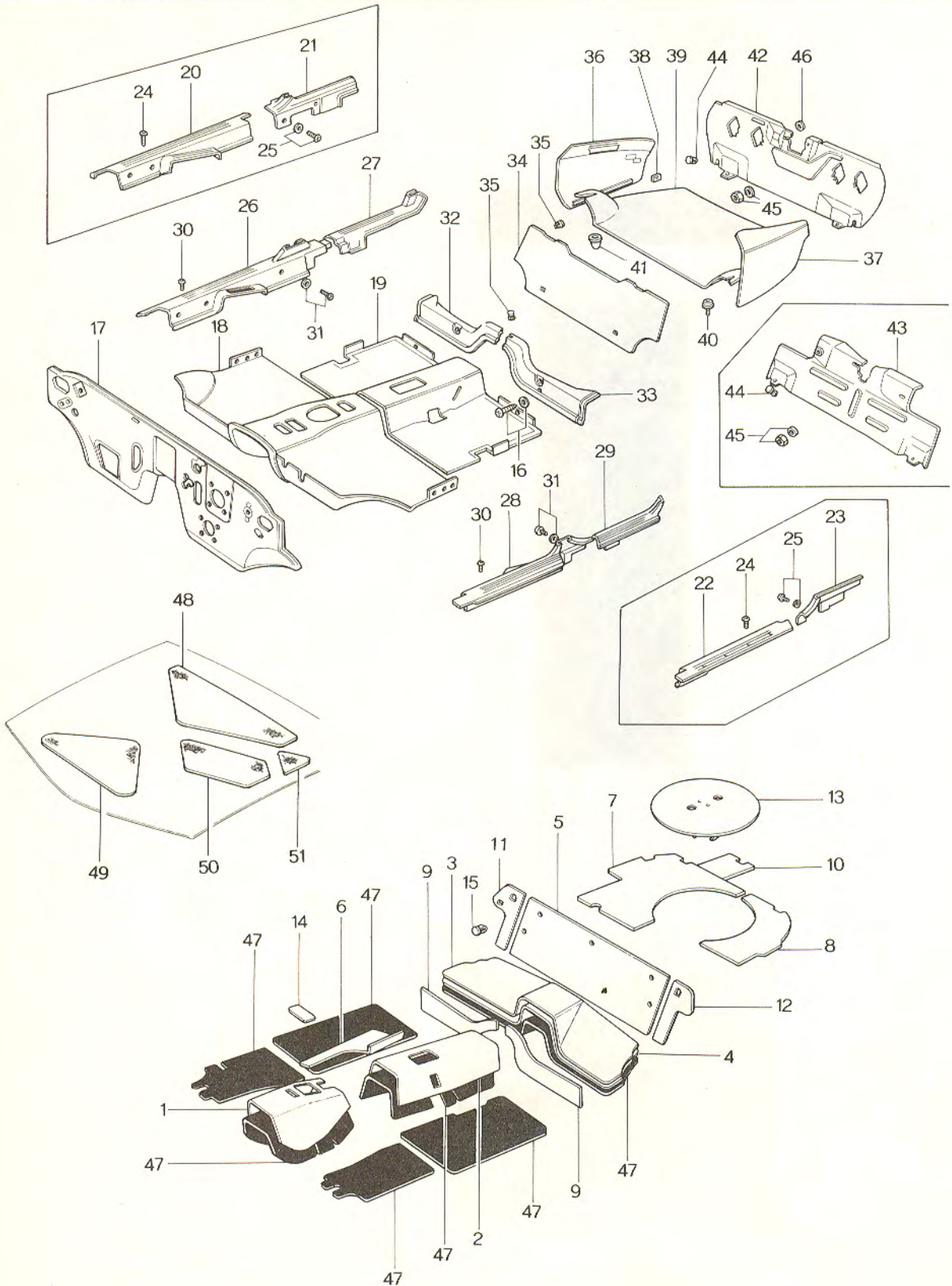
FLOOR MAT & TRIM

(SEDAN & HARDTOP)



FLOOR MAT & TRIM

(SEDAN & HARDTOP)



FLOOR MAT & TRIM

(SEDAN & HARDTOP)

68

No.	Part Number	Description	Q'ty	Remarks
1	1757 68 651	Pad (Frt., C), Floor	1	
2	1757 68 654	Pad (Rr., C), Floor	1	
3	1011 68 657D	Pad, Floor End	1	
	1011 68 657E	Pad, Floor End	1	$\frac{7}{1}$ ~ ○
●	1011 68 657F	Pad, Floor End	1	$\frac{7}{5}$ ~ ○
4	1114 68 657C	Pad, Floor End	1	
	1114 68 657D	Pad, Floor End	1	$\frac{7}{2}$ ~ ○
5	1011 68 658B	Pad, Floor - Seat Back	1	
●	1011 68 658C	Pad, Floor - Seat Back	1	$\frac{7}{5}$ ~ ○
●	1011 68 658D	Pad, Floor - Seat Back	1	$\frac{7}{10}$ ~ ○
6	1114 68 659B	Pad (Rr.), Tunnel Side	1	
7	1757 68 665B	Pad (R), Floor - Trunk Room	1	
8	1757 68 666A	Pad (L), Floor - Trunk Room	1	
9	1114 68 667C	Pad, Rear Member	2	
10	1757 68 667C	Pad, Heat Insulation	1	
11	1011 68 668	Pad (R), Seat Back	1	
12	1011 68 669	Pad (L), Seat Back	1	
13	1011 68 820A	Cover, Spare Tire	1	
●	1011 68 820B	Cover, Spare Tire	1	$\frac{7}{4}$ ~ ○
14	1907 69 685	Pad, Seat - Lower	2	
15	0866 69 885	Fastener, Floor Pad (BLK)	3	
16	99864 0414B	Screw, Tapping - Rear Member	2	
	99864 0420B	Screw, Tapping - Rear Member	2	$\frac{7}{1}$ ~ ○
	99952 0412B	Washer, Plain	2	

When ordering the following Mats

Add colour code nos. given below after parts number

-50 (BLU) -61 (GRN) -70 (BLK) -71 (BRN)

FLOOR MAT & TRIM

(SEDAN & HARDTOP)

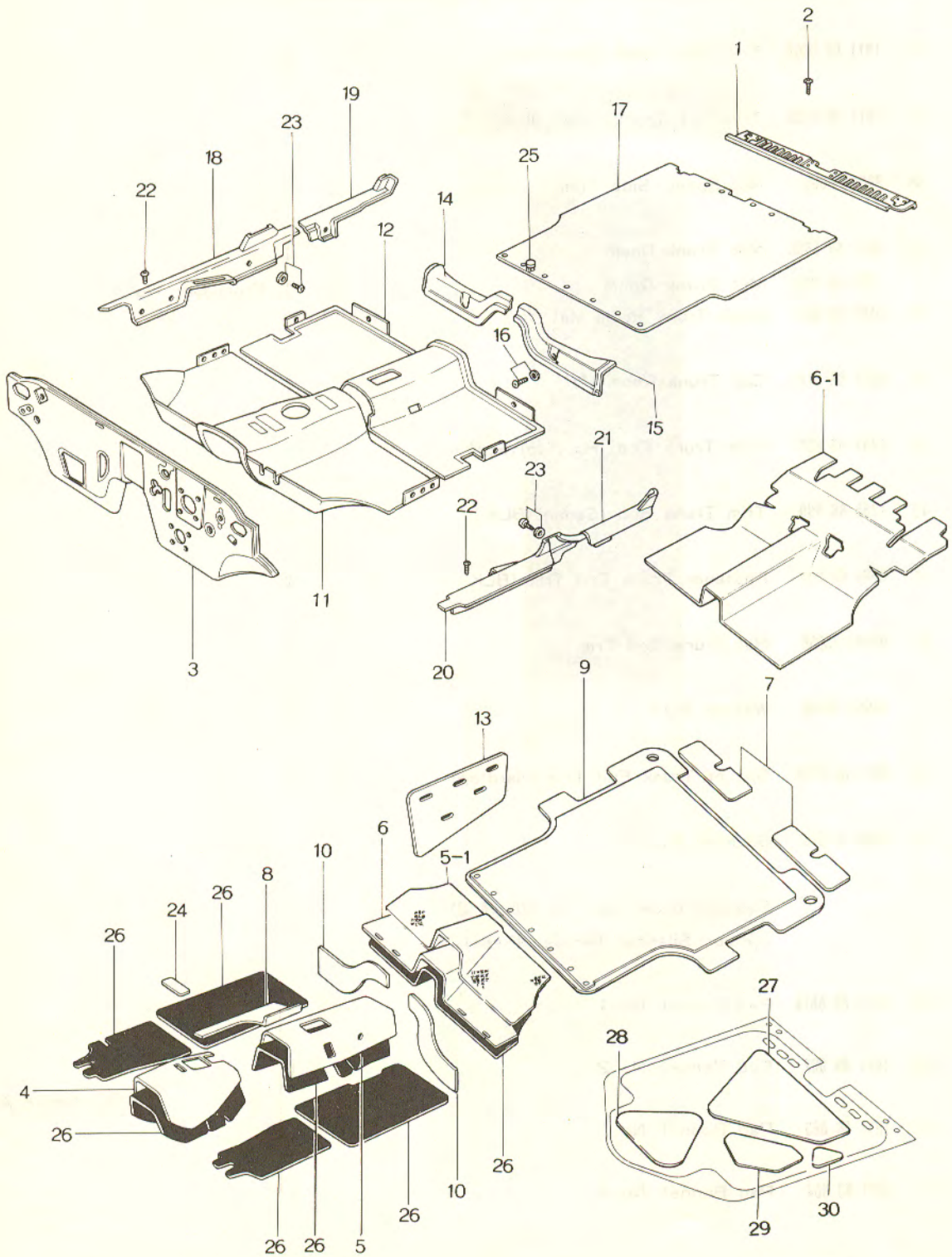
No.	Part Number	Description	Q'ty	Remarks	
17	1737 68 620 A	Insulator, Dashboard	1		
●	1737 68 620 B	Insulator, Dashboard	1	$\frac{7}{8}$ ~ Δ	
18	1757 68 671 C	Mat (Frt.), Floor (Without Air-Con. Hole)	1		
	1769 68 671 C	Mat (Frt.), Floor (With Air-Con. Hole)	1		
●	1757 68 671 C	Mat (Frt.), Floor (With Air-Con. Hole)	1	$\frac{7}{8}$ ~ \times	
19	1757 68 677 C	Mat (Rr.), Floor	1		
20	1011 68 711	Plate (Frt., R), Scarf (BLK)	1	} (Hardtop)	
21	1011 68 716 B	Plate (Rr., R), Scarf (BLK)	1		
22	1011 68 721	Plate (Frt., L), Scarf (BLK)	1		
23	1011 68 726 B	Plate (Rr., L), Scarf (BLK)	1		
24	99862 0425 B	Screw, Tapping-Scarf Plate	8		
25	99864 0414 B	Screw, Tapping-Scarf Plate	8		
●	99864 0416 B	Screw, Tapping-Scarf Plate	8		$\frac{7}{8}$ ~ \circ
	99952 0412 B	Washer, Plain	8		
26	1004 68 711 B	Plate (Frt., R), Scarf (BLK)	1	} (Sedan)	
27	1004 68 716 A	Plate (Rr., R), Scarf (BLK)	1		
28	1004 68 721 B	Plate (Frt., L), Scarf (BLK)	1		
29	1004 68 726 A	Plate (Rr., L), Scarf (BLK.)	1		
30	99862 0425 B	Screw, Tapping-Scarf Plate	10	} (Sedan)	
31	99864 0414 B	Screw, Tapping-Scarf Plate	8		
●	99864 0416 B	Screw, Tapping-Scarf Plate	8		$\frac{7}{8}$ ~ \circ
	99952 0412 B	Washer, Plate	8		
32	1011 68 681 B	Cover (R), Rear Member (BLK)	1		
33	1011 68 682 B	Cover (L), Rear Member (BLK)	1		

FLOOR MAT & TRIM (SEDAN & HARDTOP)

68

No.	Part Number	Description	Q'ty	Remarks
34	1011 68 811A	Board, Partition-Fuel Tank	1	
•	1011 68 811B	Board, Partition-Fuel Tank	1	$\frac{3}{16}$ ~△
35	0866 69 885	Fastener, Rear Member Cover & Partition Board (BLK)	3	
36	1011 68 860A	Trim (R), Trunk Side (BLK)	1	
37	1011 68 870A	Trim (L), Trunk Side (BLK)	1	
38	99578 3000	Nut, Speed-Side Trim	2	
39	1011 68 695B	Mat, Trunk Room	1	
	1757 68 695	Mat, Trunk Room	1	From Car No. 1
40	0187 69 605	Hook, Trunk Room Mat	2	
41	0317 68 018	Cap, Trunk Room Mat	1	
42	1757 68 890	Trim, Trunk End (Hardtop) (BLK)	1	
43	1755 68 890	Trim, Trunk End (Sedan) (BLK)	1	
44	0866 69 885	Fastener, Trunk End Trim (BLK)	4	
45	99945 0500B	Nut, Trunk End Trim	4	
	99952 0516B	Washer, Plain	8	
46	0317 68 013A	Spacer, Trunk End Trim (Hardtop)	4	
47	0208 76 071	Silencer, Floor	—	
		Supplied under part no. 0208 76 071 (Floor Silencer Revised Piece)		
48	1011 68 661A	Pad, Bonnet No. 1	1	} $\frac{3}{16}$ ~Added Anew
49	1011 68 662	Pad, Bonnet No. 2	1	
50	1011 68 663	Pad, Bonnet No. 3	1	
51	1011 68 664	Pad, Bonnet No. 4	1	

Group No.	Description	Fig. Page	Part No.
26	Rear Axle	72	73~74
26	Rear Brake	75	76~78
27	Driving	79	80~81
28	Rear Suspension (Sedan & Hardtop)	82	83~84
28	Rear Suspension (Wagon)	85	86~87
32	Steering System (Wheel)	88	89~92
32	Steering System (Gear & Rod)	93	94~97
32	Steering System (Gear & Rod, Power Steering)	98	99~102
● 32.49	Steering System (Power Steering)	102-A	102-B~102-C
● 32.49	Vane Pump (Power Steering)	102-D	102-E
33	Front Axle	103	104~106
34	Front Suspension	107	108~110
39	Engine & T/mission Bracket	111	112
● 40	EX. Pipe & Silencer	113	114~115-3
● 13.42	Fuel Tank & Piping (Sedan & Hardtop) (Used up to $\frac{7}{8}$)	116	117~121
● 13.42	Fuel Tank & Piping (Sedan & Hardtop) (Used From $\frac{7}{8}$)	121-A	121-B~121-G
● 13.42	Fuel Tank & Piping (Wagon) (Used up to $\frac{7}{8}$)	122	123~128
● 13.42	Fuel Tank & Piping (Wagon) (Used From $\frac{7}{8}$)	128-A	128-B~128-H
41	Accelerator Control System	129	130
41.43	Clutch & Brake Pedal	131	132~133
41	Clutch Release & Master Cylinder (Manual)	134	135~136
43.49	Tandem Master Cylinder & Vacuum Power Assist	137	138~139
43.45	Brake Piping	140	141~143
44	Parking Brake System	144	145~146
46	Change Controls (Automatic)	146-A	146-B~146-C
Body Parts			
● 50	Bumper & Grille (Hardtop) (Used up to $\frac{7}{8}$)	147	148~150



FLOOR MAT & TRIM (WAGON)

68

No.	Part Number	Description	Q'ty	Remarks
1	1029 68 601	Plate, Mat Set	1	
2	99863 0412B	Screw, Tapping-Mat Set Plate	8	
	99863 0416B	Screw, Tapping-Mat Set Plate	8	7/8" ~ ○
3	1737 68 620A	Insulator, Dashboard	1	
●	1737 68 620B	Insulator, Dashboard	1	7/8" ~ △
4	1757 68 651	Pad (Frt., C), Floor	1	
5	1757 68 654	Pad (Rr., C), Floor	1	
5-1	1029 68 656	Insulator, End	1	From Car No. 1
●	1029 68 656A	Insulator, End	1	7/8" ~ △
6	1029 68 657	Pad, Floor End	1	
	1029 68 657A	Pad, Floor End	1	From Car No. 1
●	1029 68 657B	Pad, Floor End	1	7/8" ~ △
● 6-1	1029 68 659	Pad, Floor End	1	7/8" ~ Added Anew
7	1029 68 658	Pad, Mat Set Plate	2	
8	1114 68 659B	Pad, Tunnel Side (Rr.)	1	
9	1029 68 660A	Pad, Trunk Room	1	
●	1029 68 660B	Pad, Trunk Room	1	7/8" ~ △
10	1114 68 667C	Pad, Rear Member	2	

When ordering the following Mats,

add colour code nos. given below after parts number

-50 (BLU) -61 (GRN) -70 (BLK) -71 (BRN)

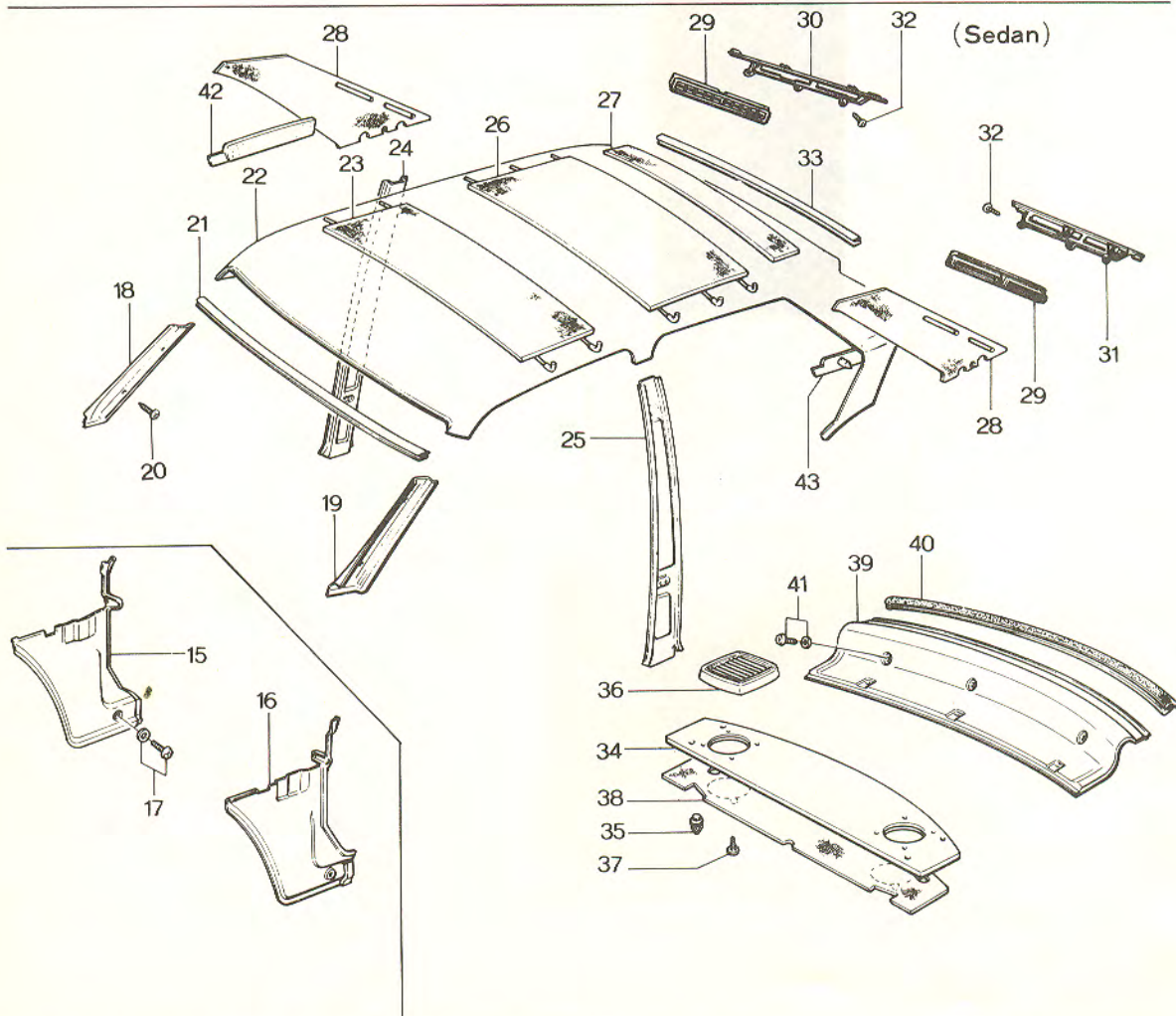
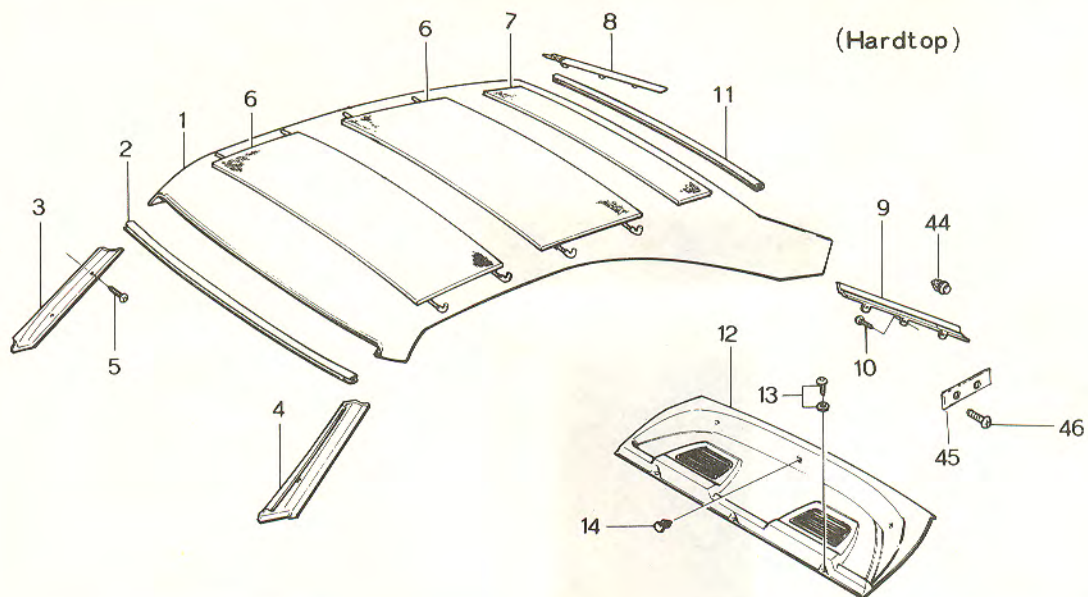
11	1757 68 671	© Mat (Frt.), Floor (Without Air-Con. Hole)	1	
	1769 68 671C	© Mat (Frt.), Floor (With Air-Con. Hole)	1	
●	1757 68 671	© Mat (Frt.), Floor (With Air-Con. Hole)	1	7/8" ~ ×
12	1757 68 677	© Mat (Rr.), Floor	1	
13	1029 68 680	Insulator, Trunk Room (R)	1	
14	1011 68 681B	Cover (R), Rear Member (BLK.)	1	
15	1011 68 682B	Cover (L), Rear Member (BLK.)	1	
16	99864 0414B	Screw, Rear Member Cover	2	
	99864 0420B	Screw, Rear Member Cover	2	7/8" ~ ○
	99952 0412B	Washer, Plain	2	7/8" ~ ○
17	1791 68 695	© Mat, Trunk Room	1	
18	1004 68 711B	Plate (Frt., R), Scarf (BLK)	1	

FLOOR MAT & TRIM (WAGON)

No.	Part Number	Description	Q'ty	Remarks
19	1004 88 716A	Plate (Rr., R), Scarf (BLK)	1	
20	1004 88 721B	Plate (Frt., L), Scarf (BLK)	1	
21	1004 88 726A	Plate (Rr., L), Scarf (BLK)	1	
22	99862 04258	Screw, Tapping	10	
23	99864 0414B	Screw, Scarf Plate	8	
●	99863 0416B	Screw, Scarf Plate	8	$\frac{7}{8}$ ~○
	99952 0412B	Washer, Plain	8	
24	1907 69 685	Pad, Seat - Lower	2	
25	0866 69 885	Fastener, Rear Member Cover (BLK)	1	
	0866 69 885-05	Fastener, Rear Member Cover (BRN)	1	
26	0208 76 071	Silencer, Floor	—	
		Supplied under part no. 0208 76 071 (Floor Silencer Revised Piece)		
27	1011 68 661A	Pad, Bonnet No. 1	1	} $\frac{7}{8}$ ~ Added Anew
28	1011 68 662	Pad, Bonnet No. 2	1	
29	1011 68 663	Pad, Bonnet No. 3	1	
30	1011 68 664	Pad, Bonnet No. 4	1	

TRIM & TOP CEILING (SEDAN & HARDTOP)





TRIM & TOP CEILING (SEDAN & HARDTOP)

68

No.	Part Number	Description	Q'ty	Remarks
When ordering the following Top Ceiling				
Add Colour Code Nos. given below after parts number				
-05 (GRY) -09 (BLK) -20 (BRN) -21 (BLU) -24 (GRN)				
1	1757 68 030	© Ceiling, Top	1	
	1757 68 030A	© Ceiling, Top	1	From Car No. 1
2	1011 68 051	Plate (Frt.), Top Ceiling	1	
When ordering the following Trims and Fasteners				
Add Colour code Nos. given below after parts number				
-05 (BRN) -06 (BLU) -07 (GRN)				
3	1011 68 171B00	Trim (R), Front Pillar (BLK)	1	
	1013 68 171B	© Trim (R), Front Pillar	1	
4	1011 68 191B00	Trim (L), Front Pillar (BLK)	1	
	1013 68 191B	© Trim (L), Front Pillar	1	
5	99862 0414B	Screw, Front Pillar Trim	4	
●	99862 0416B	Screw, Front Pillar Trim	4	$\frac{7}{4} \sim \bigcirc$
6	1011 68 021	Lining, Head	2	(Hardtop)
	1011 68 021A	Lining, Head	2	$\frac{7}{4} \sim \bigcirc$
7	0820 69 314A	Lining, Head-Rear	1	
	0820 69 314B	Lining, Head-Rear	1	$\frac{73}{11} \sim \bigcirc$
8	1011 68 053	Plate (Rr.) No. 2, Fixing	1	
9	1011 68 054	Plate (Rr.) No. 3, Fixing	1	
10	99864 0412	Screw, Fixing Plate	6	
11	1011 68 052	Plate (Rr.) No. 1, Fixing	1	
12	1011 68 310B00	Trim, Package Tray (BLK)	1	
●	1011 68 310C00	Trim, Package Tray (BLK)	1	$\frac{7}{8} \sim \bigcirc$
	1013 68 310B	© Trim, Package Tray	1	
●	1013 68 310C	© Trim, Package Tray	1	$\frac{7}{8} \sim \bigcirc$
13	99863 0514B	Screw, Package Tray Trim	1	
●	99863 0516B	Screw, Package Tray Trim	1	$\frac{7}{4} \sim \bigcirc$
	99952 0516B	Washer, Plain	1	

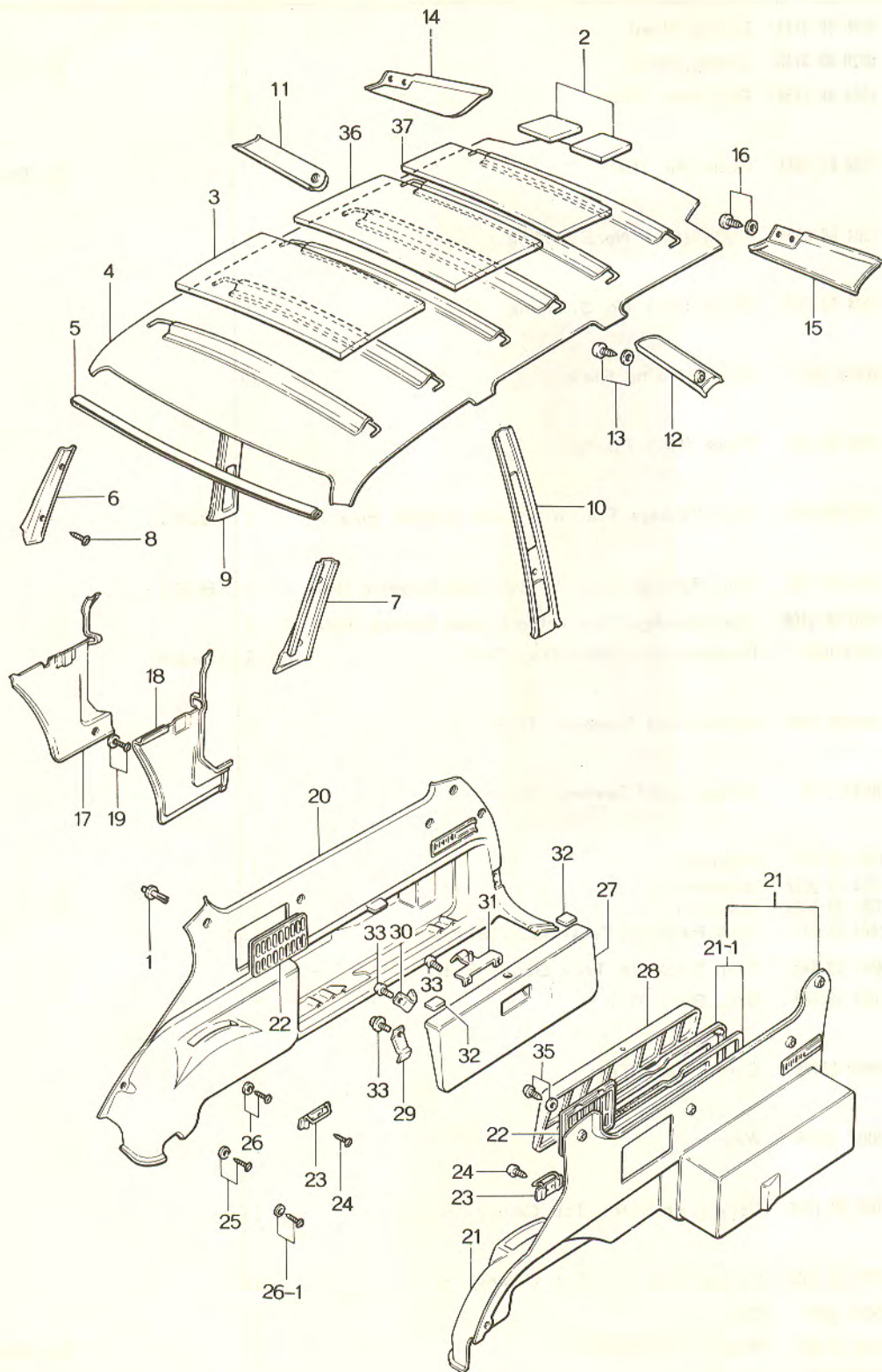
TRIM & TOP CEILING (SEDAN & HARDTOP)

No.	Part Number	Description	Q'ty	Remarks	
14	0866 69 885	© Fastener, Package Tray Trim	5		
15	1011 68 371	Trim (R), Front Side (BLK)	1		
16	1011 68 391	Trim (L), Front Side (BLK)	1		
17	99864 0414B	Screw, Front Side Trim	2		
●	99864 0416B	Screw, Front Side Trim	2	$\frac{7}{4}$ ~○	
	99952 0412B	Washer, Plain	2		
18	1004 68 171A00	Trim (R), Front Pillar (BLK)	1		
	1005 68 171A05	Trim (R), Front Pillar (BRN)	1		
	1005 68 171A06	Trim (R), Front Pillar (BLU)	1	} From Car No. 1	
	1005 68 171A07	Trim (R), Front Pillar (GRN)	1		
19	1004 68 191A00	Trim (L), Front Pillar (BLK)	1		
	1005 68 191A05	Trim (L), Front Pillar (BRN)	1		
	1005 68 191A06	Trim (L), Front Pillar (BLU)	1	} From Car No. 1	
	1005 68 191A07	Trim (L), Front Pillar (GRN)	1		
20	99862 0414B	Screw, Front Pillar	4		
●	99862 0416B	Screw, Front Pillar	4	$\frac{7}{4}$ ~○	
21	1004 68 051	Plate (Frt.), Fixing-Top Ceiling	1		
22	1755 68 030	Ceiling, Top (GRY)	1		
	1755 68 030A	Ceiling, Top (GRY)	1	From Car No. 1	
	1755 68 030-20	Ceiling, Top (BRN)	1		
	1755 68 030A20	Ceiling, Top (BRN)	1	From Car No. 1	
●	1755 68 030B20	Ceiling, Top (BRN)	1	$\frac{7}{5}$ ~○	
	1755 68 030-21	Ceiling, Top (BLU)	1	(Sedan)	
	1755 68 030A21	Ceiling, Top (BLU)	1	From Car No. 1	
●	1755 68 030B21	Ceiling, Top (BLU)	1	$\frac{7}{5}$ ~○	
	1755 68 030-24	Ceiling, Top (GRN)	1		
	1755 68 030A24	Ceiling, Top (GRN)	1	From Car No. 1	
●	1755 68 030B24	Ceiling, Top (GRN)	1	$\frac{7}{5}$ ~○	
23	1011 68 021	Lining, Head	1		
	1011 68 021A	Lining, Head	1	$\frac{7}{4}$ ~○	
When ordering the following Trims, add colour code nos. given below after parts number					
-00 (BLK) -05 (BRN) -06 (BLU) -07 (GRN) -08 (GRY/YLW)					
-12 (BRN) $\frac{7}{10}$ ~×					
24	1755 68 221	© Trim (R), Center Pillar	1		
25	1755 68 241	© Trim (L), Center Pillar	1		
26	0866 69 311	Lining, Head	1		
	0866 69 311A	Lining, Head	1	$\frac{7}{4}$ ~○	

TRIM & TOP CEILING (SEDAN & HARDTOP)

68

No.	Part Number	Description	Q'ty	Remarks
27	0820 69 314A	Lining, Head	1	
	0820 69 314B	Lining, Head	1	
28	1004 68 275B	Pad, Rear Pillar	2	$\frac{7}{11}$ ~○
29	1004 68 061A	Grille, Air (GRY)	2	$\frac{7}{5}$ ~Discarded
30	1004 68 053A	Plate (Rr.) No. 2, Fixing	1	
31	1004 68 054A	Plate (Rr.) No. 3, Fixing	1	
32	99864 0412	Screw, Fixing Plate	12	
33	1004 68 052	Plate (Rr.), Fixing	1	
34	1755 68 310	Trim, Package Tray-With Loud Speaker Hole	1	(BLK)
	1767 68 310	Trim, Package Tray-Without Loud Speaker Hole	1	(BLK)
●	3560 68 310B	Trim, Package Tray-Without Loud Speaker Hole	1	$\frac{7}{11}$ ~X
35	99274 0821	Fastener, Package Tray Trim	6	(Sedan)
36	1004 68 330	Grille, Loud Speaker (BLK)	2	
37	99748 0413	Screw, Loud Speaker Grille	8	
38	1004 68 301	Insulator	1	
	1004 68 301A	Insulator	1	$\frac{7}{8}$ ~○
●	3561 68 301B	Insulator	1	$\frac{7}{11}$ ~X
39	1004 68 341	Trim, Package Tray Back (BLK)	1	
●	3561 68 341	Trim, Package Tray Back (BLK)	1	$\frac{7}{11}$ ~X
40	1004 68 342	Brim, Back Trim	1	
41	99862 0512B	Screw, Back Trim	3	
	99967 0500B	Washer	3	
42	1004 68 100A	Ceiling End (R), Top Ceiling (BLK)	1	
43	1004 68 120A	Ceiling End (L), Top Ceiling (BLK)	1	
44	99274 0821	Clip	2	(Hardtop)
45	0710 57 025	Washer	2	
46	99864 0408	Screw	4	



TRIM & TOP CEILING (WAGON)

68

No.	Part Number	Description	Q'ty	Remarks
1	1011 64 181A00	Fastener, Rear Side Trim (BLK)	10	
	1011 64 181A02	Fastener, Rear Side Trim (GRY)	10	
	1011 64 181A05	Fastener, Rear Side Trim (BRN)	10	
2	0419 68 021	Cushion, Wire-Top Ceiling	2	
3	1011 68 021	Lining, Head-Top Ceiling	1	
	1011 68 021A	Lining, Head-Top Ceiling	1	¾~○
4	1791 68 030	Ceiling, Top	1	
5	1004 68 051	Plate (Frt.), Fixing-Top Ceiling	1	
6	1004 68 171A00	Trim (R), Front Pillar (BLK)	1	
	1005 68 171A05	Trim (R), Front Pillar (BRN)	1	
7	1004 68 191A00	Trim (L), Front Pillar (BLK)	1	
	1005 68 191A05	Trim (L), Front Pillar (BRN)	1	
8	99862 0414B	Screw, Front Pillar Trim	4	
●	99862 0416B	Screw, Front Pillar Trim	4	¾~○
<p>When ordering the following Trim</p> <p>Add colour code nos. given below after parts number</p> <p>-00 (BLK) -05 (BRN) -06 (BLU) -07 (GRN) -08 (GRY / YLW)</p> <p>-12 (BRN) ¾~×</p>				
			1	
9	1755 68 221	© Trim (R), Center Pillar	1	
10	1755 68 241	© Trim (L), Center Pillar	1	
11	1029 68 260-00	Trim (R), Quarter Pillar (BLK)	1	
	1029 68 260-05	Trim (R), Quarter Pillar (BRN)	1	
	1029 68 260-12	Trim (R), Quarter Pillar (BRN)	1	¾~×

No.	Part Number	Description	Q'ty	Remarks
	1029 68 260-08	Trim (R), Quarter Pillar (GRY/YLW)	1	
12	1029 68 280-00	Trim (L), Quarter Pillar (BLK)	1	
	1029 68 280-05	Trim (L), Quarter Pillar (BRN)	1	
	1029 68 280-12	Trim (L), Quarter Pillar (BRN)	1	$\frac{7}{11} \sim \times$
	1029 68 280-08	Trim (L), Quarter Pillar (GRY/YLW)	1	
● 13	99862 0416B	Screw, Quarter Pillar Trim (BLK)	2	} Selective use $\frac{7}{10} \sim$ Q'ty
			4	
●	99862 0416C	Screw, Quarter Pillar Trim (WHT)	2	
			4	
●	99967 0400B	Washer (BLK)	2	
			4	
●	99967 0400A	Washer (WHT)	2	$\frac{7}{10} \sim$ Q'ty
			4	$\frac{7}{10} \sim$ Q'ty
14	1029 68 320	Trim (R), Rear Pillar (GRY)	1	
	1029 68 320A	Trim (R), Rear Pillar (GRY)	1	From Car No. 1
	1029 68 320A00	Trim (R), Rear Pillar (BLK)	1	From Car No. 1
15	1029 68 330	Trim (L), Rear Pillar (GRY)	1	
	1029 68 330A	Trim (L), Rear Pillar (GRY)	1	From Car No. 1
	1029 68 330A00	Trim (L), Rear Pillar (BLK)	1	From Car No. 1
16	99862 0416C	Screw, Rear Pillar Trim	2	
	99967 0400A	Washer	2	
17	1011 68 371	Trim (R), Front Side (BLK)	1	
18	1011 68 391	Trim (L), Front Side (BLK)	1	
19	99864 0414B	Screw, Front Side Trim	2	
●	99864 0416B	Screw, Front Side Trim	2	$\frac{7}{4} \sim \circ$
	99952 0412B	Washer, Plain	2	
20	0698 68 820B	Trim (R), Rear Side (BLK)	1	
	1029 68 820B05	Trim (R), Rear Side (BRN)	1	
	1029 68 820B08	Trim (R), Rear Side (GRY/YLW)	1	

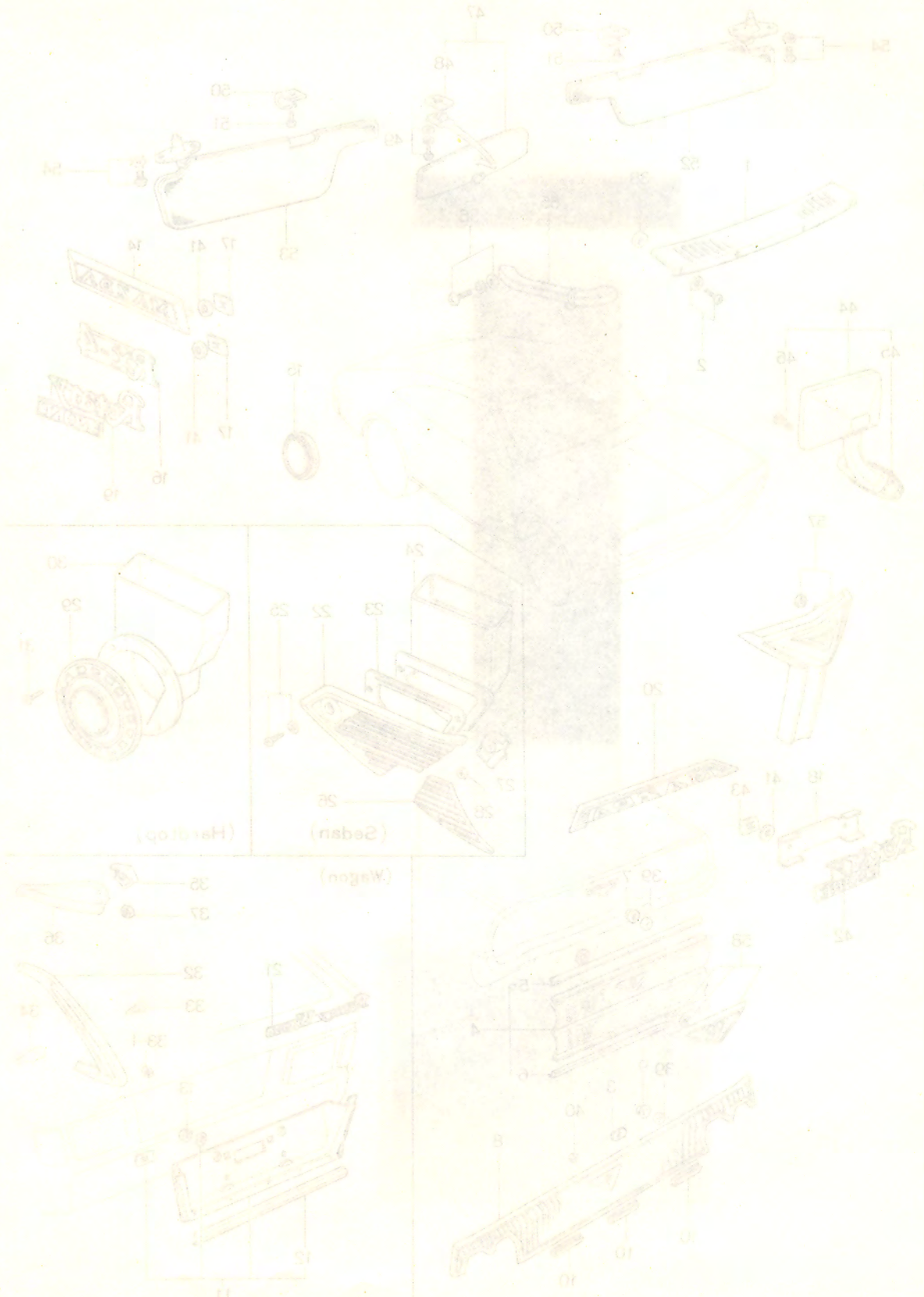
TRIM & TOP CEILING (WAGON)

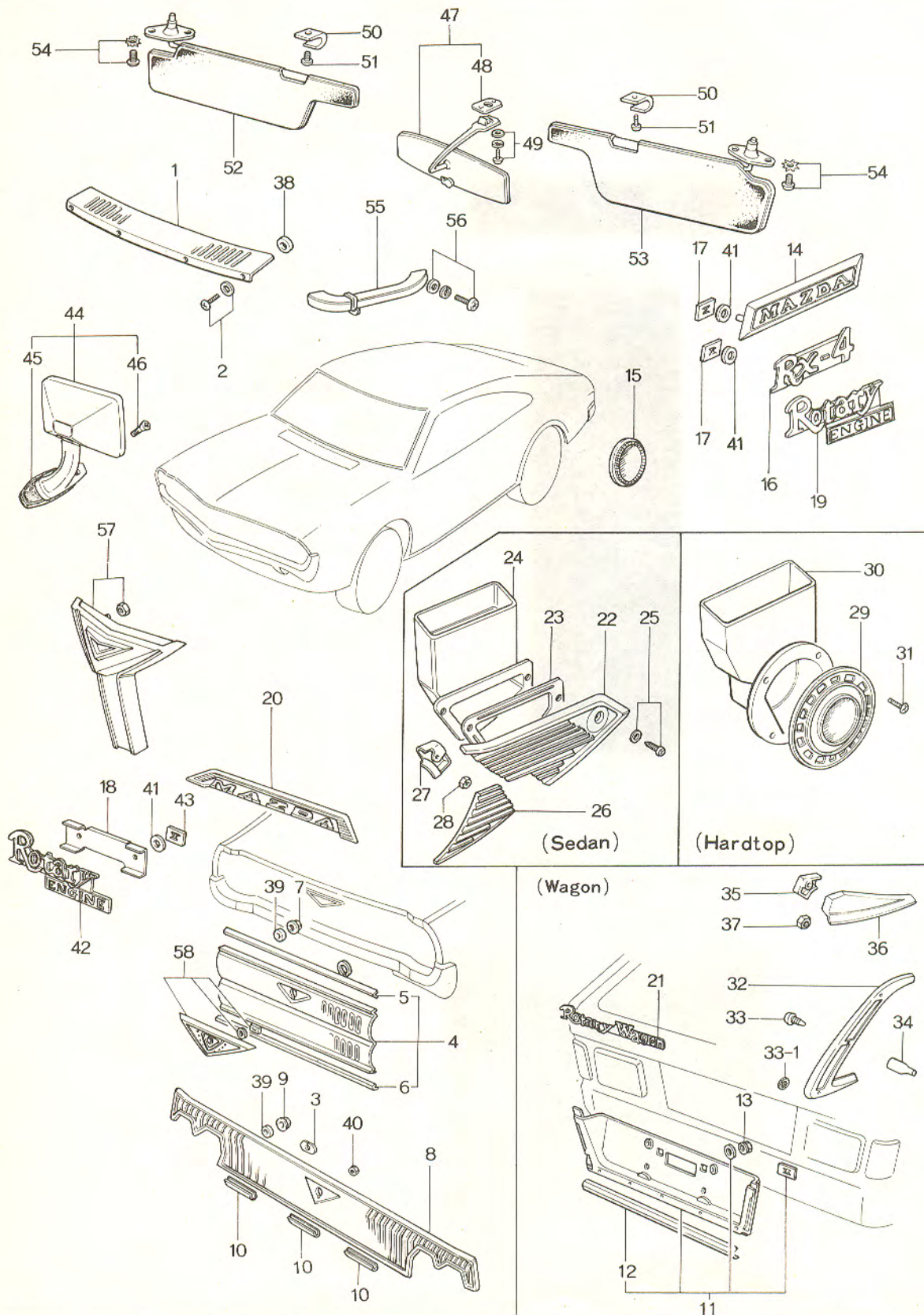
68

No.	Part Number	Description	Q'ty	Remarks
21	0698 68 870C	Trim (L), Rear Side (BLK)	1	
	1029 68 870C05	Trim (L), Rear Side (BRN)	1	
	1029 68 870C08	Trim (L), Rear Side (GRY /YLW)	1	
21-1	1029 68 880A	Trim, Pocket (BLK)	1	From Car No. 1
	1029 68 880B	Trim, Pocket (BLK)	1	$\frac{73}{12}$ ~
22	0698 68 822	Grill, Loud Speaker (BLK)	2	
	1029 68 822A05	Grill, Loud Speaker (BRN)	2	
	1029 68 822A08	Grill, Loud Speaker (GRY /YLW)	2	
23	1029 68 890	Pin, Hinge	4	
24	99833 0510	Screw, Hinge Pin	8	
	1029 68 823A	Valve, Check	2	From Car No. 1
			2	
25	99833 0610B	Screw, Tapping-Rear Side Trim	2	
	99951 0618B	Washer, Plain	2	
26	99862 0512C	Screw, Tapping-Rear Side Trim	7	
	99967 0500B	Washer	2	$\frac{73}{10}$ ~Q'ty
			2	$\frac{73}{10}$ ~Q'ty
26-1	99862 0525B	Screw, Tapping-Rear Side Trim	7	} Selective use
	99862 0525C	Screw, Tapping	7	
	99967 0500A	Washer	7	
	99967 0500B	Washer	7	
			7	$\frac{73}{10}$ ~○
27	0698 68 830B	Lid (R) (BLK)	1	
	0698 68 830C	Lid (R) (BLK)	1	From Car No. 1
	0698 68 830D	Lid (R) (BLK)	1	$\frac{74}{3}$ ~○
	0698 68 830E	Lid (R) (BLK)	1	$\frac{74}{8}$ ~△
	1029 68 830B05	Lid (R) (BRN)	1	
	1029 68 830C05	Lid (R) (BRN)	1	From Car No. 1
	1029 68 830D05	Lid (R) (BRN)	1	$\frac{74}{3}$ ~○
	1029 68 830B08	Lid (R) (GRY /YLW)	1	
	1029 68 830C08	Lid (R) (GRY /YLW)	1	From Car No. 1
	1029 68 830D08	Lid (R) (GRY /YLW)	1	$\frac{74}{3}$ ~○
28	0698 68 930A	Lid (L) (BLK)	1	
	0698 68 930B	Lid (L) (BLK)	1	$\frac{74}{3}$ ~○
	0698 68 930C	Lid (L) (BLK)	1	$\frac{74}{8}$ ~△
	1029 68 930A05	Lid (L) (BRN)	1	
	1029 68 930B05	Lid (L) (BRN)	1	$\frac{74}{3}$ ~○
	1029 68 930A08	Lid (L) (GRY /YLW)	1	
	1029 68 930B08	Lid (L) (GRY /YLW)	1	$\frac{74}{3}$ ~○

68 TRIM & TOP CEILING (WAGON)

No.	Part Number	Description	Q'ty	Remarks
29	1029 68 832	Spring	4	
● 30	1029 68 833	Spring, Lever (R)	2 6	$\frac{7}{8}$ ~Q'ty
31	1029 68 840A	Spring	2	
	1029 68 840B	Spring	2	$\frac{7}{8}$ ~○
32	0317 70 269	Cushion	4	
● 33	99830 0510	Screw, Spring	11 14	$\frac{7}{8}$ ~Q'ty
34	1029 68 880A	Trim, Pocket (BLK)	1	From Car No. 1
35	99862 0520B	Screw, Tapping-Pocket Trim	2	
	99967 0500B	Washer	2	
36	0259 69 311	Insulator No. 1, Roof	1	
	0259 69 311A	Insulator No. 1, Roof	1	$\frac{7}{8}$ ~○
37	0585 69 311	Lining, Head	1	
	0585 69 311A	Lining, Head	1	$\frac{7}{8}$ ~○





ATTACHMENT

51

69

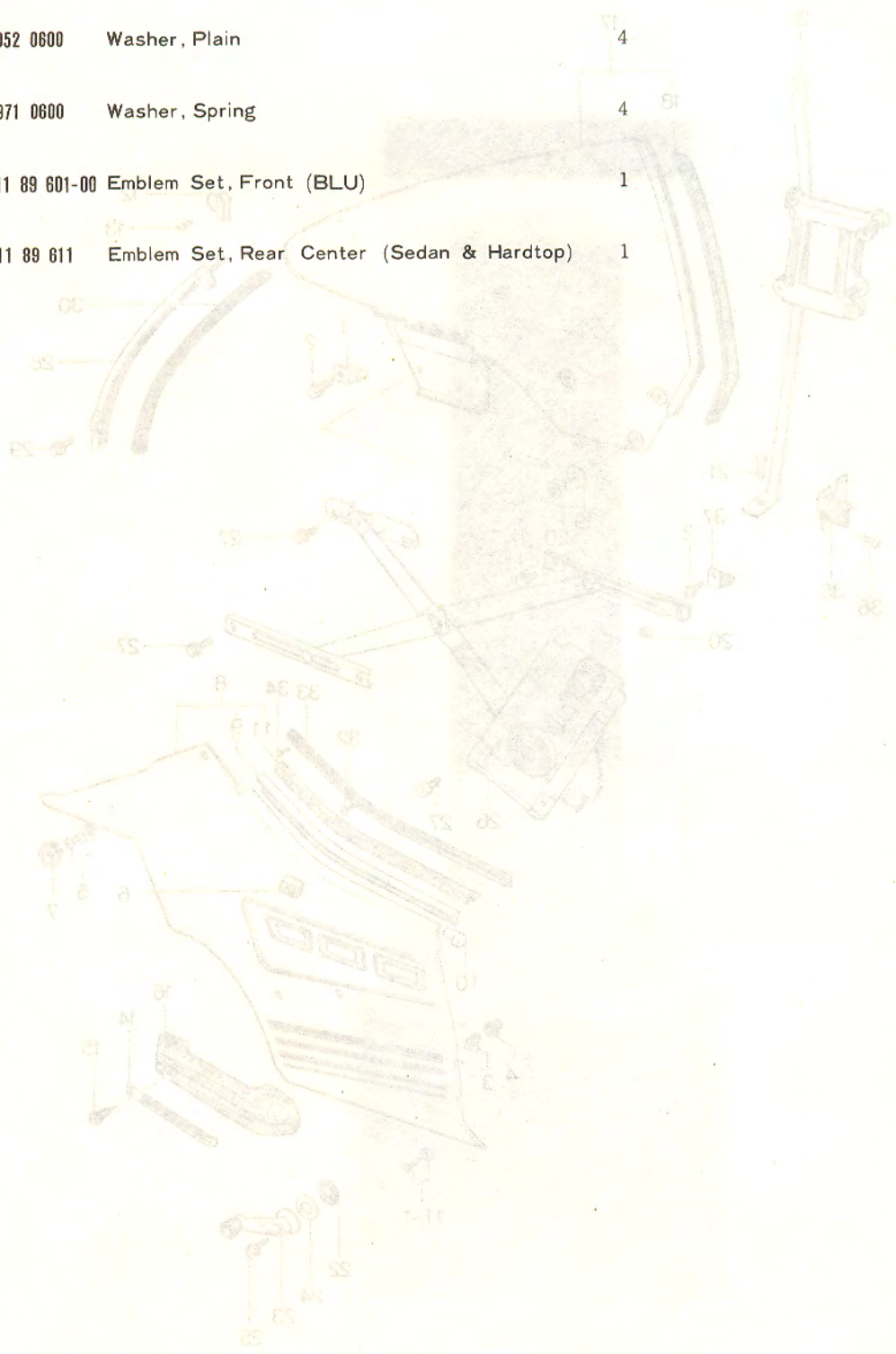
No.	Part Number	Description	Q'ty	Remarks
1	1708 50 791	Grille, Cowl	1	
2	99864 0412B	Screw, Cowl Grille	4	
●	99768 0512B	Screw, Cowl Grille	4	3/4" x
	99952 0412B	Washer, Plain	4	
●	99952 0500B	Washer, Plain	4	3/4" x
3	1011 50 845	Gasket, Rear Finisher (Sedan...4, Hardtop...2)	6	
4	1004 50 850A	Finisher, Rear	1	(Sedan)
5	1004 50 845	Mould, Finisher - Upper	1	
6	1004 50 846	Mould, Finisher - Upper	1	
7	99940 0502	Nut, Rear Finisher	6	
8	1011 50 850B	Finisher, Rear	1	(Hardtop)
9	99940 0502	Nut, Rear Finisher	8	
10	1011 50 806	Spacer	3	
11	1029 50 850	Finisher, Rear	1	
12	1029 99 727	Mould Set, Center	1	(Wagon)
13	99940 0502	Nut, Rear Finisher	5	
14	1727 51 721	Name, Side - MAZDA	2	
15	1730 51 741	Mark, Symbol (Sedan)	2	

No.	Part Number	Description	Q'ty	Remarks
16	1727 51 761	Ornament, RX- 4	2	
17	99579 3000	Nut, Speed-Ornament (Sedan & Hardtop)	12	
	0187 69 049A	Nut, Speed-Ornament (Wagon)	10	
18	1011 51 772A	Plate, Set-Ornament (Rotary Engine)	1	
19	1730 51 775	Mark, Rear-Rotary Engine (Sedan)	1	
	1793 51 775	Mark, Rear-Rotary Engine (Hardtop)	1	
20	1011 51 781	Ornament, Rear-MAZDA	1	
21	1029 51 789	Mark, Rotary Wagon (Wagon)	1	
22	1004 51 901A	Grille (R), Extractor	1	
	1004 51 951A	Grille (L), Extractor	1	
23	1004 51 902	Plate (R)	1	
	1004 51 952	Plate (L)	1	
24	1004 51 911A	Extractor (R)	1	
	1004 51 961A	Extractor (L) (Sedan)	1	
25	99796 04128	Screw, Extractor & Grille	12	
	99952 04128	Washer, Plain	6	
26	1004 51 920	Grille (R), Door	1	
	1004 51 970	Grille (L), Door	1	
27	1004 51 925	Cover (R), Door Grille	1	
	1004 51 975	Cover (L), Door Grille (Sedan)	1	

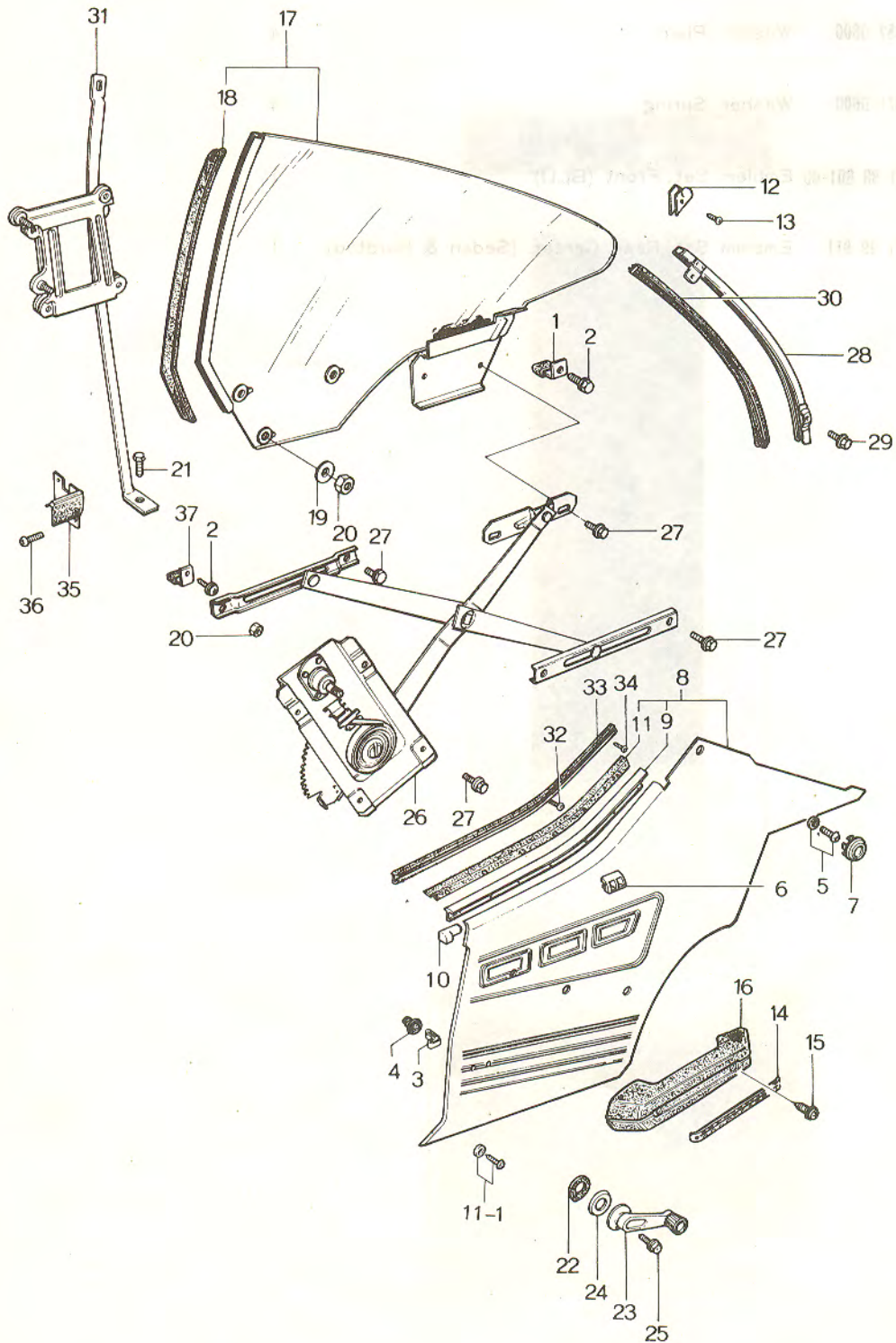
No.	Part Number	Description	Q'ty	Remarks
28	99940 0400	Nut, Door Grille (Sedan)	2	
29	1793 51 911	Grille, Extractor	2	
30	1011 51 921	Extractor (R)	1	(Hardtop)
	1011 51 951	Extractor (L)	1	
31	99768 04128	Screw, Extractor Grille	1	
32	1029 51 901	Grille (R), Extractor	1	
●	1029 51 901C	Grille (R), Extractor	1	From Car No. 1
	1029 51 951A	Grille (L), Extractor	1	
●	1029 51 951C	Grille (L), Extractor	1	From Car No. 1
33	99769 04148	Screw	6	
● 33-1	1029 51 902	Packing	6	From Car No. 1
34	99910 0402	Grommet, Screw	6	
35	1004 51 925	Cover (R), Door Grille	1	(Wagon)
	1004 51 975	Cover (L), Door Grille	1	
36	1029 51 930	Grille (R), Door	1	
	1029 51 980	Grille (L), Door	1	
37	99940 0400	Nut, Door Grille	2	
38	0866 56 405	Rubber, Cushion-Cowl Grille	5	
39	0305 68 951	Spacer, Rear Finisher (Sedan...2, Hardtop...6)	8	
40	0110 69 057	Nut (Hardtop)	2	
41	0730 69 057A	Gasket, Ornament (Sedan...13, Wagon...2)	15	
●	1029 51 769	Gasket, Ornament (Wagon)	10	From Car No. 1
42	1881 69 076	Mark, Front-Rotary Engine	1	
43	99578 3000	Nut, Speed	2	

No.	Part Number	Description	Q'ty	Remarks
44	2850 69 090	Mirror (L), Rear View	1	
45	2850 69 101	Gasket	1	
46	99772 0516	Screw	1	
47	0839 69 170	Mirror, Interior	1	
48	0839 69 171	Base	1	
49	99831 0516	Screw, Interior Mirror	2	
	99974 0500	Washer, Toothed	2	
	99875 0500	Washer	2	
50	1004 69 261A	Adapter, Sun Visor	2	
51	99861 0416C	Screw, Adapter	2	
	99975 0400	Washer, Toothed	2	
		When ordering the following Sun Visor Add Colour Code nos. given below after parts number -05 (GRY) -09 (BLK) -20 (BRN) -21 (BLU) -24 (GRN)		
52	1757 69 270A	©Sun Visor (R)	1	
53	1755 69 320	©Sun Visor (L) (U.S.A.)	1	
	1755 69 320A	©Sun Visor (L) (U.S.A.)	1	$\frac{3}{8}$ ~X
	1757 69 320A	©Sun Visor (L) (CANADA)	1	
54	99837 0516C	Screw, Sun Visor	4	
	99975 0500C	Washer, Toothed	4	
55	0866 69 920 02	Handle, Assist (BLK)	2	

No.	Part Number	Description	Q'ty	Remarks
56	99838 0620	Screw, Assist Handle	4	
	99952 0600	Washer, Plain	4	
	99971 0600	Washer, Spring	4	
57	1011 89 601-00	Emblem Set, Front (BLU)	1	
58	1011 89 611	Emblem Set, Rear Center (Sedan & Hardtop)	1	



REAR SIDE WINDOW (HARDTOP)



REAR SIDE WINDOW (HARDTOP)

72

73

No.	Part Number	Description	Q'ty	Remarks
1	1011 58 910	Stopper, Glass - Rear	2	
2	99796 0614	Bolt, Glass Stopper	4	
	99952 0618	Washer, Plain	4	
3	0208 58 921	Fastener, Trim	2	
4	0187 58 922	Cap, Fastener	2	
5	99864 0412	Screw, Trim	2	
	99952 0500	Washer, Plain	2	
6	1011 68 501A	Spacer, Quarter Trim	6	
7	1011 68 505	Cap, Quarter Trim (BLK)	2	

When ordering the following Trim

Add colour cord nos. given below after parts number

-00 (BLK) -01 (BRN) -02 (BLU)

● -12 (BRN) $\frac{3}{10}$ ~X

-08 (GRY / YLW) -22 (GRN)

8	1757 68 520	© Trim (R), Quarter	1	
●	1757 68 520B	© Trim (R), Quarter	1	$\frac{3}{2}$ ~△
	1757 68 550	© Trim (L), Quarter	1	
●	1757 68 550B	© Trim (L), Quarter	1	$\frac{3}{2}$ ~△
9	1011 68 526A	Mould (R)	1	
	1011 68 556A	Mould (L)	1	

When ordering the following Corner Cap, Corner Cover and Arm Rest

Add colour code nos. given below after parts number

-00 (BLK) -05 (BRN) -06 (BLU)

-07 (GRN) -08 (GRY / YLW)

10	1011 68 527	© Cap (R), Corner	1	
----	-------------	-------------------	---	--

REAR SIDE WINDOW (HARDTOP)

No.	Part Number	Description	Q'ty	Remarks
	1011 68 557 ©	Cap (L), Corner	1	
11	1011 72 821A	Weatherstrip (R), Inner	1	
●	1757 72 821	Weatherstrip (R), Inner	1	7/2 ~ △
	1011 73 821A	Weatherstrip (L), Inner	1	
●	1757 73 821	Weatherstrip (L), Inner	1	7/2 ~ △
●	11-1 99862 0412B	Screw, Trim	2	} From Car No. 1
●	99967 0400B	Washer	2	
12	1011 68 921 ©	Cover (R), Corner	1	
	1011 68 922 ©	Cover (L), Corner	1	
13	99862 0416B	Screw, Tapping-Corner Cover (BLK)	2	} Selective use
	99862 0416C	Screw, Tapping-Corner Cover (WHT)	2	
●	14 1011 69 421A00	Garnish, Arm Rest (BLK)	2	} Car No. 1 Discarded
●	15 99833 0520	Screw, Arm Rest	4	
●	99952 0500	Washer, Plain	4	
●	16 1011 69 430A ©	Rest, Arm	2	
17	1011 72 510F	Glass (R), Quarter Window	1	
●	1757 72 510	Glass (R), Quarter Window	1	From Car No. 1
●	1011 72 510F	Glass (R), Quarter Window	1	7/2 ~ ○
	1011 73 510F	Glass (L), Quarter Window	1	
●	1757 73 510	Glass (L), Quarter Window	1	From Car No. 1
●	1011 73 510F	Glass (L), Quarter Window	1	7/2 ~ ○
18	1011 72 651	Weatherstrip (R), Quarter Window	1	
	1011 73 651	Weatherstrip (L), Quarter Window	1	
19	1011 71 516A	Washer	2	
20	99940 0602	Nut, Glass Guide	4	

REAR SIDE WINDOW (HARDTOP)

72

73

No.	Part Number	Description	Q'ty	Remarks
21	99796 0614	Bolt, Glass Guide	4	
	99952 0618	Washer, Plain	4	
22	1011 72 552A	Rubber, Seal-Regulator Handle	2	
23	0824 58 370B	Handle, Regulator (BLK)	2	
24	0223 58 375A	Escutcheon	2	
25	99806 0516	Screw, Regulator Handle	2	
	99971 0500	Washer, Spring	2	
26	1011 72 560B	Regulator (R), Window	1	
	1011 73 560B	Regulator (L), Window	1	
27	99796 0610	Bolt, Window Regulator	14	
	99952 0618	Washer, Plain	14	
28	1011 72 602	Guide "B" (R), Glass	1	
	1011 73 602	Guide "B" (L), Glass	1	
29	99796 0610	Bolt, Glass Guide	4	
	99952 0618	Washer, Plain	4	
30	1011 72 605	Run Channel, Glass	2	
31	1011 72 610B	Guide (R), Glass	1	
	1011 73 610B	Guide (L), Glass	1	
32	1011 72 809	Screw, Weatherstrip	2	
●	99739 0512B	Screw, Weatherstrip	2	From Car, No. 1
33	1011 72 811C	Weatherstrip (R), Outer	1	

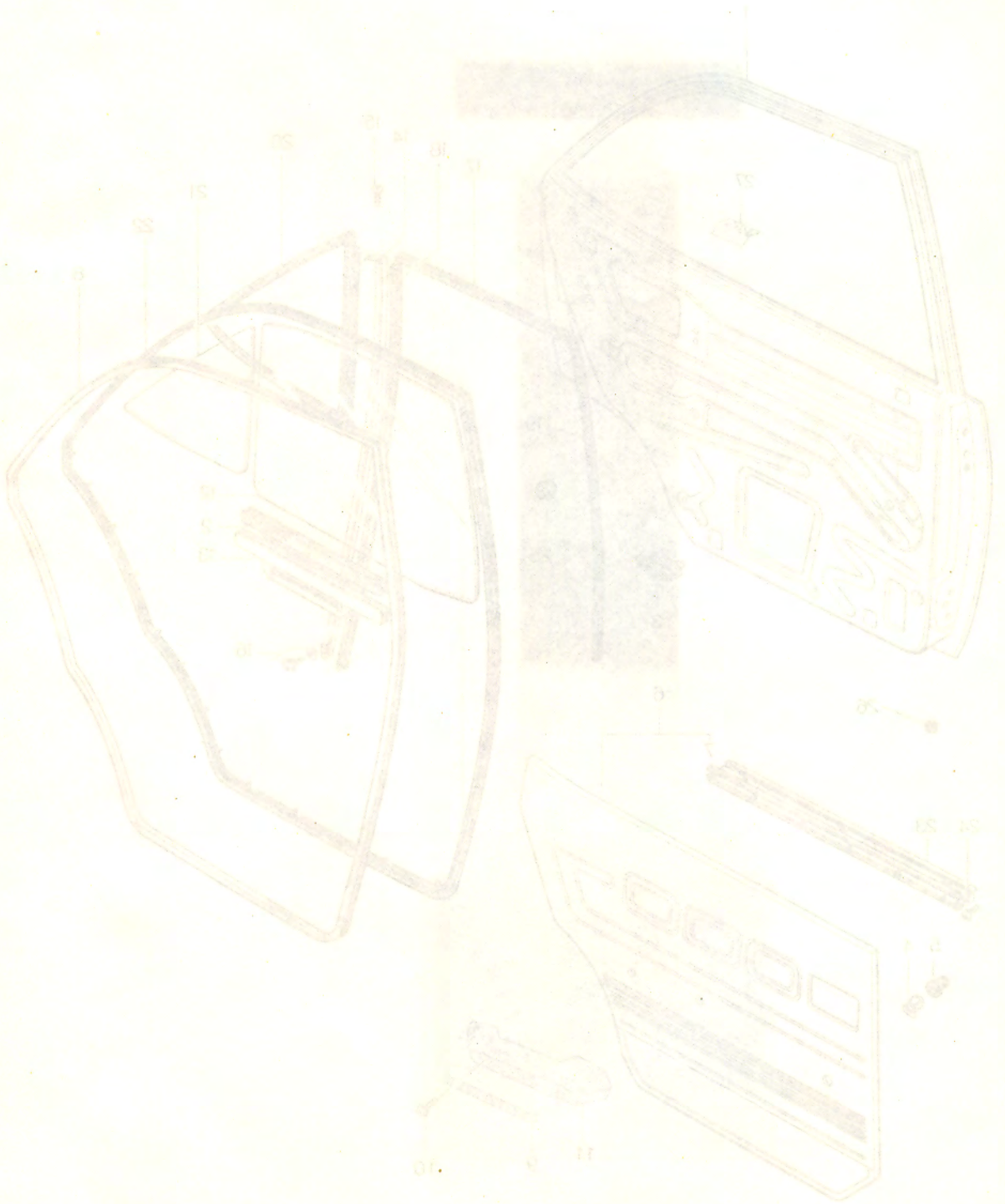
72

73

REAR SIDE WINDOW (HARDTOP)

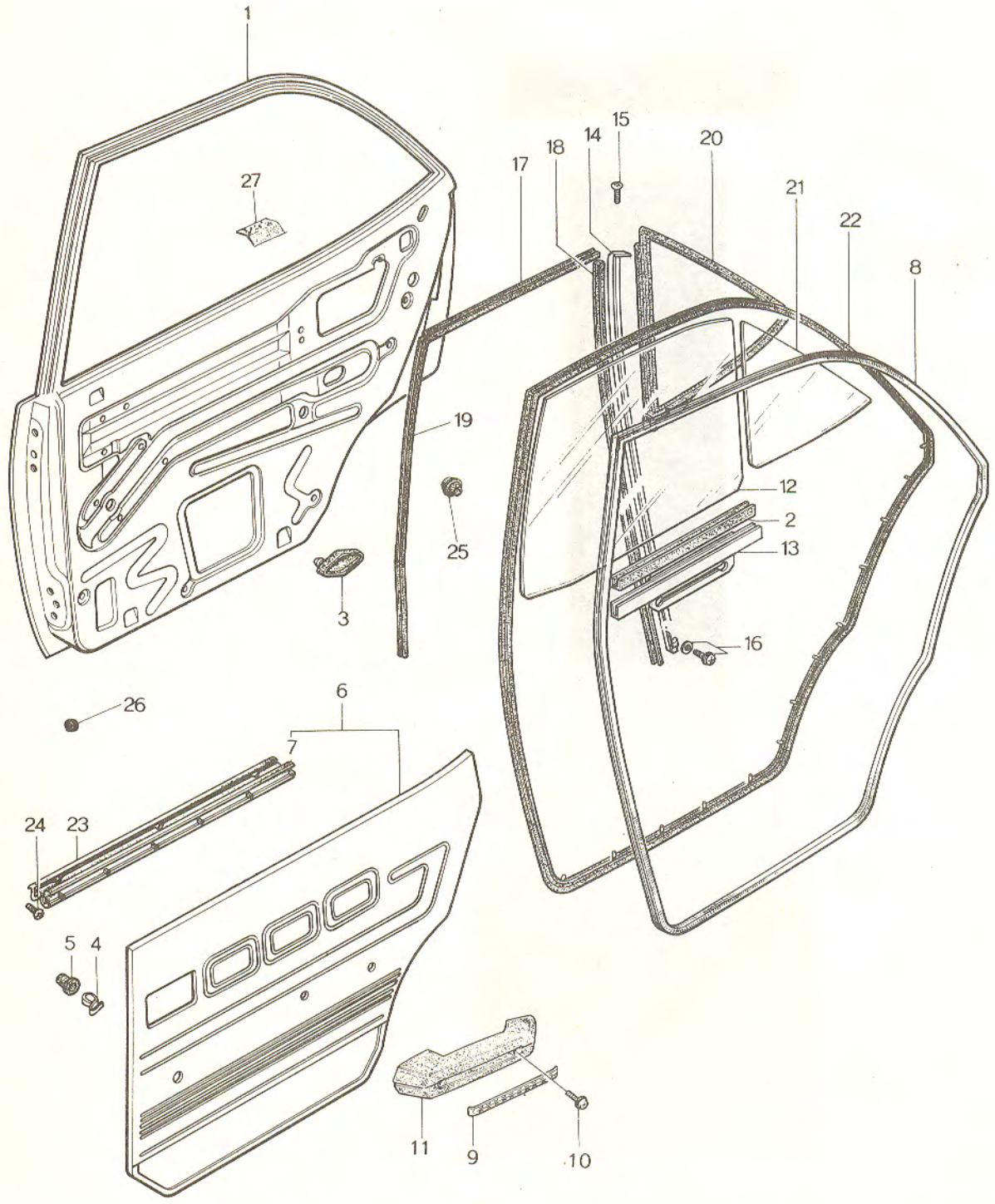
No.	Part Number	Description	Q'ty	Remarks
	1011 73 811C	Weatherstrip (L), Outer	1	
34	99768 0512B	Screw, Weatherstrip	4	
35	1011 72 871	Rubber (R), Garnish	1	
	1011 73 871	Rubber (L), Garnish	1	
36	99768 0410B	Screw, Tapping-Garnish Rubber	6	
37	1011 72 910	Stopper, Glass-Front	2	

REAR SIDE DOOR
(GLASS, SEDAN & WAGON)



REAR SIDE DOOR

(GLASS, SEDAN & WAGON)



REAR SIDE DOOR

(GLASS, SEDAN & WAGON)



No.	Part Number	Description	Q'ty	Remarks
1	1755 72 010	Body (R), Door	1	
●	1755 72 010A	Body (R), Door	1	74/10 ~ △
	1755 73 010	Body (L), Door	1	
●	1755 73 010A	Body (L), Door	1	74/10 ~ △
	1791 72 010	Body (R), Door	1	
	1791 72 010B	Body (R), Door	1	74/4 ~ △
	1791 73 010	Body (L), Door	1	
	1791 73 010B	Body (L), Door	1	74/4 ~ △
	1004 72 020A	Panel (R), Outer	1	
	1004 73 020A	Panel (L), Outer	1	
2	0796 58 502A	Strip, Rubber-Door Glass	2	
3	0259 58 906	Cushion, Door	2	
4	0208 58 921	Fastener, Trim	12	
	0208 58 921	Fastener, Trim	14	73/11 ~ Q'ty
5	0187 58 922	Cap, Fastener	12	
	0187 58 922	Cap, Fastener	14	73/11 ~ Q'ty
When ordering the following Trim, add colour code nos. given below after parts number -00 (BLK) -02 (BLU) -08 (GRY / YLW) -12 (BRN) -22 (GRN)				
6	1755 68 520A ©	Trim (R), Door	1	
	1755 68 520B ©	Trim (R), Door	1	73/11 ~ ○
	1755 68 550A ©	Trim (L), Door	1	
	1755 68 550B ©	Trim (L), Door	1	73/11 ~ ○
7	1004 72 821A	Weatherstrip (R), Inner	1	
	1004 73 821A	Weatherstrip (L), Inner	1	
8	1004 68 911	Welt, Seaming (BLK)	2	
9	1011 69 421A00	Garnish, Arm Rest	2	
10	99833 0520	Screw, Arm Rest	4	
●	99830 0520	Screw, Arm Rest	4	74/4 ~ ○

72 73

REAR SIDE DOOR

(GLASS, SEDAN & WAGON)

No.	Part Number	Description	Q'ty	Remarks
	99971 0500	Washer, Spring	4	
11	1011 69 430A00	Rest, Arm (BLK)	2	
	1011 69 430A05	Rest, Arm (BRN)	2	
	1011 69 430A06	Rest, Arm (BLU)	2	
	1011 69 430A07	Rest, Arm (GRN)	2	
	1011 69 430A08	Rest, Arm (GRY / YLW)	2	
12	1004 72 501A	Glass (R), Door	1	(Sedan)
	1004 73 501A	Glass (L), Door	1	
	1029 72 501A	Glass (R), Door	1	(Wagon)
	1029 73 501A	Glass (L), Door	1	
		(Blue Pane)		
13	1004 72 505	Bracket, Door Glass	2	
14	1004 72 602	Channel (R), Center (BLK)	1	(Sedan)
	1004 73 602	Channel (L), Center (BLK)	1	
	1029 72 602	Channel (R), Center (BLK)	1	(Wagon)
	1029 73 602	Channel (L), Center (BLK)	1	
15	99831 0408	Screw, Center Channel	4	
	99832 0408	Screw, Center Channel	4	From Car No. 1
16	99796 0608	Bolt, Center Channel	2	
	99952 0618	Washer, Plain	2	

REAR SIDE DOOR (GLASS, SEDAN & WAGON)

72

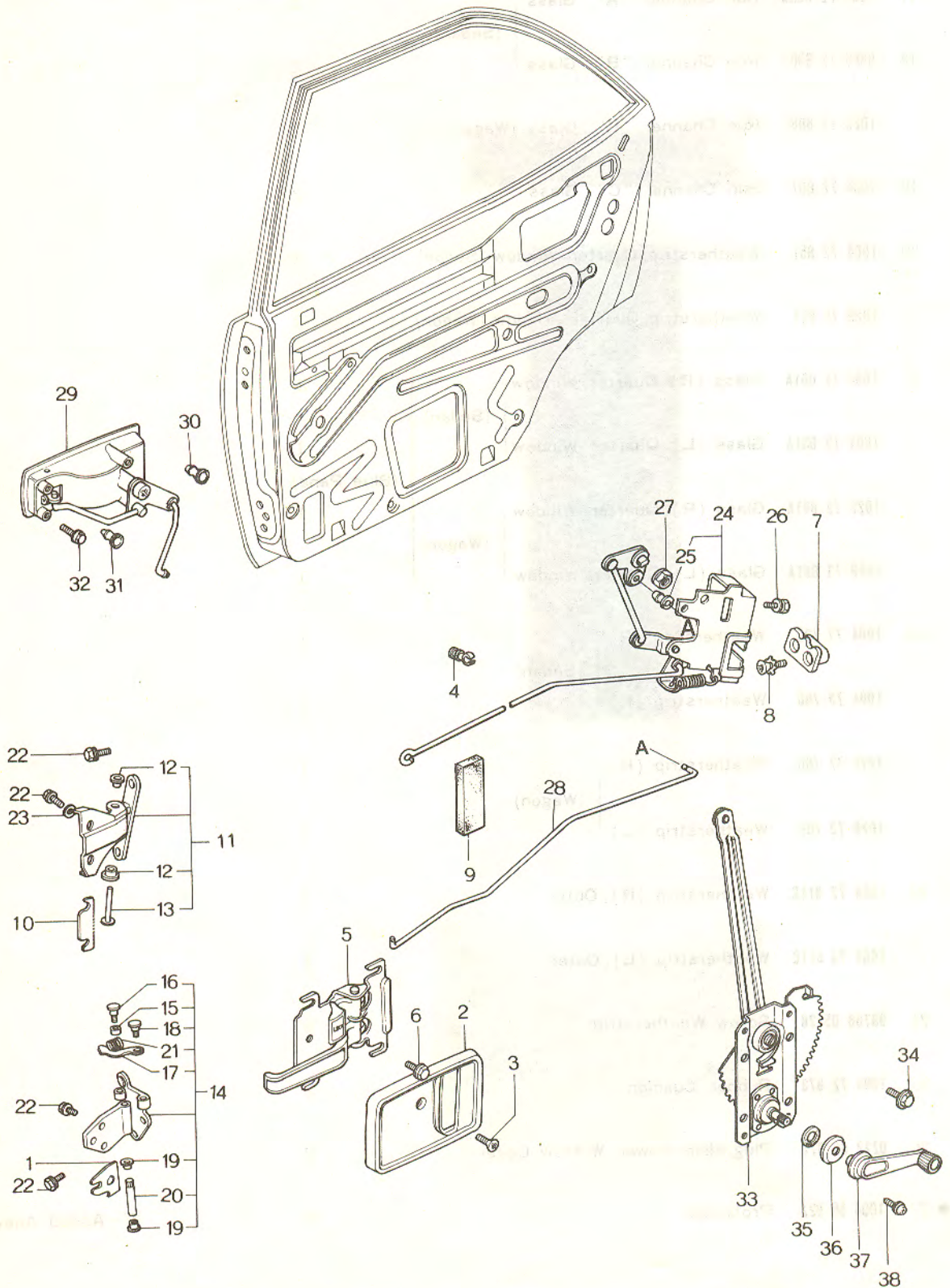
73

No.	Part Number	Description	Q'ty	Remarks
17	1004 72 605A	Run Channel "A" , Glass	2	
18	0866 72 606	Run Channel "B" , Glass	2	
	1029 72 606	Run Channel "B" , Glass (Wagon)	2	
19	1004 72 607	Run Channel "C" , Glass	2	
20	1004 72 651	Weatherstrip, Quarter Window (Sedan)	2	
	1029 72 651	Weatherstrip, Quarter Window (Wagon)	2	
21	1004 72 661A	Glass (R) Quarter Window	1	<div style="display: flex; align-items: center;"> <div style="margin-right: 10px;"> (Sedan) </div> <div style="font-size: 2em;">}</div> <div style="margin-left: 10px;"> (Blue Pane) </div> </div>
	1004 73 661A	Glass (L), Quarter Window	1	
	1029 72 661A	Glass (R), Quarter Window	1	
	1029 73 661A	Glass (L), Quarter Window	1	
22	1004 72 760	Weatherstrip (R)	1	(Sedan)
	1004 73 760	Weatherstrip (L)	1	
	1029 72 760	Weatherstrip (R)	1	(Wagon)
	1029 73 760	Weatherstrip (L)	1	
23	1004 72 811C	Weatherstrip (R), Outer	1	
	1004 73 811C	Weatherstrip (L), Outer	1	
24	99768 0512B	Screw, Weatherstrip	6	
25	1004 72 873	Rubber, Cushion	2	
26	0222 66 871	Plug, Hole-Power Window Cover	2	
● 27	1004 50 827	Protector	2	¾~Added Anew

72

73

REAR SIDE DOOR (LOCK, SEDAN & WAGON)



REAR SIDE DOOR (LOCK, SEDAN & WAGON)

72

73

No.	Part Number	Description	Q'ty	Remarks
1	1011 58 231	Shim, Hinge "B" - Selective use	—	
2	1011 58 303A	Cover, Inner Handle	2	
3	99832 0408B	Screw, Cover	2	
4	0305 58 309	Holder, Rod	4	
5	1011 58 321	Handle (R), Inner	1	
	1011 58 321A	Handle (R), Inner	1	¾~○
	1011 59 321	Handle (L), Inner	1	
	1011 59 321A	Handle (L), Inner	1	¾~○
6	99796 0510	Bolt, Inner Handle	6	
7	0866 58 361C	Rack (R)	1	
	0866 59 361C	Rack (L)	1	
8	1540 58 371	Screw, Rack	4	
	99975 0600	Washer, Toothed	4	
9	0305 70 432	Cushion, Rod	2	
10	0866 72 201	Shim, Hinge "A" - Selective use	—	
11	1004 72 210	Hinge "A" (R)	1	
	1004 73 210	Hinge "A" (L)	1	
12	0223 58 721	Bush	4	
13	0866 72 212A	Pin, Hinge	2	
14	0866 72 240B	Hinge "B" (R)	1	
●	0866 72 240C	Hinge "B" (R)	1	¾/10~△

72

73

REAR SIDE DOOR

(LOCK, SEDAN & WAGON)

No.	Part Number	Description	Q'ty	Remarks
	0866 73 240 B	Hinge "B" (L)	1	
●	0866 73 240 C	Hinge "B" (L)	1	$\frac{7}{10}$ ~△
15	0866 58 281 B	Roller	2	
●	0866 58 281 C	Roller	2	$\frac{7}{10}$ ~○
16	0866 58 282 A	Pin, "A"	2	
●	0866 58 282 B	Pin, "A"	2	$\frac{7}{10}$ ~△
17	0886 58 291 A	Lever, Check	2	
●	0866 58 291 B	Lever, Check	2	$\frac{7}{10}$ ~○
18	0866 58 293	Pin, "B"	2	
19	0223 58 721	Bush	4	
20	0187 58 731	Pin, Hinge	2	
21	0866 72 292	Spring, Check	2	
●	0866 72 292 A	Spring, Check	2	$\frac{7}{10}$ ~○
22	99783 0828	Bolt, Door Hinge	20	
	99971 0800	Washer, Spring	20	
23	99951 0822	Washer, Plain-Hinge "A"	4	
24	1743 72 310 A	Lock (R) , Door	1	
	1743 73 310 A	Lock (L) , Door	1	
25	0398 58 319 A	Bush	8	
26	99832 0630	Screw, Door Lock	6	
	99971 0600	Washer, Spring	6	
27	99940 0600	Nut	2	

REAR SIDE DOOR

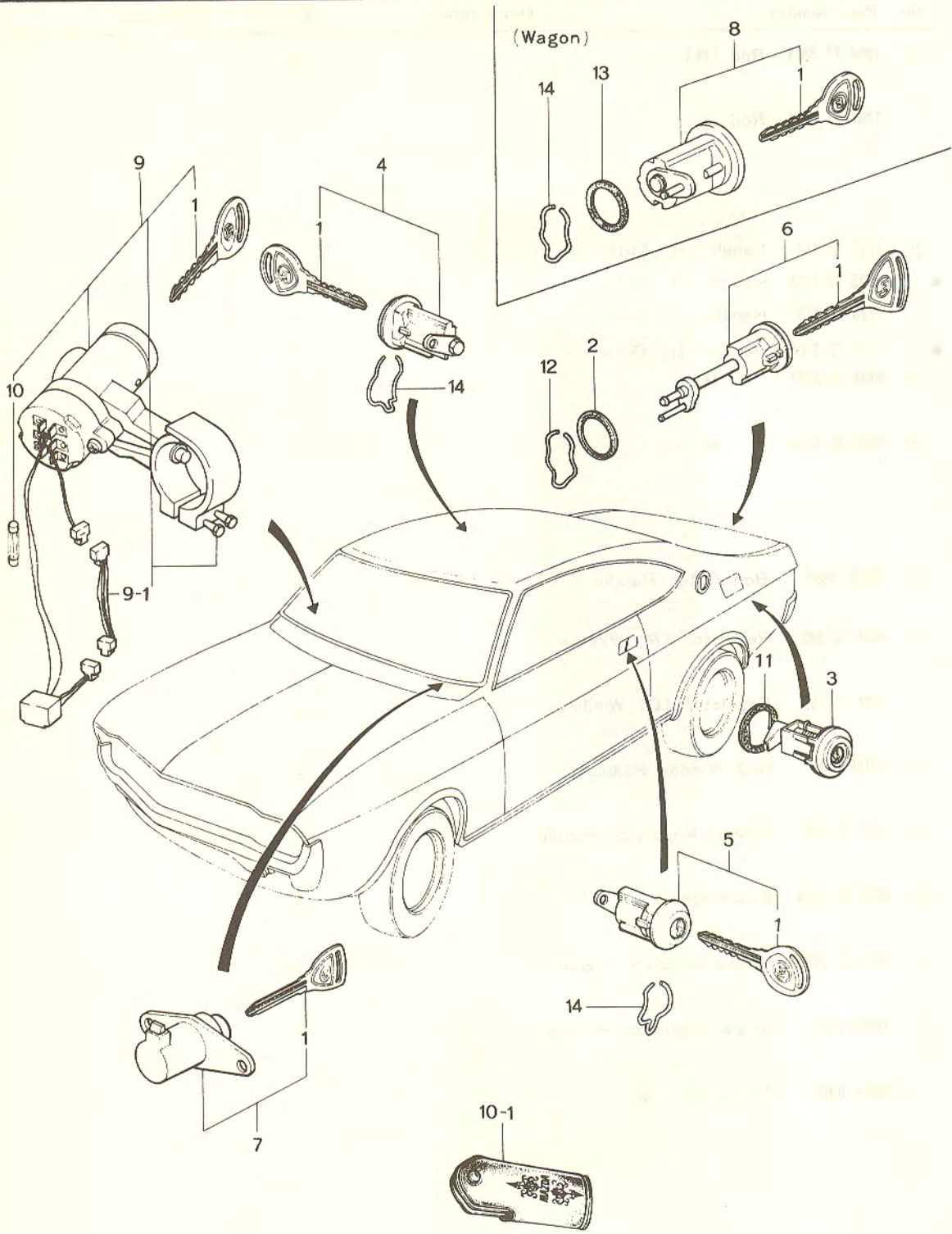
(LOCK, SEDAN & WAGON)

72

73

No.	Part Number	Description	Q'ty	Remarks
28	1004 72 331A	Rod (R)	1	
	1004 73 331A	Rod (L)	1	
29	1725 72 410	Handle (R), Outer	1	
●	1725 72 410A	Handle (R), Outer	1	$\frac{3}{11} \sim \times$
	1725 73 410	Handle (L), Outer	1	
●	1725 73 410A	Handle (L), Outer	1	$\frac{3}{11} \sim \times$
30	0398 58 319A	Bush	1	
31	0305 58 411A	Bush	1	
32	99796 0608	Bolt, Outer Handle	6	
33	1004 72 580	Regulator (R), Window	1	
	1004 73 580	Regulator (L), Window	1	
34	99796 0610	Bolt, Window Regulator	8	
35	1011 58 552	Gasket, Regulator Handle	2	
36	0223 58 375A	Escutcheon	2	
37	0824 58 370B	Handle, Regulator (BLK)	2	
38	99806 0516	Screw, Regulator Handle	2	
	99971 0500	Washer, Spring	2	

(Wagon)



No.	Part Number	Description	Q'ty	Remarks
	1757 09 010A	Key Set (Sedan & Hardtop)	1	
●	1757 09 010B	Key Set (Sedan & Hardtop)	1	$\frac{3}{11} \sim \times$
	1791 09 010A	Key Set (Wagon)	1	
●	1791 09 010B	Key Set (Wagon)	1	$\frac{3}{11} \sim \times$
1	0839 58 492A	Key, Primary	2	
2	0223 58 962	Gasket, Trunk Lid Key	1	
3	0866 74 430	Lock, Filler Lid (Key No. 2500~2999)	1	
	0866 74 440	Lock, Filler Lid (Key No. 3000~3499)	1	
4	0839 74 910A	Key Sub Set (R), Door	1	
5	0839 74 920A	Key Sub Set (L), Door	1	
6	1011 75 930	Key Sub Set, Trunk Lid (Sedan & Hardtop)	1	
7	1011 75 950	Key Sub Set, Glove Lid	1	
8	1029 75 960	Key Sub Set, Back Door (Wagon)	1	
9	1757 75 990A	Lock, Steering (Fig. No. 10 included)	1	
● 9-1	1175 66 710	Link, Fusible	1	From Car No. 1
10	99706 0110	Fuse	1	
● 10-1	0317 58 480A	Holder, Key	1	From Car No. 1
11	0621 42 455	Seat, Filler Lid Lock	1	
12	0305 52 802	Retainer, Truck Lid Lock	1	
13	0259 58 662	Gasket, Back Door Key Cylinder (Wagon)	1	
14	0223 58 961	Fastener, Door Key Cylinder	2 (Sedan & Hardtop) 3 (Wagon)	
	0839 74 158	Blank Key, Primary (Key No. 2500~2999)	—	
	0839 74 168	Blank Key, Primary (Key No. 3000~3499)	—	

INDEX.

PARTS NUMBER	PARTS COMP. LIST PAGE	FIG. NO.	PARTS NUMBER	PARTS COMP. LIST PAGE	FIG. NO.	PARTS NUMBER	PARTS COMP. LIST PAGE	FIG. NO.
1011 05 350A	37	51	3565 10 300	3	26	1757 10 722	6	66
1757 09 010A	333		1029 10 305	4	39	1757 10 723	6	67
1757 09 010B	333		1757 10 305	4	39	3565 10 730A	5	63
1791 09 010A	333		1757 10 309	3	29	0866 10 830	6	69
1791 09 010B	333		0866 10 320A	3	30	1757 10 845	6	70
1757 10 100A	2	1	1757 10 351	4	41	3565 10 860A	6	71
3565 10 100C	2	1	1755 10 402	7	83	1757 10 861	6	71
0839 10 105	2	2	1011 10 410	7	85	1757 10 862	6	73
1757 10 111	2	6	3565 10 410A	7	85	3565 10 865A	6	71
1757 10 120	2	3	2329 10 417	7	81	1011 11 111	13	50
1757 10 171A	2	7	1757 10 451	4	43	1029 11 301	10	9
1757 10 171A	7		1757 10 452	4	43	1757 11 301B	10	9
0813 10 172	2	8	0839 10 455	4	44	1011 11 302C	10	10
0813 10 172	7		0839 10 455	7		1757 11 304	10	11
1757 10 172	2	8	1757 10 500	10	1	0820 11 317	10	12
1757 10 172	7		0820 10 502B	10	2	1011 11 321	10	13
0813 10 173	7		0820 10 502B	10	5	0839 11 323A	10	14
0813 10 174	2	10	0839 10 504	10	3	0820 11 341	8	
0813 10 174	7		1757 10 550	10	4	0820 11 341	10	15
1757 10 200C	2	11	0813 10 555	7		0820 11 343	8	
3523 10 200	2	11	0813 10 555	10	8	0820 11 343	10	16
0820 10 203	3	27	1668 10 556	10	6	1011 11 351	11	17
0839 10 203	2	12	1757 10 600B	4	45	1011 11 353	11	18
2329 10 204	2	13	3523 10 600	4	45	1011 11 361	11	19
0839 10 205	2	14	0820 10 605	4	46	1011 11 363	11	20
0839 10 205	3	28	1757 10 609	4	47	1757 11 400	11	21
1757 10 206	2	15	0820 10 631B	4	48	1758 11 400	11	21
1757 10 206A	2	15	1757 10 641	5	60	1881 11 403	11	22
1757 10 207	2	16	1757 10 641	8		1881 11 404	11	23
1757 10 208	3	20	1757 10 700B	5	61	0813 11 405	11	24
0324 10 250	3	24	3565 10 700A	5	61	0839 11 411A	11	25
0324 10 252	3	25	1757 10 711	5	64	0839 11 412	11	26
1755 10 300	3	26	1757 10 711	8		1011 11 501	11	29
1757 10 300A	3	26	0839 10 721	6	65	0839 11 502	11	31

INDEX.

PARTS NUMBER	PARTS COMP. LIST PAGE	FIG. NO.	PARTS NUMBER	PARTS COMP. LIST PAGE	FIG. NO.	PARTS NUMBER	PARTS COMP. LIST PAGE	FIG. NO.
1011 11 504	12	32	1758 13 200	18	1	0222 13 363	121- B	1
0813 11 505B	12	33	3565 13 200A	18	1	0223 13 363	123	1
0839 11 506	11	31	3567 13 200A	18	1	0223 13 363	128- B	1
1011 11 507	12	34	3902 13 200A	18	1	1010 13 365A	20	10
0839 11 508	11	31	3904 13 200	18	1	1757 13 371	15	16
0839 11 509	12	31	1757 13 201	18- 2	46	1757 13 371A	15	16
1757 11 511	12	35	1757 13 201A	18- 2	46	1757 13 371B	15	16
1757 11 512	12	36	1757 13 221	8		1757 13 371B	16- 2	17
0839 11 531	12	37	1757 13 221	18- 2	47	3565 13 380B	16- 3	25
1757 11 541	12	38	1757 13 222	18- 2	48	3565 13 390	16- 3	26
1757 11 551	12	39	1757 13 251A	15	11	1757 13 400B	117	2
1757 11 600B	12	40	1757 13 251A	16- 2	12	1757 13 400C	117	2
1757 11 600C	12	40	2850 13 266	155- B	1	1757 13 400C	121- B	2
1757 11 600D	12	40	1757 13 300	20	1	1757 13 400C	123	2
1757 11 600E	12	40	1757 13 300A	20	1	1757 13 400C	128- B	4
1881 11 600	12	40	3565 13 300	20	1	1791 13 400B	123	2
3565 11 600	12	40	1617 13 305A	20	6	1791 13 400B	128- B	3
3587 11 600	12	40	1757 13 310	20	7	0866 13 402A	117	3
3625 11 600	12	40	1757 13 330A	15	13	0866 13 402A	121- B	4
0820 11 611B	12	41	1757 13 330B	15	13	0866 13 402A	123	3
1757 11 700	12	43	3565 13 330	16- 2	14	0866 13 402A	128- B	6
0866 11 702	12	44	2850 13 331	68- B	1	1791 13 421	123	3
0820 11 705	12	46	2850 13 332	243	20	1791 13 421	128- B	8
0810 11 711	12	47	2850 13 332	251	22	0118 13 431	141	1
0820 11 712	12	48	2850 13 332	264	63	1757 13 445	117	4
1029 11 750	13	53	1097 13 341	15	15	1757 13 445	121- B	5
1757 13 100A	15	1	1757 13 341	15	15	1757 13 445	123	7
3565 13 100A	16- 2	1	1757 13 341A	15	15	1757 13 445	128- B	9
3900 13 100B	16- 2	1	1757 13 341A	16- 2	16	1757 13 446	117	5
1757 13 111	8		1757 13 351	20	2	1757 13 446	121- B	6
1757 13 111	15	10	1690 13 361	123	1	1757 13 446	123	4
1757 13 111	16- 2	11	1690 13 361	128- B	2	1757 13 446	128- B	11
0813 13 173	2	9	0222 13 363	34	1	1570 13 447	117	6
1757 13 200A	18	1	0222 13 363	117	1	1570 13 447	121- B	8

INDEX.

PARTS NUMBER	PARTS COMP. LIST PAGE	FIG. NO.	PARTS NUMBER	PARTS COMP. LIST PAGE	FIG. NO.	PARTS NUMBER	PARTS COMP. LIST PAGE	FIG. NO.
1570 13 447	123	5	1757 13 718	24	8	1757 13 772B	25	27
1570 13 447	128- B	12	3565 13 718	24	8	1757 13 775	25	30
1757 13 447	117	7	1757 13 720	24	9	1757 13 775A	25	30
1757 13 447	121- B	9	1758 13 720	24	9	1757 13 775A	25	31
1757 13 447	123	6	3565 13 720A	24	9	1757 13 776	25	31
1757 13 447	128- B	13	3567 13 720A	24	9	1757 13 778	25	32
1883 13 448	117	8	3587 13 720	24	9	1757 13 780	118	19
1883 13 448	121- B	11	3589 13 720	24	9	1757 13 780	121- C	20
1883 13 448	123	7	1757 13 724	8		1757 13 780	124	18
1757 13 449	117	9	1757 13 724	24	11	1757 13 780	128- C	23
1757 13 449	123	8	3565 13 724	24	11	1757 13 785	118	21
0222 13 470B	117	16	2329 13 726	24	12	1757 13 785	124	20
0222 13 470B	121- B	17	1758 13 730	24	13	1757 13 785A	118	21
0222 13 470E	123	15	3565 13 730	24	13	1757 13 785A	124	20
0222 13 470B	128- C	20	3625 13 730	24	13	1757 13 785B	118	21
0381 13 481	117	17	1757 13 740	24	14	1757 13 785B	121- C	22
0381 13 481	121- B	18	2090 13 742A	16	19	1757 13 785B	124	20
0381 13 481	123	16	2090 13 742A	16- 3	21	1757 13 785B	128- C	25
0381 13 481	128- C	21	1757 13 744	25	16	3565 13 785	121- C	22
0603 13 481	71	18	2090 13 746	25	17	3565 13 785	128- C	25
0222 13 493	119	41	1757 13 750	25	18	1757 13 786	118	22
1757 13 510A	22	1	3565 13 751	25	32	1757 13 786	124	21
1757 13 510B	22	1	1757 13 752	25	19	1757 13 786A	118	22
1757 13 515A	22	2	1757 13 753	25	20	1757 13 786A	124	21
1757 13 527A	22	4	1757 13 754	25	21	1757 13 786B	118	22
1757 13 527B	22	4	1757 13 754A	25	21	1757 13 786B	121- C	23
1668 13 531A	22	5	1757 13 754B	25	21	1757 13 786B	124	21
0839 13 614	16	21	1757 13 754C	25	21	1757 13 786B	128- C	26
0839 13 614	16- 3	22	2329 13 754A	25	22	1757 13 787	118	26
1757 13 710	24	1	2329 13 754A	25	22	1757 13 787	121- C	24
1757 13 710A	24	1	1757 13 757	25	23	1757 13 787	124	25
1757 13 714	24	3	1757 13 770A	25	26	1757 13 787	128- C	32
1757 13 715	24	6	1757 13 770B	25	26	1757 13 788	118	23
1757 13 717	24	7	1757 13 772A	25	27	1757 13 788	124	22

INDEX.

PARTS NUMBER	PARTS COMP. LIST PAGE	FIG. NO.	PARTS NUMBER	PARTS COMP. LIST PAGE	FIG. NO.	PARTS NUMBER	PARTS COMP. LIST PAGE	FIG. NO.
1757 13 788A	118	23	2329 13 876	16- 3	20	0839 14 273A	4	50
1757 13 788A	124	22	2329 13 882	16	21	0839 14 274	4	51
1757 13 788B	118	23	2329 13 882	16- 3	22	0839 14 300	29	22
1757 13 788B	121- C	25	1757 13 889	8		1757 14 600	30	28
1757 13 788B	124	22	1757 13 889	16	22	1757 14 601	32	65
1757 13 788B	128- C	27	1757 13 889B	8		1757 14 611	31	50
3565 13 788	121- C	25	1757 13 889B	16- 3	23	0820 14 620A	31	52
3565 13 788	128- C	27	1757 13 891	8		0813 14 623	31	53
0862 13 790	118	24	1757 13 891	16	23	0820 14 625A	31	54
0862 13 790	124	23	1757 13 891	16- 3	24	0813 14 641	31	55
1029 13 790	118	24	1757 13 891	114	1	1757 14 651	31	56
1029 13 790	121- C	26	1757 13 910	26	38	1757 14 652	32	66
1029 13 790	124	23	1202 13 911	25	27	1757 14 653	32	66
1029 13 790	128- C	29	1757 13 912	26	39	1757 14 654	32	66
1757 13 790	118	24	1757 13 912A	26	39	1757 14 660	31	60
1757 13 790	121- C	27	3565 13 915	121- C	31	3565 14 660A	31	60
1757 13 790	124	23	3565 13 915	128- C	33	3565 14 662	35	33
1757 13 790	128- C	28	1757 14 020	28	1	1757 14 670	31	61
1011 13 792	118	25	1757 14 100	28	8	3565 14 670A	31	61
1011 13 792	124	24	1757 14 112	28	9	1757 14 680	32	62
1757 13 792A	118	25	0810 14 113	28	10	1011 14 683	32	63
1757 13 792A	121- C	28	0839 14 115	4	49	1757 14 700A	34	2
1757 13 792A	124	24	0839 14 117	28	11	1757 14 700B	34	2
1757 13 792A	128- C	30	0820 14 118C	28	12	1757 14 700C	34	2
1029 13 795A	118	26	0839 14 119B	28	13	1757 14 700D	34	2
1029 13 795A	124	25	0823 14 130	28	2	3565 14 700	34	2
1624 13 795	118	26	0823 14 131	28	3	0813 14 716	34	7
1624 13 795	124	25	1757 14 132	28	4	0865 14 720	34	8
3565 13 795	121- C	30	0839 14 133	28	5	1570 14 730A	34	9
3565 13 795	128- C	31	0839 14 141A	29	16	1757 14 740	34	10
1757 13 800	16	18	0839 14 142	29	17	1758 14 740	34	10
1757 13 800	16- 3	19	0866 14 160E	29	18	0839 14 745	34	11
3565 13 800A	16- 3	19	0810 14 171	29	19	1757 14 810	34	3
2329 13 876	16	20	0820 14 250D	29	21	1757 14 821	34	4

INDEX.

PARTS NUMBER	PARTS COMP. LIST PAGE	FIG. NO.	PARTS NUMBER	PARTS COMP. LIST PAGE	FIG. NO.	PARTS NUMBER	PARTS COMP. LIST PAGE	FIG. NO.
1757 14 822	34	5	3900 15 200	36	41	1757 15 521	38	63
1052 15 010	35	17	0223 15 205	36	46	3565 15 521A	38	63
1052 15 010A	35	17	0766 15 205	36	46	3523 15 811	42	38
1052 15 010A	35	17	2981 15 205	37	52	3523 15 811	261	9
1757 15 010B	35	17	1907 15 210	36	42	1757 15 906	40	1
1757 15 010D	35	17	3900 15 210	36	42	1769 15 906	41	18
1907 15 010	35	17	1757 15 211A	36	39	3523 15 907	41	19
1907 15 010B	35	17	1907 15 250	36	40	1769 15 908	41	20
2090 15 104	35	18	3900 15 250	36	40	1757 15 911A	40	2
1757 15 105	8		0488 15 251	37	52	1769 15 911	41	22
1757 15 105	36	34	2667 15 303A	283- 1	49	1769 15 911A	41	22
1757 15 105A	8		1011 15 310F	36	45	1757 15 912	40	3
1757 15 105A	36	34	1757 15 310	36	45	1757 15 912	41	23
0820 15 106	8		1758 15 310	36	45	3523 15 913	41	23
0820 15 106	36	35	3565 15 310	36	45	1757 15 920	40	4
1757 15 106	8		3567 15 310	36	45	1757 15 921	40	5
1757 15 106	36	35	1011 15 311A	37	48	1769 15 921	41	25
3558 15 110	121- F	79	1757 15 312	34	1	1769 15 921A	41	25
1757 15 114	35	19	1011 15 317	37	47	1769 15 923	41	30
1757 15 118	35	20	1757 15 331	38	69	3523 15 932	41	31
1757 15 120	35	21	1757 15 331A	38	69	1769 15 933	41	32
1757 15 132	35	22	0806 15 350	37	51	3523 15 933	41	32
1751 15 151	36	37	1052 15 350	37	51	1769 15 940	42	33
1751 15 151A	36	37	1052 15 350A	37	51	3523 15 940	42	33
1757 15 151B	36	37	1011 15 351A	37	55	1769 15 942	42	34
1757 15 152A	35	23	1751 15 351A	37	55	3523 15 942	42	34
1052 15 170	35	25	1769 15 411	37	57	1769 15 944	42	35
1757 15 170	35	25	1769 15 411A	37	57	1757 15 966	40	11
1758 15 170	35	25	3565 15 411A	37	57	3523 15 966	42	37
0839 15 171A	35	24	1769 15 421	37	58	1757 15 967	40	13
0813 15 173	35	27	1769 15 421A	37	58	1757 15 970	40	15
1757 15 173	35	27	3565 15 421A	37	58	0603 16 102B	44	1
1757 15 190	35	26	1757 15 511	38	62	0603 16 103	44	5
1097 15 200	36	41	3565 15 511A	38	62	0222 16 105	44	6

INDEX.

PARTS NUMBER	PARTS COMP. LIST PAGE	FIG. NO.	PARTS NUMBER	PARTS COMP. LIST PAGE	FIG. NO.	PARTS NUMBER	PARTS COMP. LIST PAGE	FIG. NO.
0813 16 112	44	3	0839 17 285	51	18	0862 17 375	49	
1881 16 210A	44	4	0839 17 287	52	19	0810 17 381	48	21
0866 16 214A	44	7	0839 17 288	52	19	0810 17 385	48	22
1769 16 410	44	8	0821 17 297	52	20	0810 17 385	49	
0839 16 432	44	9	1011 17 301	52	21	0810 17 402	55	4
1769 16 460	44	11	0839 17 302	52	22	0810 17 404	55	5
1769 16 460A	44	11	0821 17 303	52	23	1011 17 406	55	6
0820 16 510	44	12	0839 17 305	52	24	1011 17 410	55	7
0820 16 515	44	13	0839 17 310	52	25	1011 17 410A	55	7
0454 16 520	44	14	0118 17 313	55	1	0103 17 411	55	8
1011 17 100B	47	1	0839 17 313	52	26	1011 17 420	55	9
0839 17 105	47	2	0839 17 321A	52	27	0839 17 431	55	10
0839 17 111	47	6	0111 17 323	55	2	0221 17 441	55	11
0839 17 111	49		0600 17 324	52	29	0259 17 441	55	12
0810 17 121	47	7	0305 17 327	52	30	0862 17 441	48	25
0862 17 201	51	1	0305 17 328	52	30	0862 17 441	68- F	1
0810 17 204	51	2	1620 17 330A	47	9	0862 17 442	48	26
0810 17 205	51	3	0376 17 335	47	12	0862 17 442	68- F	6
1011 17 221A	51	4	0376 17 335	68- G	35	1620 17 450	55	16
0317 17 225	51	5	0437 17 335	47	12	0398 17 461A	55	17
0862 17 230	51	6	0437 17 335	68- G	35	0398 17 462A	55	18
0862 17 241	51	7	0862 17 341	52	31	0303 17 470	55	19
0187 17 243	51	8	0862 17 341	68- Q	1	0221 17 473	56	22
0881 17 245B	51	9	0114 17 351	55	3	0647 17 473	56	22
0862 17 250	51	10	0862 17 351	47	13	0303 17 474	49	
0862 17 261	51	11	0862 17 351	68- F	5	0303 17 474	57	37
0862 17 262A	51	12	0187 17 352	47	14	0221 17 475B	56	24
1011 17 270	51	13	0187 17 352	68- F	2	0862 17 475	56	24
0839 17 275	51	14	0111 17 354	47	15	0271 17 478	49	
0839 17 276	51	15	0111 17 354	68- F	3	0271 17 478	56	25
0839 17 277	51	15	0839 17 361	47	17	0303 17 482	57	38
0839 17 278	51	15	0839 17 361	49		0183 17 491	56	26
0839 17 281	51	16	0862 17 371	48	18	0187 17 492	56	27
0839 17 284	51	17	0862 17 375	48	20	1769 17 510	56	28

INDEX.

PARTS NUMBER	PARTS COMP. LIST PAGE	FIG. NO.	PARTS NUMBER	PARTS COMP. LIST PAGE	FIG. NO.	PARTS NUMBER	PARTS COMP. LIST PAGE	FIG. NO.
1769 17 510A	56	28	1757 18 150	59	9	1758 18 400A	66	1
1931 17 520	56	29	1757 18 150B	59	9	1758 18 400B	66	1
1011 17 530	48	30	1757 18 150C	59	9	0866 18 501A	3	31
1011 17 535	48	31	1757 18 160	59	8	1757 18 510	3	32
1011 17 535	49		1757 18 170	59	13	1757 18 510A	3	32
1011 17 540A	48	33	1757 18 170A	59	13	1620 18 520	67	24
0221 17 551A	56	30	1757 18 180	59	14	1672 18 520	67	24
0221 17 552	56	31	1757 18 180A	59	14	1689 18 520	67	24
0303 17 561	56	32	1011 18 190	59	15	2328 18 600	61	42
1114 17 630	56	33	1011 18 190A	59	15	2691 18 660	130	17
1769 17 630	56	33	1757 18 200	60	20	1011 18 810	61	43
0376 17 640A	56	35	1757 18 200A	60	20	1757 18 860	25	34
1562 18 100	59	1	1758 18 200	60	20	3565 18 860	25	34
1562 18 100A	59	1	1758 18 200A	60	20	3900 18 860	25	34
1672 18 100	59	2	3565 18 200	60	20	1757 18 880	38	65
0845 18 101	59	16	3587 18 200	60	20	1881 18 880	38	65
0866 18 101	59	17	0107 18 216A	60	21	1114 18 890A	278	1
0823 18 107	59	3	0810 18 276	32	64	1663 18 920	6	74
1757 18 110	59	4	0810 18 277	32	64	2329 18 921	7	83
1757 18 110A	59	4	1757 18 300A	63	1	2329 18 921	7	84
3565 18 110	59	4	1757 18 311	64	20	2329 18 922	6	75
3631 18 110	59	4	1757 18 361A	64	23	2329 18 923	6	76
0820 18 111B	59	5	2783 18 368	71	18	2329 18 924	6	77
0823 18 111	283- 4	1	0222 18 375	64	26	2329 18 930B	278	3
0820 18 114	59	10	0222 18 375	99	1	1757 18 940A	61	45
1757 18 115	59	6	0222 18 376	64	26	1758 18 940A	61	45
1757 18 115A	59	6	0222 18 376	99	1	3565 18 940	61	45
3565 18 115	59	6	0222 18 377	64	26	3567 18 940	61	45
3631 18 115	59	6	0222 18 377	99	1	3589 18 940	61	45
1757 18 120	59	7	1757 18 381	64	27	3631 18 940	61	45
1757 18 130	59	11	0453 18 391	61	40	1758 19 020	68- B	2
1757 18 130A	59	11	1757 18 400A	66	1	1758 19 020A	68- B	2
1757 18 140	59	12	1757 18 400B	66	1	0842 19 025	68- B	4
1757 18 140A	59	12	1758 18 400	66	1	1908 19 027	68- B	6

INDEX.

PARTS NUMBER	PARTS COMP. LIST PAGE	FIG. NO.	PARTS NUMBER	PARTS COMP. LIST PAGE	FIG. NO.	PARTS NUMBER	PARTS COMP. LIST PAGE	FIG. NO.
0454 19 028	68- B	7	1758 19 386	68- G	24	0338 19 488	68- L	22
0454 19 028A	68- B	7	0338 19 388A	68- G	25	0338 19 488	68- N	
1758 19 028	68- B	9	0338 19 389	68- G	26	0338 19 493	68- K	10
1015 19 031	68- U	1	1758 19 391	68- G	27	0338 19 493	68- L	23
1758 19 035	68- U	20	1758 19 392	68- G	28	0338 19 498	68- K	11
1758 19 036	68- U	1	0842 19 394	68- G	29	0338 19 498	68- L	24
1758 19 036A	68- U	1	1758 19 394	68- G	30	0338 19 498	68- N	
1758 19 055	68- U	1	0338 19 395	68- G	31	0338 19 499	68- K	12
1758 19 090	68- D		0338 19 397	68- G	32	0338 19 499	68- L	25
0338 19 100A	68- B	12	0338 19 397	68- R	25	0338 19 499	68- N	
1758 19 211A	68- B	13	1758 19 397	68- G	33	0338 19 500	68- K	13
1758 19 215	68- E	14	1181 19 431	68- U	3	0338 19 500	68- L	26
0338 19 216	68- B	15	1758 19 431	68- U	3	0338 19 500	68- O	
1758 19 220	68- B	16	1758 19 440	68- U	6	1758 19 503	68- K	14
0338 19 223	68- E	17	1758 19 443	68- U	7	1758 19 504	68- K	14
1758 19 240	68- C	18	0338 19 449	68- U	8	1758 19 505	68- K	14
0338 19 245A	68- C	19	1758 19 450	68- U	9	1758 19 506	68- K	14
0338 19 256	68- C	20	1758 19 460	68- K	2	1758 19 507	68- K	14
0338 19 257	68- C	21	0338 19 470	68- K	3	1758 19 508	68- K	14
0338 19 258	68- C	22	0338 19 475	68- K	4	0338 19 509	68- L	15
1758 19 310	68- F	10	0338 19 475	68- L	17	0338 19 509	68- L	27
0338 19 331A	68- F	11	0338 19 475	68- N		0338 19 509	68- O	
0338 19 331A	68- F	11	0338 19 476	68- K	5	1758 19 510	68- L	16
0338 19 336	68- F	13	0338 19 476	68- L	18	1758 19 511	68- L	28
0338 19 337	68- F	14	0338 19 476	68- N		0378 19 515	68- L	29
0338 19 338	68- F	15	0338 19 480	68- K	6	0338 19 530	68- L	30
1758 19 341	68- G	18	0338 19 480	68- L	19	0338 19 531	68- L	31
0378 19 344	68- F	16	0338 19 486	68- K	7	0338 19 533	68- L	32
0338 19 360	68- K	1	0338 19 486	68- L	20	0338 19 534	68- M	33
0338 19 361	68- G	19	0338 19 486	68- N		0338 19 540	68- M	34
0338 19 363	68- G	20	0338 19 487	68- K	8	0338 19 550	68- M	35
0842 19 381	68- G	21	0338 19 487	68- L	21	0338 19 560	68- M	36
0338 19 384	68- G	22	0338 19 487	68- N		0338 19 565	68- M	37
0842 19 385	68- G	23	0338 19 488	68- K	9	0338 19 566	68- M	38

INDEX.

PARTS NUMBER	PARTS COMP. LIST PAGE	FIG. NO.	PARTS NUMBER	PARTS COMP. LIST PAGE	FIG. NO.	PARTS NUMBER	PARTS COMP. LIST PAGE	FIG. NO.
0338 19 567	68- M	39	0338 19 632	68- M	46	0338 19 704	68- U	13
0338 19 570	68- M	40	0338 19 633	68- M	46	0338 19 706	68- U	14
0338 19 580	68- Q	4	0338 19 634	68- M	46	1840 19 710	68- G	34
0338 19 581	68- C	5	0338 19 635	68- N	46	0338 19 731	68- U	16
0338 19 590	68- Q	6	0338 19 636	68- N	46	0338 19 732	68- U	17
0338 19 591	68- C	7	0338 19 638	68- N	47	0338 19 733C	68- U	18
0338 19 593	68- Q	8	0338 19 638	68- O		0338 19 734A	68- U	19
0338 19 594	68- Q	9	0338 19 639	68- N	48	0338 19 735	68- H	36
0338 19 595	68- C	10	0338 19 641	68- N	49	0338 19 737	68- H	37
0338 19 596	68- Q	11	0338 19 642	68- N	49	0338 19 739	68- H	37
0338 19 598	68- M	41	0338 19 643	68- N	49	1758 19 750	68- H	38
0338 19 601	68- Q	12	0338 19 644	68- N	49	0338 19 768	68- H	39
0338 19 603	68- C	13	0338 19 645	68- N	49	1758 19 815	68- H	40
0338 19 604	68- C	14	0338 19 646	68- N	49	1675 19 821	68- H	44
0338 19 605	68- Q	15	0338 19 647	68- N	49	0338 19 822	68- H	45
0338 19 606	68- C	16	0842 19 650	68- R	24	0338 19 823	68- H	46
0338 19 607	68- Q	17	0338 19 651	68- R	26	1758 19 823	68- H	46
0338 19 608	68- R	18	0338 19 655	68- R	27	0338 19 825	68- H	47
0338 19 609	68- R	19	0338 19 656	68- R	28	0338 19 826	68- H	47
0338 19 610	68- R	20	0842 19 660	68- R	29	0338 19 827	68- H	47
0338 19 613A	68- R	21	0338 19 661	68- R	30	0338 19 828	68- H	47
0338 19 614A	68- R	21	0338 19 663	68- R	31	0338 19 829	68- H	47
0338 19 615A	68- R	21	0338 19 664	68- S	32	0338 19 831	68- H	41
0338 19 616A	68- R	21	0842 19 665	68- S	33	0338 19 832	68- H	42
0338 19 617A	68- R	21	0338 19 666	68- S	34	0338 19 833	68- H	43
0338 19 618A	68- R	21	0338 19 667	68- S	35	1758 19 835	68- I	48
0338 19 619	68- R	22	0338 19 670A	68- S	36	1758 19 836	68- I	49
0338 19 621	68- M	42	0338 19 676	68- S	37	0338 19 837	68- I	50
0338 19 621	68- C		0338 19 678	68- C	23	1758 19 870	68- I	51
0338 19 622	68- M	43	0338 19 701	68- U	10	1758 19 880	68- I	52
0338 19 622	68- R	23	0338 19 701A	68- U	10	0338 19 904A	68- C	27
0338 19 623	68- M	44	0338 19 702	68- U	11	0808 19 910	68- C	28
0338 19 624	68- M	45	0338 19 702A	68- U	11	0842 19 915A	68- C	29
0338 19 631	68- M	46	0338 19 703	68- U	12	1758 19 920A	68- C	31

INDEX.

PARTS NUMBER	PARTS COMP. LIST PAGE	FIG. NO.	PARTS NUMBER	PARTS COMP. LIST PAGE	FIG. NO.	PARTS NUMBER	PARTS COMP. LIST PAGE	FIG. NO.
1758 19 920B	68- C	31	1757 23 360	18	8	1758 23 500	18- 2	39
1758 19 930A	68- C	32	1757 23 370	18	9	1757 23 507	18- 2	40
1758 19 930B	68- C	32	1757 23 371	18	10	1757 23 509	18- 2	41
1758 19 933	68- C	33	1757 23 372	18	11	1757 23 510	18- 2	42
1758 19 933A	68- C	33	1757 23 373	18	12	1757 23 520	18- 2	43
1098 19 939	68- C	34	1757 23 374	18	13	1758 23 520	18- 2	43
1098 19 939	68- C	34	1757 23 380	18	14	1757 23 540	18- 2	
1758 19 940	68- C	35	1757 23 390	18	15	3565 23 540	18- 2	
1015 19 945A	68- C	36	0268 23 393A	18	16	1757 23 549	18- 2	44
2579 19 989	68- C	37	0268 23 394	18	17	1757 23 652	18- 2	45
0397 22 200	68- N		1757 23 409	18	18	1757 23 672	20	3
0881 22 297	53	38	1757 23 410	18- 1	19	1113 23 673	20	4
0398 22 333	47	10	1757 23 420	18- 1	20	1757 23 673	20	4
0866 23 025	6	79	0820 23 422	18- 1	21	3565 23 673	20	4
0866 23 025	8		1757 23 423	18- 1	22	1757 23 680	20	5
1757 23 040	7		1758 23 423	18- 1	22	1757 23 713	26	41
1708 23 070	7	80	1757 23 424	18- 1	23	1757 23 725	26	37
1757 23 070	7	80	1757 23 426	18- 1	24	1757 23 725	26	37
1757 23 080	7	80	1757 23 427	18- 1	25	3565 23 725	26	37
1757 23 103	13	49	0820 23 428	18- 1	26	0839 23 801	29	23
1011 23 151A	13	51	1757 23 430	18- 1	27	0813 23 802B	29	24
1011 23 176	10	13	1757 23 433	18- 1	28	0813 23 803	29	25
0820 23 180C	13	52	1757 23 440	18- 1	29	0820 23 832B	30	29
1757 23 200	7		1757 23 450	18- 1	30	0820 23 833B	30	30
1758 23 200	7		1757 23 455	18- 1	31	0820 23 834B	30	31
3565 23 200	7		1757 23 460	18- 1	32	0820 23 835A	30	33
3567 23 200	7		1757 23 461	18- 1	33	0730 23 837	30	34
1757 23 318	18	2	1757 23 462	18- 1	34	1011 23 837	30	35
1757 23 318A	18	2	1757 23 470	18- 1	35	1011 23 838	30	36
1757 23 319	18	3	1757 23 480	18- 1	36	0730 23 839	30	37
1757 23 326	18	4	1757 23 481	18- 1	37	0820 23 840	30	38
1757 23 350	18	5	1757 23 490	18- 2	38	1011 23 841	30	39
1757 23 353	18	6	1758 23 490	18- 2	38	0820 23 842	30	40
1757 23 354	18	7	1757 23 500	18- 2	39	1757 23 844	30	41

INDEX.

PARTS NUMBER	PARTS COMP. LIST PAGE	FIG. NO.	PARTS NUMBER	PARTS COMP. LIST PAGE	FIG. NO.	PARTS NUMBER	PARTS COMP. LIST PAGE	FIG. NO.
0730 23 845	30	42	3900 24 360	61	36	1758 24 730	66	12
0820 23 845A	30	43	1757 24 501	63	2	1758 24 730A	66	12
0730 23 846	30	44	0820 24 503	63	8	0426 24 731	66	13
0820 23 847A	30	45	1757 24 510	63	13	1758 24 731	66	13
0820 23 848A	30	46	0208 24 514	63	10	1758 24 736	66	20
0820 23 882A	28	14	1757 24 526	63	11	0222 24 741	66	14
1757 24 302	60	22	1757 24 527	63	3	0222 24 750	66	15
1757 24 303	60	23	1757 24 530	63	4	1758 24 750	66	15
0895 24 308	60	24	0866 24 533	63	5	0222 24 752A	66	16
1757 24 308	60	24	1757 24 533	63	14	0222 24 753	66	17
3565 24 308	60	24	1757 24 534	63	15	0426 24 753	66	18
1757 24 310	60	25	1757 24 535	63	6	0426 24 754	66	19
1219 24 313	60	26	1757 24 540	63	7	0324 24 760	66	20
1757 24 313	60	26	1011 24 541	63	16	1758 25 100	70	
1757 24 314	60	27	1757 24 550	63	9	1758 25 100A	70	
1757 24 314	60	27	1757 24 560	63	12	1757 25 121	70	1
1757 24 317	60	28	1011 24 563	63	17	0290 25 151	70	3
1219 24 319	60	29	1757 24 581	63	18	1757 25 171	70	2
1757 24 319	60	29	0866 24 704	66	2	1757 25 172	70	2
1757 24 322	60	30	1757 24 705	66	3	1757 25 173	70	2
1757 24 322	60	30	1758 24 705	66	3	1757 25 174	70	2
1219 24 323	60	34	1758 24 706	66	20	1757 25 175	70	2
1757 24 328	60	31	1757 24 709	66	4	1757 25 176	70	2
1757 24 330	60	32	1757 24 710	66	5	1757 25 177	70	2
3565 24 330	60	32	1757 24 710A	66	5	1757 25 178	70	2
3900 24 330	60	32	1758 24 710	66	5	1757 25 179	70	2
1757 24 334	60	33	0426 24 712	66	6	1757 25 220	70	7
1757 24 340	60	34	0426 24 715	66	7	1029 25 300	70	4
1757 24 350	61	35	0866 24 716	66	8	1757 25 300	70	4
1758 24 350	61	35	0845 24 720	66	9	1029 25 317	71	11
3565 24 350	61	35	0426 24 725	66	10	1029 25 319B	71	12
3900 24 350	61	35	0426 24 726	66	11	1114 25 331	71	13
1757 24 360	61	36	1758 24 726	66	11	1068 26 010	73	1
3565 24 360	61	36	1757 24 730	66	12	1078 26 010A	73	1

INDEX.

PARTS NUMBER	PARTS COMP. LIST PAGE	FIG. NO.	PARTS NUMBER	PARTS COMP. LIST PAGE	FIG. NO.	PARTS NUMBER	PARTS COMP. LIST PAGE	FIG. NO.
1078 26 010C	73	1	1011 26 671	76	13	0290 27 258	80	15
1791 26 010A	73	1	0221 26 673	77	17	1757 27 261	81	17
1791 26 010C	73	1	1011 26 681	76	14	0290 27 301	81	18
0259 26 041	73	5	1011 26 681A	76	14	0290 27 302	81	19
0259 26 051	73	6	1011 26 710A	76	11	0221 27 305	81	21
0419 26 060	73	4	1011 26 710B	76	11	1757 27 401	81	22
1029 26 111	73	12	1011 26 800	76	7	1757 27 402	81	22
1029 26 111A	73	12	1011 26 800A	76	7	1757 27 403	81	22
1011 26 121	73	11	1011 26 810	76	7	1757 27 404	81	22
1011 26 129A	73	10	1011 26 810A	76	7	1757 27 405	81	22
1011 26 132	73	14	1011 26 821	77	20	1757 27 406	81	22
1011 26 141	74	15	1011 26 831	77	21	1757 27 407	81	22
1011 26 142	74	15	1011 26 832	76	8	1757 27 408	81	22
1011 26 152	73	9	1011 26 835	77	22	1029 28 010B	86	1
1011 26 154	73	8	1769 26 839	268- B	12	1029 28 010C	86	1
1011 26 155	73	13	0613 26 922	77	18	1757 28 010	83	1
1011 26 251A	76	1	0223 27 012	80	1	1029 28 011	86	
1011 26 280	76	3	2112 27 018	80	2	1757 28 011	83	
0603 26 288	77	23	0223 27 030	80	3	1029 28 012	86	
1011 26 290	76	3	1757 27 100	80		1757 28 012	83	
1011 26 310	76	4	1757 27 110	80	4	1029 28 013	86	
1011 26 310A	76	4	1757 27 120	80	5	1757 28 013	83	
1011 26 341	76	5	0755 27 141	80	6	1029 28 014	86	
1011 26 342	76	6	0821 27 141A	80	7	1757 28 014	83	
1011 26 345	77	25	1757 27 150	80	8	1029 28 015	86	
1011 26 346	77	26	1757 27 171	80	10	1757 28 015	83	
0223 26 391	77	24	1757 27 230	80	11	1029 28 016	86	
1011 26 392	77	27	1757 27 230A	80	11	1029 28 016A	86	
0820 26 570A	78	30	1757 27 251	80	14	0223 28 110A	86	2
1757 26 570	78	30	0290 27 252	80	15	1011 28 110	83	2
1011 26 610A	76	11	0290 27 253	80	15	1011 28 130	83	5
1011 26 610B	76	11	0290 27 254	80	15	0223 28 140	86	5
1175 26 615	77	18	0249 27 255	81	16	1011 28 140A	83	6
0810 26 671	76	13	0290 27 257	80	15	0223 28 142	86	6

INDEX.

PARTS NUMBER	PARTS COMP. LIST PAGE	FIG. NO.	PARTS NUMBER	PARTS COMP. LIST PAGE	FIG. NO.	PARTS NUMBER	PARTS COMP. LIST PAGE	FIG. NO.
1011 28 150	83	7	1011 32 013A	90	21	0305 32 119	94	1
1029 28 150	86	7	1011 32 014	90	22	0305 32 119	99	4
1011 28 161	84	9	1011 32 015	90	25	1175 32 119A	94	5
1029 28 161	86	9	1011 32 016	90	26	1175 32 119A	99	4
1011 28 170	83	7	1011 32 018	90	27	1708 32 120	94	2
1029 28 170	87	10	1011 32 023A	90	28	2113 32 130	94	6
0223 28 181	87	12	1011 32 024	91	30	1011 32 141	94	8
0223 28 182	87	13	1011 32 026A	91	31	0820 32 151	94	9
0259 28 182	84	10	1011 32 027A	91	32	0259 32 154	94	10
1029 28 183A	87	14	1011 32 028	91	33	0259 32 155	94	10
1757 28 183	84	11	1011 32 029A	91	34	0259 32 156	94	10
1029 28 190	87	10	1175 32 030	91	35	0259 32 157	94	10
1011 28 320A	84	12	1011 32 031	91	36	0259 32 160	94	12
1011 28 320A	87	15	1011 32 032	91	37	0259 32 163	95	13
1011 28 320B	84	12	1011 32 033	91	38	0180 32 165A	95	14
1011 28 320B	87	15	1175 32 041	91	39	0180 32 171A	95	15
0223 28 333	87	16	1175 32 042	91	40	0180 32 172A	95	15
0443 28 333	84	13	1175 32 043	91	41	0111 32 173	96	26
1029 28 333	87	16	1175 32 044	91	42	0111 32 173	100	13
0223 28 343	87	17	1011 32 047	91	43	0180 32 173A	95	15
0443 28 343	84	14	1011 32 048	91	44	0180 32 174A	95	15
1029 28 343	87	17	1011 32 049	92	47	0259 32 182	94	7
1010 28 350A	84	15	0208 32 059	89	1	0180 32 184	95	16
1010 28 350A	87	19	0259 32 071	89	2	0208 32 188	95	17
1011 28 353	84	17	1011 32 089	89	5	0208 32 188	99	6
1029 28 390	87	21	1011 32 100	89	3	0820 32 190	95	18
1757 28 390	84	19	1175 32 100	89	3	0437 32 220	95	20
0223 28 775	84	22	3527 32 100B	89	4	0437 32 220	99	7
0223 28 775	87	24	1708 32 107	94	1	1757 32 220	95	20
0259 28 778	84	23	1708 32 107	99	2	1757 32 220	99	7
0259 28 778	87	25	3527 32 110B	99	3	3527 32 220	95	20
3981 31 2155	133	36	3527 32 110B	102- B	1	3527 32 220	99	7
1011 32 011A	90	19	3527 32 110C	99	3	1011 32 227A	96	27
1011 32 012	90	20	3527 32 110C	102- B	1	1011 32 227A	100	14

INDEX.

PARTS NUMBER	PARTS COMP. LIST PAGE	FIG. NO.	PARTS NUMBER	PARTS COMP. LIST PAGE	FIG. NO.	PARTS NUMBER	PARTS COMP. LIST PAGE	FIG. NO.
1708 32 261	95	24	1708 32 320A	99	12	3527 32 743	101	34
1708 32 261	99	11	1708 32 330	96	31	3527 32 745	101	35
1757 32 261A	95	24	1708 32 330	100	18	3527 32 750	102	36
1757 32 261A	99	11	1708 32 330A	96	31	1793 32 800	89	11
0208 32 278	96	29	1708 32 330A	100	18	1727 32 811	89	12
0208 32 278	100	16	0866 32 341	71	14	0187 32 850A	90	13
0208 32 278	109	23	0866 32 341	71	14	0187 32 860	90	15
0730 32 279	95	21	2113 32 356	96	32	0187 32 886B	90	16
0730 32 279	97	41	2113 32 356	100	19	1175 32 980	90	18
0730 32 279	99	8	0305 32 365	96	34	0221 33 035	104	11
0730 32 279	102	39	0305 32 365	100	21	0613 33 041	104	9
0866 32 279	96	30	1757 32 410C	89	7	0662 33 042	104	4
0866 32 279	100	17	1757 32 411	89	9	1011 33 043	104	5
1027 32 279	97	42	1757 32 411A	89	9	0613 33 047	104	8
1027 32 279	102	40	1011 32 414	89	8	0317 33 049	104	3
1175 32 279	95	21	1177 32 417	100	25	0398 33 065	104	10
1175 32 279	97	42	3527 32 430	100	27	0259 33 071	104	1
1175 32 279	99	8	3527 32 430A	100	27	0317 33 075	104	6
1175 32 279	102	40	3527 32 433	100	27	0820 33 091A	104	7
3527 32 279	97	41	2527 32 440	100	26	0820 33 091B	104	7
3527 32 279	102	39	3527 32 440A	100	26	1757 33 091	104	7
0187 32 289	95	22	3527 32 470	100	27	0820 33 165A	77	28
0187 32 289	97	43	3527 32 480	100	27	0820 33 165A	106	33
0187 32 289	99	9	3527 32 600C	101	28	1029 33 165	77	28
0187 32 289	102	41	3527 32 600C	102- E	1	1029 33 165	77	28
1823 32 289	97	43	3527 32 601	101	36	1029 33 165	106	33
1823 32 289	102	41	1177 32 681	101	31	1029 33 165	106	33
1011 32 301A	109	24	3527 32 681	101	31	0305 33 235	105	30
1011 32 301B	109	24	3527 32 681A	101	31	0305 33 251B	104	12
1175 32 301A	109	24	3527 32 687	101	32	1011 33 260	104	14
1011 32 311A	109	24	3527 32 687A	101	32	0305 33 280	105	17
1011 32 311B	109	24	3527 32 687B	101	32	0305 33 610D	105	21
1175 32 311A	109	24	3527 32 740B	101	34	0305 33 626A	105	29
1708 32 320A	95	25	3527 32 740C	101	34	0296 33 636	105	31

INDEX.

PARTS NUMBER	PARTS COMP. LIST PAGE	FIG. NO.	PARTS NUMBER	PARTS COMP. LIST PAGE	FIG. NO.	PARTS NUMBER	PARTS COMP. LIST PAGE	FIG. NO.
0296 33 646	105	31	0866 34 157	110	31	1011 37 191C	78	32
2981 33 651	105	24	0866 34 158	110	33	1011 37 191C	106	36
2981 33 671	105	25	1011 34 159	110	35	1011 37 192	78	33
2981 33 681	105	23	1011 34 159A	110	35	1011 37 192	106	37
2981 33 681A	105	23	1011 34 310B	109		1029 37 790	295	1
0305 33 685	105	22	1011 34 310D	109		1029 37 810	295	2
0305 33 685A	105	22	1011 34 310F	109		1029 39 020	112	1
0233 33 691	105	26	1011 34 311	109	25	1029 39 020A	112	1
0259 33 691	77	15	0866 34 313A	109	29	1175 39 040	112	2
0259 33 691	135	12	1011 34 320B	109		1668 39 040C	112	2
0259 33 693	77	16	1011 34 320D	109		1668 39 045A	112	3
0259 33 693	135	13	1011 34 320F	109		1029 39 060	112	4
0600 33 693	105	27	1757 34 340	108	7	3565 39 060	112	4
0305 33 695	105	19	1011 34 380B	108	5	1011 39 340A	112	7
0305 33 696	105	18	1011 34 384	108	6	1027 39 380B	112	9
0221 33 698	104	15	0866 34 460	109	26	3565 39 380	112	9
0305 33 698A	105	20	0187 34 536	109	22	1013 39 382	112	10
0305 33 699	105	32	0866 34 565	109	21	0884 39 383A	112	11
0305 33 710D	105	21	0187 34 665	155- 1	32	0884 39 384	112	12
0305 33 980D	104	16	0187 34 666	155- 1	32	0884 39 385A	112	13
0305 33 980E	104	16	0259 34 719A	108	18	0884 39 386	112	14
0305 33 990D	104	16	0305 34 720	108	16	1791 40 040	114	2
0305 33 990E	104	16	0183 34 731	108	15	1114 40 061	114	4
1757 34 011A	108	9	0866 34 738	108	11	1757 40 081	114	5
1011 34 013	108	4	0866 34 738A	108	11	3565 40 090	115	19
0259 34 015	108	8	0866 34 760	108	14	3565 40 092A	115	20
1011 34 019	108	1	1011 34 800	110	36	1114 40 108B	114	8
1011 34 111A	108	10	1011 34 800A	110	36	1114 40 160	114	9
1011 34 151	110	38	1757 34 910	108	12	0820 40 166	114	10
1004 34 153	110	32	1757 34 910A	108	12	1114 40 170	114	11
1757 34 153	110	32	1011 37 180A	78	31	1114 40 190	114	13
0259 34 155	110	40	1011 37 180A	106	35	2158 40 355	16	21
0820 34 156	110	39	1011 37 191B	78	32	2158 40 355	16- 3	22
1757 34 156	110	39	1011 37 191B	106	36	2158 40 355	114	14

INDEX.

PARTS NUMBER	PARTS COMP. LIST PAGE	FIG. NO.	PARTS NUMBER	PARTS COMP. LIST PAGE	FIG. NO.	PARTS NUMBER	PARTS COMP. LIST PAGE	FIG. NO.
2158 40 355	115- 1	32	1757 40 830	115- 2	36	0305 41 641	130	3
0810 40 356	115	15	1757 40 830A	115- 2	36	0259 41 644	130	4
1757 40 356	115	15	1757 40 830B	115- 2	36	0259 41 644	132	13
0824 40 401	115	16	1757 40 841	115- 2	37	1651 41 650	130	16
0824 40 401	115- 1	23	1757 40 841	115- 2	37	1708 41 660B	130	6
0824 40 401	155- B	2	1757 40 841A	115- 2	37	0559 41 671A	233	42
1791 40 405	115	17	1757 40 841B	115- 2	37	0118 41 681	130	9
1791 40 405A	115	17	1114 40 850B	115- 3	38	0118 41 682	130	10
1791 40 405B	115	17	3565 40 850	115- 3	38	1708 41 690	130	14
1757 40 500	115	18	2835 41 030	132	7	0111 41 692	161	5
1757 40 500B	115	18	0559 41 040C	133	17	0111 41 692	161	12
1773 40 500	115	18	0183 41 043	133	19	2909 41 692	155- B	3
1791 40 500A	115	18	0824 41 051A	133	21	1708 41 695	130	15
1791 40 500B	115	18	0559 41 081A	133	18	1708 41 711	130	12
3565 40 500A	115	18	0824 41 084	132	11	1011 41 920	135	11
3571 40 500C	115	18	0824 41 131	132	8	1881 41 920A	135	11
2090 40 508A	115- 1	30	0305 41 140	132	12	0114 42 046A	118	28
1773 40 550	115- 1	22	0183 41 308	135	1	0114 42 046A	124	27
3565 40 560A	115- 1	25	0183 41 308	145	1	0866 42 046	121- C	34
3571 40 560	115- 1	26	0810 41 308	133	31	1011 42 110	118	27
1757 40 600	115- 1	31	0603 41 331	135	17	1029 42 110	124	26
1757 40 600B	115- 1	31	1011 41 331	135	17	1029 42 110A	124	26
1757 40 600C	115- 1	31	1011 41 341	135	18	1029 42 110B	128- C	34
1757 40 600F	115- 1	31	1881 41 341	135	18	3558 42 110	121- C	32
1757 40 810A	115- 2	33	0603 41 342	135	15	3565 42 110	121- C	32
1757 40 810B	115- 2	33	1011 41 345	136	19	3565 42 126A	121- D	38
1757 40 810B	115- 2	33	0866 41 370	135	2	1011 42 210	118	30
1757 40 810C	115- 2	33	0118 41 375	141	3	1029 42 210A	124	31
1757 40 810F	115- 2	33	0866 41 380	135	4	1029 42 210B	124	31
1114 40 821A	115- 2	35	1011 41 400	135	5	1029 42 210C	124	31
1114 40 821B	115- 2	35	1011 41 400A	135	5	1029 42 210C	128- D	39
1755 40 821	115- 2	35	0839 41 461	135	7	1029 42 210E	128- D	39
1757 40 821	115- 2	35	1708 41 610A	130	1	1175 42 210B	121- D	42
1757 40 821A	115- 2	35	0824 41 619	130	2	3558 42 210	121- D	42

INDEX.

PARTS NUMBER	PARTS COMP. LIST PAGE	FIG. NO.	PARTS NUMBER	PARTS COMP. LIST PAGE	FIG. NO.	PARTS NUMBER	PARTS COMP. LIST PAGE	FIG. NO.
3565 42 210B	121- D	42	1011 42 320B	121- D	47	0866 42 552	126	54
3576 42 210	121- D	42	1029 42 321A	125	43	0866 42 552	128- E	63
1011 42 221	118	31	1029 42 321A	128- E	52	0866 42 561	120	54
1011 42 221A	118	31	1029 42 331	128- G	80	0866 42 561	121- E	65
1011 42 221A	121- D	43	3568 42 350	128- D	39	3558 42 611	121- D	35
1029 42 240	124	32	3629 42 350B	128- D	39	1011 42 612	120	56
1029 42 240B	124	32	0866 42 366	119	44	1011 42 612A	120	56
1029 42 240B	128- D	40	0866 42 366	121- E	57	1029 42 612	126	56
1029 42 241A	124	32	0866 42 366	125	50	1029 42 612	128- F	65
1029 42 241B	124	32	0866 42 366	128- E	59	1029 42 613A	126	57
1029 42 242	124	33	0187 42 371	119	46	1029 42 613A	128- F	67
1029 42 242	128- H	108	0187 42 371	121- E	59	1029 42 620	126	61
1011 42 250	118	33	1004 42 410A	119	47	1029 42 620A	126	61
1011 42 250	121- D	45	1004 42 410A	121- E	60	1029 42 620A	128- F	72
1011 42 250	125	34	1011 42 410A	119	47	1114 42 710A	120	60
1011 42 250	128- D	42	1011 42 410A	121- E	60	1114 42 710A	121- F	69
1624 42 280	124	28	0621 42 455	333	11	1114 42 710A	126	63
1624 42 280	128- D	37	2280 42 462A	119	34	1114 42 710A	128- F	75
0899 42 302	128- D	45	2280 42 462A	125	35	2691 42 710A	120	60
1029 42 302	125	37	2280 42 462B	119	34	2691 42 710A	126	63
1029 42 302	128- D	45	2280 42 462B	121- D	46	1011 42 711	120	61
1029 42 304A	125	38	2280 42 462B	125	35	1011 42 711	121- F	70
1029 42 304A	128- D	46	2280 42 462B	128- D	43	2691 42 716	120	62
0585 42 305	125	39	0866 42 521	119	49	2691 42 716	126	64
0585 42 305	128- E	47	0866 42 544	119	50	2691 42 750	120	63
0585 42 306	125	40	0866 42 544	121- E	62	2691 42 750	121- F	71
0585 42 306	128- E	48	0866 42 544	126	52	2694 42 750	126	65
0585 42 308	125	40	0866 42 544	128- E	61	2694 42 750	128- F	76
0585 42 308	128- E	49	0866 42 551	120	51	1011 42 901	121	68
1029 42 313A	125	41	0866 42 551	121- E	63	0223 43 022	132	6
1029 42 313A	128- E	50	0866 42 551	126	53	0223 43 022	133	24
1029 42 314A	125	42	0866 42 551	128- E	62	0259 43 028	133	20
1029 42 314A	128- E	51	0866 42 552	120	52	0259 43 028	133	34
1011 42 320	119	35	0866 42 552	121- E	64	1015 43 028	133	34

INDEX.

PARTS NUMBER	PARTS COMP. LIST PAGE	FIG. NO.	PARTS NUMBER	PARTS COMP. LIST PAGE	FIG. NO.	PARTS NUMBER	PARTS COMP. LIST PAGE	FIG. NO.
0187 43 029	132	16	0221 43 694	141	13	0603 44 357	121- F	77
0187 43 029	133	30	1570 43 694A	141	14	1011 44 410C	146	19
1707 43 030A	133	25	0233 43 770	142	15	1029 44 410	146	20
1708 43 030B	133	25	0437 43 800	138	10	1029 44 410A	146	20
0187 43 061	132	5	3565 43 800	138	10	0578 44 431	146	21
2301 43 061	133	35	1757 43 810	142	16	1011 44 431	146	22
1011 43 063	133	23	1757 43 820	142	17	0866 44 439	146	23
1011 43 070	132	1	1758 43 820	142	18	1011 44 439	146	25
1011 43 082	133	32	1757 43 830A	142	19	0305 44 471	146	27
1015 43 090	133	37	1011 43 836	142	21	1011 45 110D	121- F	78
1524 43 140	133	28	1011 43 836	142	21	1011 45 111A	121	69
0512 43 422	139	22	1744 43 836	142	20	1011 45 111B	121	69
0595 43 422	139	23	2192 43 836	142	21	1011 45 111C	121	69
1708 43 422	139	22	2192 43 836	142	21	1011 45 111D	121	69
1708 43 423	139	23	1757 43 848	142	23	1029 45 111A	127	73
0111 43 432	135	8	2835 43 848	142	25	1029 45 111A	128- G	84
0839 43 550	138	1	2229 43 890A	142	27	1029 45 111B	127	73
0839 43 550A	138	1	1708 43 951A	102	45	1029 45 111B	128- G	84
0839 43 570	138	3	1708 43 951A	139	19	1011 45 112	121	69
1708 43 580	138	5	1708 43 990A	139	21	1011 45 112A	121	69
1114 43 605C	141	4	1708 43 990B	139	21	1011 45 112A	121- F	80
1114 43 608B	141	5	0866 44 010	145	2	1011 45 121	121	80
1114 43 609A	141	6	0813 44 031	145	3	1011 45 121A	121	80
0136 43 635	136	21	0303 44 032	145	4	1011 45 121A	121- F	81
0136 43 635	141	9	0221 44 033	145	5	1029 45 121	127	74
0305 43 635	141	10	0813 44 034	145	6	1011 45 125	121	81
1011 43 650	141	11	0813 44 035	145	7	1011 45 125	121- F	83
1029 43 650	141	11	0221 44 044	145	8	1011 45 126	121	82
1029 43 650A	141	11	2958 44 045	233	43	1011 45 126	121- G	84
1114 43 660A	141	12	0866 44 051	145	9	1029 45 130	126	61
1791 43 660A	141	12	0303 44 053	145	10	1029 45 130	128- F	73
1791 43 660B	141	12	0866 44 150A	145	15	1029 45 141	126	57
1791 43 660C	141	12	0866 44 187A	145	17	1029 45 141	128- F	68
0221 43 694	136	22	0866 44 189	146	18	1029 45 142	126	56

INDEX.

PARTS NUMBER	PARTS CCMP. LIST PAGE	FIG. NO.	PARTS NUMBER	PARTS COMP. LIST PAGE	FIG. NO.	PARTS NUMBER	PARTS COMP. LIST PAGE	FIG. NO.
1029 45 142	128- F	66	1650 45 921	121- G	91	3527 49 189	102- B	19
1029 45 143	127	74	1650 45 921	127	81	3527 49 190	102- C	20
1029 45 143A	127	74	1650 45 921	128- G	92	3527 49 210	102- B	3
1029 45 143A	128- G	86	0578 45 995	143	36	3527 49 220	102- B	9
1708 45 250A	142	29	1015 46 010A	146- B	1	0841 49 230	105	28
1708 45 280D	142	30	1840 46 021	146- B	2	0841 49 230A	105	28
1708 45 280E	142	30	1840 46 022	146- B	3	3527 49 230	102- B	10
1708 45 280G	142	30	1736 46 030	146- B	4	3527 49 240	102- B	11
1708 45 320	142	31	2375 46 051A	146- B	5	3527 49 250	102- B	12
1708 45 350	142	32	2375 46 052	146- B	6	3527 49 260	102- B	13
1706 45 360B	142	33	2375 46 053	146- B	7	3527 49 270	102- B	15
1708 45 360C	142	33	2375 46 054	146- B	8	3527 49 280	102- B	6
1708 45 360D	142	33	2375 46 055	146- B	9	3527 49 310	102- B	14
1708 45 510A	136	24	2375 46 056A	146- B	10	3527 49 320	102- B	16
1708 45 510E	136	24	0308 46 057A	146- B	11	3527 49 330	102- B	17
1011 45 611	121	70	2375 46 061	146- B	14	3527 49 340	102- B	18
1011 45 611A	121	70	2375 46 062	146- B	15	1708 49 610	139	24
1011 45 611A	121- G	86	1015 46 081	146- B	17	3527 49 610	102- E	2
1029 45 611	127	76	1015 46 082	146- B	18	3527 49 620	102- E	3
1029 45 611	128- G	87	1015 46 083A	146- C	19	1708 49 630	139	25
1011 45 711A	121	71	1015 46 085	146- C	20	3527 49 630	102- E	4
1011 45 711A	121- G	87	1015 46 110	146- C	21	0305 49 638	139	27
1029 45 711	127	79	1015 46 150A	146- C	23	3527 49 640	102- E	5
1029 45 711	128- G	90	1015 46 571A	146- C	28	1708 49 642	139	26
0866 45 806A	121	72	1015 46 648	146- C	29	3527 49 650	102- E	6
0866 45 806A	121- G	88	0187 46 683	132	10	0512 49 651	139	29
0419 45 901	121- G	89	1015 46 684	146- C	30	0305 49 656	139	28
0866 45 903A	68- D	39	1015 46 691	146- C	35	3527 49 660	102- E	7
0866 45 903A	121	73	0604 46 785	132	15	3527 49 671	102- E	8
0866 45 903A	121- G	90	3527 49 120	102- B	2	3527 49 672	102- E	9
0866 45 903A	127	80	3527 49 140	102- B	4	3527 49 673	102- E	10
0866 45 903A	128- G	91	3527 49 160	102- B	5	3527 49 674	102- E	11
0866 45 903A	143	34	3527 49 170	102- B	7	3527 49 675	102- E	12
1650 45 921	121	74	3527 49 180	102- B	8	3527 49 676	102- E	13

INDEX.

PARTS NUMBER	PARTS COMP. LIST PAGE	FIG. NO.	PARTS NUMBER	PARTS COMP. LIST PAGE	FIG. NO.	PARTS NUMBER	PARTS COMP. LIST PAGE	FIG. NO.
3527 49 677	102- E	14	1755 50 050C	152	8	3570 50 191	155- G	92
3527 49 678	102- E	15	1756 50 050	152	8	1755 50 221B	154	22
3527 49 679	102- E	16	1755 50 055	152	6	1757 50 221	148	7
3527 49 681	102- E	17	1755 50 060B	152	9	1791 50 221A	154	22
0512 49 682	139	30	1755 50 060C	152	9	3565 50 221A	155- C	26
0512 49 682A	139	30	1756 50 060	152	9	3571 50 221B	155- C	27
3527 49 682	102- E	18	1755 50 071A	152	10	1011 50 230	148	8
0512 49 686	139	31	3565 50 071A	155- B	9	1755 50 230B	154	23
2835 49 720	138	12	3565 50 072	155- B	10	1755 50 230D	154	23
3565 49 720	138	12	1755 50 080A	153	11	1791 50 230B	154	23
0824 49 745	138	13	3565 50 080A	155- B	11	3565 50 230B	155- D	32
2046 49 746	138	14	1011 50 081A	148	4	3571 50 230C	155- D	33
2046 45 747	138	15	1011 50 091A	148	5	1011 50 240	148	9
0870 49 770	139	16	1755 50 091	153	12	1755 50 250A	154	24
0824 49 781	139	17	1756 50 091	153	12	1756 50 250	155	24
0824 49 782	139	18	1756 50 091	155- B	12	1791 50 250A	155	24
3527 49 929	102- C	21	1755 50 100A	153	13	1791 50 250C	155	24
1011 50 012B	150	38	1755 50 100B	153	13	1755 50 260A	155	25
3565 50 015	155- B	4	1756 50 100A	153	13	1756 50 260	155	25
1755 50 025	152	1	3565 50 100	155- B	13	1791 50 260A	155	25
1755 50 026	152	2	3571 50 100A	155- B	14	1791 50 260C	155	25
1757 50 030	148	1	1755 50 110A	153	14	1757 50 270	148	10
3565 50 031A	155- B	5	1756 50 110	153	14	1755 50 271A	155	26
1755 50 036	152	3	3565 50 110A	155- B	15	0223 50 275	155	27
1755 50 037	152	4	1755 50 130A	153	14	0223 50 275	155- D	34
1755 50 037	152	4	1756 50 130	153	14	0223 50 275	155- D	34
1755 50 038	152	4	3565 50 130A	155- B	16	1756 50 281	155- D	35
1755 50 038	152	4	1755 50 150A 00	153	16	1011 50 291B	150	40
1011 50 040C	148	2	1755 50 150B 00	153	16	1907 50 291	150	44
1755 50 040B	152	5	3565 50 170C	155- B	18	1907 50 291	155- D	36
1756 50 040	152	5	1755 50 180A	154	20	1907 50 291	155- 1	32
3565 50 040C	155- B	8	3565 50 180C	155- B	19	1907 50 292	150	45
1011 50 050C	148	3	1756 50 190	153	16	1907 50 292	155- D	37
1755 50 050B	152	8	3565 50 190	155- B	17	1907 50 292	155- 1	32

INDEX.

PARTS NUMBER	PARTS COMP. LIST PAGE	FIG. NO.	PARTS NUMBER	PARTS COMP. LIST PAGE	FIG. NO.	PARTS NUMBER	PARTS COMP. LIST PAGE	FIG. NO.
1756 50 300	155- 1	28	1029 50 512A	176	3	1755 50 543	178	41
3565 50 300A	155- D	39	1029 50 514A	176	4	1755 50 545	170	38
1755 50 301	155- 1	28	1004 50 515	172	2	1755 50 545	173	32
3571 50 301	155- D	40	1011 50 515	169	1	1755 50 545	174	54
3565 50 340	155- D	41	1029 50 515	176	5	1755 50 545	178	42
1755 50 350 00	155- 1	30	1004 50 516	172	3	1755 50 546	170	39
1756 50 350A 00	155- 1	30	1011 50 516	169	2	1029 50 580	176	15
1791 50 350 00	155- 1	30	1029 50 516	176	6	1029 50 580A	176	15
1791 50 350A 00	155- 1	30	1029 50 517	176	7	1029 50 580B	176	15
3561 50 350B	155- D	42	1029 50 518	176	8	1029 50 580C	176	15
3565 50 350B	155- D	42	1004 50 521	172	4	1029 50 590	176	16
3571 50 351A	155- D	43	1004 50 521	176	9	1029 50 590A	176	16
3565 50 360A	155- D	44	1004 50 525	172	5	1029 50 590B	176	16
3565 50 363A	155- D	45	1004 50 525	176	10	1029 50 590C	176	16
3571 50 363	155- D	46	1004 50 531	172	6	1011 50 606	314	10
3565 50 365A	155- D	47	1029 50 531A	176	11	1004 50 627	327	27
3571 50 370	155- D	48	1029 50 532	176	12	1755 50 661	174	51
3565 50 380B	155- E	49	1004 50 535	172	7	1755 50 671	174	52
3571 50 380	155- E	50	1029 50 535A	176	13	1755 50 681	174	53
3565 50 381	155- E	49	1029 50 536	176	14	1004 50 690A	172	8
3565 50 390C	155- E	51	0305 50 541	148	12	1011 50 690A	169	3
1004 50 443	172	1	0305 50 541	155- F	70	1011 50 701	148	14
1004 50 443	176	1	0305 50 541	155- 1	33	1011 50 701	155- F	72
1755 50 460	173	30	1755 50 541	170	35	1011 50 701	155- 2	35
1755 50 460	177	40	1755 50 541	173	29	1011 50 705	148	15
1755 50 470	173	31	1755 50 541	177	39	1011 50 705	155- F	73
1755 50 470	178	41	1755 50 542	170	36	1011 50 705	155- 2	36
1755 50 480	174	51	1755 50 542	173	30	1011 50 7118 02	148	16
0866 50 501	126	67	1755 50 542	177	40	1011 50 7118 02	155- 2	37
0866 50 501	128- F	78	0305 50 543	148	13	1011 50 7118 03	148	16
0866 50 501	149	21	0305 50 543	155- F	71	1011 50 7118 03	155- 2	37
0866 50 501	155- F	78	0305 50 543	155- 2	34	1011 50 7118 04	155- F	74
0866 50 501	155- 2	41	1755 50 543	170	37	1011 50 7218	148	17
1029 50 511A	176	2	1755 50 543	173	31	1011 50 7218	155- F	75

INDEX.

PARTS NUMBER	PARTS COMP. LIST PAGE	FIG. NO.	PARTS NUMBER	PARTS COMP. LIST PAGE	FIG. NO.	PARTS NUMBER	PARTS COMP. LIST PAGE	FIG. NO.
1011 50 721B	155- 2	38	1004 51 151A	161	15	3565 51 254	161	8
1011 50 730	148	18	1011 51 151	162	25	1029 51 273	167	19
1708 50 791	314	1	1011 51 152	162	26	1004 51 310	293	21
1004 50 845	314	5	1725 51 153	162	16	1011 51 310A	292	6
1011 50 845	314	3	1004 51 155	162	17	1004 51 311	293	22
1004 50 846	314	6	1004 51 158A	162	18	1011 51 313	292	7
1004 50 850A	314	4	1004 51 159A	162	19	1175 51 431	278	4
1011 50 850B	314	8	1004 51 161A	162	15	1175 51 440	280	25
1029 50 850	314	11	1029 51 161A	166	5	1755 51 551	163	41
1029 50 890	274	1	1029 51 163	166	6	1755 51 551	167	22
1029 50 892	274	2	1029 51 164	166	7	1757 51 551	163	41
1029 50 893	274	3	1004 51 165	162	17	1755 51 561	163	41
1029 50 894	274	4	1004 51 168A	162	18	1755 51 561	167	22
3565 50 910	155- B	6	1004 51 169A	162	19	1757 51 561	164	41
3565 50 920	155- B	7	1029 51 171A	166	5	1029 51 580	166	1
3565 50 930	155- C	28	1029 51 173	166	6	1757 51 580	161	1
3571 50 930	155- C	29	1011 51 174A	162	27	1029 51 590	166	1
3565 50 940	155- C	30	1029 51 174	166	7	1727 51 721	314	14
3571 50 940	155- C	31	1791 51 181	166	12	1727 51 731	213	1
1011 51 031A	157	1	1791 51 181A	166	12	1730 51 741	314	15
1011 51 041A	157	1	1029 51 183	167	13	1727 51 761	315	16
1755 51 061	158	12	1029 51 184	167	14	1029 51 769	316	41
1755 51 061	158	18	1029 51 184A	167	14	1011 51 772A	315	18
1755 51 063	158	13	1791 51 191	167	12	1730 51 775	315	19
1755 51 063	158	19	1791 51 191A	167	12	1793 51 775	315	19
1755 51 071	158	12	1029 51 193	167	13	1011 51 781	315	20
1755 51 071	158	18	1029 51 194	167	14	1029 51 789	315	21
1755 51 073	158	13	1029 51 194A	167	14	1004 51 901A	315	22
1755 51 073	158	19	3565 51 241	161	10	1029 51 901	316	32
1011 51 081	158	22	3565 51 242	161	13	1029 51 901C	316	32
1757 51 121	159	24	3565 51 244	161	8	1004 51 902	315	23
1757 51 131	159	24	3565 51 246	161	9	1029 51 902	316	33
1029 51 141A	167	17	3565 51 251	161	10	1004 51 911A	315	24
1029 51 141B	167	17	3565 51 252	161	13	1793 51 911	316	29

INDEX.

PARTS NUMBER	PARTS COMP. LIST PAGE	FIG. NO.	PARTS NUMBER	PARTS COMP. LIST PAGE	FIG. NO.	PARTS NUMBER	PARTS COMP. LIST PAGE	FIG. NO.
1004 51 920	315	26	1011 52 310B	180	3	1755 52 910H	184	6
1011 51 921	316	30	1011 52 310C	180	3	1755 52 910H	184	6
1004 51 925	315	27	1011 52 310E	180	3	1755 52 910I	184	6
1004 51 925	316	35	1011 52 310F	180	3	1755 52 910I	184	6
1029 51 930	316	36	0866 52 397A	180	4	1755 52 910I	184	6
1004 51 951A	315	22	1011 52 410	180	5	1757 52 910	184	6
1011 51 951	316	30	0866 52 451	180	9	1791 52 910	184	6
1029 51 951A	316	32	1011 52 460	180	6	1011 52 941	185	26
1029 51 951C	316	32	1757 52 510	180	13	1011 52 941A	185	26
1004 51 952	315	23	1004 52 610A	181	25	1011 52 946	185	27
1004 51 961A	315	24	1011 52 610	181	25	1011 52 946A	185	27
1004 51 970	315	26	0866 52 631	181	26	1011 52 951	149	28
1004 51 975	315	27	1004 52 710A	181	27	1011 52 951	155- F	80
1004 51 975	316	35	1011 52 710A	181	27	1011 52 951	155- 2	43
1029 51 980	316	36	1757 52 710	149	25	1755 52 951	155- G	90
1727 52 110	184	1	1004 52 720	181	28	3565 52 951A	155- G	90
1755 52 110	184	1	1011 52 720	181	28	1011 52 952	149	29
1755 52 110A	184	1	1757 52 750	149	26	1011 52 952	155- F	81
1755 52 110A	184	1	1004 52 761A	182	32	1011 52 952	155- 2	44
1755 52 110A	184	1	1011 52 761	182	32	1755 52 956	155- G	91
1791 52 110	184	1	1004 52 771A	182	33	3565 52 956A	155- G	91
1011 52 141	184	5	1011 52 771	182	33	1011 52 970A	150	41
1727 52 210	184	2	0305 52 802	333	12	1011 52 980A	150	42
1755 52 210	184	2	1755 52 810	155- 2	46	1011 53 100	184	8
1755 52 210A	184	2	1791 52 810	155- G	83	1011 53 100B	184	8
1755 52 210A	184	2	1791 52 810	155- 3	49	1011 53 100C	184	8
1755 52 210A	184	2	1755 52 840	155- 2	46	0187 53 134	216	54
1791 52 210	184	2	1755 52 860A	155- 3	51	1011 53 162	196	1
0259 52 301	169	4	1755 52 860C	155- G	85	1011 53 162	199	1
0259 52 301	172	9	1755 52 860C	155- 3	51	1011 53 210C	184	9
0259 52 301	176	17	3565 52 860A	155- G	85	1011 53 210D	184	9
0259 52 301	180	1	0305 52 863	180	16	1011 53 210F	184	9
0259 52 301	283- 1	49	0305 52 863A	180	16	1011 53 210G	184	9
0223 52 302	180	2	1755 52 910D	184	6	1011 53 210H	184	9

INDEX.

PARTS NUMBER	PARTS COMP. LIST PAGE	FIG. NO.	PARTS NUMBER	PARTS COMP. LIST PAGE	FIG. NO.	PARTS NUMBER	PARTS COMP. LIST PAGE	FIG. NO.
1011 53 260B	67	25	2981 54 222	67	27	1734 55 220C 07	203	5
1011 53 281A	184	11	1011 54 281A	184	12	1734 55 220D	203	5
1011 53 300C	196	2	0200 54 291	127	85	1734 55 220D 06	203	5
1011 53 300C	199	2	0200 54 291	128- H	97	1734 55 220D 07	203	5
1011 53 300D	196	2	2113 54 295	67	27	1010 55 231A	203	10
1011 53 300D	199	2	1011 54 300C	196	3	1011 55 240	203	12
1011 53 300E	196	2	1011 54 300C	199	3	1011 55 240	207	50
1011 53 300E	199	2	1011 54 300D	196	3	1708 55 250	204	14
1011 53 391C	196	4	1011 54 300D	199	3	0259 55 261	211	2
1011 53 391C	199	4	1011 54 300E	196	3	1708 55 270A	204	16
1708 53 400C	184	13	1011 54 300E	199	3	1708 55 270B	204	16
1708 53 400D	184	13	1011 54 391C	196	5	1011 55 280	204	19
1708 53 400E	184	13	1011 54 391C	199	5	1707 55 410 05	211	12
1708 53 510A	184	14	1029 54 770C	199	9	1707 55 410 06	211	12
1708 53 510B	184	14	1029 54 810B	199	11	1707 55 410 07	211	12
1708 53 510C	184	14	1029 54 810C	199	11	1708 55 410 05	211	12
1029 53 600A	196	6	1029 54 810D	199	11	1708 55 410 06	211	12
1029 53 600A	199	6	1011 54 950D	196	9	1708 55 410 07	211	12
1029 53 600B	196	6	1011 54 950D	199	14	1757 55 430C	211	1
1029 53 600B	199	6	1011 54 950E	196	9	1758 55 430B	211	1
1029 53 700A	199	7	1011 54 950E	199	14	3565 55 430A	211	1
1029 53 700B	199	7	1011 55 211	203	1	3567 55 430A	211	1
1114 53 700B	196	7	1011 55 212A	203	2	1707 55 442	211	3
1114 53 700C	196	7	1011 55 212B	203	2	1708 55 442A	211	3
0305 53 708	184	15	1011 55 213	203	4	1708 55 443A	211	4
1029 53 712B	199	8	0866 55 218	213	2	1708 55 443B	211	4
1029 53 770C	199	7	1708 55 220C	203	5	3565 55 443	211	4
0111 53 771	182	34	1708 55 220C 06	203	5	1708 55 461A	211	5
1029 53 810A	199	10	1708 55 220C 07	203	5	1708 55 461A	211	5
1029 53 880A	199	12	1708 55 220D	203	5	1758 55 461	211	5
1011 53 950D	196	8	1708 55 220D 06	203	5	1708 55 465	211	5
1011 53 950D	199	13	1708 55 220D 07	203	5	1739 55 471A	211	6
1011 54 210C	184	10	1734 55 220C	203	5	1011 55 490C	204	21
1011 54 210E	184	10	1734 55 220C 06	203	5	1708 55 491A	211	7

INDEX.

PARTS NUMBER	PARTS COMP. LIST PAGE	FIG. NO.	PARTS NUMBER	PARTS COMP. LIST PAGE	FIG. NO.	PARTS NUMBER	PARTS COMP. LIST PAGE	FIG. NO.
1708 55 511A	211	8	1011 56 261A	185	30	1011 56 785	181	22
0187 55 554	121- G	95	1011 56 271	185	31	1011 56 786	181	23
1011 55 660A	204	22	1011 56 271A	185	31	1011 56 786A	181	23
1708 55 711A	211	9	1029 56 311B	128	89	1011 56 791	185	22
0820 55 951 00	204	23	1029 56 311B	128- H	101	1011 56 805	182	35
1015 56 030	67	29	1029 56 315	128	91	1011 56 820A	182	36
1011 56 051	196	10	1029 56 315	128- H	103	1011 56 880	182	38
1011 56 051	199	15	1011 56 320	121	85	0585 56 902	200	30
1029 56 061C	199	16	1011 56 320A	121- G	96	0820 56 905	38	60
1029 56 071A	199	17	0866 56 405	316	38	0820 56 905	38	60
1011 56 111B	196	11	1029 56 410C	196	14	0820 56 905	206	43
1011 56 111B	200	19	1029 56 410C	200	23	0820 56 905	262	39
1011 56 111C	196	11	1029 56 410D	196	14	0866 56 971	197	22
1011 56 111C	200	19	1029 56 410D	200	23	0866 56 971	200	32
3565 56 111	196	11	1029 56 410E	196	14	1004 56 991	182	39
3565 56 111	200	19	1029 56 410E	200	23	1011 56 991	182	39
0136 56 112	275	31	1029 56 410F	196	14	0760 57 006	233	44
1013 56 131	184	16	1029 56 410F	200	23	0305 57 011	222	21
1755 56 131	184	16	1029 56 431	196	16	0305 57 011	227	20
1755 56 131	185	16	1029 56 431	200	25	0305 57 011	231	20
1013 56 141	185	17	1011 56 460D	196	17	0317 57 015	155- E	52
1755 56 141	185	17	1029 56 461A	200	26	0317 57 015	222	26
1755 56 141	185	17	1029 56 471A	200	27	0317 57 015	228	29
1011 56 171	295	3	1011 56 480D	196	18	0371 57 015	233	45
1029 56 171	295	3	1011 56 480E	196	18	1011 57 021	223	36
1029 56 171A	295	3	1114 56 490A	196	19	1011 57 021	228	39
1011 56 210	295	5	1137 56 541B	200	28	1029 57 021	233	46
1029 56 210	295	6	0208 56 615	216	55	1011 57 022	222	21
0243 56 231	67	30	1708 56 620	180	15	1011 57 022	227	20
0118 56 241	196	13	1708 56 620A	180	15	1011 57 022	231	20
0118 56 241	200	21	0810 56 639	197	21	1029 57 022	233	47
1791 56 241	200	34	1011 56 672A	180	17	0710 57 025	307	45
0118 56 242B	200	22	1708 56 710A	181	19	1029 57 026	233	48
1011 56 261	185	30	1011 56 751B	185	20	1029 57 040	234	54

INDEX.

PARTS NUMBER	PARTS COMP. LIST PAGE	FIG. NO.	PARTS NUMBER	PARTS COMP. LIST PAGE	FIG. NO.	PARTS NUMBER	PARTS COMP. LIST PAGE	FIG. NO.
1791 57 050 70	234	55	1755 57 350A	230		1008 57 993C	234	64
1791 57 050 71	234	55	1757 57 350A	220		1008 57 993D	223	31
1029 57 054 35	234	56	1755 57 400	227	24	1008 57 993D	228	34
1791 57 055 70	234	57	1755 57 400	232	24	1008 57 993D	234	64
1791 57 055 71	234	57	1756 57 400	227	24	1008 57 994C	223	31
1755 57 100B	225		1757 57 400	222	22	1008 57 994C	228	34
1755 57 100B	230		1757 57 400A	222	22	1008 57 994C	235	64
1757 57 100C	220		1755 57 450	228	26	1008 57 994D	223	31
2155 57 109	221	15	1757 57 450	222	24	1008 57 994D	228	34
2155 57 109	227	18	1791 57 450	232	26	1008 57 994D	235	64
2155 57 109	231	18	3561 57 450	228	26	1757 57 999A	223	32
0111 57 111	149	31	1757 57 900B	222	27	1757 57 999A	228	35
0111 57 111	155- E	53	1757 57 900D	222	27	1757 57 999A	235	65
0111 57 111	155- G	89	1757 57 900E	222	27	1755 58 010A	241	1
0111 57 111	155- 3	53	1881 57 900A	228	30	1755 58 010D	241	1
0111 57 111	155- 3	54	1881 57 900A	234	60	1757 58 010A	237	1
1755 57 150B	225		1881 57 900C	228	30	1791 58 010	241	1
1755 57 150B	230		1881 57 900C	234	60	1755 58 020	241	1
1757 57 150B	220		1881 57 900D	228	30	1755 58 020B	241	1
1755 57 200A	227	24	1881 57 900D 00	234	60	1757 58 020	237	1
1755 57 200A	232	24	1011 57 904	222	28	1011 58 210	245	1
1755 57 200C	227	24	1011 57 904	228	31	1011 58 231	245	4
1755 57 200C	232	24	1011 57 904	234	61	1011 58 231	329	1
1756 57 200	227	24	1755 57 940	222	29	0866 58 240C	245	6
1757 57 200	222	22	1755 57 940	228	32	0866 58 240D	245	6
1757 57 200A	222	22	1755 57 940	234	62	1011 58 240B	245	6
1755 57 250A	227	26	1755 57 960	223	29	1011 58 240C	245	6
1757 57 250A	222	24	1755 57 960	228	32	0866 58 281B	245	7
1791 57 250B	232	26	1755 57 960	234	62	0866 58 281B	330	15
3561 57 250	227	26	1011 57 992A	223	30	0866 58 281C	245	7
1755 57 300A	225		1011 57 992A	228	33	0866 58 281C	330	15
1755 57 300A	230		1011 57 992A	234	63	0866 58 282A	245	8
1757 57 300B	220		1008 57 993C	223	31	0866 58 282A	330	16
1755 57 350A	225		1008 57 993C	228	34	0866 58 282B	245	8

INDEX.

PARTS NUMBER	PARTS COMP. LIST PAGE	FIG. NO.	PARTS NUMBER	PARTS COMP. LIST PAGE	FIG. NO.	PARTS NUMBER	PARTS COMP. LIST PAGE	FIG. NO.
0869 58 282B	330	16	0824 58 370B	322	23	0223 58 721	330	19
0866 58 291A	245	9	0824 58 370B	331	37	0187 58 731	245	3
0866 58 291A	330	17	1540 58 371	247	29	0187 58 731	245	13
0866 58 291E	245	9	1540 58 371	329	8	0187 58 731	330	20
0866 58 291B	330	17	0223 58 375A	247	30	1755 58 751	243	23
0866 58 292A	245	10	0223 58 375A	322	24	0398 58 755 00	241	9
0866 58 292B	245	10	0223 58 375A	331	36	1004 58 760	241	10
1011 58 292	245	10	0305 58 411A	246	21	1011 58 760A	237	9
0866 58 293	245	11	0305 58 411A	331	31	1757 58 771	238	11
0866 58 293	330	18	1727 58 420	247	32	1011 58 780B	238	13
1011 58 303A	246	14	0317 58 480A	333	10	1004 58 811B	241	11
1011 58 303A	329	2	0839 58 492A	333	1	1011 58 811B	238	15
0259 58 305A	246	16	1011 58 500	237	2	1004 58 821A	242	16
0259 58 305B	246	16	1011 58 500B	237	2	1011 58 821A	239	22
0259 58 306	246	17	1757 58 500	237	2	1755 58 821	242	16
0305 58 309	246	18	1004 58 501C	241	2	1757 58 821	239	22
0305 58 309	329	4	0796 58 502A	325	2	0866 58 842A	172	10
1004 58 310C	246	19	1004 58 505	241	3	0866 58 842A	176	18
1011 58 310D	246	19	0824 58 546A	274	15	0259 58 906	248	39
1743 58 310A	246	19	1011 58 552	246	16	0259 58 906	325	3
1744 58 310A	246	19	1011 58 552	331	35	1011 58 910	238	17
0305 58 314B	274	12	1004 58 560	247	35	1011 58 910	320	1
0398 58 319A	246	20	1011 58 560C	247	34	0208 58 921	238	19
0398 58 319A	330	25	1011 58 601	237	3	0208 58 921	242	13
0398 58 319A	331	30	1011 58 602	237	4	0208 58 921	242	13
1011 58 321	246	24	1004 58 603	241	4	0208 58 921	320	3
1011 58 321	329	5	1004 58 604	241	5	0208 58 921	325	4
1011 58 321A	246	24	1004 58 605	241	6	0208 58 921	325	4
1011 58 321A	329	5	1011 58 606	237	7	0187 58 922	238	20
1004 58 331A	247	26	1004 58 620	241	7	0187 58 922	242	14
1011 58 331B	247	26	0259 58 662	333	13	0187 58 922	320	4
0866 58 361C	247	27	0223 58 721	245	2	0187 58 922	325	5
0866 58 361C	329	7	0223 58 721	245	12	0187 58 922	325	5
0824 58 370B	247	28	0223 58 721	329	12	0197 58 922	242	14

INDEX.

PARTS NUMBER	PARTS COMP. LIST PAGE	FIG. NO.	PARTS NUMBER	PARTS COMP. LIST PAGE	FIG. NO.	PARTS NUMBER	PARTS COMP. LIST PAGE	FIG. NO.
0223 58 961	333	14	1011 59 602	237	4	1708 60 221A 07	205	30
0223 58 962	333	2	1004 59 603	241	4	1708 60 231	205	31
1755 59 010A	241	1	1004 59 604	241	5	1708 60 231 06	205	31
1755 59 010D	241	1	1755 59 751	243	23	1708 60 231 07	205	31
1757 59 010A	237	1	1004 59 760	241	10	1708 60 231B	205	31
1791 59 010	241	1	1011 59 760A	237	9	1708 60 231B 06	205	31
1755 59 020	241	1	1757 59 771	238	11	1708 60 231B 07	205	31
1755 59 020B	241	1	1011 59 780B	238	13	1011 60 241A	204	22
1757 59 020	237	1	1004 59 811B	242	11	0317 60 252	209	72
0866 59 240C	245	6	1011 59 811B	238	15	0317 60 253	209	73
0866 59 240D	245	6	1004 59 821A	242	16	0317 60 254	209	74
1011 59 240B	245	6	1011 59 821A	239	22	0317 60 255	209	75
1011 59 240C	245	6	1755 59 821	242	16	0317 60 256	209	76
1004 59 310C	246	19	1757 59 821	239	22	0317 60 257	209	77
1011 59 310D	246	19	0866 59 842A	172	11	0317 60 258	209	78
1743 59 310A	246	19	0866 59 842A	176	19	0317 60 259	209	79
1744 59 310A	246	19	1757 60 050A	204	25	0317 60 261	209	80
1011 59 321	246	24	1758 60 050	204	25	1011 60 261	205	32
1011 59 321	329	5	3565 60 050	204	25	0317 60 262	209	81
1011 59 321A	246	24	3587 60 050	204	25	0866 60 263	209	82
1011 59 321A	329	5	3589 60 050	204	25	0866 60 264	209	83
1004 59 331A	247	26	0305 60 052A	205	28	0317 60 266	209	84
1011 59 331B	247	26	1757 60 053	205	26	1708 60 350C 00	213	7
0866 59 361C	247	27	1708 60 070	211	13	1710 60 350C 05	213	7
0866 59 361C	329	7	1011 60 081	102	44	1710 60 350C 06	213	7
1727 59 420	247	32	1011 60 081	211	14	1710 60 350C 07	213	7
1011 59 500	237	2	1011 60 120	213	3	1708 60 590A	213	10
1011 59 500B	237	2	1011 60 140	213	4	0305 60 690	278	5
1757 59 500	237	2	1011 60 150	213	5	0305 60 715	206	44
1004 59 501C	241	2	1708 60 210	205	29	1708 60 720 00	213	12
1004 59 505	241	3	1708 60 210 06	205	29	1708 60 720 05	213	12
1004 59 560	247	35	1708 60 210 07	205	29	1708 60 720 06	213	12
1011 59 560C	247	34	1708 60 221A	205	30	1708 60 720 07	213	12
1011 59 601	237	3	1708 60 221A 06	205	30	1011 60 725A	214	17

INDEX.

PARTS NUMBER	PARTS COMP. LIST PAGE	FIG. NO.	PARTS NUMBER	PARTS COMP. LIST PAGE	FIG. NO.	PARTS NUMBER	PARTS COMP. LIST PAGE	FIG. NO.
1011 60 731	214	18	1011 61 152A	205	37	1915 61 450	260	1
1708 60 771 00	214	19	1011 61 155A	205	38	1915 61 450	266	
1710 60 771 05	214	19	1708 61 190A	250	4	1176 61 461	260	4
1011 60 772A	214	22	1708 61 190A	254		1769 61 461	260	4
1708 60 781 00	214	20	1708 61 190B	250	4	1769 61 461A	260	4
1710 60 781 05	214	20	1708 61 190B	254		1767 61 462	260	5
1011 60 782A	214	23	1734 61 190A	264	64	1769 61 462	260	5
1010 60 960	121	76	1734 61 190A	270	1	1769 61 462A	260	5
1010 60 960	121- G	98	1734 61 190B	264	64	1011 61 463A	261	6
1011 60 960	121	76	1734 61 190B	270	1	1734 61 464A	261	7
1011 60 960	121- G	98	1011 61 191A	250	5	1769 61 471	261	8
1029 60 960	127	83	1011 61 191A	264	66	0866 61 472	42	38
1029 60 960	128- G	94	1011 61 191B	250	5	0866 61 472	261	9
1029 60 969	127	83	1011 61 191B	264	66	1769 61 472	261	8
1029 60 969	128- G	95	1011 61 192A	250	6	1011 61 473	261	10
1708 61 031	216	56	1011 61 192B	250	6	0866 61 474	261	12
0301 61 051A	216	51	1011 61 193	250	7	1011 61 474	261	11
0301 61 052A	216	50	1011 61 193A	250	7	1011 61 474	262	27
0301 61 055	216	53	1011 61 211	250	8	1011 61 477	261	12
0301 61 055	264	69	1011 61 212	250	9	1769 61 478	261	13
0884 61 061A	38	67	1011 61 213A	250	10	1769 61 479	261	9
1757 61 090E	250		1011 61 216	250	11	1769 61 480	261	16
1769 61 090E	250		1011 61 220	250	12	1011 61 491A	261	18
1744 61 130C	250	1	1011 61 220B	250	12	1011 61 492	261	19
1744 61 130C	250	1	1011 61 251C	250	13	1769 61 492	261	19
1744 61 130C	253		1011 61 252C	250	14	1011 61 494	185	24
1744 61 130C	253		1767 61 390	260		1011 61 494	261	20
1708 61 140B	250	2	1769 61 390	260		1011 61 495	261	22
1708 61 140B	250	2	1767 61 430	260		1011 61 496	261	23
1708 61 140B	257		1769 61 430	260		1011 61 500A	262	24
1708 61 140B	257		1769 61 440	262		1734 61 520	262	31
1708 61 140B	264	62	1769 61 450	260	1	1734 61 520	270	
1011 61 150	250	3	1769 61 450A	260	1	1734 61 520A	262	31
1011 61 152	205	37	1769 61 450A	268- B		1734 61 520A	270	

INDEX.

PARTS NUMBER	PARTS COMP. LIST PAGE	FIG. NO.	PARTS NUMBER	PARTS COMP. LIST PAGE	FIG. NO.	PARTS NUMBER	PARTS COMP. LIST PAGE	FIG. NO.
1734 61 520B	262	31	1734 61 570	263	52	1741 63 901	172	12
1734 61 520B	270		1011 61 571A	263	54	1741 63 901	176	20
1011 61 526	262	36	1734 61 572	218	4	1754 63 901	169	5
1011 61 527	264	70	1734 61 572	263	56	3571 63 901	176	20
1011 61 528	264	71	1734 61 573	262	38	1011 63 902	169	6
1011 61 529	264	72	1114 61 581	263	50	1011 63 902	172	13
1011 61 535	262	33	1114 61 582A	262	30	1011 63 902	177	21
1011 61 536	262	34	1734 61 595	264	68	0698 63 931A	275	29
1011 61 541	263	45	0305 61 821	262	25	1002 63 931A	172	14
1011 61 542	250	15	0839 61 963D	40	16	1004 63 931A	172	14
1011 61 543	250	16	0839 61 964	40	12	1009 63 931A	169	7
1015 61 545A	263	43	0839 61 965	41	17	1029 63 931C	275	29
1015 61 545B	263	43	0839 61 968	40	14	1157 63 931A	172	14
1622 61 545	263	43	0839 61 968	71	18	1157 63 931B	172	14
1734 61 546	263	44	0698 62 010B	274	6	1175 63 931A	169	7
1734 61 546A	263	44	1029 62 210B	274	7	1175 63 931B	169	7
1769 61 546	263	44	1029 62 210C	274	7	1029 63 932A	275	30
1173 61 547	263	43	1029 62 290B	274	10	1029 63 941A	177	23
1799 61 547	264	67	1029 62 310	274	12	1029 63 942B	177	24
1011 61 548A	263	42	1029 62 310A	274	12	1029 63 951A	177	22
1734 61 548	263	44	1029 62 320	274	14	1029 63 952B	177	25
1011 61 550	263	46	1029 62 361	275	17	1011 64 030B 00	214	25
1769 61 550	263	46	0621 62 640A	275	19	1013 64 030B 05	214	25
1769 61 550A	263	46	0621 62 641	275	20	1013 64 030B 06	214	25
0866 61 552	205	40	0621 62 642	275	20	1013 64 030B 07	214	25
1734 61 560	218	1	0621 62 650	275	21	1011 64 043A	214	26
1734 61 560	263	51	1029 62 761	275	23	1011 64 071C	214	27
1011 61 561A	263	53	1029 62 761A	275	23	1011 64 101	214	28
1734 61 562	218	4	1029 62 811	275	24	1727 64 111	215	29
1734 61 562	263	55	1029 62 815	275	25	1708 64 161	215	30
1734 61 563	262	37	1029 62 821	275	26	1011 64 162A	215	31
1011 61 564	263	41	1029 62 861	275	28	1011 64 181A 00	215	34
1011 61 565	263	41	1029 63 210C	274	8	1011 64 181A 00	276	32
1734 61 570	218	1	1029 63 290B	274	11	1011 64 181A 00	309	1

INDEX.

PARTS NUMBER	PARTS COMP. LIST PAGE	FIG. NO.	PARTS NUMBER	PARTS COMP. LIST PAGE	FIG. NO.	PARTS NUMBER	PARTS COMP. LIST PAGE	FIG. NO.
1011 64 181A 02	276	32	1734 64 380A 07	206	42	1708 64 810B	218- B	1
1011 64 181A 02	309	1	1707 64 390	206	42	1708 64 810C	218- B	1
1011 64 181A 05	276	32	1708 64 410 00	207	49	1011 64 851	218	4
1011 64 181A 05	309	1	1710 64 410A	207	49	1011 64 851A	218- B	4
1013 64 250	207	53	1011 64 441	207	52	1708 64 851	218	4
1708 64 310A 00	206	42	1011 64 465	207	58	1708 64 851A	218- B	4
1710 64 310A	206	42	1011 64 491	208	62	1011 64 852	218- B	7
1734 64 310A 00	206	42	1011 64 492A	208	63	1011 64 861C	218	2
1744 64 310B 00	206	42	1708 64 500 00	208	68	1011 64 861C	263	58
1746 64 310A	206	42	1710 64 500	208	68	1011 64 861D	218- B	2
1746 64 310B	206	42	1708 64 561A	215	35	1708 64 881	215	42
1767 64 310A	206	42	1708 64 570	215	40	1011 64 890A	215	43
1769 64 310A	206	42	1708 64 580	216	48	1052 64 910A	208	68
1769 64 310A 06	206	42	1708 64 620	208	65	1742 64 910	208	69
1769 64 310A 07	206	42	1708 64 620 06	208	65	1757 64 910	208	69
1707 64 320	206	42	1708 64 620 07	208	65	3514 64 910	208	69
1768 64 320	206	42	1011 64 640B 05	208	66	3565 64 951	216	58
1770 64 320	206	42	1011 64 640C 05	208	66	3565 64 960	216	59
1708 64 331	206	45	1011 64 640C 06	208	66	1757 64 970	292	2
1744 64 331A	206	45	1011 64 640C 07	208	66	1668 66 031	157	3
1708 64 332	206	48	1708 64 710A	218	1	1668 66 032	157	2
1707 64 340 00	206	45	1708 64 710B	218- B	1	1708 66 110	208	71
1707 64 340 05	206	45	1708 64 710C	218- B	1	1742 66 110	208	71
1707 64 340 06	206	45	1011 64 752	218- B	7	1011 66 111	209	85
1707 64 340 07	206	45	1011 64 761C	218	2	0866 66 112	158	18
1707 64 340A 00	206	45	1011 64 761C	263	57	1011 66 112	209	86
1707 64 340A 05	206	45	1011 64 761D	218- B	2	0866 66 113	158	19
1707 64 340A 06	206	45	1011 64 761D	218- B	2	1011 66 121	209	87
1707 64 340A 07	206	45	1003 64 770	218	3	1011 66 130	278	10
1708 64 350	207	55	1003 64 770	264	60	0866 66 142	158	18
1708 64 360	207	56	1011 64 770A	218	3	0866 66 143	158	19
1011 64 370	207	57	1011 64 770A	218- B	3	0243 66 152	280	27
1734 64 380A	206	42	1011 64 770A	263	59	0114 66 154	280	26
1734 64 380A 06	206	42	1708 64 810A	218	1	1907 66 210	283- 1	49

INDEX.

PARTS NUMBER	PARTS COMP. LIST PAGE	FIG. NO.	PARTS NUMBER	PARTS COMP. LIST PAGE	FIG. NO.	PARTS NUMBER	PARTS COMP. LIST PAGE	FIG. NO.
1907 66 210	283- 1	49	0820 66 840	146	28	3564 67 010	280	29
3564 66 210	283- 1	49	0317 66 862	289	1	1790 67 020B	280	30
1114 66 250	206	46	1708 66 870	289		1790 67 020B	281	30
2435 66 335	161	8	1710 66 870	289		3523 67 020A	281	30
2435 66 337	161	9	1711 66 870A	289		3564 67 020	281	30
2435 66 338	161	10	1737 66 870	289		1175 67 021	281	30
0866 66 372	163	33	1820 66 871	280	21	3586 67 023	282	35
0866 66 372	163	37	1820 66 872	280	22	1708 67 030E	281	33
1015 66 520A	146- C	26	0437 66 900	289	2	1708 67 030F	281	33
0621 66 550A	293	31	1708 66 900	289	2	3564 67 030	281	33
1011 66 560	292	5	1708 66 900A	289	2	1011 67 031	281	34
1011 66 590A	215	44	1710 66 900	289	2	3564 67 034	282	35
1650 66 620	293	25	1711 66 900	289	3	1757 67 040A	281	35
1650 66 621	293	26	1708 66 903	289	4	3564 67 040	281	35
1650 66 630	293	28	1710 66 903	289	4	3565 67 040A	281	35
0208 66 683	117	4	1737 66 903	289	4	3566 67 040	281	35
0208 66 683	121- G	100	1737 66 903	289	4	3586 67 040	281	35
1175 66 710	333	9	1013 66 913	290	21	1029 67 050D	282	36
1175 66 730	278	6	1013 66 914	290	22	1029 67 050E	282	36
0623 66 731	283	46	1011 66 935A	289	5	1175 67 050A	282	36
1175 66 732	278	7	0866 66 960	289	6	3570 67 050	282	36
0866 66 733	278	8	1011 66 965	290	10	1029 67 060B	282	37
1175 66 740	279	13	0870 66 970A	289	7	1175 67 060	282	37
3564 66 740	279	13	0222 66 971	197	23	3564 67 060	292	37
1175 66 760	279	11	0222 66 971	200	33	1011 67 061	283- 1	49
1907 66 761	279	12	0222 66 971	209	88	1674 67 070A	282	40
1175 66 763	279	12	0222 66 971	327	26	1674 67 070B	282	40
0243 66 773	121	87	0813 66 972	280	27	1790 67 070A	282	41
0243 66 773	121- G	103	1012 66 975	289	8	3564 67 070A	282	41
1011 66 780A	279	14	0813 66 980	280	25	3564 67 071	282	41
0233 66 790	133	33	1010 66 980	290	18	1011 67 080D	283	42
1011 66 790A	279	15	0820 66 992	290	19	1011 67 080E	283	42
0209 66 820	279	17	1114 67 010E	280	29	3564 67 080A	283	42
0209 66 821	279	18	1114 67 01CF	280	29	1011 67 100	283	43

INDEX.

PARTS NUMBER	PARTS COMP. LIST PAGE	FIG. NO.	PARTS NUMBER	PARTS COMP. LIST PAGE	FIG. NO.	PARTS NUMBER	PARTS COMP. LIST PAGE	FIG. NO.
1011 67 100A	283	43	1708 67 321	285	1	1757 67 880	283- 3	65
1029 67 100A	283	44	1757 67 321	285	1	1911 67 880	283	49
1011 67 120C	283	45	1011 67 330A	285	2	1011 67 911	293- 4	3
1720 67 132	283- 3	65	1757 67 330	285	2	1011 67 911	283- 4	3
1003 67 141	283	46	1708 67 340	285	3	1011 67 911	283- 4	3
1011 67 150A	283	47	1757 67 340	285	3	1011 67 912	223	35
0727 67 151	216	47	1708 67 350	285	13	1011 67 912	228	38
0727 67 151	283- 5	5	1757 67 350	285	13	1011 67 912	234	53
0866 67 152	128	93	1011 67 375	287	38	1011 67 912	283- 4	4
0866 67 152	128- H	105	1011 67 510	287	50	1011 67 913	283- 5	8
0866 67 152	158	16	0317 67 511	287	40	1011 67 913	283- 5	8
0866 67 152	158	22	1011 67 511A	287	51	1011 67 915	283- 4	6
0866 67 152	283- 4	2	1011 67 515	287	52	1029 67 916	276	42
0866 67 152	283- 4	2	0866 67 521	287	42	1029 67 916	283- 5	7
0866 67 156	26	35	1755 67 560	283- 1	50	1011 67 921	283- 4	7
0866 67 156	161	12	1757 67 560	283- 1	50	1011 67 922	283- 4	8
1015 67 160A	283	47	1755 67 562	283- 2	53	1011 67 923	283- 5	3
1757 67 170	292	10	1757 67 562	283- 2	53	1011 67 923	283- 5	3
1757 67 170A	292	10	1016 67 620	283	49	1114 67 970	283- 3	66
1757 67 220B	283	48	1755 67 660	283- 2	55	1757 67 990	283- 3	67
1757 67 220C	283	48	1757 67 660	283- 2	55	3564 67 990	283- 3	67
1757 67 230	283	49	1757 67 690	292	4	3565 67 990	283- 3	67
1907 67 230	283- 1	49	1757 67 700	283- 2	57	3586 67 990	283- 3	67
1911 67 230A	283	49	0866 67 718	283- 1	51	0317 68 013A	300	46
1907 67 240	283- 1	49	0866 67 719	283- 2	52	0317 68 018	300	41
1712 67 250	67	32	1757 67 720A	283- 4	69	0419 68 021	309	2
1712 67 250	67	32	1220 67 740	283- 2	57	1011 68 021	305	6
3523 67 250	67	32	1664 67 740	283- 2	58	1011 68 021	306	23
1007 67 260A	67	33	1078 67 800	283- 2	58	1011 68 021	309	3
1011 67 291	68	34	1011 67 820	283- 3	59	1011 68 021A	305	6
1011 67 291A	68	34	1011 67 830A	283- 3	60	1011 68 021A	306	23
1011 67 292	68	35	1907 67 870A	283- 3	62	1011 68 021A	309	3
1220 67 292	68	35	0839 67 880	283- 3	63	1755 68 030	306	22
1011 67 293	68	38	0862 67 880	283- 3	63	1755 68 030 20	306	22

INDEX.

PARTS NUMBER	PARTS COMP. LIST PAGE	FIG. NO.	PARTS NUMBER	PARTS COMP. LIST PAGE	FIG. NO.	PARTS NUMBER	PARTS COMP. LIST PAGE	FIG. NO.
1755 68 030 21	306	22	1005 68 171A 05	309	6	1013 68 310B	305	12
1755 68 030 24	306	22	1005 68 171A 06	306	18	1013 68 310C	305	12
1755 68 030A	306	22	1005 68 171A 07	306	18	1755 68 310	307	34
1755 68 030A 20	306	22	1011 68 171B 00	305	3	1767 68 310	307	34
1755 68 030A 21	306	22	1013 68 171B	305	3	3560 68 310B	307	34
1755 68 030A 24	306	22	0118 68 18CA	295	13	1029 68 320	310	14
1755 68 030B 20	306	22	1004 68 191A 00	306	19	1029 68 320A	310	14
1755 68 030B 21	306	22	1004 68 191A 00	309	7	1029 68 320A 00	310	14
1755 68 030B 24	306	22	1005 68 191A 05	306	19	1004 68 330	307	36
1757 68 030	305	1	1005 68 191A 05	309	7	1029 68 330	310	15
1757 68 030A	305	1	1005 68 191A 06	306	19	1029 68 330A	310	15
1791 68 030	309	4	1005 68 191A 07	306	19	1029 68 330A 00	310	15
1004 68 051	306	21	1011 68 191B 00	305	4	1004 68 341	307	39
1004 68 051	309	5	1013 68 191B	305	4	3561 68 341	307	39
1011 68 051	305	2	1755 68 221	306	24	1004 68 342	307	40
1004 68 052	307	33	1755 68 221	309	9	1011 68 371	306	15
1011 68 052	305	11	0208 68 230	295	14	1011 68 371	310	17
1004 68 053A	307	30	1755 68 241	306	25	1011 68 391	306	16
1011 68 053	305	8	1755 68 241	309	10	1011 68 391	310	18
1004 68 054A	307	31	0866 68 250 C1	207	53	1755 68 420A	242	15
1011 68 054	305	9	1029 68 260 00	309	11	1755 68 420B	242	15
0249 68 060A	295	10	1029 68 260 05	309	11	1755 68 420C	242	15
1004 68 061A	307	29	1029 68 260 08	310	11	1757 68 420A	238	21
1029 68 061A	276	33	1029 68 260 12	309	11	1757 68 420B	238	21
0810 68 070A	295	11	1004 68 275B	307	28	1011 68 426A	239	23
1029 68 081	276	37	1029 68 280 00	310	12	1755 68 450A	242	15
1029 68 091	276	38	1029 68 280 05	310	12	1755 68 450B	242	15
0866 68 095	216	57	1029 68 280 08	310	12	1755 68 450C	242	15
1004 68 100A	307	42	1029 68 280 12	310	12	1757 68 450A	238	21
0187 68 110A	295	12	1004 68 301	307	38	1757 68 450B	238	21
1004 68 120A	307	43	1004 68 301A	307	38	1011 68 456A	239	23
1004 68 171A 00	306	18	3561 68 301B	307	38	1011 68 501A	320	6
1004 68 171A 00	309	6	1011 68 310B 00	305	12	1011 68 505	320	7
1005 68 171A 05	306	18	1011 68 31CC 00	305	12	1755 68 520A	325	6

INDEX.

PARTS NUMBER	PARTS COMP. LIST PAGE	FIG. NO.	PARTS NUMBER	PARTS COMP. LIST PAGE	FIG. NO.	PARTS NUMBER	PARTS COMP. LIST PAGE	FIG. NO.
1755 68 520B	325	6	1029 68 659	302	6	1011 68 682B	299	33
1757 68 520	320	8	1114 68 659B	298	6	1011 68 682B	302	15
1757 68 520B	320	8	1114 68 659B	302	8	1011 68 695B	300	39
1011 68 526A	320	9	0839 68 660	295	9	1757 68 695	300	39
1011 68 527	320	10	1029 68 660A	302	9	1791 68 695	302	17
1755 68 550A	325	6	1029 68 660B	302	9	1004 68 711B	299	26
1755 68 550B	325	6	1011 68 661A	300	48	1004 68 711B	302	18
1757 68 550	320	8	1011 68 661A	303	27	1011 68 711	299	20
1757 68 550B	320	8	1011 68 662	300	49	1004 68 716A	299	27
1011 68 556A	320	9	1011 68 662	303	28	1004 68 716A	303	19
1011 68 557	321	10	1011 68 663	300	50	1011 68 716B	299	21
1029 68 601	302	1	1011 68 663	303	29	0839 68 720	296	17
1737 68 620A	299	17	1011 68 664	300	51	1004 68 721B	299	28
1737 68 620A	302	3	1011 68 664	303	30	1004 68 721B	303	20
1737 68 620B	299	17	1757 68 665B	298	7	1011 68 721	299	22
1737 68 620B	302	3	1757 68 666A	298	8	1004 68 726A	299	29
1757 68 651	298	1	1114 68 667C	298	9	1004 68 726A	303	21
1757 68 651	302	4	1114 68 667C	302	10	1011 68 726B	299	23
1757 68 654	298	2	1757 68 667C	298	10	0305 68 800F	295	1
1757 68 654	302	5	1011 68 668	298	11	1029 68 805	235	69
1029 68 656	302	5	1011 68 669	298	12	0305 68 810A	295	2
1029 68 656A	302	5	0839 68 670B	296	15	1011 68 811A	300	34
1011 68 657D	298	3	1757 68 671	299	18	1011 68 811B	300	34
1011 68 657E	298	3	1757 68 671	299	18	0698 68 820B	310	20
1011 68 657F	298	3	1757 68 671	302	11	1011 68 820A	298	13
1029 68 657	302	6	1757 68 671	302	11	1011 68 820B	298	13
1029 68 657A	302	6	1769 68 671C	299	18	1029 68 820B 05	310	20
1029 68 657B	302	6	1769 68 671C	302	11	1029 68 820B 08	310	20
1114 68 657C	298	4	1757 68 677	299	19	0698 68 822	311	22
1114 68 657D	298	4	1757 68 677	302	12	1029 68 822A 05	311	22
1011 68 658B	298	5	0866 68 680	296	16	1029 68 822A 08	311	22
1011 68 658C	298	5	1029 68 680	302	13	1029 68 823A	311	24
1011 68 658D	298	5	1011 68 681B	299	32	0698 68 830B	311	27
1029 68 658	302	7	1011 68 681B	302	14	0698 68 830C	311	27

INDEX.

PARTS NUMBER	PARTS COMP. LIST PAGE	FIG. NO.	PARTS NUMBER	PARTS COMP. LIST PAGE	FIG. NO.	PARTS NUMBER	PARTS COMP. LIST PAGE	FIG. NO.
0698 68 830D	311	27	1029 68 930B 08	311	28	1755 69 320	317	53
0698 68 830E	311	27	0305 68 951	155- G	37	1755 69 320A	317	53
1029 68 830B 05	311	27	0305 68 951	155- 3	52	1757 69 320A	317	53
1029 68 830B 08	311	27	0305 68 951	234	52	1011 69 371A 00	239	26
1029 68 830C 05	311	27	0305 68 951	316	39	1011 69 371A 00	242	17
1029 68 830C 08	311	27	0698 68 951	276	36	1011 69 371B 00	239	26
1029 68 830D 05	311	27	1029 68 951 05	276	36	1011 69 371B 00	242	17
1029 68 830D 08	311	27	1029 68 951 08	276	36	1013 69 371A	239	26
1029 68 832	312	29	0698 68 960	276	36	1013 69 371A	242	17
1029 68 833	312	30	1029 68 960 05	276	36	1013 69 371B	239	26
1029 68 840A	312	31	1029 68 960 08	276	36	1013 69 371B	242	17
1029 68 840B	312	31	0187 69 049A	166	2	1011 69 372B	239	27
1011 68 860A	300	36	0187 69 049A	174	55	1011 69 372B	242	18
0698 68 870C	311	21	0187 69 049A	315	17	1011 69 372C	239	27
1011 68 870A	300	37	0110 69 057	316	40	1011 69 372C	242	18
1029 68 870C 05	311	21	0730 69 057A	174	56	1011 69 391A 00	239	26
1029 68 870C 08	311	21	0730 69 057A	316	41	1011 69 391A 00	242	17
0398 68 875 00	204	24	1881 69 076	316	42	1011 69 391B 00	239	26
1029 68 880A	311	21	2850 69 090	317	44	1011 69 391B 00	242	17
1029 68 880E	311	21	2850 69 101	317	45	1013 69 391A	239	26
1029 68 890	311	23	0839 69 170	317	47	1013 69 391A	242	17
1755 68 890	300	43	0839 69 171	317	48	1013 69 391B	239	26
1757 68 890	300	42	1004 69 261A	317	50	1013 69 391B	242	17
1004 68 911	325	8	1757 69 270A	317	52	1011 69 392B	239	27
1011 68 911	239	24	0259 69 311	312	36	1011 69 392B	242	18
1011 68 912	239	25	0259 69 311A	312	36	1011 69 392C	239	27
1011 68 921	321	12	0585 69 311	312	37	1011 69 392C	242	18
1011 68 922	321	12	0585 69 311A	312	37	1011 69 421A 00	321	14
0698 68 930A	311	28	0866 69 311	306	26	1011 69 421A 00	325	9
0698 68 930B	311	28	0866 69 311A	306	26	1011 69 430A	321	16
0698 68 930C	311	28	0820 69 314A	305	7	1011 69 430A 00	326	11
1029 68 930A 05	311	28	0820 69 314A	307	27	1011 69 430A 05	326	11
1029 68 930A 08	311	28	0820 69 314B	305	7	1011 69 430A 06	326	11
1029 68 930B 05	311	28	0820 69 314B	307	27	1011 69 430A 07	326	11

INDEX.

PARTS NUMBER	PARTS COMP. LIST PAGE	FIG. NO.	PARTS NUMBER	PARTS COMP. LIST PAGE	FIG. NO.	PARTS NUMBER	PARTS COMP. LIST PAGE	FIG. NO.
1011 69 430A 08	326	11	1011 70 100C	187	5	0614 70 445	67	30
0187 69 605	300	40	1011 70 100E	187	5	0305 70 447B	169	9
1907 69 685	298	14	1029 70 100A	193	7	0305 70 447B	172	15
1907 69 685	303	24	1029 70 130	127	86	0305 70 447B	177	26
1757 69 810	292	1	1029 70 130	128- H	98	0305 70 448A	169	10
1769 69 810 05	292	1	1011 70 210	187	7	0305 70 448A	172	16
1769 69 810 06	292	1	1011 70 210	190	9	0305 70 448A	177	27
1769 69 810 07	292	1	1011 70 210	193	9	0839 70 449	169	11
1011 69 811	292	14	1004 70 241A	190	11	0839 70 449	172	17
1011 69 831A	292	12	1004 70 241A	193	11	0839 70 449	177	28
1011 69 840	293	16	1011 70 241	187	9	0866 70 454	169	12
0866 69 885	298	15	1011 70 250	187	11	0866 70 454	172	18
0866 69 885	300	35	1004 70 251	190	13	0866 70 454	177	29
0866 69 885	300	44	1029 70 251	193	13	0866 70 473	172	19
0866 69 885	303	25	0317 70 269	312	32	0187 70 491	121	78
0866 69 885	306	14	1004 70 270	190	15	0187 70 491	121- G	101
0866 69 885 05	303	25	1004 70 270	193	15	1004 70 500B	191	23
0866 69 920 02	317	55	1011 70 270	187	13	1011 70 500A	187	17
1011 70 020D	187	1	0187 70 279	155- E	54	3561 70 500	191	23
1011 70 020C	190	1	1004 70 311	190	17	1011 70 521C	187	18
1011 70 020D	193	1	1011 70 311	187	15	1011 70 521C	191	24
1004 70 050A	190	3	1029 70 311	193	17	1004 70 640	191	26
1011 70 050	187	3	1004 70 350D	190	19	1004 70 640	194	25
1029 70 050	193	3	1004 70 350D	193	19	1011 70 640A	187	20
1004 70 090B	190	5	1029 70 350	193	19	1004 70 660	191	27
1004 70 090B	193	5	0866 70 367	218	5	1004 70 660	194	26
1004 70 090C	190	5	0866 70 367	218- B	5	1011 70 660	188	21
1004 70 090C	193	5	0866 70 371	211	15	1029 70 660	194	26
1004 70 090D	190	5	0697 70 400	194	21	1029 70 671	194	27
1004 70 090D	193	5	1004 70 404	191	21	1029 70 700	194	28
1004 70 100A	190	7	1004 70 404	194	23	1004 70 701	191	28
1004 70 100B	190	7	0305 70 432	248	40	1011 70 701	188	22
1004 70 100C	190	7	0305 70 432	329	9	1011 70 701A	188	22
1011 70 100B	187	5	0305 70 443B	169	8	0585 70 720A	296	18

INDEX.

PARTS NUMBER	PARTS COMP. LIST PAGE	FIG. NO.	PARTS NUMBER	PARTS COMP. LIST PAGE	FIG. NO.	PARTS NUMBER	PARTS COMP. LIST PAGE	FIG. NO.
0585 70 733A	296	19	1011 71 210	190	10	0866 72 240B	329	14
1755 70 750	191	29	1011 71 210	193	10	0866 72 240C	329	14
1755 70 750A	191	29	1004 71 241A	190	12	0866 72 292	330	21
1755 70 750C	191	29	1004 71 241A	193	12	0866 72 292A	330	21
1757 70 750	188	23	1011 71 241	187	10	1743 72 310A	330	24
3565 70 750	188	23	1011 71 250	187	12	1004 72 331A	331	28
1029 70 751	194	29	1004 71 251	190	14	1725 72 410	331	29
1029 70 751A	194	29	1029 71 251	193	14	1725 72 410A	331	29
1029 70 751B	194	29	1004 71 270	190	16	1004 72 501A	326	12
1029 70 751C	194	29	1004 71 270	193	16	1029 72 501A	326	12
0727 70 943	243	20	1011 71 270	187	14	4300 72 502	243	22
1011 71 020D	187	2	1004 71 311	190	18	1004 72 505	326	13
1011 71 020D	190	2	1011 71 311	187	16	0259 72 509	248	41
1011 71 020D	193	2	1029 71 311	193	18	1011 72 510F	321	17
1004 71 050A	190	4	1004 71 350D	190	20	1011 72 510F	321	17
1011 71 050	187	4	1004 71 350D	193	20	1757 72 510	321	17
1029 71 050	193	4	1029 71 350	193	20	1011 72 552A	322	22
1004 71 090B	190	6	0697 71 400	194	22	1004 72 560	331	33
1004 71 090B	193	6	1004 71 404	191	22	1011 72 560B	322	26
1004 71 090C	190	6	1004 71 404	194	24	1004 72 602	326	14
1004 71 090C	193	6	1029 71 510B	128	87	1011 72 602	322	28
1004 71 090D	190	6	1029 71 510C	128	87	1029 72 602	326	14
1004 71 090D	193	6	1029 71 510C	128- H	99	1004 72 605A	327	17
1004 71 100	190	8	1011 71 516A	321	19	1011 72 605	322	30
1004 71 100A	190	8	1011 71 521C	187	19	0866 72 606	327	18
1004 71 100B	190	8	1011 71 521C	191	25	1029 72 606	327	18
1004 71 100C	190	8	1755 72 010	325	1	1004 72 607	327	19
1011 71 100A	187	6	1755 72 010A	325	1	1011 72 610B	322	31
1011 71 100B	187	6	1791 72 010	325	1	1004 72 651	327	20
1011 71 100C	187	6	1791 72 010B	325	1	1011 72 651	321	18
1011 71 100G	187	6	1004 72 020A	325	1	1029 72 651	327	20
1029 71 100A	193	8	0866 72 201	329	10	1004 72 661A	327	21
1029 71 100B	193	8	1004 72 210	329	11	1029 72 661A	327	21
1011 71 210	187	8	0866 72 212A	329	13	1004 72 760	327	22

INDEX.

PARTS NUMBER	PARTS COMP. LIST PAGE	FIG. NO.	PARTS NUMBER	PARTS COMP. LIST PAGE	FIG. NO.	PARTS NUMBER	PARTS COMP. LIST PAGE	FIG. NO.
1029 72 760	327	22	1004 73 661A	327	21	0866 74 440	333	3
1011 72 809	322	32	1029 73 661A	327	21	1791 74 613	127	74
1004 72 811C	327	23	1004 73 760	327	22	1791 74 613	128- G	85
1011 72 811C	322	33	1029 73 760	327	22	1791 74 630	128- H	107
1004 72 821A	325	7	1004 73 811C	327	23	0839 74 910A	333	4
1011 72 821A	321	11	1011 73 811C	323	33	0839 74 920A	333	5
1757 72 821	321	11	1004 73 821A	325	7	1568 75 029	211.	10
1011 72 871	323	35	1011 73 821A	321	11	1568 75 029	211	10
1004 72 873	327	25	1757 73 821	321	11	0370 75 622	206	48
1011 72 910	323	37	1011 73 871	323	35	1011 75 930	333	6
1755 73 010	325	1	1004 74 030	191	30	1011 75 950	333	7
1755 73 010A	325	1	1011 74 030	188	24	1029 75 960	333	8
1791 73 010	325	1	1011 74 030A	188	24	1757 75 990A	333	9
1791 73 010B	325	1	1029 74 030	194	30	0208 76 071	300	47
1004 73 020A	325	1	1708 74 040	185	25	0208 76 071	303	26
1004 73 210	329	11	1708 74 040B	185	25	0305 76 088	254	21
0866 73 240B	330	14	1708 74 040C	185	25	0305 76 088	258	23
0866 73 240C	330	14	1004 74 090	191	31	0305 76 123	257	6
1743 73 310A	330	24	1004 74 090	194	31	0305 76 124	257	7
1004 73 331A	331	28	1011 74 090	188	25	0305 76 162A	255	30
1725 73 410	331	29	1004 74 100	191	33	0305 76 162A	270	2
1725 73 410A	331	29	1004 74 100A	191	33	0305 76 168	255	36
1004 73 501A	326	12	1011 74 100A	188	27	0235 76 321	266	1
1029 73 501A	326	12	1011 74 100B	188	27	0235 76 322	266	2
1011 73 510F	321	17	1004 74 120	191	32	0235 76 333	267	23
1011 73 510F	321	17	1004 74 120	194	32	0235 76 334	267	24
1757 73 510	321	17	1011 74 120	188	26	0235 76 335	267	25
1004 73 560	331	33	1004 74 130	191	34	0235 76 336	267	26
1011 73 560B	322	26	1004 74 130A	191	34	0235 76 338	267	28
1004 73 602	326	14	1011 74 130A	188	28	0235 76 345	266	3
1011 73 602	322	28	1011 74 130B	188	28	0881 76 370	266	4
1029 73 602	326	14	0839 74 158	333	14	0235 76 373	266	12
1011 73 610B	322	31	0839 74 168	333	14	0235 76 374	266	13
1011 73 651	321	18	0866 74 430	333	3	0235 76 375	266	14

INDEX.

PARTS NUMBER	PARTS COMP. LIST PAGE	FIG. NO.	PARTS NUMBER	PARTS COMP. LIST PAGE	FIG. NO.	PARTS NUMBER	PARTS COMP. LIST PAGE	FIG. NO.
0235 76 377	266	5	1011 76 439	258	20	1780 76 601	285	11
1744 76 401C	253	1	1011 76 441	258	21	1011 76 603	285	4
1744 76 401C	253	1	1011 76 445	258	26	1011 76 604	285	5
1011 76 402A	253	2	1011 76 447A	254	24	1011 76 605	285	6
1011 76 403A	253	3	1011 76 447A	270	4	1011 76 606	285	7
1011 76 404A	253	4	1011 76 447B	254	24	1011 76 607	285	9
1744 76 405	253	5	1011 76 447B	270	4	1011 76 608	285	12
1744 76 406C	253	6	1011 76 448A	254	25	1708 76 609	286	34
1744 76 406C	253	6	1011 76 448B	254	25	1757 76 609	286	34
1011 76 407	253	7	1011 76 449A	254	26	1708 76 611	285	18
1011 76 409A	253	8	1011 76 451	254	27	1757 76 611	285	18
1011 76 414	255	41	1011 76 451	270	5	1011 76 612A	286	22
1011 76 415	253	9	1011 76 452	254	28	1708 76 613	286	24
1011 76 416A	253	10	1011 76 454	255	29	1757 76 613	286	24
1011 76 417	253	12	1011 76 454	270	6	1011 76 701	270	12
1011 76 418	253	14	1011 76 455	255	31	1011 76 702	270	13
1011 76 419	253	15	1011 76 455	270	7	1011 76 703	270	14
1011 76 419	258	22	1708 76 457	255	32	1011 76 703A	270	14
1708 76 421	257	3	1708 76 457	270	8	1734 76 704	270	15
1011 76 422	257	9	1708 76 458	255	33	1011 76 705	270	16
1708 76 423	257	1	1708 76 459	255	34	1003 76 706	270	17
1708 76 424A	257	2	1011 76 461	255	35	0370 76 707	272	41
1708 76 425	257	4	1011 76 461	270	9	1734 76 707	271	18
1708 76 426	257	5	1011 76 463	255	38	1011 76 708	271	19
1708 76 428	257	10	1011 76 463	270	10	0881 76 712	266	11
1708 76 432	257	12	1011 76 464	258	27	1011 76 712	271	20
1011 76 433A	257	13	1011 76 465	258	28	0881 76 713	266	6
1011 76 433A	257	13	1011 76 471	255	42	0881 76 714	266	7
1011 76 434	257	14	1011 76 471A	255	42	0881 76 717	266	16
1011 76 435	255	39	1011 76 472	255	43	1011 76 717	271	24
1011 76 435	258	16	1011 76 473	255	44	1734 76 718	271	25
1011 76 435	270	3	1708 76 474	255	40	1734 76 719	271	26
1011 76 437	258	18	1011 76 479	253	11	1011 76 721	271	27
1011 76 438	258	19	1757 76 601	285	11	1011 76 722	271	28

INDEX.

PARTS NUMBER	PARTS COMP. LIST PAGE	FIG. NO.	PARTS NUMBER	PARTS COMP. LIST PAGE	FIG. NO.	PARTS NUMBER	PARTS COMP. LIST PAGE	FIG. NO.
1734 76 722	271	28	1769 76 806	268- B	7	1915 76 826	268	48
0881 76 723	268	40	1769 76 808	268- B	8	1769 76 827	268- C	29
1011 76 723	271	29	1769 76 810	268- B	1	1915 76 827	268	49
1011 76 724	271	30	1915 76 810	267	22	1769 76 828	268- C	24
1011 76 725	271	31	1769 76 811	268- B	13	1915 76 828	268	50
0881 76 726	268	41	1915 76 811	267	29	1769 76 829	268- C	25
1011 76 726	271	32	1769 76 812	268- B	14	1915 76 829	266	1
0881 76 727	266	17	1769 76 813	268- B	15	1769 76 830	268- C	26
1011 76 727	271	33	1915 76 813	267	30	1915 76 830	268	51
1011 76 731	271	35	1769 76 814	268- B	16	1769 76 831	268- C	30
1011 76 732	272	36	1915 76 814	267	31	1769 76 832	268- C	31
1011 76 733	272	39	1769 76 815	268- B	17	1769 76 833	268- C	32
0881 76 734	266	18	1915 76 815	267	32	1769 76 834	268- C	33
1011 76 734	272	37	1769 76 816	268- B	18	1769 76 835	268- C	34
0881 76 735	267	19	1915 76 816	267	33	1769 76 836	268- C	35
1734 76 735	272	40	1769 76 817	268- C	19	1769 76 837	268- C	36
1011 76 737	272	42	1915 76 817	267	35	1769 76 838	268- C	37
0881 76 738	266	8	1769 76 818	268- C	20	1769 76 840	268- C	38
1011 76 738	263	48	1915 76 818	267	36	1769 76 850	268- D	39
0881 76 739	266	9	1769 76 819	268- C	21	1769 76 870	268- D	45
1011 76 739	263	49	1915 76 819	268	37	1769 76 871	268- D	46
1769 76 739	263	49	1769 76 820	268- C	22	1769 76 872	268- D	47
0881 76 740	266	10	1915 76 820	268	39	1769 76 873	268- D	48
0881 76 741	266	15	1769 76 821	268- B	9	1769 76 874	268- D	49
1011 76 741	263	47	1915 76 821	268	42	1769 76 875	268- D	50
0881 76 742	267	20	1769 76 822	268- C	23	1769 76 876	268- D	51
1011 76 742	263	50	1915 76 822	268	43	1769 76 877	268- D	52
1769 76 745	263	47	1769 76 823	268- B	10	1769 76 878	268- D	53
1769 76 800	268- B		1915 76 823	268	44	1769 76 879	268- D	40
1769 76 801	268- B	2	1769 76 824	268- B	11	1769 76 881	268- D	54
1769 76 802	268- B	3	1915 76 824	268	45	1769 76 882	268- D	41
1769 76 803	268- B	4	1769 76 825	268- C	27	1769 76 883	268- D	42
1769 76 804	268- B	5	1915 76 825	268	46	1769 76 884	268- D	43
1769 76 805	268- B	6	1769 76 826	268- C	28	1769 76 885	268- D	44

INDEX.

PARTS NUMBER	PARTS COMP. LIST PAGE	FIG. NO.	PARTS NUMBER	PARTS COMP. LIST PAGE	FIG. NO.	PARTS NUMBER	PARTS COMP. LIST PAGE	FIG. NO.
1769 76 886	268- D	45	0738 87 803	286	29	1755 88 104 22	230	9
0866 78 521	197	24	0738 87 804	286	31	0866 88 105	221	16
0866 78 530	197	26	0727 87 816	287	38	0866 88 105	227	19
0866 78 541	197	27	0824 87 846	286	36	0866 88 105	231	19
0866 78 541	201	36	2835 87 922	285	14	0866 88 106	221	16
0866 78 541A	197	27	2835 87 923	286	20	0866 88 106	227	19
0866 78 541A	201	36	2835 87 924	286	25	0866 88 106	231	19
0223 78 834	262	30	0559 87 925	286	26	1755 88 110	225	1
0223 78 861	262	26	2835 87 926	286	21	1755 88 110	230	1
0223 78 865	262	29	2835 87 928	285	19	1757 88 110A	220	1
0275 87 007	157	4	0305 87 956	286	35	1755 88 111	225	3
0727 87 012	157	6	0727 87 992	287	41	1755 88 111	230	3
2850 87 012	157	5	0305 87 993	287	46	1757 88 111	220	3
0727 87 013	157	7	0727 87 994	287	45	1881 88 120	223	37
0727 87 014	157	8	0727 87 995	287	44	1881 88 120	228	40
0727 87 016	157	9	0839 88 064	221	17	1881 88 120	235	70
0727 87 022	157	6	1011 88 101	227	16	1755 88 130	225	5
0727 87 023	157	7	1011 88 101	231	16	1755 88 130	230	5
0259 87 103	286	25	1737 88 101	221	13	1757 88 130A	220	5
0259 87 104A	286	26	1011 88 102	226	11	1755 88 131	225	7
0259 87 105	286	21	1011 88 102	231	11	1755 88 131	230	7
0259 87 106	286	23	1737 88 102	221	8	1757 88 131	220	7
0257 87 107	285	17	1011 88 103	221	9	1757 88 131A	220	7
0259 87 107	285	19	1011 88 103	226	12	1004 88 151	221	14
0257 87 108	285	15	1011 88 103	231	12	1004 88 151	227	17
0259 87 108A	286	20	1755 88 104 00	226	9	1004 88 151	231	17
0259 87 109A	285	14	1755 88 104 00	230	9	1011 88 152	221	10
0259 87 119	286	27	1755 88 104 08	226	9	1011 88 152	226	13
0259 87 120	286	28	1755 88 104 08	230	9	1011 88 152	231	13
0259 87 134	285	10	1755 88 104 11	226	9	1009 88 153	221	11
0702 87 135	286	30	1755 88 104 11	230	9	1009 88 153	226	14
0702 87 138	286	32	1755 88 104 12	226	9	1009 88 153	231	14
0621 87 151	293	33	1755 88 104 12	230	9	1755 88 154 00	226	10
0618 87 344	285	8	1755 88 104 22	226	9	1755 88 154 00	230	10

INDEX.

PARTS NUMBER	PARTS COMP. LIST PAGE	FIG. NO.	PARTS NUMBER	PARTS COMP. LIST PAGE	FIG. NO.	PARTS NUMBER	PARTS COMP. LIST PAGE	FIG. NO.
1755 88 154 08	226	10	1029 88 262	232	29	1757 88 360	225	2
1755 88 154 08	230	10	1029 88 263	232	30	1757 88 360	230	2
1755 88 154 11	226	10	1755 88 270	228	28	1757 88 361	220	4
1755 88 154 11	231	10	1029 88 287	232	31	1757 88 361	225	4
1755 88 154 12	226	10	1791 88 288 00	232	32	1757 88 361	230	4
1755 88 154 12	230	10	1791 88 288 12	232	32	1755 88 380	225	6
1755 88 154 22	226	10	1029 88 299	232	33	1755 88 380	230	6
1755 88 154 22	231	10	1029 88 300	232	34	1757 88 380	220	6
1755 88 160	225	2	1029 88 310	232	35	1755 88 381	226	8
1755 88 160	230	2	1755 88 310	225	1	1755 88 381	230	8
1757 88 160	220	2	1755 88 310	230	1	1755 88 401	227	25
1755 88 161	225	4	1757 88 310	220	1	1755 88 401	232	25
1755 88 161	230	4	1755 88 311	225	3	1756 88 401	227	25
1757 88 161	220	4	1755 88 311	230	3	1757 88 401	222	23
1757 88 165	221	17	1757 88 311	220	3	1757 88 401A	222	23
1757 88 166	221	17	1029 88 321 00	232	36	1755 88 451	228	27
1757 88 167	221	17	1029 88 321 08	232	36	1757 88 451	222	25
1755 88 180	225	6	1029 88 321 12	232	36	1791 88 451	232	27
1755 88 180	230	6	1029 88 322 00	232	37	3561 88 451	228	27
1757 88 180A	220	6	1029 88 322 08	232	37	1755 88 470	228	28
1755 88 181	226	8	1029 88 322 12	232	37	1011 89 175	49	
1755 88 181	230	8	1029 88 325 00	233	38	1757 89 251	70	9
1755 88 201	227	25	1029 88 325 08	233	38	1011 89 411	135	16
1755 88 201	232	25	1029 88 325 12	233	38	1881 89 411	135	16
1755 88 201A	227	25	1029 88 326 00	233	39	0839 89 431A	135	6
1755 88 201A	232	25	1029 88 326 08	233	39	0317 89 435	135	9
1756 88 201	227	25	1029 88 326 12	233	39	0317 89 435A	135	9
1757 88 201	222	23	1755 88 330	225	5	0317 89 435B	135	9
1757 88 201A	222	23	1755 88 330	230	5	0317 89 436A	135	10
1755 88 251A	228	27	1757 88 330	220	5	0317 89 436A	138	2
1757 88 251A	222	25	1755 88 331	226	7	1011 89 601 00	318	57
1791 88 251	232	27	1755 88 331	230	7	1011 89 611	318	58
3561 88 251	228	27	1757 88 331	221	7	1755 89 654	161	3
1029 88 261	232	28	1757 88 360	220	2	2435 89 654	161	7

INDEX.

PARTS NUMBER	PARTS COMP. LIST PAGE	FIG. NO.	PARTS NUMBER	PARTS COMP. LIST PAGE	FIG. NO.	PARTS NUMBER	PARTS COMP. LIST PAGE	FIG. NO.
3565 89 654	161	7	1907 99 150A	35	28	1029 99 703A	177	33
1755 89 659	161	3	1907 99 150B	35	28	1004 99 704A	173	24
3565 89 659	161	7	1907 99 150C	35	28	1004 99 704A	177	34
1755 89 662	157	11	0305 99 178	56	36	1004 99 707	173	21
1757 89 662	158	17	0698 99 265	73	7	1004 99 707	177	31
3565 89 662	157	11	1011 99 265	73	7	1011 99 707	169	14
3565 89 662	158	17	1372 99 265	73	7	1004 99 708	173	23
1757 89 663	159	23	1004 99 281B	84	21	1004 99 709A	173	25
1755 89 664	161	14	1004 99 281B	87	23	1004 99 709A	177	35
1757 89 664	162	24	1004 99 281C	84	21	1011 99 711A	169	15
1791 89 664	166	4	1004 99 281C	87	23	1011 99 711A	173	26
1011 89 665	163	32	1029 99 281	87	23	1011 99 711A	177	36
1029 89 665	167	18	1757 99 283	84	24	1011 99 712	169	16
1755 89 665	163	32	1027 99 322	96	39	1011 99 712	173	27
1755 89 665	163	36	1027 99 322	102	37	1011 99 712	177	37
1755 89 667	157	11	1175 99 322	96	39	1011 99 712A	169	16
1757 89 667	158	17	1175 99 322	102	37	1011 99 712A	173	27
3565 89 667	157	11	1177 99 322	96	39	1011 99 712A	177	37
3565 89 667	158	17	1177 99 322	102	37	1011 99 713	169	17
1757 89 668	159	23	0866 99 324	97	40	1011 99 713	173	28
1755 89 669	161	14	0866 99 324	102	38	1011 99 713	177	38
1751 89 669	166	4	1175 99 324	97	40	1011 99 713A	169	17
1755 89 673	163	40	1175 99 324	102	38	1011 99 713A	173	28
1755 89 673	167	21	1177 99 324	97	40	1011 99 713A	177	38
1757 89 673	163	40	1177 99 324	102	38	1011 99 720A	169	18
1791 89 674	166	11	0866 99 356A	109	19	1011 99 720A	173	33
1755 89 678	163	40	0259 99 361	108	13	1011 99 720A	178	43
1755 89 678	167	21	0317 99 362	108	17	1011 99 721	169	19
1757 89 678	163	40	0317 99 362A	108	17	1011 99 721	173	34
1791 89 679	166	11	1004 99 702	173	20	1011 99 721	178	44
1758 99 100	7		1004 99 702	177	30	1011 99 726	170	20
1758 99 100A	7		1011 99 702A	169	13	1011 99 726	173	35
1758 99 100B	7		1004 99 703	173	22	1011 99 726	178	45
3565 99 100	7		1029 99 703A	177	32	1029 99 727	314	12

INDEX.

PARTS NUMBER	PARTS COMP. LIST PAGE	FIG. NO.	PARTS NUMBER	PARTS COMP. LIST PAGE	FIG. NO.	PARTS NUMBER	PARTS COMP. LIST PAGE	FIG. NO.
1004 99 732B	173	36	1011 99 749	170	32	9922 12 015	100	25
1004 99 732B	178	46	1004 99 760A	174	48	9922 12 015	102	42
1011 99 732	170	21	1004 99 760A	178	57	9922 12 020	96	37
1004 99 733A	173	38	1011 99 760A	170	33	9922 12 020	97	45
1004 99 733A	178	48	1004 99 765A	174	49	9922 12 020	100	24
1011 99 733	170	23	1004 99 765A	178	58	9922 12 020	102	43
1029 99 733A	178	50	1011 99 765A	170	34	9922 12 020	133	29
1004 99 737A	173	37	1757 99 801	149	32	9922 12 020	146- B	16
1004 99 737A	178	47	1757 99 801A	149	32	9922 13 015	96	37
1011 99 737	170	22	1757 99 801B	149	32	9922 13 015	97	44
1004 99 738A	173	39	1757 99 801C	149	32	9922 13 015	97	45
1004 99 738A	178	49	3567 99 801A	155- F	66	9922 13 015	100	24
1011 99 738	170	24	1757 99 802	149	32	9922 13 015	102	42
1029 99 738A	178	51	1757 99 802A	149	32	9922 13 015	102	43
1004 99 741	174	40	1757 99 802B	149	32	9922 13 020	109	20
1004 99 741	178	52	1757 99 802C	149	32	9922 13 020	221	16
1011 99 741	170	25	3567 99 802A	155- F	67	9922 13 020	227	19
1004 99 742	174	41	1757 99 806	149	34	9922 13 020	231	19
1004 99 742	178	53	3565 99 806A	155- F	68	9922 13 030	110	34
1011 99 742	170	26	0243 99 916	150	36	9922 13 035	110	34
1004 99 743	174	43	1011 99 916	150	37	9922 14 030	104	2
1004 99 743	178	55	1011 99 917	150	39	9922 20 216	48	27
1011 99 743	170	28	9062 02 7323	77	29	9922 20 216	68- F	7
1004 99 744	174	44	9062 02 7323	106	34	9922 20 610	12	45
1004 99 744	178	56	9062 02 7323	296	22	9922 20 610	13	54
1011 99 744	170	29	9062 03 7323	77	29	9922 50 320	146- B	12
1004 99 745	174	42	9062 03 7323	106	34	9923 00 511	130	7
1004 99 745	178	54	9062 03 7323	296	22	9923 00 815B	145	11
1011 99 745	170	27	9062 08 7693	77	29	9923 00 820	295	7
1004 99 746	174	45	9062 08 7693	106	34	9923 10 820	133	27
1011 99 746	170	30	9062 08 7693	296	22	9923 31 225	47	3
1004 99 748	174	46	9922 11 212	31	58	9923 90 416	101	28
1011 99 748	170	31	9922 12 015	96	38	9926 30 601B	128	92
1004 99 749	174	47	9922 12 015	97	44	9926 30 601B	128- H	104

INDEX.

PARTS NUMBER	PARTS COMP. LIST PAGE	FIG. NO.	PARTS NUMBER	PARTS COMP. LIST PAGE	FIG. NO.	PARTS NUMBER	PARTS COMP. LIST PAGE	FIG. NO.
9926 40 351B	251	21	9927 91 104	121- G	93	9928 31 000	121- D	40
9926 40 513B	261	21	9927 91 104	283- 5	4	9928 31 000	121- E	53
9926 40 531B	185	21	9927 91 104	283- 5	4	9928 31 000	121- F	75
9926 40 531B	185	23	9927 91 104	283- 5	4	9928 31 000	123	11
9926 40 531B	214	24	9927 91 104	283- 5	4	9928 31 000	127	78
9926 40 531B	238	12	9927 91 104	287	49	9928 31 000	128- B	17
9926 40 752	154	19	9927 91 105	121- G	94	9928 31 000	128- G	89
9927 40 821	307	35	9927 91 105	283- 5	5	9928 31 100	119	41
9927 40 821	307	44	9927 91 105	283- 5	5	9928 31 100	121- E	54
9927 60 506	48	24	9928 21 401	127	78	9928 31 100	121- F	68
9927 60 506	278	2	9928 21 401	138	8	9928 31 100	121- F	76
9927 60 806	68- C	26	9928 21 401	139	32	9928 31 100	125	48
9927 60 806	283- 4	1	9928 21 601	127	70	9928 31 100	126	59
9927 61 006	68	40	9928 21 700	68- D	41	9928 31 100	128- E	57
9927 61 006	68- C	26	9928 21 800	101	33	9928 31 100	128- F	70
9927 61 006	68- D	38	9928 21 800	101	33	9928 31 200	117	13
9927 61 008	22	7	9928 21 901	119	43	9928 31 200	119	41
9927 61 608	64	28	9928 21 901	142	22	9928 31 200	121	83
9927 62 008	64	28	9928 22 000	101	33	9928 31 200	121- B	13
9927 71 202	125	49	9928 22 001	119	43	9928 31 200	121- D	41
9927 71 202	128- E	58	9928 22 201	121- E	56	9928 31 200	121- G	85
9927 81 102	117	4	9928 22 201	128- G	81	9928 31 200	123	12
9927 81 102	121- G	102	9928 22 600	38	68	9928 31 200	126	58
9927 81 201	126	60	9928 22 600	251	19	9928 31 200	127	75
9927 81 201	128- F	71	9928 22 600	253	13	9928 31 200	128- B	18
9927 90 401	181	21	9928 24 309	25	15	9928 31 200	128- F	69
9927 90 401	290	14	9928 24 900	38	64	9928 31 300	37	54
9927 90 502	174	50	9928 26 000	118	32	9928 50 800	37	54
9927 90 502	283- 4	2	9928 26 000	121- D	44	9928 80 808	205	27
9927 90 502	283- 4	2	9928 26 000	124	33	9928 80 808B	22	8
9927 90 803	283- 5	3	9928 26 000	128- D	41	9928 81 100	283- 5	6
9927 90 803	292	11	9928 31 000	117	12	9928 81 608	283- 4	9
9927 90 807	283- 5	2	9928 31 000	121- B	15	9928 90 701	37	56
9927 91 104	121	79	9928 31 000	121- C	29	9928 90 701	37	56

INDEX.

PARTS NUMBER	PARTS COMP. LIST PAGE	FIG. NO.	PARTS NUMBER	PARTS COMP. LIST PAGE	FIG. NO.	PARTS NUMBER	PARTS COMP. LIST PAGE	FIG. NO.
9929 61 222	283- 4	8	9934 60 6600	127	71	9934 80 8260	120	57
9930 11 100	223	33	9934 60 6700	121- F	74	9934 80 8310	121- D	36
9930 11 100	228	36	9934 60 6790	120	66	9934 80 8580	121- D	37
9930 11 100	235	66	9934 60 6800	118	25	9934 80 8880	117	10
9930 21 100	235	67	9934 60 6800	124	24	9934 80 8880	121- B	12
9930 21 100B	235	67	9934 60 8190	25	30	9934 80 8880	123	9
9930 52 800	7	82	9934 60 8190	25	31	9934 80 8880	128- B	15
9930 63 000	2	17	9934 60 8200	25	30	9934 81 0430	127	69
9930 63 000	3	33	9934 60 8240	25	31	9934 90 8470	120	58
9930 70 600	4	52	9934 61 0430	127	69	9934 90 8520	120	58
9930 70 600	15	2	9934 61 2270	119	42	9938 10 600	68- D	42
9930 70 600	16- 2	2	9934 61 4255	121- E	55	9938 10 800	68- D	43
9930 70 800	16- 2	3	9934 80 6155	127	77	9938 11 400	34	13
9930 71 000	16- 2	4	9934 80 6155	128- G	88	9938 41 200	4	53
9930 71 200	15	3	9934 80 6180	119	37	9938 41 200F	4	53
9933 30 6019	125	45	9934 80 6180	121- E	50	9938 41 200F	34	15
9933 30 6035	125	46	9934 80 6300	119	39	9950 23 000	35	26
9933 30 6050	127	72	9934 80 6300	121- E	51	9950 23 000A	35	26
9933 50 4160	287	47	9934 80 6340	125	46	9950 24 000	48	35
9934 00 4090	118	26	9934 80 6340	127	72	9950 31 000	4	38
9934 00 4090	124	25	9934 80 6340	128- E	55	9950 33 000	15	4
9934 00 4200	25	32	9934 80 6340	128- G	83	9950 33 000	16- 2	5
9934 00 4200	25	33	9934 80 6410	120	59	9951 01 000	7	83
9934 00 4350	61	39	9934 80 6410	121- D	39	9951 11 000	15	5
9934 46 0150	127	77	9934 80 6420	125	45	9951 11 000	16- 2	6
9934 60 6055	118	26	9934 80 6420	128- E	54	9951 11 200	3	34
9934 60 6055	124	25	9934 80 6570	119	38	9951 11 200	35	29
9934 60 6180	119	37	9934 80 6570	121- E	52	9951 11 400	5	62
9934 60 6290	119	39	9934 80 6600	127	71	9954 10 0901	68- U	4
9934 60 6460	121	67	9934 80 6600	128- G	82	9954 10 1101	11	27
9934 60 6460	121- F	67	9934 80 6880	117	11	9954 10 1201	68- U	5
9934 60 6480	119	40	9934 80 6880	121- B	14	9954 10 1601	7	
9934 60 6500	121- D	49	9934 80 6880	123	10	9954 10 1601	29	27
9934 60 6560	119	38	9934 80 6880	128- B	16	9954 10 1601	68- I	53

INDEX.

PARTS NUMBER	PARTS COMP. LIST PAGE	FIG. NO.	PARTS NUMBER	PARTS COMP. LIST PAGE	FIG. NO.	PARTS NUMBER	PARTS COMP. LIST PAGE	FIG. NO.
9954 10 2211	48	28	9956 41 600	118	20	9960 63 3070	52	34
9954 10 2211	68- F	8	9956 41 600	121- C	21	9960 66 2050	70	5
9954 10 240	7		9956 41 600	124	19	9960 67 2030	35	31
9954 10 240	15	12	9956 41 600	128- C	24	9960 68 3020	42	36
9954 10 240	16- 2	13	9956 41 800	47	8	9961 11 500	52	35
9954 10 350	8		9956 41 800	49		9961 11 500	68- Q	3
9954 10 350	61	37	9956 41 800	56	34	9961 11 500	77	17
9956 21 000	136	23	9956 42 200	34	6	9961 11 500	135	14
9956 21 000	141	2	9956 42 800	12	42	9961 11 750	68- F	12
9956 21 200	3	35	9957 32 500	52	32	9961 12 000	11	28
9956 21 200	35	29	9957 32 500	68- Q	2	9961 12 000	68- F	17
9956 21 200	118	29	9957 33 500	52	33	9961 12 500	55	15
9956 21 200	141	2	9957 37 8118	44	10	9961 12 750	68- U	15
9956 21 400	5	63	9957 44 000	35	30	9962 10 1753	77	29
9956 21 400	49		9957 45 200	70	6	9962 10 1753	106	34
9956 21 400	55	13	9957 50 300	130	7	9962 10 1753	296	22
9956 21 600	3	36	9957 50 500	145	12	9963 60 4130	78	29
9956 21 600	5	54	9957 50 600	76	10	9963 60 4130	106	34
9956 21 800	34	14	9957 50 600	130	5	9963 60 4130	296	22
9956 40 800	4	37	9957 50 600	132	14	9965 06 5530	78	29
9956 41 000	7	83	9957 50 600	146- C	31	9965 06 5530	106	34
9956 41 000	15	6	9957 51 200	205	27	9965 06 5530	296	22
9956 41 000	16- 2	7	9957 60 500	295	7	9965 07 5530	78	29
9956 41 000	49		9957 60 700	296	21	9965 07 5530	106	34
9956 41 000	55	14	9957 60 800	31	59	9965 07 5530	296	22
9956 41 000	68- D	44	9957 83 000	300	38	9965 53 0010	78	35
9956 41 000	118	29	9957 83 000	316	43	9965 53 0015	78	35
9956 41 000	124	29	9957 93 000	174	56	9965 53 0020	78	35
9956 41 000	128- D	36	9957 93 000	203	3	9965 53 0025	78	35
9956 41 200	68- D	45	9957 93 000	292	13	9965 53 0030	78	35
9956 41 200	124	29	9957 93 000	315	17	9965 53 0035	78	35
9956 41 400	2	4	9958 32 8388	94	5	9965 53 0040	78	35
9956 41 600	34	16	9958 61 0207	48	29	9965 53 0045	78	35
9956 41 600	38	66	9958 61 0207	68- F	9	9965 53 0050	78	35

INDEX.

PARTS NUMBER	PARTS COMP. LIST PAGE	FIG. NO.	PARTS NUMBER	PARTS COMP. LIST PAGE	FIG. NO.	PARTS NUMBER	PARTS COMP. LIST PAGE	FIG. NO.
9965 53 0060	78	35	9970 14 278	162	21	9974 00 512B	216	60
9968 11 203	117	14	9970 14 278	162	29	9974 00 516B	203	7
9968 11 203	123	13	9970 14 278	166	9	9974 00 516B	205	35
9968 11 503	117	14	9970 15 050	280	26	9974 00 520	155- E	59
9968 11 503	117	15	9970 15 050	293	23	9974 00 520B	203	6
9968 11 503	121- B	16	9970 15 050	293	27	9974 10 616B	268	47
9968 11 503	123	13	9970 15 050	293	32	9974 30 525B	167	17
9968 11 503	123	14	9970 16 030	203	13	9974 80 413	307	37
9968 11 503	128- B	19	9970 16 030	204	20	9975 12 1225	80	12
9968 40 600	161	5	9970 16 030	207	51	9975 16 1255	80	12
9968 40 600	161	12	9970 16 030	211	11	9975 23 0818	71	10
9968 40 600	163	35	9970 21 030	206	47	9976 50 616	275	27
9968 40 600	163	39	9970 60 105	279	13	9976 50 616B	275	27
9968 40 600	287	48	9970 60 110	278	9	9976 80 410B	237	10
9968 60 500	128	94	9970 60 110	333	10	9976 80 410B	323	36
9968 60 500	128- H	106	9970 60 115	278	9	9976 80 412	159	26
9968 60 801	275	31	9970 60 120	278	9	9976 80 412B	316	31
9970 05 100	292	8	9970 90 108	22	6	9976 80 425B	148	19
9970 08 120	161	4	9970 90 108	26	36	9976 80 425B	155- F	76
9970 08 120	161	11	9970 90 108	68- D	46	9976 80 425B	155- 2	39
9970 11 030	208	70	9970 90 108	125	47	9976 80 512B	238	16
9970 11 030	292	3	9970 90 108	128- E	56	9976 80 512B	314	2
9970 12 070	163	34	9970 90 108	283- 5	4	9976 80 512B	323	34
9970 12 070	163	38	9970 90 108	290	13	9976 80 512B	327	24
9970 12 080	159	25	9970 90 255	22	9	9976 80 630	158	15
9970 12 080	164	42	9970 90 255	68- D	47	9976 90 414	166	3
9970 12 080	167	20	9970 90 255	283- 4	5	9976 90 414B	316	33
9970 12 080	167	23	9970 90 255	283- 4	5	9976 90 420B	149	20
9970 13 270	162	20	9970 92 185	283- 5	9	9976 90 420B	155- F	77
9970 13 270	162	28	9970 92 185	283- 5	9	9976 90 420B	155- 2	40
9970 13 270	166	8	9971 51 102	295	8	9976 90 512	149	21
9970 13 270	167	15	9973 90 512B	322	32	9976 90 512	155- F	78
9970 14 278	158	14	9974 00 512	293	19	9976 90 512	155- 2	41
9970 14 278	158	20	9974 00 512B	205	34	9976 90 512B	278	3

INDEX.

PARTS NUMBER	PARTS COMP. LIST PAGE	FIG. NO.	PARTS NUMBER	PARTS COMP. LIST PAGE	FIG. NO.	PARTS NUMBER	PARTS COMP. LIST PAGE	FIG. NO.
9977 20 516	317	46	9978 40 816	155- E	55	9978 60 612	128- G	93
9977 30 416	164	43	9978 40 816	185	28	9978 60 612	138	6
9977 30 416	167	24	9978 40 825	274	9	9978 60 612	143	35
9977 40 516B	149	22	9978 50 516	274	5	9978 60 612	163	35
9977 40 612	155- E	57	9978 50 612	279	16	9978 60 612	185	18
9977 40 616	154	21	9978 50 825	87	11	9978 60 612	196	15
9977 40 616	155- E	58	9978 50 825B	222	20	9978 60 612	200	24
9977 80 520	161	6	9978 50 825B	227	22	9978 60 612	208	61
9977 80 520	161	13	9978 50 825B	231	22	9978 60 612	282	39
9978 10 816	94	11	9978 60 510	290	15	9978 60 612	283- 1	49
9978 10 818	141	7	9978 60 512	121- E	58	9978 60 612	283- 3	61
9978 10 822	141	8	9978 60 512	213	11	9978 60 612	287	43
9978 10 825	90	14	9978 60 512	290	11	9978 60 612B	157	10
9978 10 832	90	17	9978 60 512B	242	12	9978 60 612B	197	29
9978 11 012	68- B	3	9978 60 610	282	38	9978 60 612B	201	38
9978 11 018	68- E	5	9978 60 612	15	17	9978 60 6129	155- E	60
9978 11 028	197	28	9978 60 612	16- 2	18	9978 60 614	37	53
9978 11 028	201	37	9978 60 612	20	11	9978 60 614	142	26
9978 11 080	96	33	9978 60 612	22	3	9978 60 6148	261	14
9978 11 080	100	20	9978 60 612	37	53	9978 60 6148	261	17
9978 11 085	94	3	9978 60 612	37	53	9978 60 6148	262	32
9978 11 090	94	3	9978 60 612	61	44	9978 60 6148	263	43
9978 11 090	99	5	9978 60 612	68	39	9978 60 616	68	37
9978 11 092	94	3	9978 60 612	102	36	9978 60 616	121	86
9978 11 092	99	5	9978 60 612	117	18	9978 60 616	121- F	82
9978 11 225	109	27	9978 60 612	121	75	9978 60 616	121- G	97
9978 11 235	109	28	9978 60 612	121	84	9978 60 616	126	62
9978 30 825	124	30	9978 60 612	121- B	19	9978 60 616	128	90
9978 30 825	128- D	38	9978 60 612	121- G	92	9978 60 616	128- F	74
9978 30 828	245	5	9978 60 612	123	17	9978 60 616	128- H	102
9978 30 828	330	22	9978 60 612	126	62	9978 60 616	130	13
9978 31 035	110	41	9978 60 612	127	82	9978 60 616	145	14
9978 40 616	155- F	69	9978 60 612	128- C	22	9978 60 616	146	24
9978 40 816	149	27	9978 60 612	128- F	74	9978 60 616	146	26

INDEX.

PARTS NUMBER	PARTS COMP. LIST PAGE	FIG. NO.	PARTS NUMBER	PARTS COMP. LIST PAGE	FIG. NO.	PARTS NUMBER	PARTS COMP. LIST PAGE	FIG. NO.
9978 60 616	196	12	9978 60 840	115- 3	40	9979 60 608	48	32
9978 60 616	200	20	9978 60 850	60	19	9979 60 608	247	33
9978 60 616	295	4	9978 90 820F	73	3	9979 60 608	326	16
9978 60 620	67	28	9978 90 880F	73	2	9979 60 608	331	32
9978 60 620	89	10	9979 40 516	213	11	9979 60 610	4	40
9978 60 620	125	44	9979 40 612	223	34	9979 60 610	15	17
9978 60 620	128- E	53	9979 40 612	228	37	9979 60 610	25	24
9978 60 620	130	8	9979 40 612	235	68	9979 60 610	25	28
9978 60 620	213	8	9979 40 612	283- 3	66	9979 60 610	26	40
9978 60 620	218	6	9979 40 614	155- 3	52	9979 60 610	36	43
9978 60 620	218- B	6	9979 40 616	155- G	86	9979 60 610	68- B	8
9978 60 620	264	61	9979 40 616	155- 3	52	9979 60 610	68- B	10
9978 60 620	286	37	9979 40 616	287	39	9979 60 610	68- C	30
9978 60 625	281	32	9979 40 820	84	16	9979 60 610	68- I	54
9978 60 628B	262	35	9979 40 820	87	20	9979 60 610	117	5
9978 60 630	158	21	9979 40 820	180	8	9979 60 610	121- B	7
9978 60 635	142	28	9979 41 020	71	17	9979 60 610	123	7
9978 60 640	281	32	9979 41 0259	150	35	9979 60 610	128- B	10
9978 60 816	37	50	9979 41 0259	155- E	56	9979 60 610	243	21
9978 60 816	200	29	9979 41 0259	155- 1	29	9979 60 610	247	36
9978 60 820	114	3	9979 50 525	262	28	9979 60 610	248	37
9978 60 820	148	6	9979 51 032	132	3	9979 60 610	322	27
9978 60 820	149	33	9979 60 412B	315	25	9979 60 610	322	29
9978 60 820	154	18	9979 60 414	155- 1	32	9979 60 610	331	34
9978 60 820	155- B	20	9979 60 510	246	25	9979 60 612	56	23
9978 60 820	155- E	62	9979 60 510	329	6	9979 60 612	67	26
9978 60 820	185	19	9979 60 512	119	45	9979 60 612	115- 1	28
9978 60 820B	221	18	9979 60 512	119	48	9979 60 612	181	18
9978 60 820B	227	21	9979 60 512	120	53	9979 60 612	184	3
9978 60 820B	231	21	9979 60 512	125	51	9979 60 612	184	7
9978 60 820B	233	49	9979 60 512	126	55	9979 60 612	197	20
9978 60 825	200	35	9979 60 512	128	88	9979 60 614	37	59
9978 60 825B	222	26	9979 60 512	128- H	100	9979 60 614	47	16
9978 60 825B	228	29	9979 60 512	274	5	9979 60 614	115- 1	27

INDEX.

PARTS NUMBER	PARTS COMP. LIST PAGE	FIG. NO.	PARTS NUMBER	PARTS COMP. LIST PAGE	FIG. NO.	PARTS NUMBER	PARTS COMP. LIST PAGE	FIG. NO.
9979 60 614	180	14	9979 60 820	35	32	9980 01 0115	64	21
9979 60 614	182	37	9979 60 820	42	39	9980 10 812	237	5
9979 60 614	238	18	9979 60 820	64	25	9980 10 816	6	72
9979 60 614	320	2	9979 60 820	124	30	9980 10 816	267	21
9979 60 614	322	21	9979 60 822	56	20	9980 10 818	6	72
9979 60 616	115- 2	34	9979 60 825	64	24	9980 10 818	6	72
9979 60 620	36	44	9979 60 825B	233	45	9980 10 818	10	7
9979 60 620	48	19	9979 60 832	56	21	9980 10 818	114	7
9979 60 620	68- D	40	9979 61 012	118	28	9980 10 820	6	72
9979 60 620	181	20	9979 61 012	121- C	33	9980 10 820	52	28
9979 60 620B	215	39	9979 61 012	124	27	9980 10 820	112	8
9979 60 635	36	38	9979 61 012	128- C	35	9980 10 820	115	21
9979 60 810	34	16	9979 61 020	155- 2	47	9980 10 820	221	12
9979 60 810	155- 3	50	9979 61 025	197	28	9980 10 820	226	15
9979 60 812	15	14	9979 61 025	201	37	9980 10 820	231	15
9979 60 812	16- 2	15	9979 61 030	71	17	9980 10 822	11	30
9979 60 812	16- 3	27	9979 61 030	71	17	9980 10 822	24	5
9979 60 812	25	25	9979 61 035	45	16	9980 10 822	35	32
9979 60 812	25	29	9979 61 035	68- C	24	9980 10 822	83	4
9979 60 812	38	61	9979 61 040	68- C	24	9980 10 825	6	78
9979 60 812	38	61	9979 61 045	44	15	9980 10 825	260	3
9979 60 812	142	24	9979 61 045	68- C	24	9980 10 832	114	6
9979 60 812	260	3	9979 61 090	45	17	9980 10 835	260	2
9979 60 814	24	4	9979 70 410	127	84	9980 10 835	267	34
9979 60 814	237	6	9979 70 410	128- G	96	9980 10 840	5	57
9979 60 814	274	13	9979 70 512	121- E	61	9980 10 865	5	58
9979 60 814	275	18	9979 70 512	128- E	60	9980 10 875	5	59
9979 60 816	4	42	9979 70 512	128- F	64	9980 11 018	41	21
9979 60 816	7	83	9979 70 525	262	28	9980 11 025	260	3
9979 60 816	64	25	9979 70 612	150	43	9980 11 032	67	21
9979 60 816	68- B	11	9979 70 612	181	24	9980 11 032	67	21
9979 60 816	155- C	84	9979 70 612	184	4	9980 11 035	67	21
9979 60 816	184	7	9979 70 614	149	23	9980 11 045	115- 1	32
9979 60 820	24	5	9979 90 516	203	8	9980 11 075	67	22

INDEX.

PARTS NUMBER	PARTS COMP. LIST PAGE	FIG. NO.	PARTS NUMBER	PARTS COMP. LIST PAGE	FIG. NO.	PARTS NUMBER	PARTS COMP. LIST PAGE	FIG. NO.
9980 30 8100	24	2	9983 00 516B	215	45	9983 30 410	207	54
9980 31 0120	67	22	9983 00 520	239	28	9983 30 410	254	19
9980 60 510	286	33	9983 00 520	243	19	9983 30 410	290	20
9980 60 510	286	33	9983 00 520	325	10	9983 30 410B	272	38
9980 60 516	247	31	9983 00 610	5	63	9983 30 412	146	29
9980 60 516	322	25	9983 00 616B	215	38	9983 30 412	161	13
9980 60 516	331	38	9983 10 308	90	23	9983 30 416	254	20
9980 60 516B	271	34	9983 10 408	241	8	9983 30 416	258	24
9980 60 610	268	52	9983 10 408	326	15	9983 30 510	208	67
9980 60 612	115- 3	39	9983 10 508B	215	32	9983 30 510	311	24
9980 60 614	29	20	9983 10 510B	215	33	9983 30 512	120	64
9980 60 614	48	34	9983 10 512B	205	33	9983 30 512	121- F	72
9980 60 614	56	23	9983 10 516	317	49	9983 30 512	138	4
9980 60 614	68- F	4	9983 10 625	180	11	9983 30 512	255	37
9980 60 614	268	38	9983 10 636	180	10	9983 30 512	270	11
9980 60 616	6	68	9983 20 408	326	15	9983 30 516	257	8
9980 60 616	34	12	9983 20 408B	246	15	9983 30 520	239	28
9980 60 618	28	15	9983 20 408B	329	3	9983 30 520	243	19
9980 60 618	31	51	9983 20 410	241	8	9983 30 520	321	15
9980 60 620	36	43	9983 20 525B	207	59	9983 30 520	325	10
9980 60 625	215	36	9983 20 525B	207	60	9983 30 525	278	10
9980 60 625	216	61	9983 20 630	246	22	9983 30 610	146- C	27
9981 10 812	81	20	9983 20 630	330	26	9983 30 610B	311	25
9981 10 820	86	4	9983 30 306	251	23	9983 30 812	76	2
9981 11 010	4	40	9983 30 306	264	66	9983 30 812	78	34
9981 11 020	104	13	9983 30 316	254	23	9983 30 816	78	34
9981 11 022	40	8	9983 30 408	30	32	9983 40 410	293	34
9981 11 022	41	28	9983 30 408	96	28	9983 50 625C	158	15
9981 11 022	101	30	9983 30 408	96	28	9983 50 625C	158	21
9981 11 025	101	29	9983 30 408	100	15	9983 70 514B	204	15
9981 11 050	80	9	9983 30 408	121	77	9983 70 516C	317	54
9981 31 2200	133	36	9983 30 408	121- G	99	9983 80 512B	293	19
9983 00 510	208	67	9983 30 408	161	13	9983 80 514B	293	24
9983 00 510	312	33	9983 30 410	91	45	9983 80 620	215	41

INDEX.

PARTS NUMBER	PARTS COMP. LIST PAGE	FIG. NO.	PARTS NUMBER	PARTS COMP. LIST PAGE	FIG. NO.	PARTS NUMBER	PARTS COMP. LIST PAGE	FIG. NO.
9983 80 620	216	49	9986 10 416C	317	51	9986 30 408	257	15
9983 80 620	318	56	9986 10 514B	215	46	9986 30 410	161	13
9984 60 412B	271	23	9986 10 514B	234	58	9986 30 412	238	14
9985 10 612A	5	55	9986 10 516B	213	15	9986 30 412	258	17
9985 10 622A	15	7	9986 10 516B	214	21	9986 30 412	280	28
9985 10 622A	16- 2	8	9986 20 412B	233	41	9986 30 412B	302	2
9985 10 822A	2	5	9986 20 412B	321	11	9986 30 416	276	34
9985 10 828A	15	8	9986 20 414B	305	5	9986 30 416B	302	2
9985 10 830A	16- 2	9	9986 20 414B	306	20	9986 30 416B	303	23
9985 20 610	47	4	9986 20 414B	309	8	9986 30 508	149	30
9985 20 612	76	12	9986 20 416B	305	5	9986 30 508	155- 2	45
9985 20 660	2	18	9986 20 416B	306	20	9986 30 512	293	17
9985 20 820	73	3	9986 20 416B	309	8	9986 30 512B	293	17
9985 20 822A	3	19	9986 20 416B	310	13	9986 30 514B	305	13
9985 20 822A	4	38	9986 20 416B	321	13	9986 30 516	37	59
9985 20 880	73	2	9986 20 416C	310	13	9986 30 516	203	9
9985 51 020	5	56	9986 20 416C	310	16	9986 30 516	205	36
9985 51 025	47	5	9986 20 416C	321	13	9986 30 516B	305	13
9985 91 025A	3	23	9986 20 425B	299	24	9986 30 520	126	66
9985 91 025A	40	6	9986 20 425B	299	30	9986 30 520	279	13
9985 91 025A	41	26	9986 20 425B	303	22	9986 30 520	282	39
9985 91 035A	5	56	9986 20 512	281	32	9986 30 525B	292	15
9985 91 035A	40	7	9986 20 512B	307	41	9986 40 408	203	11
9985 91 035A	41	27	9986 20 512C	276	39	9986 40 408	307	46
9985 91 220A	3	22	9986 20 512C	311	26	9986 40 410	290	16
9985 91 225A	3	23	9986 20 516B	215	46	9986 40 412	279	19
9986 00 508	145	16	9986 20 516B	276	40	9986 40 412	305	10
9986 00 508	283- 3	64	9986 20 516C	276	40	9986 40 412	307	32
9986 00 510	199	18	9986 20 520B	312	35	9986 40 412	320	5
9986 00 510	283- 2	56	9986 20 525B	311	26	9986 40 412B	314	2
9986 00 510	283- 2	57	9986 20 525C	311	26	9986 40 414B	298	16
9986 00 510	283- 3	64	9986 30 308	91	46	9986 40 414B	299	25
9986 00 512	184	7	9986 30 310	91	29	9986 40 414B	299	31
9986 00 514	38	70	9986 30 312	90	24	9986 40 414B	302	16

INDEX.

PARTS NUMBER	PARTS COMP. LIST PAGE	FIG. NO.	PARTS NUMBER	PARTS COMP. LIST PAGE	FIG. NO.	PARTS NUMBER	PARTS COMP. LIST PAGE	FIG. NO.
9986 40 414B	303	23	9986 50 616	146- C	22	9988 70 412	146- B	13
9986 40 414B	306	17	9986 70 516B	276	40	9989 50 600	115- 3	41
9986 40 414B	310	19	9986 70 516C	276	40	9989 60 400	149	24
9986 40 416B	299	25	9986 80 308B	293	29	9989 60 400	155- F	79
9986 40 416B	299	31	9986 80 408	166	10	9989 60 400	155- 2	42
9986 40 416B	306	17	9986 80 408	167	16	9989 60 400	276	35
9986 40 416B	310	19	9986 80 408	200	31	9989 60 500	126	67
9986 40 420B	298	16	9986 80 412	162	22	9989 60 500	213	13
9986 40 420B	302	16	9986 80 412	203	11	9989 60 500	293	18
9986 40 510	234	59	9986 80 412	204	17	9990 10 600	37	49
9986 40 516B	263	40	9986 80 412	205	41	9990 10 800	15	9
9986 40 520B	213	14	9986 80 416	204	18	9990 10 800	18- 2	49
9986 40 530B	233	50	9986 80 420	205	39	9990 10 800	29	26
9986 50 408	204	18	9986 80 430	162	30	9990 10 800	35	33
9986 50 412	238	14	9986 80 440	163	30	9990 10 800	36	36
9986 50 508	61	41	9986 80 510	278	2	9990 10 800	67	23
9986 50 510	61	41	9986 80 510	283	49	9990 10 800	68	36
9986 50 510	125	36	9986 80 520	283- 1	49	9990 10 800	81	23
9986 50 510	155- G	82	9986 80 525	283- 1	49	9990 10 800	83	4
9986 50 510	185	29	9986 90 400B	271	22	9990 10 800	89	6
9986 50 510	185	32	9986 90 410	150	46	9990 10 800	115- 1	21
9986 50 512	38	70	9986 90 410	155- D	38	9990 10 800	138	9
9986 50 512	101	36	9986 90 410	155- 1	32	9990 10 800B	145	13
9986 50 512	115- 1	24	9986 90 412	155- E	63	9990 20 800	146- C	36
9986 50 512	155- C	21	9986 90 412	155- 1	32	9990 60 300	254	22
9986 50 512	155- C	21	9986 90 412	293	30	9990 60 400	254	18
9986 50 512	208	64	9986 90 414	153	17	9990 60 400	258	25
9986 50 512	279	13	9986 90 414	154	17	9990 60 400B	271	21
9986 50 516	37	59	9986 90 414	155- 1	31	9990 60 500	60	18
9986 50 516	119	36	9986 90 414	155- 1	32	9990 60 500	120	65
9986 50 516	121- D	48	9986 90 512	155- E	61	9990 60 500	126	68
9986 50 520	128- D	44	9986 90 512	251	20	9990 60 500	254	17
9986 50 520	128- F	77	9986 90 512	261	15	9990 60 500	267	27
9986 50 520	282	39	9986 90 512	279	20	9990 60 600	24	10

INDEX.

PARTS NUMBER	PARTS COMP. LIST PAGE	FIG. NO.	PARTS NUMBER	PARTS COMP. LIST PAGE	FIG. NO.	PARTS NUMBER	PARTS COMP. LIST PAGE	FIG. NO.
9990 60 600	28	6	9992 11 200	87	18	9994 00 400	164	43
9990 60 600	48	23	9992 11 200	132	4	9994 00 400	167	24
9990 60 600	63	19	9992 12 000	95	23	9994 00 400	292	9
9990 60 600	77	19	9992 12 000	99	10	9994 00 400	316	28
9990 60 600	89	10	9992 20 800	132	9	9994 00 400	316	37
9990 60 600	233	40	9992 21 000	95	19	9994 00 500	138	7
9990 60 600	254	16	9992 21 000	101	36	9994 00 500	163	31
9990 60 600	257	11	9992 21 000	132	3	9994 00 500	251	18
9990 60 800	138	11	9992 21 000	133	26	9994 00 500	264	65
9990 70 600	31	49	9992 21 000	146- C	25	9994 00 500	290	9
9990 70 600	130	11	9992 21 000	153	14	9994 00 500	290	17
9991 00 402	316	34	9992 21 000	155- C	23	9994 00 501	120	65
9991 00 501	276	41	9992 21 200	28	7	9994 00 501	121- F	73
9991 00 501	293	20	9992 21 400	68- U	2	9994 00 501	126	68
9991 00 601	155- C	22	9992 21 400	96	35	9994 00 501	128- F	79
9992 10 800	86	4	9992 21 400	100	22	9994 00 501	162	23
9992 11 000	40	9	9992 21 800	70	8	9994 00 502	161	2
9992 11 000	41	28	9992 31 400	110	34	9994 00 502	211	16
9992 11 000	83	3	9992 41 000	96	37	9994 00 502	213	6
9992 11 000	83	8	9992 41 000	96	38	9994 00 502	214	16
9992 11 000	84	18	9992 41 000	97	44	9994 00 502	314	7
9992 11 000	94	4	9992 41 000	97	45	9994 00 502	314	9
9992 11 000	99	5	9992 41 000	100	24	9994 00 502	314	13
9992 11 000	109	30	9992 41 000	100	25	9994 00 600	16- 3	28
9992 11 000	112	5	9992 41 000	102	42	9994 00 600	61	46
9992 11 000	112	6	9992 41 000	102	43	9994 00 600	61	46
9992 11 000	155- G	88	9992 41 200	109	20	9994 00 600	115- 1	29
9992 11 000	155- 2	48	9992 41 201	96	37	9994 00 600	117	3
9992 11 000	155- 3	53	9992 41 201	97	44	9994 00 600	117	8
9992 11 000	197	25	9992 41 201	97	45	9994 00 600	121- B	3
9992 11 200	40	10	9992 41 201	100	24	9994 00 600	121- B	10
9992 11 200	41	29	9992 41 201	102	42	9994 00 600	123	3
9992 11 200	86	3	9992 41 201	102	43	9994 00 600	123	7
9992 11 200	86	8	9992 61 000	155- G	92	9994 00 600	128- B	5

INDEX.

PARTS NUMBER	PARTS COMP. LIST PAGE	FIG. NO.	PARTS NUMBER	PARTS COMP. LIST PAGE	FIG. NO.	PARTS NUMBER	PARTS COMP. LIST PAGE	FIG. NO.
9994 00 600	128- B	14	9994 00 603	61	38	9994 01 001	47	11
9994 00 600	135	3	9994 00 603	89	10	9994 01 001	64	22
9994 00 600	216	52	9994 00 603	123	3	9994 01 001	68- C	25
9994 00 600	246	23	9994 00 603	128- B	7	9994 01 001	71	16
9994 00 600	251	17	9994 00 603	181	31	9994 01 001	155- F	64
9994 00 600	251	17	9994 00 800	16- 3	29	9994 01 002	112	15
9994 00 600	264	63	9994 00 800	84	20	9994 01 002	148	11
9994 00 600	280	23	9994 00 800	87	22	9994 01 002	155- 1	29
9994 00 600	281	31	9994 00 800	114	6	9994 10 801	20	9
9994 00 600	283- 2	54	9994 00 800	114	10	9994 21 400	108	2
9994 00 600	283- 4	68	9994 00 800	132	2	9994 41 400	96	36
9994 00 600	290	12	9994 00 800	133	38	9994 41 400	100	23
9994 00 600	330	27	9994 00 800	136	20	9994 50 500B	300	45
9994 00 601	24	10	9994 00 800	139	20	9994 50 800	153	10
9994 00 601	61	38	9994 00 800	161	13	9994 50 800	155	26
9994 00 601	67	31	9994 00 800	221	19	9994 81 200	92	48
9994 00 602	38	60	9994 00 800	227	23	9994 90 800	114	12
9994 00 602	67	31	9994 00 800	232	23	9995 10 618	102	36
9994 00 602	152	7	9994 00 800	280	24	9995 10 618	149	23
9994 00 602	155	27	9994 00 801	16- 2	10	9995 10 618B	208	60
9994 00 602	155- C	24	9994 00 801	234	51	9995 10 618B	311	25
9994 00 602	155- C	24	9994 00 802	20	8	9995 10 818	24	2
9994 00 602	155- C	24	9994 00 802	42	39	9995 10 818	114	6
9994 00 602	155- C	24	9994 00 802	108	3	9995 10 818	274	9
9994 00 602	155- C	24	9994 00 802	120	55	9995 10 822	114	12
9994 00 602	180	12	9994 00 802	121- E	66	9995 10 822	132	2
9994 00 602	181	30	9994 00 802	153	15	9995 10 822	141	8
9994 00 602	213	9	9994 00 802	155- C	25	9995 10 822	201	35
9994 00 602	215	37	9994 00 802	155- C	25	9995 10 822	213	8
9994 00 602	216	61	9994 00 802	180	7	9995 10 822	213	11
9994 00 602	248	38	9994 00 802	237	8	9995 10 822	237	5
9994 00 602	275	16	9994 01 000	110	37	9995 10 822	330	23
9994 00 602	275	22	9994 01 000	197	25	9995 11 020	197	25
9994 00 602	321	20	9994 01 001	45	18	9995 11 022	94	4

INDEX.

PARTS NUMBER	PARTS COMP. LIST PAGE	FIG. NO.	PARTS NUMBER	PARTS COMP. LIST PAGE	FIG. NO.	PARTS NUMBER	PARTS COMP. LIST PAGE	FIG. NO.
9995 11 022	99	5	9995 20 500	37	59	9995 20 500B	292	15
9995 11 022	197	25	9995 20 500	38	70	9995 20 500B	293	19
9995 11 022	197	28	9995 20 500	60	18	9995 20 500B	314	2
9995 11 022	201	37	9995 20 500	120	64	9995 20 512	203	6
9995 11 030	71	15	9995 20 500	120	65	9995 20 516	155- C	21
9995 11 030	71	18	9995 20 500	121- E	61	9995 20 516	274	5
9995 11 030	112	5	9995 20 500	121- F	72	9995 20 516	290	15
9995 11 030	150	35	9995 20 500	126	66	9995 20 516B	233	50
9995 11 030	155- E	56	9995 20 500	127	68	9995 20 516B	300	45
9995 11 030	155- G	88	9995 20 500	128	88	9995 20 516B	305	13
9995 11 030	155- 1	29	9995 20 500	128- E	60	9995 20 600	16	17
9995 11 030	155- 2	48	9995 20 500	128- F	64	9995 20 600	29	15
9995 11 030	155- 3	53	9995 20 500	128- H	100	9995 20 600	37	49
9995 11 226	132	4	9995 20 500	149	30	9995 20 600	64	19
9995 11 430	108	2	9995 20 500	155- 2	45	9995 20 600	115- 3	39
9995 20 400	91	45	9995 20 500	184	7	9995 20 600	117	3
9995 20 400	146	29	9995 20 500	199	18	9995 20 600	121	84
9995 20 400	203	11	9995 20 500	203	8	9995 20 600	121- B	3
9995 20 400	204	17	9995 20 500	203	9	9995 20 600	121- F	82
9995 20 400	204	18	9995 20 500	208	67	9995 20 600	123	3
9995 20 400	205	39	9995 20 500	214	17	9995 20 600	128- B	5
9995 20 400	207	54	9995 20 500	234	59	9995 20 600	146- C	27
9995 20 400	238	14	9995 20 500	239	28	9995 20 600	155- G	86
9995 20 400	290	20	9995 20 500	243	19	9995 20 600	155- 3	52
9995 20 412	155- F	63	9995 20 500	279	13	9995 20 600	215	41
9995 20 412B	298	16	9995 20 500	283- 1	49	9995 20 600	233	40
9995 20 412B	299	25	9995 20 500	283- 1	49	9995 20 600	275	22
9995 20 412B	299	31	9995 20 500	283- 1	51	9995 20 600	279	16
9995 20 412B	302	16	9995 20 500	283- 2	56	9995 20 600	280	23
9995 20 412B	303	23	9995 20 500	283- 2	57	9995 20 600	281	32
9995 20 412B	306	17	9995 20 500	283- 3	64	9995 20 600	283- 3	66
9995 20 412B	310	19	9995 20 500	320	5	9995 20 600	290	12
9995 20 412B	314	2	9995 20 500	321	15	9995 20 600	318	56
9995 20 412B	315	25	9995 20 500B	283- 1	51	9995 20 618	16	17

INDEX.

PARTS NUMBER	PARTS COMP. LIST PAGE	FIG. NO.	PARTS NUMBER	PARTS COMP. LIST PAGE	FIG. NO.	PARTS NUMBER	PARTS COMP. LIST PAGE	FIG. NO.
9995 20 618	16- 3	18	9995 20 618	213	8	9995 20 816	133	22
9995 20 618	20	11	9995 20 618	218	6	9995 20 816	146- C	32
9995 20 618	67	26	9995 20 618	218- B	6	9995 20 816	221	12
9995 20 618	67	28	9995 20 618	238	18	9995 20 816	226	15
9995 20 618	89	10	9995 20 618	248	36	9995 20 816	231	15
9995 20 618	89	10	9995 20 618	264	61	9995 20 816	274	13
9995 20 618	115- 1	27	9995 20 618	281	32	9995 20 816	275	18
9995 20 618	115- 2	34	9995 20 618	283- 2	54	9995 20 818	24	5
9995 20 618	117	18	9995 20 618	292	9	9995 20 818	37	50
9995 20 618	118	18	9995 20 618	320	2	9995 20 818	38	61
9995 20 618	121	86	9995 20 618	322	21	9995 20 818	38	61
9995 20 618	121- C	19	9995 20 618	322	27	9995 20 818	64	25
9995 20 618	121- G	97	9995 20 618	322	29	9995 20 822	60	19
9995 20 618	123	17	9995 20 618	326	16	9995 20 822	112	8
9995 20 618	125	44	9995 20 618B	261	14	9995 20 822	124	30
9995 20 618	126	62	9995 20 618B	261	17	9995 20 822	148	6
9995 20 618	128	90	9995 20 618B	262	32	9995 20 822	149	33
9995 20 618	128- C	22	9995 20 618B	262	35	9995 20 822	154	18
9995 20 618	128- E	53	9995 20 618B	263	43	9995 20 822	155- C	20
9995 20 618	128- F	74	9995 20 800	5	57	9995 20 822	155- E	55
9995 20 618	128- H	102	9995 20 800	5	58	9995 20 822	155- E	62
9995 20 618	130	8	9995 20 800	5	59	9995 20 822	155- G	84
9995 20 618	150	43	9995 20 800	6	78	9995 20 822	155- 3	50
9995 20 618	154	21	9995 20 800	15	9	9995 20 822	180	8
9995 20 618	157	10	9995 20 800	24	2	9995 20 822	185	19
9995 20 618	181	18	9995 20 800	42	39	9995 20 822	200	29
9995 20 618	181	30	9995 20 800	67	23	9995 20 822	221	18
9995 20 618	182	37	9995 20 800	84	20	9995 20 822	221	19
9995 20 618	184	4	9995 20 800	87	22	9995 20 822	227	21
9995 20 618	185	18	9995 20 800	89	6	9995 20 822	227	23
9995 20 618	196	12	9995 20 800	124	30	9995 20 822	231	21
9995 20 618	196	15	9995 20 800	128- D	38	9995 20 822	232	23
9995 20 618	200	20	9995 20 800	141	7	9995 20 822	233	49
9995 20 618	200	24	9995 20 800	181	29	9995 20 822	237	6

INDEX.

PARTS NUMBER	PARTS COMP. LIST PAGE	FIG. NO.	PARTS NUMBER	PARTS COMP. LIST PAGE	FIG. NO.	PARTS NUMBER	PARTS COMP. LIST PAGE	FIG. NO.
9995 20 822A	207	59	9995 31 000	155- C	23	9997 10 400	205	39
9995 21 000	83	3	9995 31 000	155- 1	29	9997 10 400	207	54
9995 21 000	101	29	9995 31 400	146- C	24	9997 10 400	254	19
9995 21 000	101	36	9995 81 220	80	13	9997 10 400	254	20
9995 21 000	155	27	9996 33 310	57	39	9997 10 400	258	24
9995 21 000	155- F	65	9996 33 330	57	39	9997 10 400	272	38
9995 21 000	260	3	9996 36 910	53	36	9997 10 400	290	20
9995 21 000	296	21	9996 36 930	53	36	9997 10 500	60	18
9995 21 016	3	21	9996 70 400A	310	13	9997 10 500	120	64
9995 21 022	101	30	9996 70 400A	310	16	9997 10 500	120	65
9995 21 030	71	18	9996 70 400B	233	41	9997 10 500	121- E	61
9995 21 030	155- G	92	9996 70 400B	310	13	9997 10 500	121- F	72
9995 21 030	197	28	9996 70 400B	321	11	9997 10 500	126	66
9995 21 030	201	37	9996 70 500A	276	39	9997 10 500	127	68
9995 21 200B	222	28	9996 70 500A	276	40	9997 10 500	128- E	60
9995 21 200B	228	31	9996 70 500A	311	26	9997 10 500	128- F	64
9995 21 200B	234	61	9996 70 500B	204	15	9997 10 500	138	4
9995 21 224	296	20	9996 70 500B	207	59	9997 10 500	203	9
9995 30 400	31	57	9996 70 500B	207	60	9997 10 500	247	31
9995 30 600	24	10	9996 70 500B	214	21	9997 10 500	254	17
9995 30 600	31	51	9996 70 500B	276	40	9997 10 500	255	37
9995 30 600	123	3	9996 70 500B	307	41	9997 10 500	257	8
9995 30 800	15	9	9996 70 500B	311	26	9997 10 500	267	27
9995 30 800	24	5	9996 70 500B	311	26	9997 10 500	270	11
9995 30 800	29	26	9996 70 500B	312	35	9997 10 500	278	2
9995 30 800	35	33	9997 10 300	254	23	9997 10 500	278	10
9995 30 800	146- C	33	9997 10 400	30	32	9997 10 500	283- 2	51
9995 30 800	260	2	9997 10 400	91	45	9997 10 500	285	16
9995 30 800	260	3	9997 10 400	96	28	9997 10 500	286	33
9995 30 800	295	7	9997 10 400	96	28	9997 10 500	286	33
9995 31 000	44	2	9997 10 400	100	15	9997 10 500	322	25
9995 31 000	67	22	9997 10 400	146	29	9997 10 500	326	10
9995 31 000	153	14	9997 10 400	204	17	9997 10 500	331	38
9995 31 000	155	27	9997 10 400	204	18	9997 10 500B	271	34

INDEX.

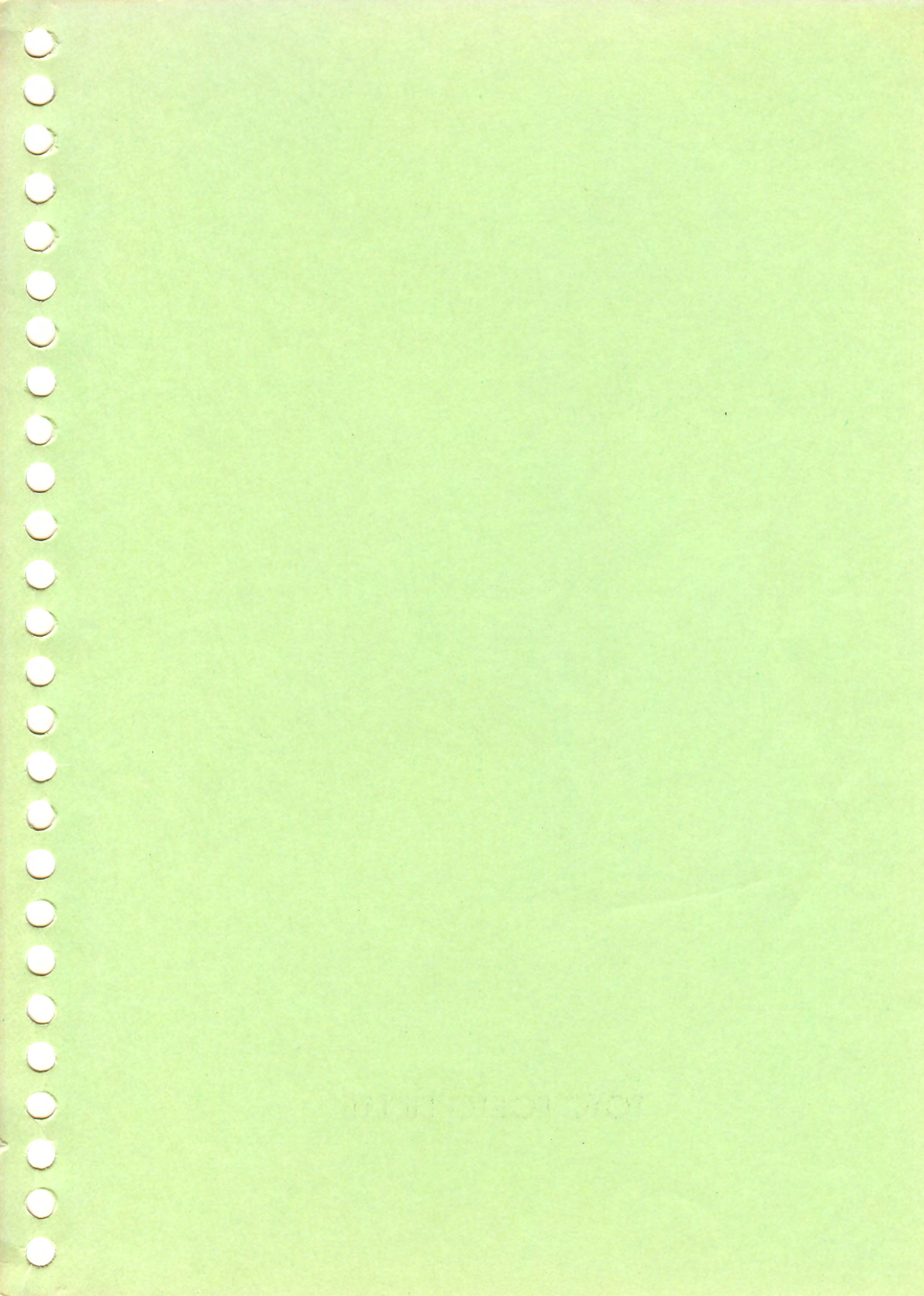
PARTS NUMBER	PARTS COMP. LIST PAGE	FIG. NO.	PARTS NUMBER	PARTS COMP. LIST PAGE	FIG. NO.	PARTS NUMBER	PARTS COMP. LIST PAGE	FIG. NO.
9997 10 500B	283- 2	51	9997 10 800	10	7	9997 10 800	141	7
9997 10 600	6	68	9997 10 800	11	30	9997 10 800	141	8
9997 10 600	24	10	9997 10 800	15	9	9997 10 800	145	13
9997 10 600	28	6	9997 10 800	18- 2	49	9997 10 800	146- C	36
9997 10 600	29	15	9997 10 800	24	2	9997 10 800	153	10
9997 10 600	29	20	9997 10 800	24	5	9997 10 800	155	26
9997 10 600	31	49	9997 10 800	29	26	9997 10 800	221	12
9997 10 600	31	51	9997 10 800	35	32	9997 10 800	222	20
9997 10 600	34	12	9997 10 800	36	33	9997 10 800	226	15
9997 10 600	36	43	9997 10 800	36	36	9997 10 800	227	22
9997 10 600	37	49	9997 10 800	44	9	9997 10 800	231	15
9997 10 600	48	23	9997 10 800	44	10	9997 10 800	232	22
9997 10 600	48	34	9997 10 800	52	28	9997 10 800	245	5
9997 10 600	56	23	9997 10 800	56	27	9997 10 800	260	2
9997 10 600	64	19	9997 10 800	67	23	9997 10 800	260	3
9997 10 600	68- F	4	9997 10 800	71	10	9997 10 800	267	21
9997 10 600	77	19	9997 10 800	78	34	9997 10 800	330	22
9997 10 600	118	18	9997 10 800	81	20	9997 10 800B	271	21
9997 10 600	146- C	27	9997 10 800	81	23	9997 11 000	4	40
9997 10 600	154	21	9997 10 800	83	4	9997 11 000	6	70
9997 10 600	155	27	9997 10 800	86	4	9997 11 000	40	8
9997 10 600	215	41	9997 10 800	87	11	9997 11 000	40	9
9997 10 600	216	49	9997 10 800	89	6	9997 11 000	41	21
9997 10 600	233	40	9997 10 800	90	14	9997 11 000	41	28
9997 10 600	254	16	9997 10 800	90	17	9997 11 000	44	2
9997 10 600	257	11	9997 10 800	94	11	9997 11 000	67	21
9997 10 600	318	56	9997 10 800	112	8	9997 11 000	67	22
9997 10 600	330	26	9997 10 800	114	6	9997 11 000	68- B	3
9997 10 601	55	1	9997 10 800	114	7	9997 11 000	68- B	5
9997 10 800	5	57	9997 10 800	115	21	9997 11 000	73	14
9997 10 800	5	58	9997 10 800	124	30	9997 11 000	80	9
9997 10 800	5	59	9997 10 800	128- D	38	9997 11 000	83	3
9997 10 800	6	72	9997 10 800	138	9	9997 11 000	83	8
9997 10 800	6	78	9997 10 800	138	11	9997 11 000	84	18

INDEX.

PARTS NUMBER	PARTS COMP. LIST PAGE	FIG. NO.	PARTS NUMBER	PARTS COMP. LIST PAGE	FIG. NO.	PARTS NUMBER	PARTS COMP. LIST PAGE	FIG. NO.
9997 11 000	94	4	9997 20 800	146- C	34			
9997 11 000	96	33	9997 21 000	296	21			
9997 11 000	99	5	9997 40 500	317	49			
9997 11 000	100	20	9997 50 400	317	51			
9997 11 000	101	29	9997 50 500C	317	54			
9997 11 000	101	30	9997 50 600	246	22			
9997 11 000	101	36	9997 50 600	247	29			
9997 11 000	104	13	9997 50 600	329	8			
9997 11 000	104	15	9997 83 200	53	37			
9997 11 000	109	30	9997 91 200	28	7			
9997 11 000	110	41						
9997 11 000	112	5						
9997 11 000	112	6						
9997 11 000	115	14						
9997 11 000	115- 2	32						
9997 11 000	146- C	25						
9997 11 000	197	25						
9997 11 000	197	28						
9997 11 000	201	37						
9997 11 000	260	3						
9997 11 200	40	10						
9997 11 200	41	29						
9997 11 200	86	3						
9997 11 200	86	8						
9997 11 200	87	18						
9997 11 200	105	32						
9997 11 200	109	27						
9997 11 200	109	28						
9997 11 200	132	4						
9997 11 400	68- U	2						
9997 11 800	70	8						
9997 12 000	95	23						
9997 12 000	99	10						
9997 20 800	76	9						

INDEX

PLANT	PLANT	PLANT	PLANT
NO.	NO.	NO.	NO.
1	1	1	1
2	2	2	2
3	3	3	3
4	4	4	4
5	5	5	5
6	6	6	6
7	7	7	7
8	8	8	8
9	9	9	9
10	10	10	10
11	11	11	11
12	12	12	12
13	13	13	13
14	14	14	14
15	15	15	15
16	16	16	16
17	17	17	17
18	18	18	18
19	19	19	19
20	20	20	20
21	21	21	21
22	22	22	22
23	23	23	23
24	24	24	24
25	25	25	25
26	26	26	26
27	27	27	27
28	28	28	28
29	29	29	29
30	30	30	30
31	31	31	31
32	32	32	32
33	33	33	33
34	34	34	34
35	35	35	35
36	36	36	36
37	37	37	37
38	38	38	38
39	39	39	39
40	40	40	40
41	41	41	41
42	42	42	42
43	43	43	43
44	44	44	44
45	45	45	45
46	46	46	46
47	47	47	47
48	48	48	48
49	49	49	49
50	50	50	50
51	51	51	51
52	52	52	52
53	53	53	53
54	54	54	54
55	55	55	55
56	56	56	56
57	57	57	57
58	58	58	58
59	59	59	59
60	60	60	60
61	61	61	61
62	62	62	62
63	63	63	63
64	64	64	64
65	65	65	65
66	66	66	66
67	67	67	67
68	68	68	68
69	69	69	69
70	70	70	70
71	71	71	71
72	72	72	72
73	73	73	73
74	74	74	74
75	75	75	75
76	76	76	76
77	77	77	77
78	78	78	78
79	79	79	79
80	80	80	80
81	81	81	81
82	82	82	82
83	83	83	83
84	84	84	84
85	85	85	85
86	86	86	86
87	87	87	87
88	88	88	88
89	89	89	89
90	90	90	90
91	91	91	91
92	92	92	92
93	93	93	93
94	94	94	94
95	95	95	95
96	96	96	96
97	97	97	97
98	98	98	98
99	99	99	99
100	100	100	100



TOYO KOGYO CO., LTD.

Printed in Japan